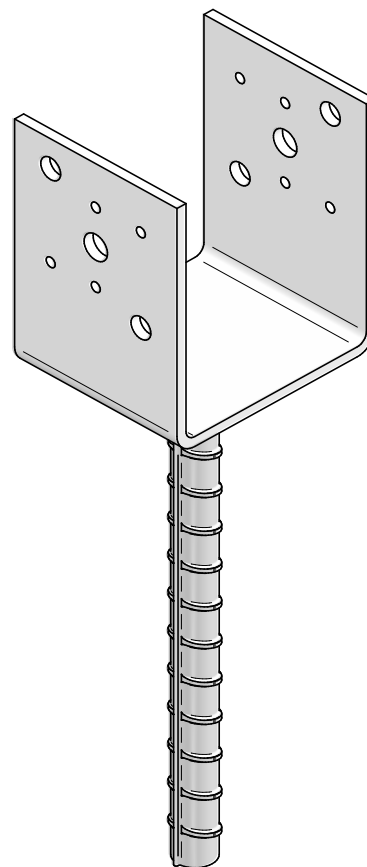
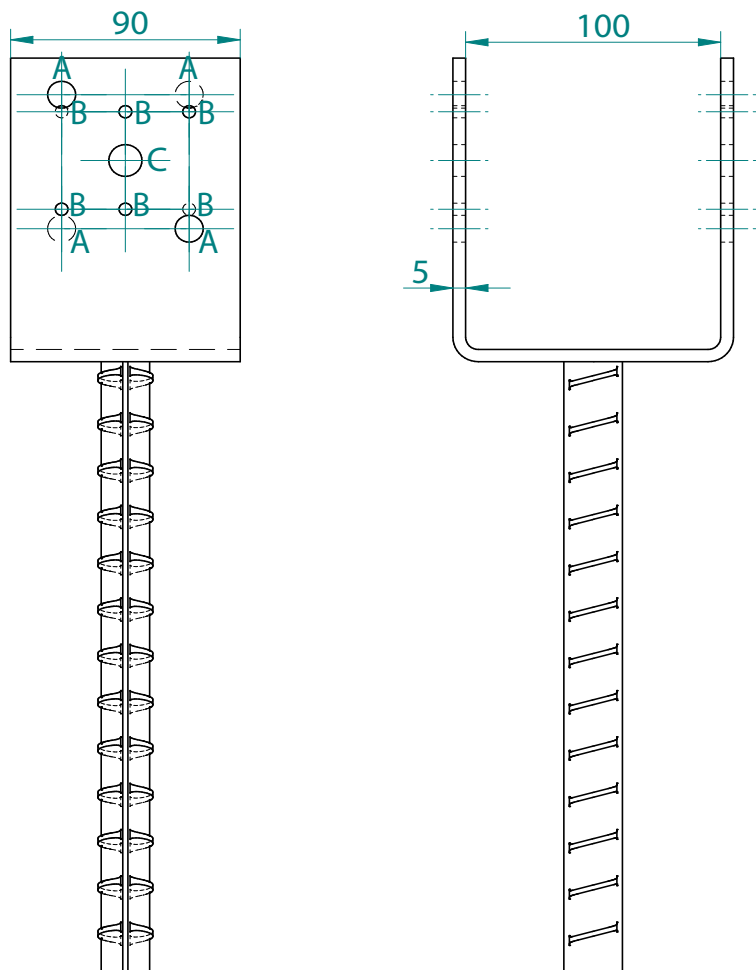


POST FOOT U-TYPE 100X90



Item number: 452306
Product name: Post foot U-type 100X90
Material: S235

Hole	Size	Quantity
A	11 mm	4
B	5 mm	6
C	13 mm	2