



Gas Tools

GT60i-NN
GT65i-DA
GT65i-RH
GT65i-RX
GT50i-AX
GT50i-N/O
GT40i-M
GT40i-SCP
GT35i-NN
SGT90i



WARNING: Please read the instructions and warnings for this tool carefully before use.
Failure to do so could lead to serious injury.

SENCO®

NFE2GT5042022

Kyocera Senco Europe
Pascallaan 88, 8218 NJ Lelystad, The Netherlands
+31 320 295 575
senco.eu

Operating Instructions
Original Instructions

Betriebsanleitung
Übersetzung der Ursprünglichen Anweisungen

Mode d'Emploi
Traduction des Instructions Originales

Gebruiksaanwijzing
Vertaling van de Oorspronkelijke Gebruiksaanwijzing

Instruções de Operação
Tradução das instruções originais

Instrucciones de Empleo
La Traducción de las Instrucciones Originales

Instruzione per l'Uso
Traduzione delle Istruzioni Originali

Οδηγίες Χρήσης
μετάφραση των αρχικών οδηγιών

Bruksvisning
Översättning av de Ursprungliga Undervisningarna

Bruksvisning
Översettelse av de Originale Instruksjonene

Käyttöohjeet
Alkuperäisten Ohjeiden Käännös

Bruksanvisning
Översættelse af de Originale Instruktationer

Инструкция по эксплуатации
Перевод оригинальной инструкции

Kasutusjuhend
Algse juhendi tõlge

Naudojimo instrukcijos
Originalios instrukcijos vertimas

Lietošanas instrukcijas
Orģinālā norādījuma tulkojums

Instrukcja Obsługi
Tłumaczenie oryginalnej instrukcji

Operativní Instrukce
Překlad původního pokynu

Navodila za Uporabo
Prevod izvirnega navodila

Használati Utasítások
Az eredeti utasítás fordítása

Návod na Používání
Překlad původního pokynu

Instrucţiuni de utilizare
Traducerea instrucţiunii originale

Инструкции за експлоатация
Превод на оригиналната инструкция

Kullanma Talimatları
Orijinal talimatların çevirisi

EN

DE

FR

NL

PT

ES

IT

GR

SE

NO

FI

DK

RU

EE

LT

LV

PL

CZ

SK

HU

SI

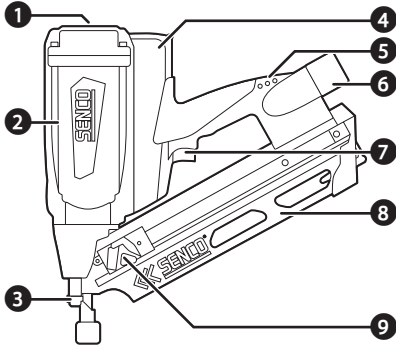
RO

BG

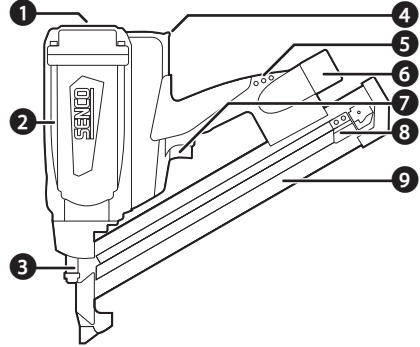
TR

1

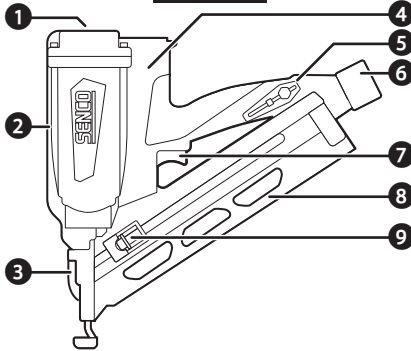
SGT90i



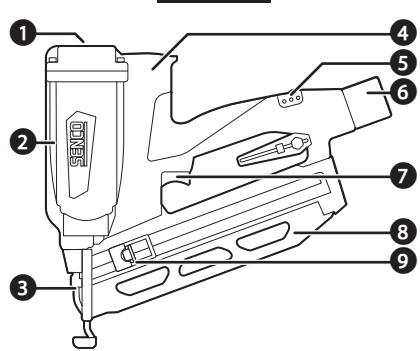
GT60i-NN



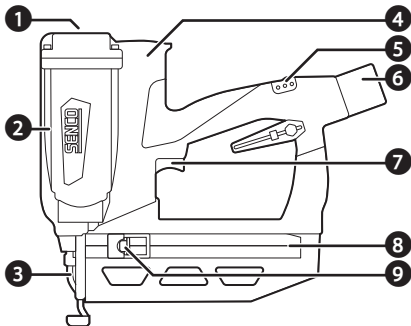
GT65i-DA



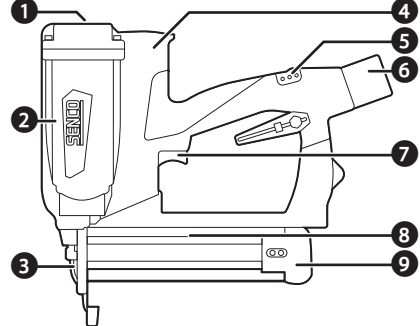
GT65i-RH



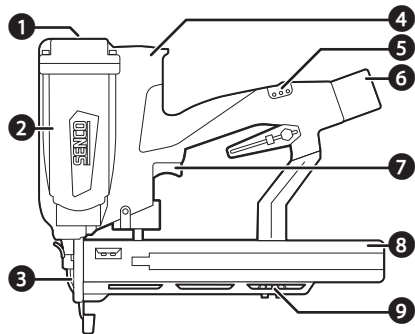
GT65i-RX



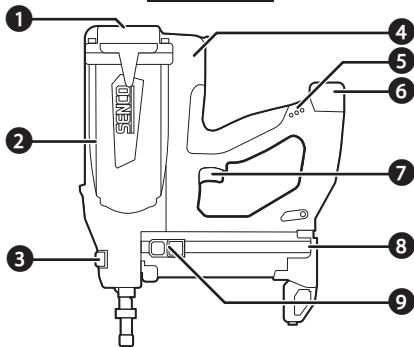
GT50i-AX



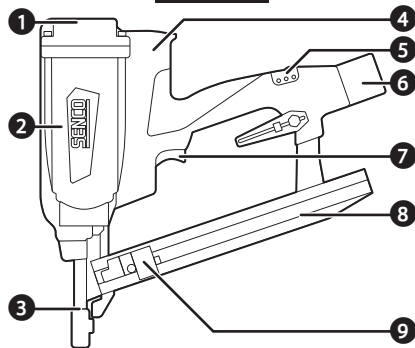
GT50i-N/O



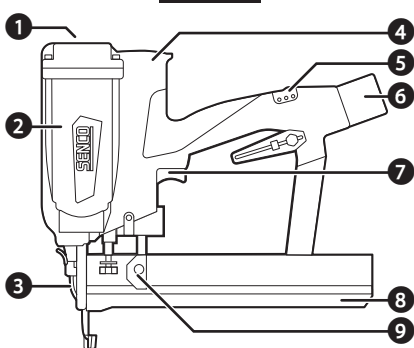
GT40i-SCP



GT35i-HN



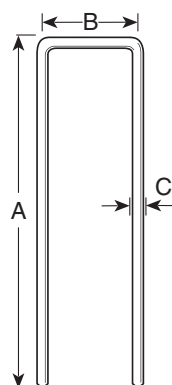
GT40i-M

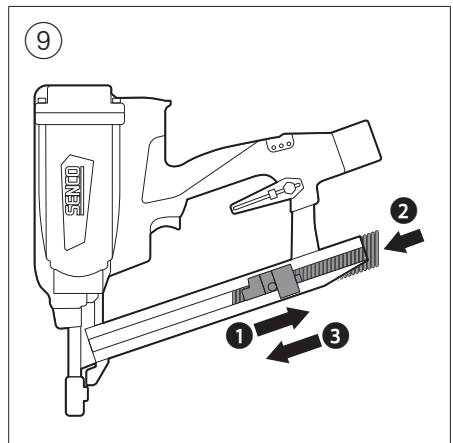
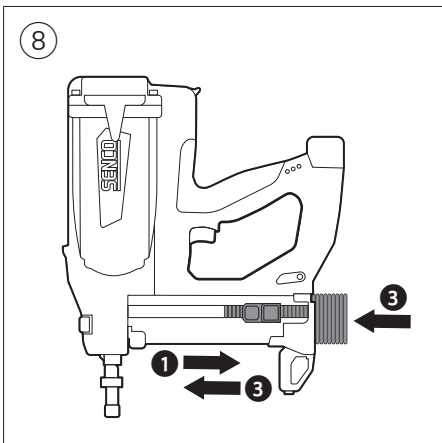
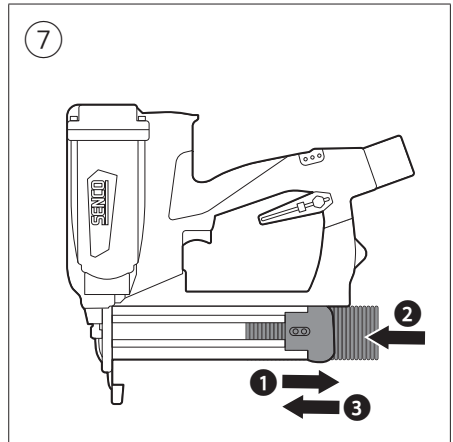
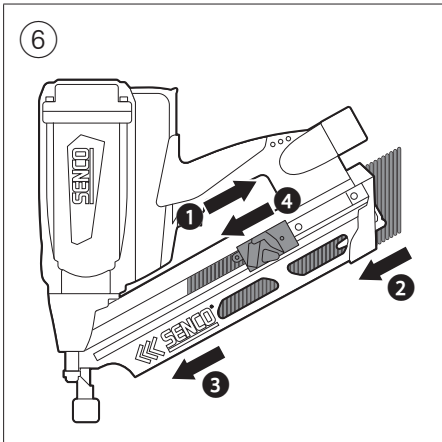
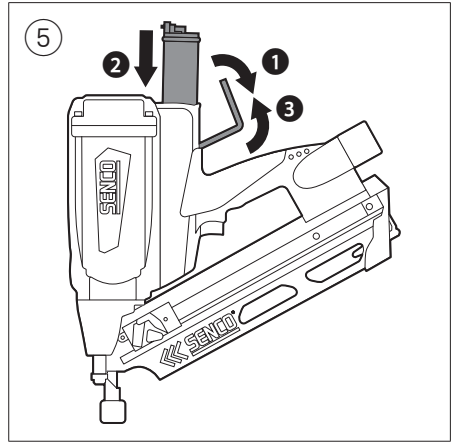
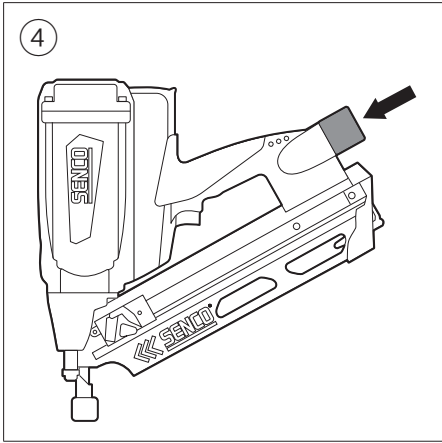


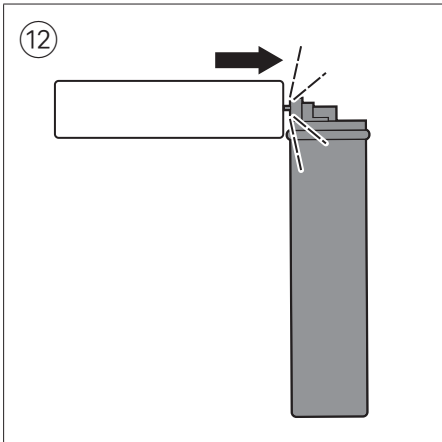
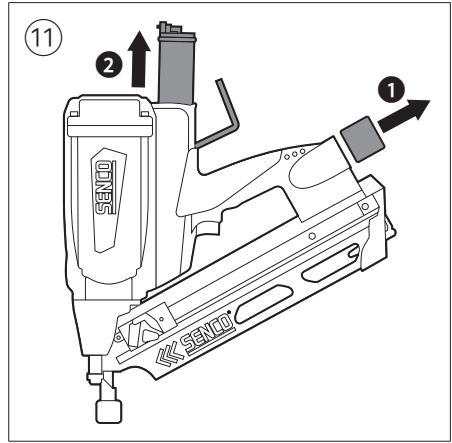
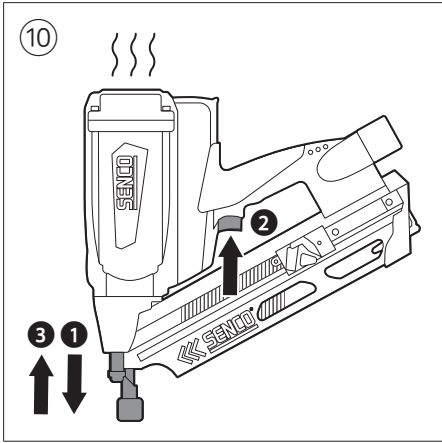
②



③







Operating Instructions

1. INTRODUCTION

1.1. Qualification of personnel

The tool may only be used by personnel that:

- is skilled and authorized
- have fully read and understood this manual
- is aware of all possible dangers and acts accordingly

1.2. Symbols used in this manual

 WARNING	Indicates a warning.
 Information	Indicates helpful information.

2. TOOL DESCRIPTION

The tool is a self-contained, fully portable fastening tool that uses liquid hydrocarbon fuel to power a linear drive internal combustion motor.

The tool ignites a fuel and air mixture to produce the energy to drive the motor, which in turn drives the fastener.

2.1. Intended & unintended use

The tool is intended as a fastening tool.

The tool is intended to be used with the fasteners specified in this manual.

The tool is intended for professional use.

The tool is intended to be used on the following materials:

	SGT90i	GT60i-NN	GT65i-DA	GT65i-RH	GT65i-RX	GT50i-AX	GT50i-N/O	GT40i-SCP	GT35i-HN	GT40i-M	GT40FS
Wood	X	X	X	X	X	X	X		X	X	X
Metal		X						X	X		X
Plastic	X		X	X	X	X	X	X	X	X	X
Concrete								X			

2.2. Main parts

See image 1.

1. Air filter
2. Motor assembly
3. Depth of drive adjustment
4. Fuel cell compartment
5. Battery indicator light
6. Battery compartment
7. Trigger
8. Magazine assembly*
9. Feeder shoe

* Magazine assembly varies between model types.

2.2.1. Accessories specifications

SENCO offers a full line of accessories for your SENC0 tools, including:

	SGT90i	GT60i-NN	GT65i-DA	GT65i-RH	GT65i-RX	GT50i-AX	GT50i-N/O	GT40i-M	GT40i-SCP	GT35i-HN	GT40FS
Charger base	VB0150EU	VB0150EU	VB0150EU	VB0150EU	VB0150EU	VB0150EU	VB0150EU	VB0150EU	VB0150EU	VB0150EU	VA0058EU
Charger adapter set wall adapter (CE)	VB0151EU	VB0151EU	VB0151EU	VB0151EU	VB0151EU	VB0151EU	VB0151EU	VB0151EU	VB0151EU	VB0151EU	VB0151EU
Charger adapter set wall adapter (UK)	VB0152EU	VB0152EU	VB0152EU	VB0152EU	VB0152EU	VB0152EU	VB0152EU	VB0152EU	VB0152EU	VB0152EU	VB0116EU
Charger adapter set wall adapter (AU/NZ)	VB0153	VB0153	VB0153	VB0153	VB0153	VB0153	VB0153	VB0153	VB0153	VB0153	N/A
Battery	VB0170EU	VB0170EU	VB0170EU	VB0170EU	VB0170EU	VB0170EU	VB0170EU	VB0170EU	VB0170EU	VB0170EU	VB0109EU
Fuel cell	PC1308P PC1307P	PC1308P PC1307P	PC1309P PC1310P	PC1309P PC1310P	PC1309P PC1310P	PC1309P PC1310P	PC1309P PC1310P	PC1309P PC1310P	PC1308P PC1307P	PC1309P PC1310P	PC1308P PC1307P

Tool cleaner for gas tools	PC1235	PC1235	PC1235	PC1235	PC1235	PC1235	PC1235	PC1235	PC1235	PC1235	PC1235
Safety glasses	PC1166	PC1166	PC1166	PC1166	PC1166	PC1166	PC1166	PC1166	PC1166	PC1166	PC1166
No-mar pad	VSP-00870	N/A	VSP-01446	HC0625	VSP-01418	VSP-01326	N/A	VSP-01032	VSP-01490	N/A	N/A

2.3. Specifications

Tool name	SGT90i	GT60i-NN	GT65i-DA	GT65i-RH	GT65i-RX	GT50i-AX	GT50i-N/O	GT40i-M	GT40i-SCP	GT35i-HN	GT40FS
Type of tool	Linear combustion										
Weight	3.49 kg	4.02 kg	2.32 kg	2.2 kg	2.2 kg	2.3 kg	2.47 kg	3.8 kg	2.26 kg	2.17 kg	3.73 kg
Size (length)	377 mm	425 mm	350 mm	350 mm	350 mm	320 mm	365 mm	432 mm	326 mm	337 mm	373 mm
Size (height)	381.5 mm	393 mm	305 mm	270 mm	270 mm	285 mm	279 mm	385 mm	309 mm	294 mm	356 mm
Size (width)	108 mm	108 mm	96 mm	96 mm	96 mm	86 mm	86 mm	130 mm	86 mm	86 mm	108 mm
Magazine capacity	70	30	110	100	100	100	140	40	100	175	78
Average drives per battery charge	8000										
Average drives per fuel cell	1200*										
Actuation mode	Sequential										
Noise (LpA)	96.2 dBA	101.2 dBA	89.4 dBA	93.6 dBA	92.7 dBA	98.1 dBA	93.7 dBA	101.5 dBA	94.7 dBA	87.8 dBA	97.2 dBA
Noise (LwA)	100.8 dBA	107.3 dBA	96.8 dBA	99.6 dBA	100.6 dBA	104.4 dBA	97.5 dBA	104.1 dBA	98.5 dBA	100.8 dBA	100.2 dBA
Noise (LpC)	<130 dB										
Vibration	2.67 m/s ²	2.5 m/s ²	1.96 m/s ²	1.8 m/s ²	1.9 m/s ²	2.19 m/s ²	1.78 m/s ²	2.83 m/s ²	1.82 m/s ²	2.02 m/s ²	4.5 m/s ²
Recommended Senco lubricant	Included in propellant fuel cell										
Recommended max. drives/hr	500										

* Temperature and elevation dependent

2.3.1. Noise information

Noise values are tool-related characteristic values and do not accurately represent noise developed at the point of use. Workplace design can also serve to reduce noise levels, for example placing work-piece on sound-damping supports.

2.3.2. Vibration information

Vibration values are a tool-related characteristic values and do not accurately represent the influence to the hand-arm system when using the tool.

2.3.3. Senco fastener specifications

See image 2.

	GE	GC	HC	HE	KC
Size (length)	A 50 - 60 mm	57 - 65 mm	75 mm	75 mm	75 - 90 mm
Size (diameter)	B 2.9 mm	2.9 mm	3.1 mm	3.1 mm	3.3 mm
Collation angle	C 34°	34°	34°	34°	34°
Shank finish	D Ring	Smooth	Smooth	Ring	Smooth

	GT60i-NN	GT65i-DA	GT65i-RH	GT65i-RX	GT50i-AX	GT35i-HN	GT40i-SCP
Size (length)	A 38 - 64 mm	32 - 63 mm	32 - 65 mm	19 - 65 mm	15 - 50 mm	22 - 35 mm	15 - 40 mm
Size (diameter)	B 3.3 - 4.3 mm	1.8 mm	1.6 mm	1.6 mm	1.2 mm	2.5 - 2.8 mm	2.7 - 3.1 mm
Collation angle	C 34°	34°	20°	0°	0°	20°	0°

See image 3.

	GT50i-N	GT50i-O	GT40i-M	GT40FS
Size (length)	A 25 - 45 mm	25.4 - 50.8 mm	10 - 38 mm	33 - 40 mm
Crown (width)	B 10.6 mm	10.6 mm	10.6 mm	12.2 mm
Size (diameter)	C 1.6 mm	1.4 mm	1.2 mm	3.1 mm











3. SAFETY

3.1. Safety precautions

The tool has a safety lock-out feature, which leaves a few fasteners in magazine and will not actuate.

The tool has a safety system, which needs to be depressed before the trigger can be pulled.

3.2. Safety symbols & markings on the tool

Symbol	Explanation
	Read and understand tool labels and manual. Failure to follow warnings could result in DEATH or SERIOUS INJURY.
	Risk of electric shock.
	Risk of fire.
	Under abusive conditions, liquid may be ejected from the battery; avoid contact. If contact accidentally occurs, flush with water. If liquid contacts eyes, seek medical help. Liquid ejected from the battery may cause irritation or burns.
	Use ANSI Z87.1 safety glasses with permanently attached side shields.
	Use hearing protection.
	Do not expose the tool/battery/fuel cell to temperatures above 120°F (50°C). Overheating the tool/battery/fuel cell could result in an explosion, fire or release of flammable gas.
	The tool is a class II tool.
	The tool is CE certified. KYOCERA SENCO Netherlands B.V., Pascallaan 88, 8218 NJ Lelystad, The Netherlands
	The tool is UKCA certified. KYOCERA SENCO UK Ltd., 630 Europa Boulevard, Warrington WA5 7YH, United Kingdom

3.3. Personal protection

Use personal protective equipment. Always wear eye protection. Protective equipment such as dust mask, non-skid safety shoes, hard hat, or hearing protection used for appropriate conditions will reduce personal injuries.

3.4. Safety instructions

⚠ WARNING Read all safety warnings and all instructions. Failure to follow the warnings and instructions may result in electric shock, fire and/or serious injury.

Safe all warnings and instructions for future reference

The term "power tool" in the warnings refers to your mains-operated (corded) power tool or battery-operated (cordless) power tool.

3.4.1. General safety

- **Explosion hazard. Never use the power tool in an explosive atmosphere or in the presence of combustible materials such as flammable liquids, gases or dust.** Exhaust or sparks from the power tool may ignite atmospheric gases, dust or other combustible materials. **Do not smoke while using or handling the power tool or fuel cell.**
- **Use and store the power tool and fuel cells in well ventilated areas only. Do not inhale gas, exhaust or fumes.** Exposure to the exhaust which contains carbon monoxide may cause nausea, dizziness, unconsciousness or other personal injury.
- **Always keep power tools, fuel cells, battery cells and battery chargers out of the reach of minors and other untrained persons.** Power tools are dangerous in the hands of untrained users.

3.4.2. Work area safety

- **Keep work area clean and well lit.** Cluttered or dark areas invite accidents.
- **Do not operate power tools in explosive atmospheres, such as in the presence of flammable liquids, gases or dust.** Power tools create sparks which may ignite the dust or fumes.
- **Keep children and bystanders away while operating a power tool.** Distractions can cause you to lose control.

3.4.3. Electrical safety

- **Power tool plugs must match the outlet. Never modify the plug in any way. Do not use any adapter plugs with earthed (grounded) power tools.** Unmodified plugs and matching outlets will reduce risk of electric shock.
- **Avoid body contact with earthed or grounded surfaces, such as pipes, radiators, ranges and refrigerators.** There is an increased risk of electric shock if your body is earthed or grounded.
- **Do not expose power tools to rain or wet conditions.** Water entering a power tool will increase the risk of electric shock.
- **Do not abuse the cord. Never use the cord for carrying, pulling or unplugging the power tool. Keep cord away from heat, oil, sharp edges or moving parts.** Damaged or entangled cords increase the risk of electric shock.
- **When operating a power tool outdoors, use an extension cord suitable for outdoor use.** Use of a cord suitable for outdoor use reduces the risk of electric shock. **When operating a power tool outside, use an outdoor extension cord marked "W-A" or "W".** These cords are rated for outdoor use and reduce the risk of electric shock. When using an extension cord, be sure to use one heavy enough to carry the current your tool will draw. An undersized cord will cause a drop in line voltage resulting in loss of power and overheating.
- **If operating a power tool in a damp location is unavoidable, use a residual current device (RCD) protected supply.** Use of an RCD reduces the risk of electric shock.

3.4.4. Personal safety

- **Stay alert, watch what you are doing and use common sense when operating a power tool. Do not use a power tool while you are tired or under the influence of drugs, alcohol or medication.** A moment of inattention while operating power tools may result in serious personal injury.

- **Use personal protective equipment. Always wear eye protection.** Protective equipment such as dust mask, non-skid safety shoes, hard hat, or hearing protection used for appropriate conditions will reduce personal injuries.
- **Prevent unintentional starting. Ensure the switch is in the off-position before connecting to power source and/or battery pack, picking up or carrying the power tool.** Carrying power tools with your finger on the switch or energising power tools that have the switch on invites accidents.
- **Remove any adjusting key or wrench before turning the power tool on.** A wrench or a key left attached to a rotating part of the power tool may result in personal injury.
- **Do not overreach. Keep proper footing and balance at all times.** This enables better control of the power tool in unexpected situations.
- **Dress properly. Do not wear loose clothing or jewellery. Keep your hair, clothing and gloves away from moving parts.** Loose clothes, jewellery or long hair can be caught in moving parts.
- **If devices are provided for the connection of dust extraction and collection facilities, ensure these are connected and properly used.** Use of dust collection can reduce dust-related hazards.

3.4.5. Power tool use and care

- **Do not force the power tool. Use the correct power tool for your application.** The correct power tool will do the job better and safer at the rate for which it was designed.
- **Do not use the power tool if the switch does not turn it on and off.** Any power tool that cannot be controlled with the switch is dangerous and must be repaired.
- **Disconnect the plug from the power source and/or the battery pack from the power tool before making any adjustments, changing accessories, or storing power tools.** Such preventive safety measures reduce the risk of starting the power tool accidentally.
- **Store idle power tools out of the reach of children and do not allow persons unfamiliar with the power tool or these instructions to operate the power tool.** Power tools are dangerous in the hands of untrained users.
- **Maintain power tools. Check for misalignment or binding of moving parts, breakage of parts and any other condition that may affect the power tool's operation. If damaged, have the power tool repaired before use.** Many accidents are caused by poorly maintained power tools.
- **Keep cutting tools sharp and clean.** Properly maintained cutting tools with sharp cutting edges are less likely to bind and are easier to control.
- **Use the power tool, accessories and tool bits etc. in accordance with these instructions, taking into account the working conditions and the work to be performed.** Use of the power tool for operations different from those intended could result in a hazardous situation.

3.4.6. Service

- **Have your power tool serviced by a qualified repair person using only identical replacement parts.** This will ensure that the safety of the power tool is maintained.

3.4.7. Tool safety

- **Always assume that the power tool contains fasteners.** Careless handling of the tacker can result in unexpected firing of fasteners and personal injury.
- **Do not point the power tool towards yourself or anyone nearby.** Unexpected triggering will discharge the fastener causing an injury.

3.4.7.1. Before use

- **Remove all fasteners from the tool before inserting the battery and fuel cell.** The tool may eject a fastener when the battery and fuel cells are inserted.
- **Never use the tool if the safety, trigger or springs have become inoperable, missing or damaged.** Do not tamper with or remove safety element, trigger, or springs.
- **Make sure all screws and caps are securely tightened at all times.** Make daily inspections for free movement of trigger and safety. Never use the tool if parts are missing or damaged.
- **Use only parts, fasteners, and accessories recommended or sold by SENCO.** Do not modify tool without authorization from SENCO.
- **Do not use the power tool without warning label on power tool.** If a label is missing, damaged or unreadable, contact your SENCO representative to obtain a new label at no cost.

3.4.7.2. During use

- **Do not actuate the tool unless the tool is placed firmly against the workpiece.** If the tool is not in contact with the workpiece, the fastener may be deflected away from your target.
- **Do not use this tool for fastening electrical cables.** It is not designed for electric cable installation and may damage the insulation of electric cables thereby causing electric shock or fire hazards.
- **Drive fasteners into appropriate work surfaces only; never into materials too hard to penetrate; materials too soft may allow a fastener to drive through and exit the material.** Do not actuate the tool unless the tool is placed firmly against the workpiece.
- **Do not drive fasteners close to the edge of the work surface.** The workpiece is likely to split and the fastener could fly free or ricochet and hit someone.
- **Do not drive fasteners on top of other fasteners or with the tool at too steep of an angle.** The fastener could fly free or ricochet and hit someone.
- **Never use any part of the tool (i.e., the cap or main body) as a hammer.** The tool may activate or become damaged and result in an unsafe condition.
- **Keep hands and other body parts away from the safety area of tool to avoid possible injury during operation.**
- **When using tool, care should be taken due to possibility of tool recoil after a fastener is driven.** If safety is unintentionally allowed to re-contact work surface following a recoil, an unwanted fastener may be driven. Therefore, allow tool to recoil completely off work surface after a fastener is driven to avoid this condition. Do not push safety on work surface until a second fastener is desired.
- **Disconnect the tool from the power source when the fastener jams in the tool.** While removing a jammed fastener, the tacker may be accidentally activated if it is plugged in.

3.4.7.3. After use

- **Do not perform any emergency repairs without proper tools and equipment.** The written approval of the tool manufacturer must be obtained prior to making any modifications to the tool.
- **Remove the battery and fuel cell from the tool before doing tool maintenance, clearing a jammed fastener, leaving work area, moving tool to another location, or handing the tool to another person.**
- **Use clamps or other practical ways to secure and support the workpiece to a stable platform.** Holding the work by hand or against your body is unstable and may lead to loss of control and personal injury.
- **Use only non-flammable cleaning solutions. Do not soak.** Such solutions may damage O-rings and other tool parts.

3.4.8. Fuel cell safety

- **Fuel cell contains flammable gas and lubricant for tool.** Use only fuel cells that are recommended by the manufacturer for your model. Read the Safety Data Sheet (SDS) for more information on contents of fuel cell.
- **Do not incinerate, reclaim or recycle the fuel cell.** Dispose of empty fuel cell in accordance with local, state and federal laws.
- **Do not puncture or attempt to open the fuel cell.** Accessories that may be suitable for one tool may create a risk of injury when used on another tool. Fuel cell contains flammable gas even if it appears empty.
- **Extremely flammable. The fuel cell is liquified gas under pressure. Keep away from all sources of ignition such as flames, sparks, pilot lights, static discharge and hot surfaces.** Do not spray contents, puncture, crush or attempt to open fuel cell. Do not incinerate, recycle, reclaim or re-use fuel cell container.
- **First aid:** for exposure to fuel,
 - **Eye** - flush with plenty of water
 - **Skin** - wash with soap and water
 - **Inhalation** - move patient to fresh air, provide artificial respiration. Seek medical attention if symptoms are severe or persistent. If necessary Consult Material Safety Data Sheet for additional information.

3.4.9. Battery and charger safety

- Do not dismantle, open or shred secondary cells or batteries.
- **Do not expose cells or batteries to heat or fire.** Avoid storage in direct sunlight.
- **Do not short-circuit a cell or a battery.** Do not store cells or batteries haphazardly in a box or drawer where they may short-circuit each other or be short-circuited by other metal objects.
- **Do not remove a cell or battery from its original packaging until required for use.**
- **Do not subject cells or batteries to mechanical shock.**
- **In the event of a cell leaking, do not allow the liquid to come in contact with the skin or eyes.** If contact has been made, wash the affected area with copious amounts of water and seek medical advice.
- **Observe the plus (+) and minus (–) marks on the cell, battery and equipment and ensure correct use.**
- **Do not use any cell or battery which is not designed for use with the tool.**
- **Battery usage by children should be supervised.**
- **Seek medical advice immediately if a cell or a battery has been swallowed.**
- **Wipe the cell or battery terminals with a clean dry cloth if they become dirty.**
- **Secondary cells and batteries need to be charged before use.** Always use the correct charger and refer to the manufacturer's

- instructions or equipment manual for proper charging instructions.
- **Do not leave a battery on prolonged charge when not in use.**
- **After extended periods of storage, it may be necessary to charge and discharge the cells or batteries several times to obtain maximum performance.**
- **Use only the cell or battery in the application for which it was intended.**
- **When possible, remove the battery from the tool when not in use.**
- **Use only batteries that are recommended by the manufacturer for your model.** Accessories that may be suitable for one tool may create a risk of injury when used on another tool.
- **Do not incinerate the battery.** Dispose of, or recycle battery in accordance with local, state and federal laws.
- **Do not puncture or attempt to open battery or battery charger.**
- **Do not immerse battery or battery charger in water.** Do not expose battery or battery charger to water, rain or snow.
- **Do not allow metal objects to come in contact with battery terminals.**
- **Under abusive conditions, liquid may be ejected from the battery; avoid contact.** If contact accidentally occurs, flush with water. If liquid contacts eyes, seek medical help. Liquid ejected from the battery may cause irritation or burns.
- **Only allow children at least 8 years old to use the battery charger.** Give sufficient instruction so that the child is able to use the battery charger in a safe way and explain that it is not a toy and must not be played with.
- **Eruption hazard.** Never recharge non-rechargeable batteries.
- **Do not use any charger other than that specifically provided for use with the equipment.**
- **Explosion hazard.** Never use battery charger in an explosive atmosphere or in the presence of combustible materials such as flammable liquids, gases or dust.
- **Do not use a defective battery charger, one that over-heats and/or smokes when plugged in.**
- **Do not operate the charger with a damaged cord or plug.** If damaged, have the cord or plug replaced immediately by a qualified serviceman.
- **Do not operate the charger if it has received a sharp blow, been dropped, or otherwise damaged in any way; take it to a qualified serviceman.**
- **To reduce risk of electric shock, unplug the charger from the outlet by pulling the plug.** Do not unplug the charger by pulling on cord.
- **Do not allow anything to cover the battery charger.**
- **Do not attempt to use a step-up transformer, an engine generator or DC power receptacle.**

4. USE

Read chapter "Safety instructions" before using the tool.

4.1. Loading the battery

See image 4.

1. Load the battery with contacts first into the tool.
2. Push the battery fully forward into locked position. Use only SENCO batteries.

State of charger indicator

State	Red LED	Green LED
Idle – Input power available	ON	OFF
Battery pack installed and charging	ON	OFF
Battery pack at full charge	OFF	ON
Overheating protection	Blinking (ON 0.5 s / OFF 0.5 s)	Blinking (ON 0.5 s / OFF 0.5 s)
Over charge time	Blinking (ON 0.5 s / OFF 0.5 s)	Blinking (ON 0.5 s / OFF 0.5 s)

- ❶ A new battery will take 1.5 hours to charge.
- 3. When a fully charged SENCO battery is inserted into the tool, the indicator light will flash green. If the light is red, the battery needs charging.

4.2. Loading the fuel cell

See image 5.

 Read the instructions of the fuel cell.

1. Remove the fuel cell cap. Use only SENCO fuel cells.
 2. Press down on the front side of the valve (stem side) until it seats.
 3. Press down on the rear side of the valve until it seats. The valve is now seated on the fuel cell and can be inserted into the tool.
 4. Open the fuel cell door at top of the tool.
 5. Insert the fuel cell/valve assembly with the metering valve stem pointed toward the front of the tool.
- ❶ Make sure the valve stem is properly aligned with the small orifice when inserting the SENCO fuel cell.
6. Close the fuel cell cover.

4.3. Loading the fasteners

SGT90i, GT60i-NN, GT40i-SCP, GT65i-DA, GT65i-RX, GT65i-RH

See image 6.

1. Pull the feeder shoe back.
 2. Insert a strip of fasteners through the opening in the rear of the magazine.
 3. Push the strip of fasteners forward.
 4. Release the feeder shoe.
- ❶ The tool has a safety lock-out feature, which leaves a few fasteners in magazine and will not actuate.

GT50i-AX

See image 7.

1. Depress the magazine catch to pull the cover back.
2. Insert a strip of fasteners into the side of the magazine.
3. Push the magazine cover forward.

GT50i-N/O, GT40i-M, GT40FS

See image 8.

1. Pull the feeder shoe back.
2. Insert a strip of fasteners through the opening in the top of the magazine.
3. Release the feeder shoe.

GT35i-HN

See image 9.

1. Pull the feeder shoe back.
 2. Insert a strip of fasteners through the opening in the rear of the magazine.
 3. Push the button to release the feeder shoe. The feeder shoe moves to the strip of fasteners.
- ❶ The tool has a safety lock-out feature, which leaves a few fasteners in magazine and will not actuate.

4.4. Using the tool

See image 10.

1. Press the safety against the work surface, fuel is injected into the combustion chamber and mixed with air.
2. With the safety against work surface, squeeze the trigger. A spark ignites the fuel/air mixture. The combustion powers the piston assembly and drives the fastener.
3. Lift the tool, release the trigger and the combustion chamber will open. The fan exhausts the hot gas and cools the internal parts.

GT65i-DA, GT65i-RH, GT65i-RX, GT50i-AX, GT50i-N/O, GT40i-SCP, GT35i-HN

- ❶ The fan will run for approximately 3 seconds after the drive. This is normal.


4.5. Removing jammed fasteners

SGT90i, GT60i-NN

 Before attempting to remove a jammed fastener, remove fuel cell and battery.

1. With your finger away from the trigger, remove the fastener strip from magazine.
2. Remove the jammed fasteners with pliers.
3. Reload the strip of fasteners.
4. Reload the fuel cell and the battery.

GT65i-DA, GT65i-RH, GT65i-RX, GT50i-AX, GT50i-N/O, GT40i-M

 Before attempting to remove a jammed fastener, remove fuel cell and battery.

1. Pull the feeder shoe back into locked position and remove fasteners.
2. Release the E-Z clear latch and open the door.
3. Remove the jammed fastener.
4. Close the door and the latch.
5. Reload the fuel cell and the battery.

GT40i-SCP

 Before attempting to remove a jammed fastener, remove fuel cell and battery.

1. With your finger away from the trigger, remove the fastener strip from magazine.
2. Open the jam-clearing door.
3. Remove the jammed fasteners with pliers.
4. Reload the strip of fasteners.
5. Reload the fuel cell and the battery.

GT35i-HN

 Before attempting to remove a jammed fastener, remove fuel cell and battery.

1. With your finger away from the trigger, remove the fastener strip from magazine.
2. Open the front gate.
3. Remove the jammed fasteners with pliers.
4. Close the front gate.
5. Reload the strip of fasteners.
6. Reload the fuel cell and the battery.

5. MAINTENANCE

Read chapter "Safety instructions" before maintaining the tool.

- ❶ The fastener driving tool should be serviced properly and at regular intervals in accordance with the manufacturer's instructions.

5.1. Daily maintenance

See image 11.

1. With the tool unpowered, make a daily inspection to assure free

movement of the safety element and the trigger. Do not use the tool if the safety element or the trigger sticks or binds.

2. Wipe the tool clean daily and inspect for wear.
3. Always remove the battery and the fuel cell at end of day and before storing the tool in the tool case. Always store and transport in original SENCO tool case.

5.2. Every other day maintenance

The air filter at the top of the tool should be cleaned every two days.

Extremely dusty or debris-filled environments may cause the tool to need cleaning more often.

5.3. Quarterly maintenance

SENCO recommends the combustion chamber be cleaned on average every 3 months or, once 8-9 fuel cells (10,000 shots) have been used in the tool.

5.4. Testing the fuel cell

See image 12.

⚠ Never perform this test near an open flame, sparks or while smoking or where fuel may get in your eyes.

⚠ Wear safety glasses when performing this test.

1. To determine if fuel cell has any fuel inside, hold the fuel cell in upright position and place a solid object against the metering stem.
2. Push on the cap of the fuel cell to engage the nozzle.
3. Gently depress the nozzle, a small amount of fuel should be released.
4. If no fuel is released, dispose of the fuel cell properly.

6. TROUBLESHOOTING

Problem	Cause	Solution
Red LED indicator light is on and the tool did not operate.	Battery might be too low.	Replace the battery with a fully charged one.
Tool operates normally but did not drive the fastener to flush.	The depth of drive setting is not deep enough.	Adjust the depth of drive setting to deepest setting.
	The cylinder is dirty.	Clean the cylinder with proper cleaner.
	The battery is empty.	Check the battery and replace if required.
	The fuel cell has run out of fuel.	Replace the fuel cell with a new one.
	The seal is leaking over the combustion chamber.	Depress the safety and hold for 1 minute before activating the trigger. If the tool did not fire, there might be a seal leaking over the combustion chamber. Send the tool to service centre near you.
Fan does not run or runs slower than normal and the indicator light is red.	The battery is empty.	Replace the battery with a fully charged one.
		If all of the above did not work, send the tool to a service centre near you.
Battery does not accept charge or the charger gets hot when charging.	The battery is damaged, exhausted, has not enough time to charge or is too cold.	Monitor the charging time to ensure that the battery has adequate time for recharging.
		Replace the battery with a fully charged one.
		Replace the charger if the battery works fine on tool but cannot be charged on charger.
		Warm the battery indoors.
Charger gets hot, makes noise or starts to smoke.	The charger is damaged and should not be used any more.	Unplug the charger immediately and replace it with a new charger.
Work contact element is not fully depressed and the tool cannot be used.	The work contact element is bend or the track of the safety mechanism is sticky to the dirt build up.	Clean the safety track. Repair or replace the work contact element.
	The lock out mechanism is active.	Load more fasteners.
Tool will not cycle, the indicator LED is green and the fan runs.	The spark wire is loose.	Check the spark wire by removing the cap.
	The spark plug is dirty.	Clean the spark plug.
	The fuel cell has run out of fuel.	Replace the fuel cell with a new one.
	The spark plug is broken.	Replace the spark plug.
	The cylinder head and spark plug are dirty.	Clean the cylinder head and spark plug.
	The safety is not completely engaged.	Engage the safety completely.
	The magazine has less than 6 fasteners in it.	Make sure the magazine contains at least 7 or more fasteners.
		If all of the above did not work, send the tool to a service centre near you.
Tool operates normally, but no fastener is driven.	The wrong type of fasteners was used.	Change to the correct type of fastener.
	The cylinder is dirty.	Clean the cylinder with proper cleaner.
	A fastener is jammed.	Clear the jammed fastener before use.
	The fastener pusher did not engage properly with the fastener strip.	Adjust to fully engagement.

Combustion chamber is not returning to start position.	The work contact element is bending or dirty. Check the work contact element and repair or replace it.	Clean the safety track.
Driver did not return to initial position.	The battery is empty.	Replace the battery with a fully charged one.
	The tool is dirty.	Clean the tool with proper cleaning fluid.
	The piston ring has worn out.	Check for piston ring wear status.
	The tool may be overheated.	Clean or replace the air intake filter.
	The driver blade and the nose bore are dirty.	Clean the driver blade and the nose bore with degreaser cleaner.
Tool appears to be losing power.	The fuel cell has run out of fuel.	Replace the fuel cell with a new one.
	The tool may be overheated.	Clean or replace the air intake filter.
	The spark wire is loose.	Check the spark wire by removing the cap.
	The tool is dirty.	Clean the tool with proper cleaning fluid.
Safety does not depress fully, tool does not operate.	The safety is unable to free up.	If all of the above did not work, send the tool to a service centre near you.
	The safety is dirty.	Clean and lubricate track with SENCO oil.
	The safety is broken.	Replace safety.
	The feeder shoe is in the wrong position.	Position the feeder shoe behind the fasteners.
Tool operates properly, but fasteners are sometimes overdriven and sometimes underdriven.	The fasteners do not meet the specifications.	Use fasteners that meet the specifications.
	The feeder shoe is in the wrong position.	Position the feeder shoe behind the fasteners.
	A fastener is jammed.	Clear the jammed fastener before use.

For failure other than above situation, stop using the tool and contact your local dealer for service.

7. WARRANTY

Considering the following constraints SENCO underwrites the reliability and the quality of its supplied authorised SENCO branded products.

- SENCO warrants to the end user that the following products will be free from defects in construction, assembly and material for the warranty period specified below.

Product	Warranty period
SENCO® XP Series-Red Cap, pneumatic tools	Five years
SENCO Pro Series, pneumatic tools	One year
SENCO Semi-Pro Series, pneumatic tools	One year
SENCO Black Label Series, pneumatic tools	One year
SENCO DuraSpin® Series, electric and battery tools	One year
SENCO DuraSpin® Series 2020, electric and battery tools Senco Cordless battery tools	Five years
Senco Cordless battery tool	Two years
SENCO batteries and chargers for tools	One year
SENCO gas tools	Two years
SENCO reconditioned products	One year
SENCO compressors	One year
SENCO rebar tying tools	One year
SENCO smart solutions	One year
SENCO hogging tools	One year
SENCO other tools	One year

- The warranty period starts on the day the end user purchases the product and/or 1 year after the tool has been deleted from the product line, whichever date comes first.
- To claim warranty the end user needs to send the defective products or their parts, including the serial number and the original and dated sales

receipt or proof of purchase from the original retailer or dealer, freight prepaid to the original retailer or dealer.

- SENCO is not obliged to do any repairs or replacements on any products or their parts on site.
- During the warranty period SENCO or its distributors will repair or replace defective products or their parts, exclusively or mainly as a result of an imperfection in construction, assembly or material, at SENCO's option and expense, subject to the constraints of this warranty policy.
- The repair or replacement of products or their parts under warranty, does in no case lead to prolongation of the warranty period. For every replacement product or part, the remaining original warranty period of the replaced product or part is applicable.
- SENCO will become the owner of the products or parts that have been replaced by SENCO or its distributors as a result of being compliant to SENCO's warranty, without being obligated any compensation in this matter.
- Excluded from the warranty are:
 - normal wear and tear parts, for example rubber o-rings, seals, driver blades, piston stops, piston/driver assemblies, isolators, drive belts, air filters and fuel systems, bits;
 - any imperfection that is a result of or has evolved from the fact that there has not been used clean, dry regulated compressed air and/or the air pressure applied has exceeded the maximum indicated on the tool casting (pneumatic tools);
 - any imperfection that is a result of or has evolved from normal wear, misapplication, abuse/misuse, improper modifications or storage, shipping/transport, accidents, neglect, operation at other than recommended speeds or voltage (electric units only);
 - any imperfection that is a result of or has evolved from explosions, fires and natural disasters, like hurricanes, floods and earthquakes;
 - any imperfection that is a result of or has evolved from not following operating instructions, specifications and / or

maintenance schedules. Read the Operator Manual for use, specifications and maintenance instructions;

- any imperfection that is caused by repairs, modifications to the product or attempts to do so by the end user or any third party;
- labour charges or loss or damage resulting from improper operation, maintenance or repairs are not covered by this warranty
- any warranty claims that have been received after the warranty period, as specified in this end user warranty, has expired.
- Additional costs like shipping/transport, special packaging requirements and costs of travel and accommodation, are at the end users expense.
- If a complaint is unfounded, all costs incurred thereby, including handling, inspection, shipping and administrative costs on the side of SENCO or its distributors, will be charged to the end user.
- After expiration of the warranty period, all costs for repair or

replacement, including handling, inspection, shipping and administrative costs will be charged to the end user.

- Notwithstanding legal limitation periods, the limitation of all claims and appeals against SENCO and third parties involved by SENCO for the implementation of the agreement is one year.
- If SENCO fails to meet this agreement, it will not discharge the end user from the obligations arising under this or any other contract.
- When the warranty terms cannot be met, due to for example import or export prohibitions, strikes or other unforeseen circumstances, the warranty period will be extended accordingly.
- SENCO's liability is limited to the warranty. SENCO is not liable for damage caused by the functioning or non-functioning of the products as delivered, repaired or modified by SENCO or its distributors, including but not limited to, production losses, profit losses, reduced working range, commercial losses or consequential damages or indirect damages whatsoever.

8. DISPOSAL

- This tool should not be thrown away with other household waste throughout the EU. To prevent possible harm to the environment or human health by uncontrolled waste disposal, you are responsible for recycling it so that it can promote the sustainable reuse of raw materials. To return your used tool, you can use the regular return and collection systems or contact the store where the tool was purchased.

They can recycle this tool for the environment.

- Dispose of the empty fuel cell in accordance with local, state and federal laws.
- Dispose of, or recycle the battery in accordance with local, state and federal laws.

9. DECLARATION OF CONFORMITY

We

KYOCERA SENCO Netherlands B.V.
Pascallaan 88
8218 NJ Lelystad, The Netherlands

declare under our sole responsibility that:

SGT90I, GT60i, GT65i-DA, GT65i-RH, GT65i-RX, GT50i-AX, GT50i-N/O, GT40i-M, GT40i-SCP

in accordance with the following directive(s):

2006/42/EC	2014/30/EU	012/19/EU
2014/35/EU	2011/65/EU	

is in conformity with the applicable essential health and safety requirements of the following documents:

EN ISO 12100	ISO 8662-11+A1	EN 50581
EN 792-13+A1	EN 60745-1	EN 60335-2-29
EN 12549+A1	EN 60745-2-16	EN 62133

AZ/NZ:

IEC62133	60335.1:2011-A1-4	AS/NZS CISPR 14.1
UN38.3	ENS5014-1	
60335.2.29.2017	ENS5014-2	

Signed by: Tim Lansing

Position: Technical

Place of DOC: KYOCERA SENCO Netherlands B.V., Pascallaan 88, 8218 NJ Lelystad, The Netherlands

On date: 21/12/2021