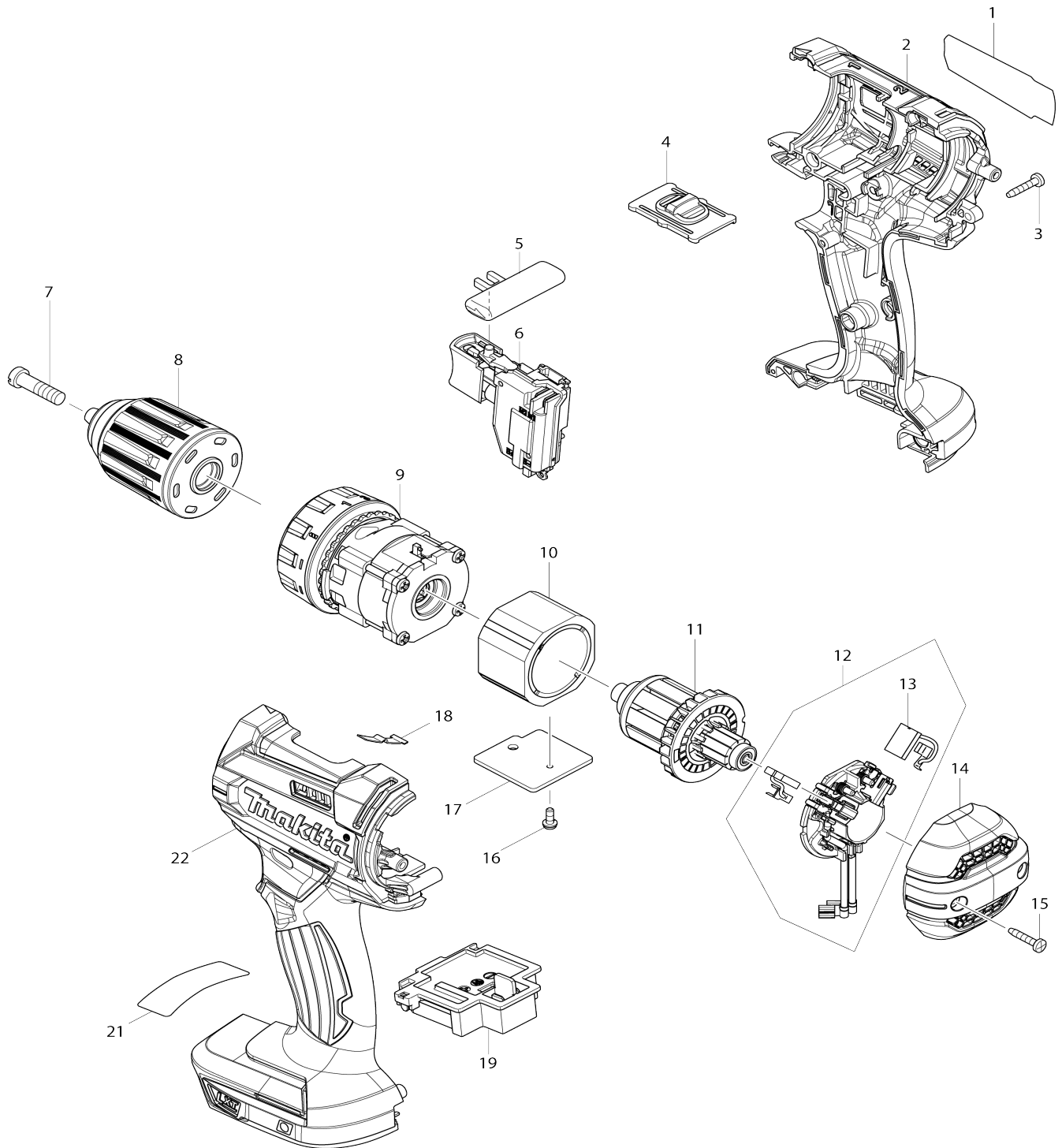


Model No.DDF482 CORDLESS DRIVER DRILL



Model No.DDF482 CORDLESS DRIVER DRILL

Item No.	Parts No.	Description	Interchangability	Q'ty	New/Old	Note1	Note2
001	851E35-2	DDF482 NAME PLATE		1			
002	183B65-0	HOUSING SET		1			
C10	263005-3	RUBBER PIN 6		2			
002		INC. 22					
002	183G75-7	HOUSING SET		1			
003	266429-2	TAPPING SCREW 3X16		9	*		
003-1	266130-9	TAPPING SCREW BIND PT 3X16	O	9			
004	123442-2	SPEED CHANGE LEVER ASSEMBLY		1			
C10	233438-6	COMPRESSION SPRING 4		2			
005	419041-9	F/R CHANGE LEVER		1			
006	632F27-4	SWITCH UNIT		1			
C10	620444-4	LED CIRCUIT		1			
C20	688172-7	LINE FILTER		1	*		
007	251468-5	- FLAT HEAD SCREW M6X22		1			
008	766027-7	KEYLESS DRILL CHUCK 13		1			
009	123444-8	GEAR ASSEMBLY		1	*		
009-1	127323-2	GEAR ASSEMBLY	<	1	*		
009-2	127511-1	GEAR ASSEMBLY	<	1			
010	632F32-1	YOKE UNIT		1	*		
010	632J70-7	YOKE UNIT		1			
010-1	632J70-7	YOKE UNIT	<	1			
011	619380-9	ARMATURE		1	*		
011-1	619583-5	ARMATURE	>	1			
012	632F21-6	BRUSH HOLDER COMPLETE		1			
C10	688172-7	LINE FILTER		1	*		
012		INC. 13					
013	194427-5	CARBON BRUSH SET CB-440		1	*		
013-1	195021-6	CARBON BRUSH SET CB-440	O	1			
014	456099-7	REAR COVER		1			
014	457927-9	REAR COVER		1			
015	266429-2	TAPPING SCREW 3X16		2	*		
015-1	266130-9	TAPPING SCREW BIND PT 3X16	O	2			
016	911006-2	PAN HEAD SCREW M3X8		1	*		
016-1	652066-2	+PAN HEAD SCREW M3X9 WITH W	<	1			
017	689070-8	HEAT SINK		1	*		
017-1	689262-9	HEAT SINK	O	1			
018	232182-2	LEAF SPRING		1			
019	644808-8	TERMINAL		1			
022	183B65-0	HOUSING SET		1			
C10	263005-3	RUBBER PIN 6		2			
022		INC. 2					
022	183G75-7	HOUSING SET		1			
A01	251314-2	+ SCREW M4X12		1			
A02	346317-0	HOOK		1			
A02	346449-3	HOOK		1			
A03	784637-8	+/- BIT 2-45		1			

A04	821550-0	CONNECTOR PLASTIC CASE (TYP E2)		1		
C10	453974-8	LATCH		4		
A04	141331-9	PLASTIC CASE COMPLETE		1		
C10	324667-3	SHAFT		1		
C20	417724-5	LATCH		2		
C30	419216-0	HANDLE		1		
C40	450830-3	PLASTIC CASE LID		1		
C50	451028-5	PLATE		5		
A04	141856-3	PLASTIC CARRYING CASE COMPLETE		1		
C10	162302-3	LATCH		2		
C20	324207-7	SHAFT		1		
C30	451749-9	HANDLE		1		
A05	450128-8	BATTERY COVER		1		
A06	***DC18RC	DC18RC FAST CHARGER		1		
A07	197265-4	BATTERY BL1840B SET		2	*	
A07	196235-0	BATTERY BL1815N SET		2		
A07	197280-8	BATTERY BL1850B SET		2	*	
A07	197254-9	BATTERY BL1820B SET		2	*	
A07	197600-6	BATTERY BL1830B SET		2	*	
A07-1	197265-4	BATTERY BL1840B SET	O	2		
A07-1	197280-8	BATTERY BL1850B SET	O	2		
A07-1	197254-9	BATTERY BL1820B SET	O	2		
A07-1	197600-6	BATTERY BL1830B SET		2	*	
A07-2	197600-6	BATTERY BL1830B SET	O	2		
A08	837916-4	INNER TRAY		1		
A08	837863-9	INNER TRAY		1		
A08	813C39-0	DDF482RFEB PLASTIC CASE LABEL		1	*	
A08-1	816F07-0	DDF482RFEB PLASTIC CASE LABEL	X	1		
A08-1	816F03-8	DDF482RFE PLASTIC CASE LABEL		2		
A09	808J25-6	DDF482RMJ INDICATION LABEL		1	*	
A09	808J29-8	DDF482Y1J INDICATION LABEL		1	*	
A09	808V92-3	DDF482RTJ INDICATION LABEL		1	*	
A09	809J17-8	DDF482RT3J INDICATION LABEL		1	*	
A09	808J33-7	DDF482RM3J INDICATION LABEL		1	*	
A09	808J27-2	DDF482RAJ INDICATION LABEL		1	*	
A09	812K05-2	DDF482RYJ INDICATION LABEL		1	*	
A09-1	816F10-1	DDF482RMJ INDICATION LABEL	O	1		
A09-1	816F21-6	DDF482Y1J INDICATION LABEL	O	1		
A09-1	816F18-5	DDF482RTJ INDICATION LABEL	O	1		
A09-1	816F27-4	DDF482RT3J INDICATION LABEL	O	1		
A09-1	816F25-8	DDF482RM3J INDICATION LABEL	O	1		
A09-1	816F12-7	DDF482RAJ INDICATION LABEL	O	1		
A09-1	816F29-0	DDF482RYJ INDICATION LABEL	O	1		
A09-1	816F15-1	DDF482RFJ INDICATION LABEL		1		
A10	808J26-4	DDF482RMJ PLASTIC CASE LABEL		2	*	
A10	808J30-3	DDF482Y1J PLASTIC CASE LABEL		2	*	
A10	808V94-9	DDF482RTJ PLASTIC CASE LABEL		2	*	
A10	809J18-6	DDF482RT3J PLASTIC CASE LABEL		2	*	

A10	808J34-5	DDF482RM3J PLASTIC CASE LABEL		2	*		
A10	808J28-0	DDF482RAJ PLASTIC CASE LABEL		2	*		
A10	812K06-0	DDF482RYJ PLASTIC CASE LABEL		2	*		
A10-1	816F11-9	DDF482RMJ PLASTIC CASE LABEL	X	2			
A10-1	816F22-4	DDF482Y1J PLASTIC CASE LABEL	X	2			
A10-1	816F19-3	DDF482RTJ PLASTIC CASE LABEL	X	2	*		
A10-1	816F28-2	DDF482RT3J PLASTIC CASE LABEL	X	2			
A10-1	816F26-6	DDF482RM3J PLASTIC CASE LABEL	X	2			
A10-1	816F13-5	DDF482RAJ PLASTIC CASE LABEL	X	2	*		
A10-1	816F30-5	DDF482RYJ PLASTIC CASE LABEL	X	2			
A10-1	816F17-7	DDF482RFJ PLASTIC CASE LABEL		2			
A10-2	816F20-8	DDF482RTJ PLASTIC CASE LABEL	O	2			
A10-2	816F14-3	DDF482RAJ PLASTIC CASE LABEL	O	2			
E02	654015-5	EARTH TERMINAL		1			
E03	654501-6	CONNECTOR P-1.25		1			

Please state Parts No. when your order.

Print Date 23/12/2024