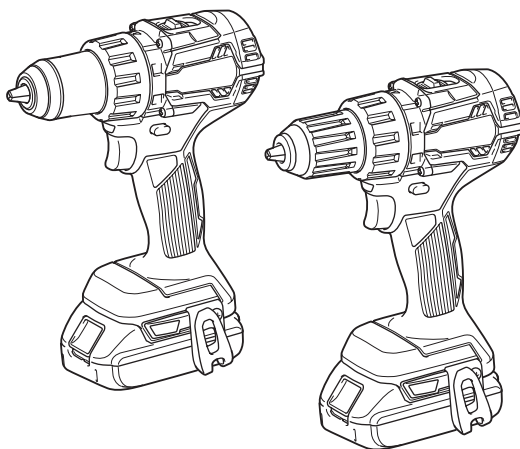




EN	Cordless Driver Drill	INSTRUCTION MANUAL	4
SV	Sladdlös bormaskin	BRUKSANVISNING	11
NO	Batteridrevet borskru trekker	BRUKSANVISNING	18
FI	Akkuporakone	KÄYTTÖOHJE	25
DA	Akku skrue-/boremaskine	BRUGSANVISNING	31
LV	Bezvada skrūvgriezis-urbjmašina	LIETOŠANAS INSTRUKCIJA	38
LT	Akumuliatorinis grąžtas	NAUDOJIMO INSTRUKCIJA	45
ET	Juhtmeta trell-kruvikeeraja	KASUTUSJUHEND	52
RU	Аккумуляторная дрель-шуруповерт	РУКОВОДСТВО ПО ЭКСПЛУАТАЦИИ	59

DDF484



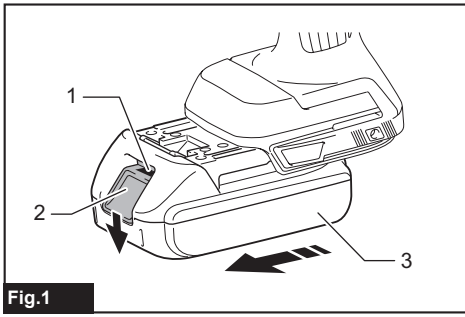


Fig.1

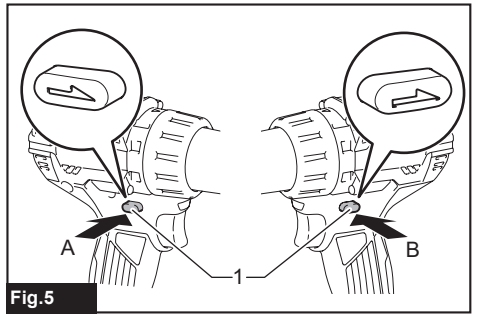


Fig.5

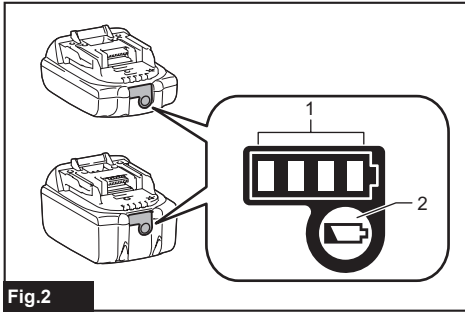


Fig.2

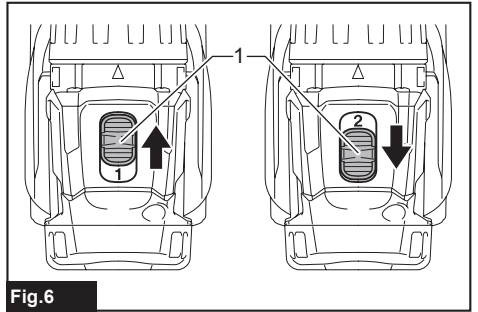


Fig.6

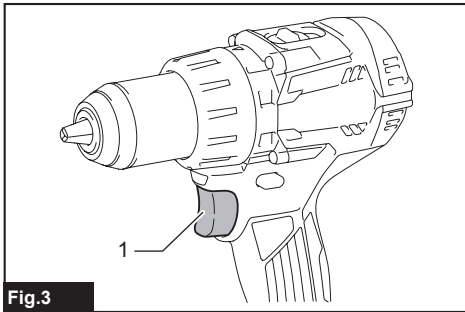


Fig.3

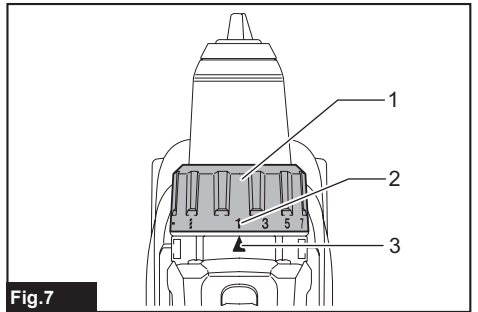


Fig.7

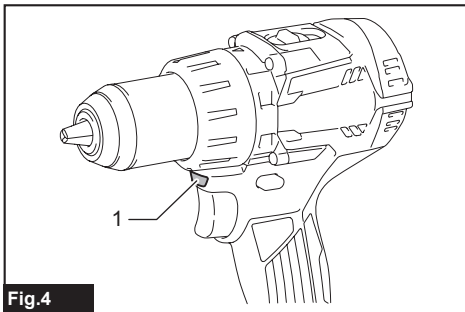


Fig.4

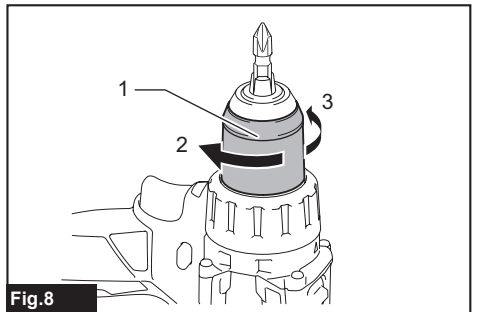


Fig.8

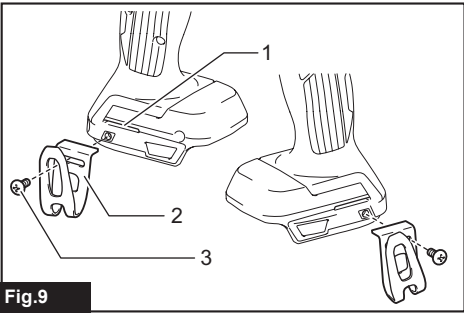


Fig.9

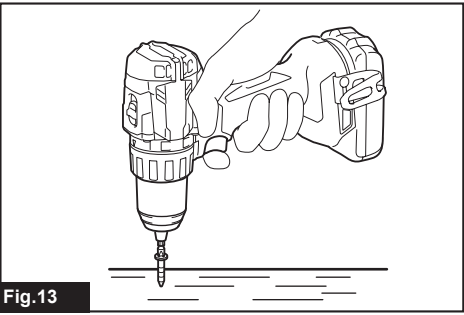


Fig.13

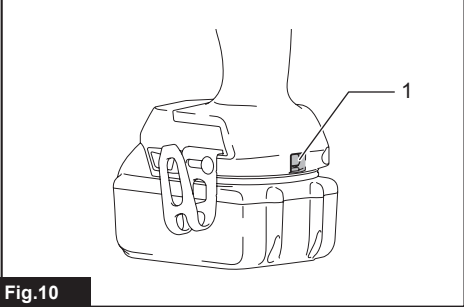


Fig.10

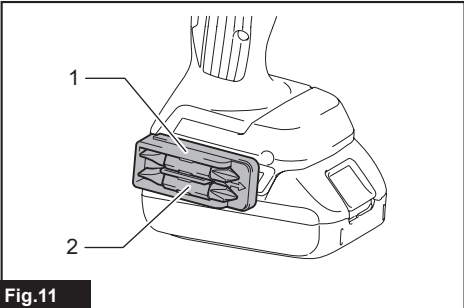


Fig.11

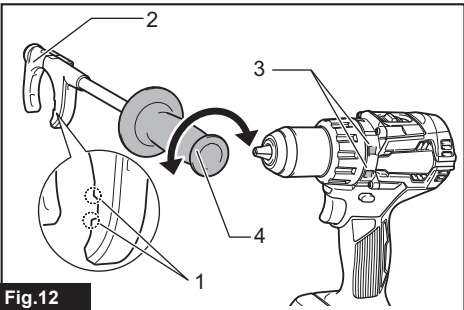


Fig.12

SPECIFICATIONS

Model:		DDF484
Drilling capacities	Steel	13 mm
	Wood	38 mm
Fastening capacities	Wood screw	10 mm x 90 mm
	Machine screw	M6
No load speed	High (2)	0 - 2,000 min ⁻¹
	Low (1)	0 - 500 min ⁻¹
Overall length		162 mm or 172 mm (Country specific)
Rated voltage		D.C. 18 V
Net weight		1.5 - 2.2 kg

- Due to our continuing program of research and development, the specifications herein are subject to change without notice.
- Specifications may differ from country to country.
- The weight may differ depending on the attachment(s), including the battery cartridge. The lightest and heaviest combination are shown in the table.

Applicable battery cartridge and charger

Battery cartridge	BL1815N / BL1820B / BL1830B / BL1840B / BL1850B / BL1860B
Charger	DC18RC / DC18RD / DC18RE / DC18SD / DC18SE / DC18SF / DC18SH / DC18WC

- Some of the battery cartridges and chargers listed above may not be available depending on your region of residence.

⚠WARNING: Only use the battery cartridges and chargers listed above. Use of any other battery cartridges and chargers may cause injury and/or fire.

Intended use

The tool is intended for drilling and screw driving in wood, metal and plastic.

Noise

The typical A-weighted noise level determined according to EN62841-2-1:

Sound pressure level (L_{pA}) : 79 dB (A)

Uncertainty (K) : 3 dB (A)

The noise level under working may exceed 80 dB (A).

NOTE: The declared noise emission value(s) has been measured in accordance with a standard test method and may be used for comparing one tool with another.

NOTE: The declared noise emission value(s) may also be used in a preliminary assessment of exposure.

⚠WARNING: Wear ear protection.

⚠WARNING: The noise emission during actual use of the power tool can differ from the declared value(s) depending on the ways in which the tool is used especially what kind of workpiece is processed.

⚠WARNING: Be sure to identify safety measures to protect the operator that are based on an estimation of exposure in the actual conditions of use (taking account of all parts of the operating cycle such as the times when the tool is switched off and when it is running idle in addition to the trigger time).

Vibration

The vibration total value (tri-axial vector sum) determined according to EN62841-2-1:

Work mode: drilling into metal

Vibration emission ($a_{h,D}$) : 2.5 m/s² or less

Uncertainty (K) : 1.5 m/s²

NOTE: The declared vibration total value(s) has been measured in accordance with a standard test method and may be used for comparing one tool with another.

NOTE: The declared vibration total value(s) may also be used in a preliminary assessment of exposure.

⚠WARNING: The vibration emission during actual use of the power tool can differ from the declared value(s) depending on the ways in which the tool is used especially what kind of workpiece is processed.

⚠WARNING: Be sure to identify safety measures to protect the operator that are based on an estimation of exposure in the actual conditions of use (taking account of all parts of the operating cycle such as the times when the tool is switched off and when it is running idle in addition to the trigger time).

Declarations of Conformity

For European countries only

The Declarations of conformity are included in Annex A to this instruction manual.

SAFETY WARNINGS

General power tool safety warnings

⚠WARNING Read all safety warnings, instructions, illustrations and specifications provided with this power tool. Failure to follow all instructions listed below may result in electric shock, fire and/or serious injury.

Save all warnings and instructions for future reference.

The term "power tool" in the warnings refers to your mains-operated (corded) power tool or battery-operated (cordless) power tool.

Cordless driver drill safety warnings

Safety instructions for all operations

1. **Hold the power tool by insulated gripping surfaces, when performing an operation where the cutting accessory or fasteners may contact hidden wiring.** Cutting accessory or fasteners contacting a "live" wire may make exposed metal parts of the power tool "live" and could give the operator an electric shock.
2. **Always be sure you have a firm footing. Be sure no one is below when using the tool in high locations.**
3. **Hold the tool firmly.**
4. **Keep hands away from rotating parts.**
5. **Do not leave the tool running. Operate the tool only when hand-held.**
6. **Do not touch the drill bit, the workpiece or chips immediately after operation; they may be extremely hot and could burn your skin.**

7. **Some material contains chemicals which may be toxic. Take caution to prevent dust inhalation and skin contact. Follow material supplier safety data.**
8. **If the drill bit cannot be loosened even you open the jaws, use pliers to pull it out.** In such a case, pulling out the drill bit by hand may result in injury by its sharp edge.
9. **Make sure there are no electrical cables, water pipes, gas pipes etc. that could cause a hazard if damaged by use of the tool.**

Safety instructions when using long drill bits

1. **Never operate at higher speed than the maximum speed rating of the drill bit.** At higher speeds, the bit is likely to bend if allowed to rotate freely without contacting the workpiece, resulting in personal injury.
2. **Always start drilling at low speed and with the bit tip in contact with the workpiece.** At higher speeds, the bit is likely to bend if allowed to rotate freely without contacting the workpiece, resulting in personal injury.
3. **Apply pressure only in direct line with the bit and do not apply excessive pressure.** Bits can bend causing breakage or loss of control, resulting in personal injury.

SAVE THESE INSTRUCTIONS.

⚠WARNING: DO NOT let comfort or familiarity with product (gained from repeated use) replace strict adherence to safety rules for the subject product. MISUSE or failure to follow the safety rules stated in this instruction manual may cause serious personal injury.

Important safety instructions for battery cartridge

1. **Before using battery cartridge, read all instructions and cautionary markings on (1) battery charger, (2) battery, and (3) product using battery.**
2. **Do not disassemble or tamper with the battery cartridge.** It may result in a fire, excessive heat, or explosion.
3. **If operating time has become excessively shorter, stop operating immediately.** It may result in a risk of overheating, possible burns and even an explosion.
4. **If electrolyte gets into your eyes, rinse them out with clear water and seek medical attention right away.** It may result in loss of your eyesight.
5. **Do not short the battery cartridge:**
 - (1) **Do not touch the terminals with any conductive material.**
 - (2) **Avoid storing battery cartridge in a container with other metal objects such as nails, coins, etc.**
 - (3) **Do not expose battery cartridge to water or rain.**

A battery short can cause a large current flow, overheating, possible burns and even a

breakdown.

6. Do not store and use the tool and battery cartridge in locations where the temperature may reach or exceed 50 °C (122 °F).
7. Do not incinerate the battery cartridge even if it is severely damaged or is completely worn out. The battery cartridge can explode in a fire.
8. Do not nail, cut, crush, throw, drop the battery cartridge, or hit against a hard object to the battery cartridge. Such conduct may result in a fire, excessive heat, or explosion.
9. Do not use a damaged battery.
10. The contained lithium-ion batteries are subject to the Dangerous Goods Legislation requirements.

For commercial transports e.g. by third parties, forwarding agents, special requirement on packaging and labeling must be observed.

For preparation of the item being shipped, consulting an expert for hazardous material is required. Please also observe possibly more detailed national regulations.

Tape or mask off open contacts and pack up the battery in such a manner that it cannot move around in the packaging.

11. When disposing the battery cartridge, remove it from the tool and dispose of it in a safe place. Follow your local regulations relating to disposal of battery.
12. Use the batteries only with the products specified by Makita. Installing the batteries to non-compliant products may result in a fire, excessive heat, explosion, or leak of electrolyte.
13. If the tool is not used for a long period of time, the battery must be removed from the tool.
14. During and after use, the battery cartridge may take on heat which can cause burns or low temperature burns. Pay attention to the handling of hot battery cartridges.
15. Do not touch the terminal of the tool immediately after use as it may get hot enough to cause burns.
16. Do not allow chips, dust, or soil stuck into the terminals, holes, and grooves of the battery cartridge. It may cause heating, catching fire, burst and malfunction of the tool or battery cartridge, resulting in burns or personal injury.
17. Unless the tool supports the use near high-voltage electrical power lines, do not use the battery cartridge near high-voltage electrical power lines. It may result in a malfunction or breakdown of the tool or battery cartridge.
18. Keep the battery away from children.

SAVE THESE INSTRUCTIONS.

CAUTION: Only use genuine Makita batteries. Use of non-genuine Makita batteries, or batteries that have been altered, may result in the battery bursting causing fires, personal injury and damage. It will also void the Makita warranty for the Makita tool and charger.

Tips for maintaining maximum battery life

1. Charge the battery cartridge before completely discharged. Always stop tool operation and charge the battery cartridge when you notice less tool power.
2. Never recharge a fully charged battery cartridge. Overcharging shortens the battery service life.
3. Charge the battery cartridge with room temperature at 10 °C - 40 °C (50 °F - 104 °F). Let a hot battery cartridge cool down before charging it.
4. When not using the battery cartridge, remove it from the tool or the charger.
5. Charge the battery cartridge if you do not use it for a long period (more than six months).

FUNCTIONAL DESCRIPTION

CAUTION: Always be sure that the tool is switched off and the battery cartridge is removed before adjusting or checking function on the tool.

Installing or removing battery cartridge

CAUTION: Always switch off the tool before installing or removing of the battery cartridge.

CAUTION: Hold the tool and the battery cartridge firmly when installing or removing battery cartridge. Failure to hold the tool and the battery cartridge firmly may cause them to slip off your hands and result in damage to the tool and battery cartridge and a personal injury.

To install the battery cartridge, align the tongue on the battery cartridge with the groove in the housing and slip it into place. Insert it all the way until it locks in place with a little click. If you can see the red indicator as shown in the figure, it is not locked completely.

To remove the battery cartridge, slide it from the tool while sliding the button on the front of the cartridge.

► Fig.1: 1. Red indicator 2. Button 3. Battery cartridge

CAUTION: Always install the battery cartridge fully until the red indicator cannot be seen. If not, it may accidentally fall out of the tool, causing injury to you or someone around you.

CAUTION: Do not install the battery cartridge forcibly. If the cartridge does not slide in easily, it is not being inserted correctly.

Indicating the remaining battery capacity

Only for battery cartridges with the indicator

Press the check button on the battery cartridge to indicate the remaining battery capacity. The indicator lamps light up for a few seconds.

► Fig.2: 1. Indicator lamps 2. Check button

Indicator lamps			Remaining capacity
Lighted	Off	Blinking	
■	□	▧	75% to 100%
■ ■ ■ ■			
	■ ■ ■ □		50% to 75%
	■ ■ □ □		25% to 50%
	■ □ □ □		0% to 25%
▧	□ □ □ □		Charge the battery.
■ ■ □ □			The battery may have malfunctioned.
□ □ ■ ■			

NOTE: Depending on the conditions of use and the ambient temperature, the indication may differ slightly from the actual capacity.

NOTE: The first (far left) indicator lamp will blink when the battery protection system works.

Tool / battery protection system

The tool is equipped with a tool/battery protection system. This system automatically cuts off the power to extend tool and battery life. The tool will automatically stop during operation if the tool or battery is placed under one of the following conditions:

Overload protection

This protection works when the tool is operated in a manner that causes it to draw an abnormally high current. In this situation, turn the tool off and stop the application that caused the tool to become overloaded. Then turn the tool on to restart.

Overheat protection

This protection works when the tool or battery is overheated. In this situation, let the tool and battery cool before turning the tool on again.

Overdischarge protection

This protection works when the remaining battery capacity gets low. In this situation, remove the battery from the tool and charge the battery.

Switch action

► Fig.3: 1. Switch trigger

CAUTION: Before installing the battery cartridge into the tool, always check to see that the switch trigger actuates properly and returns to the "OFF" position when released.

To start the tool, simply pull the switch trigger. Tool

speed is increased by increasing pressure on the switch trigger. Release the switch trigger to stop.

NOTE: The tool automatically stops if you keep pulling the switch trigger for about 6 minutes.

Lighting up the front lamp

► Fig.4: 1. Lamp

CAUTION: Do not look in the light or see the source of light directly.

Pull the switch trigger to light up the lamp. The lamp keeps on lighting while the switch trigger is being pulled. The lamp goes out approximately 10 seconds after releasing the switch trigger.

NOTE: When the tool is overheated, the tool stops automatically and the lamp starts flashing. In this case, release the switch trigger. The lamp turns off in one minute.

NOTE: Use a dry cloth to wipe the dirt off the lens of the lamp. Be careful not to scratch the lens of the lamp, or it may lower the illumination.

Reversing switch action

► Fig.5: 1. Reversing switch lever

CAUTION: Always check the direction of rotation before operation.

CAUTION: Use the reversing switch only after the tool comes to a complete stop. Changing the direction of rotation before the tool stops may damage the tool.

CAUTION: When not operating the tool, always set the reversing switch lever to the neutral position.

This tool has a reversing switch to change the direction of rotation. Depress the reversing switch lever from the A side for clockwise rotation or from the B side for counterclockwise rotation.

When the reversing switch lever is in the neutral position, the switch trigger cannot be pulled.

Speed change

► Fig.6: 1. Speed change lever

CAUTION: Always set the speed change lever fully to the correct position. If you operate the tool with the speed change lever positioned halfway between the "1" side and "2" side, the tool may be damaged.

CAUTION: Do not use the speed change lever while the tool is running. The tool may be damaged.

Displayed Number	Speed	Torque	Applicable operation
1	Low	High	Heavy loading operation
2	High	Low	Light loading operation



To change the speed, switch off the tool first. Push

the speed change lever to display "2" for high speed or "1" for low speed but high torque. Be sure that the speed change lever is set to the correct position before operation.

If the tool speed is coming down extremely during the operation with display "2", push the lever to display "1" and restart the operation.

Adjusting the fastening torque

► **Fig.7:** 1. Adjusting ring 2. Graduation 3. Arrow

The fastening torque can be adjusted in 22 levels by turning the adjusting ring. Align the graduations with the arrow on the tool body. You can get the minimum fastening torque at 1 and maximum torque at  marking. The clutch will slip at various torque levels when set at the number 1 to 21. The clutch does not work at the  marking.

Before actual operation, drive a trial screw into your material or a piece of duplicate material to determine which torque level is required for a particular application.

The following shows the rough guide of the relationship between the screw size and graduation.

Graduation		1	2	3	4	5	6	7	8	9	10	11	12	13	14	15	16	17	18	19	20	21	
Machine screw		M4					M5										M6						
Wood screw	Soft wood (e.g. pine)	-					ø3.5 x 22					ø4.1 x 38					-						
	Hard wood (e.g. lauan)	-					ø3.5 x 22					ø4.1 x 38					-						

ASSEMBLY

CAUTION: Always be sure that the tool is switched off and the battery cartridge is removed before carrying out any work on the tool.

Installing or removing driver bit/drill bit

► **Fig.8:** 1. Sleeve 2. Close 3. Open

Turn the sleeve counterclockwise to open the chuck jaws. Place the driver bit/drill bit in the chuck as far as it will go. Turn the sleeve clockwise to tighten the chuck. To remove the driver bit/drill bit, turn the sleeve counterclockwise.

Installing hook

WARNING: Use the hanging/mounting parts for their intended purposes only, e.g., hanging the tool on a tool belt between jobs or work intervals.

WARNING: Be careful not to overload the hook as too much force or irregular overburden may cause damages to the tool resulting in personal injury.

CAUTION: When installing the hook, always secure it with the screw firmly. If not, the hook may come off from the tool and result in the personal injury.

CAUTION: Make sure to hang the tool securely before releasing your hold. Insufficient or unbalanced hooking may cause falling off and you may be injured.

► **Fig.9:** 1. Groove 2. Hook 3. Screw

The hook is convenient for temporarily hanging the tool.

This can be installed on either side of the tool. To install the hook, insert it into a groove in the tool housing on either side and then secure it with a screw. To remove, loosen the screw and then take it out.

Using hole

WARNING: Never use the hanging hole for unintended purpose, for instance, tethering the tool at high location. Bearing stress in a heavily loaded hole may cause damages to the hole, resulting in injuries to you or people around or below you.

► **Fig.10:** 1. Hanging hole

Use the hanging hole at the bottom rear of the tool to hang the tool on a wall using a hanging cord or similar strings.

Installing driver bit holder

Optional accessory

► **Fig.11:** 1. Driver bit holder 2. Driver bit

Fit the driver bit holder into the protrusion at the tool foot on either right or left side and secure it with a screw. When not using the driver bit, keep it in the driver bit holders. Driver bits 45 mm-long can be kept there.

Installing side grip (auxiliary handle)

Optional accessory

► **Fig.12:** 1. Protrusion 2. Arm 3. Recess 4. Grip

Insert the side grip so that the protrusions on the arm fit in the recesses on the tool. Then tighten the grip by turning clockwise.

Depending the operations, you can install the side grip either right or left side of the tool.

OPERATION

CAUTION: Always insert the battery cartridge all the way until it locks in place. If you can see the red indicator on the upper side of the button, it is not locked completely. Insert it fully until the red indicator cannot be seen. If not, it may accidentally fall out of the tool, causing injury to you or someone around you.

CAUTION: When the speed comes down extremely, reduce the load or stop the tool to avoid the tool damage.

Hold the tool firmly with one hand on the grip and the other hand on the bottom of the battery cartridge to control the twisting action.

► Fig.13

Screwdriving operation


CAUTION: Adjust the adjusting ring to the proper torque level for your work.

CAUTION: Make sure that the driver bit is inserted straight in the screw head, or the screw and/or driver bit may be damaged.

Place the point of the driver bit in the screw head and apply pressure to the tool. Start the tool slowly and then increase the speed gradually. Release the switch trigger as soon as the clutch cuts in.

NOTE: When driving wood screw, pre-drill a pilot hole 2/3 the diameter of the screw. It makes driving easier and prevents splitting of the workpiece.

Drilling operation

First, turn the adjusting ring so that the arrow points to the  marking. Then proceed as follows.

Drilling in wood

When drilling in wood, the best results are obtained with wood drills equipped with a guide screw. The guide screw makes drilling easier by pulling the drill bit into the workpiece.

Drilling in metal

To prevent the drill bit from slipping when starting a hole, make an indentation with a center-punch and hammer at the point to be drilled. Place the point of the drill bit in the indentation and start drilling.

Use a cutting lubricant when drilling metals. Some iron and brass which should be drilled dry are exceptions.

CAUTION: Pressing excessively on the tool will not speed up the drilling. In fact, this excessive pressure will only serve to damage the tip of your drill bit, decrease the tool performance and shorten the service life of the tool.

CAUTION: Hold the tool firmly and exert care when the drill bit begins to break through the workpiece. There is a tremendous force exerted on the tool/drill bit at the time of hole break through.

CAUTION: A stuck drill bit can be removed simply by setting the reversing switch to reverse rotation in order to back out. However, the tool may back out abruptly if you do not hold it firmly.

CAUTION: Always secure workpieces in a vise or similar hold-down device.

CAUTION: If the tool is operated continuously until the battery cartridge has discharged, allow the tool to rest for 15 minutes before proceeding with a fresh battery.

MAINTENANCE

CAUTION: Always be sure that the tool is switched off and the battery cartridge is removed before attempting to perform inspection or maintenance.

NOTICE: Never use gasoline, benzine, thinner, alcohol or the like. Discoloration, deformation or cracks may result.

To maintain product SAFETY and RELIABILITY, repairs, any other maintenance or adjustment should be performed by Makita Authorized or Factory Service Centers, always using Makita replacement parts.

OPTIONAL ACCESSORIES

CAUTION: These accessories or attachments are recommended for use with your Makita tool specified in this manual. The use of any other accessories or attachments might present a risk of injury to persons. Only use accessory or attachment for its stated purpose.

If you need any assistance for more details regarding these accessories, ask your local Makita Service Center.

- Drill bits
- Driver bits
- Driver bit holder
- Hook
- Side grip
- Makita genuine battery and charger

NOTE: Some items in the list may be included in the tool package as standard accessories. They may differ from country to country.

SPECIFIKATIONER

Modell:		DDF484
Borrkapaciteter	Stål	13 mm
	Trä	38 mm
Ådragningskapaciteter	Träskruv	10 mm x 90 mm
	Maskinskruv	M6
Hastighet utan belastning	Hög (2)	0 - 2 000 min ⁻¹
	Låg (1)	0 - 500 min ⁻¹
Total längd		162 mm eller 172 mm (landsspecifikt)
Märkspänning		18 V likström
Nettovikt		1,5 - 2,2 kg

- På grund av vårt pågående program för forskning och utveckling kan dessa specifikationer ändras utan föregående meddelande.
- Specifikationer kan variera mellan olika länder.
- Vikten kan variera beroende på tillbehöret/tillbehören, inklusive batterikassetten. Den lättaste och den tyngsta kombinationen visas i tabellen.

Tillgänglig batterikassett och laddare

Batterikassett	BL1815N / BL1820B / BL1830B / BL1840B / BL1850B / BL1860B
Laddare	DC18RC / DC18RD / DC18RE / DC18SD / DC18SE / DC18SF / DC18SH / DC18WC

- Vissa av batterikassetterna och laddarna på listan ovan kanske inte finns tillgängliga i din region.

⚠ VARNING: Använd endast batterikassetter och laddare från listan ovan. Användning av andra batterikassetter och laddare kan orsaka personskada och/eller brand.

Avsedd användning

Maskinen är avsedd för borrar och skruvdragning i trä, metall och plast.

Buller

Den normala bullernivån för A-belastning är bestämd enligt EN62841-2-1:

Ljudtrycksnivå (L_{pA}): 79 dB (A)

Måttolerans (K): 3 dB (A)

Bullernivån vid arbete kan överstiga 80 dB (A).

OBS: Det deklarerade bullervärdet har uppmätts i enlighet med standardtestmetoden och kan användas för jämförandet av en maskin med en annan.

OBS: Det deklarerade bulleremissionsvärdet kan också användas i en preliminär bedömning av exponering för vibration.

⚠ VARNING: Använd hörselskydd.

⚠ VARNING: Bulleremissionen under faktisk användning av maskinen kan skilja sig från det deklarerade värdet, beroende på hur maskinen används och särskilt vilken typ av arbetsstycke som behandlas.

⚠ VARNING: Var noga med att identifiera säkerhetsåtgärder för att skydda användaren, vilka är grundade på en uppskattning av graden av exponering för vibrationer under de faktiska användningsförhållandena, (ta, förutom avtryckartiden, med alla delar av användarcykeln i beräkningen, som till exempel tiden då maskinen är avstängd och när den går på tomgång).

Vibration

Det totala vibrationsvärdet (treaxlad vektorsumma) bestämt enligt EN62841-2-1:

Arbetsläge: borrar i metall

Vibrationsemission ($a_{h,D}$): 2,5 m/s² eller lägre

Måttolerans (K): 1,5 m/s²

OBS: Det deklarerade totala vibrationsvärdet har uppmätts i enlighet med standardtestmetoden och kan användas för jämförandet av en maskin med en annan.

OBS: Det deklarerade totala vibrationsvärdet kan också användas i en preliminär bedömning av exponering för vibration.

⚠ VARNING: Vibrationsemissionen under faktisk användning av maskinen kan skilja sig från det deklarerade värdet, beroende på hur maskinen används och särskilt vilken typ av arbetsstycke som behandlas.

⚠ VARNING: Var noga med att identifiera säkerhetsåtgärder för att skydda användaren, vilka är grundade på en uppskattning av graden av exponering för vibrationer under de faktiska användningsförhållandena, (ta, förutom avtryckartiden, med alla delar av användarcykeln i beräkningen, som till exempel tiden då maskinen är avstängd och när den går på tomgång).

Försäkran om överensstämmelse

Gäller endast inom EU

Försäkran om överensstämmelse ingår i bilaga A till denna bruksanvisning.

SÄKERHETSVARNINGAR

Allmänna säkerhetsvarningar för maskiner

⚠ VARNING Läs alla säkerhetsvarningar, instruktioner, illustrationer och specifikationer som medföljer detta elverktyg. Underlåtenhet att följa alla instruktioner nedan kan leda till elstöt, brand och/eller allvarliga personskador.

Spara alla varningar och instruktioner för framtida referens.

Termen "maskin" som anges i varningarna hänvisar till din eldrivna maskin (sladdansluten) eller batteridrivna maskin (sladdlös).

Säkerhetsvarningar för sladdlös bormaskin

Säkerhetsinstruktioner för alla åtgärder

1. Håll verktyget i de isolerade handtagen om det finns risk för att skärtillsatsen eller fästena kan komma i kontakt med en dold elkabel. Om skärtillsatsen eller fästena kommer i kontakt med en strömförande ledning blir verktygets blottlagda metalldelar strömförande och kan ge användaren en elektrisk stöt.
2. Se till att alltid ha ordentligt fotfäste. Se till att ingen står under dig när maskinen används på hög höjd.
3. Håll stadigt i maskinen.

4. Håll händerna på avstånd från roterande delar.
5. Lämna inte maskinen igång. Använd endast maskinen när du håller den i händerna.
6. Rör inte vid borret eller arbetsstycket omedelbart efter avslutat arbete, då de kan vara mycket heta och ge brännskador.
7. Vissa material kan innehålla giftiga kemikalier. Se till att du inte andas in damm eller får det på huden. Följ anvisningarna i leverantörens materialsäkerhetsblad.
8. Om borret inte kan lossas även om du öppnar chucken, använd en tång för att dra ut det. Om man drar ut det för hand kan man skada sig på dess vassa kanter.
9. Se till att det inte finns några elkablar, vattenrör, gasledningar etc. som kan orsaka fara om de skadas av verktyget.

Säkerhetsinstruktioner vid användning av långa borrbits

1. Kör aldrig i högre hastighet än den maximala märkhastigheten för borrbitsen. I högre hastigheter blir bitset förmodligen böjt om det får rotera fritt utan kontakt med arbetsstycket, vilket leder till personskada.
2. Börja alltid borra i låg hastighet och med bitspetsen i kontakt med arbetsstycket. I högre hastigheter blir bitset förmodligen böjt om det får rotera fritt utan kontakt med arbetsstycket, vilket leder till personskada.
3. Sätt in tryck endast vid direkt stadig kontakt med bitset och tryck inte på för mycket. Bits kan böja sig med följderna att de går sönder eller man tappar kontrollen, med personskada som följd.

SPARA DESSA ANVISNINGAR.

⚠ VARNING: GLÖM INTE att också fortsättningsvis strikt följa säkerhetsanvisningarna för maskinen även efter att du blivit van att använda den. Vid FELAKTIG HANTERING av maskinen eller om inte säkerhetsanvisningarna i denna bruksanvisning följs kan följderna bli allvarliga personskador.

Viktiga säkerhetsanvisningar för batterikassetten

1. Innan batterikassetten används ska alla instruktioner och varningsmärken på (1) batteriladdaren, (2) batteriet och (3) produkten läsas.
2. Montera inte isär eller mixtra med batterikassetten. Det kan leda till brand, överdriven värme eller explosion.
3. Om drifttiden blivit avsevärt kortare ska användningen avbrytas omedelbart. Det kan uppstå överhettning, brännskador och t o m en explosion.
4. Om du får elektrolyt i ögonen ska de sköljas med rent vatten och läkare uppsökas omedelbart. Det finns risk för att synen förloras.
5. Kortslut inte batterikassetten.
(1) Rör inte vid polerna med något

strömförande material.

- (2) **Undvik att förvara batterikassetten tillsammans med andra metallobjekt som t.ex. spikar, mynt o.s.v.**
- (3) **Skydda batteriet mot vatten och regn. En batterikortslutning kan orsaka ett stort strömlöde, överhettning, brand och maskinhaveri.**
6. **Förvara och använd inte verktyget och batterikassetten på platser där temperaturen kan nå eller överstiga 50 °C.**
7. **Bränn inte upp batterikassetten även om den är svårt skadad eller helt utsliten. Batterikassetten kan explodera i öppen eld.**
8. **Spika inte i, krossa, kasta, tappa eller slå batterikassetten mot hårda föremål. Dyliga händelser kan leda till brand, överdriven värme eller explosion.**
9. **Använd inte ett skadat batteri.**
10. **De medföljande litiumjonbatterierna är föremål för kraven i gällande lagstiftning för farligt gods.**

För kommersiella transporter (av t.ex. tredje parter som speditiönsfirmor) måste de särskilda transportkrav som anges på emballaget och etiketter iakttas.

För att förbereda den produkt som ska avsändas krävs att du konsulterar en expert på riskmaterial. Var också uppmärksam på att det i ditt land kan finnas ytterligare föreskrifter att följa.

Tejpa över eller maskera blottade kontakter och packa batteriet på sådant sätt att det inte kan röra sig fritt i förpackningen.
11. **När batterikassetten ska kasseras måste den tas bort från maskinen och kasseras på ett säkert sätt. Följ lokala föreskrifter beträffande avfallshantering av batteriet.**
12. **Använd endast batterierna med de produkter som specificerats av Makita. Att använda batterierna med ej godkända produkter kan leda till brand, överdriven värme, explosion eller utläckande elektrolyt.**
13. **Om maskinen inte används under en lång tid måste batteriet tas bort från maskinen.**
14. **Under och efter användning kan batterikassetten bli het vilket kan orsaka brännskador eller lättare brännskador. Var uppmärksam på hur du hanterar varma batterikassetter.**
15. **Vidrör inte verktygets kontakter direkt efter användning eftersom de kan bli heta och orsaka brännskador.**
16. **Låt inte flisor, damm eller smuts fastna i kontaktarna, i håll eller spår i batterikassetten. Det kan leda till att verktyget eller batterikassetten värms upp, fattar eld, går sönder eller inte fungerar som de ska, vilket kan orsaka brännskador eller personskador.**
17. **Såvida inte verktyget stöder arbeten i närheten av högspänningsledning får batterikassetten inte användas i närheten av en högspänningsledning. Det kan leda till att verktyget eller batterikassetten går sönder eller inte fungerar korrekt.**
18. **Förvara batteriet utom räckhåll för barn.**

SPARA DESSA ANVISNINGAR.

⚠FÖRSIKTIGT: Använda endast äkta Makita-batterier. Användning av oäkta Makita-batterier eller batterier som har manipulerats kan leda till person- och utrustningsskador eller till att batteriet fattar eld. Det upphäver också Makitas garanti för verktyget och laddaren.

Tips för att uppnå batteriets maximala livslängd

1. **Ladda batterikassetten innan den är helt urladdad. Stanna alltid maskinen och ladda batterikassetten när du märker att maskinen blir svagare.**
2. **Ladda aldrig en fulladdad batterikasset. Överladdning förkortar batteriets livslängd.**
3. **Ladda batterikassetten vid en rumstemperatur på 10 °C - 40 °C. Låt en varm batterikasset svalna innan den laddas.**
4. **När batterikassetten inte används ska den tas bort från verktyget eller laddaren.**
5. **Ladda batterikassetten om du inte har använt den på länge (mer än sex månader).**

FUNKTIONSBE- SKRIVNING

⚠FÖRSIKTIGT: Se alltid till att maskinen är avstängd och batterikassetten borttagen innan du justerar maskinen eller kontrollerar dess funktioner.

Montera eller demontera batterikassetten

⚠FÖRSIKTIGT: Stäng alltid av maskinen innan du monterar eller tar bort batterikassetten.

⚠FÖRSIKTIGT: Håll stadigt i maskinen och batterikassetten när du monterar eller tar bort batterikassetten. I annat fall kan det leda till att de glider ur dina händer och orsakar skada på maskinen och batterikassetten samt personskada.

Sätt i batterikassetten genom att rikta in tungan på batterikassetten mot spåret i höljets och skjut den på plats. Tryck in batterikassetten ordentligt tills den låser fast med ett klick. Om du kan se den röda indikatorn som bilden visar är den inte låst ordentligt.

Ta bort batterikassetten genom att skjuta ner knappen på kassetten framsida samtidigt som du drar ut batterikassetten.

► **Fig.1:** 1. Röd indikator 2. Knapp 3. Batterikasset

⚠ FÖRSIKTIGT: Sätt alltid i batterikassetten helt tills den röda indikatorn inte längre syns. I annat fall kan den oväntat falla ur verktyget och skada dig eller någon annan.

⚠ FÖRSIKTIGT: Montera inte batterikassetten med våld. Om kassetten inte lätt glider på plats är den felinsatt.

Indikerar kvarvarande batterikapacitet

Endast för batterikassetter med indikator

Tryck på kontrollknappen på batterikassetten för att se kvarvarande batterikapacitet. Indikatorlamporna lyser i ett par sekunder.

► Fig.2: 1. Indikatorlampor 2. Kontrollknapp

Indikatorlampor			Kvarvarande kapacitet
Upplyst	Av	Blinkar	
■	□	◐	75% till 100%
■ ■ ■ ■			
■ ■ ■ □			50% till 75%
■ ■ □ □			25% till 50%
■ □ □ □			0% till 25%
◐ □ □ □			Ladda batteriet.
■ ■ □ □			Batteriet kan ha skadats.
□ □ ■ ■			

OBS: Beroende på användningsförhållanden och den omgivande temperaturen kan indikationen skilja sig lätt från den faktiska batterikapaciteten.

OBS: Den första (längst till vänster) indikatorlampan kommer att blinka när batteriskyddssystemet fungerar.

Skyddssystem för maskinen/ batteriet

Verktyget är utrustat med ett skyddssystem för verktyget/batteriet. Detta system stänger automatiskt av strömmen för att förlänga verktygets och batteriets livslängd. Verktyget stannar automatiskt under användningen om verktyget eller batteriet hamnar i en av följande situationer:

Överbelastningsskydd

Detta skydd utlöses när verktyget används på ett sätt som gör att den förbrukar onormalt mycket ström. När detta sker stänger du av verktyget och upphör med arbetet som gjorde att det överbelastades. Starta därefter upp verktyget igen.

Överhettningsskydd

Detta skydd utlöses när verktyget eller batteriet blir överhettade. I en sådan situation ska du låta verktyget och batteriet svalna innan du startar verktyget igen.

Överurladdningsskydd

Detta skydd utlöses när den kvarvarande batterikapaciteten blir låg. I en sådan situation ska batteriet tas ur verktyget och laddas.

Avtryckarens funktion

► Fig.3: 1. Avtryckare

⚠ FÖRSIKTIGT: Innan du sätter i batterikassetten i maskinen ska du kontrollera att avtryckaren fungerar och återgår till läget "OFF" när du släpper den.

Tryck in avtryckaren för att starta maskinen. Hastigheten ökas genom att trycka hårdare på avtryckaren. Släpp avtryckaren för att stoppa maskinen.

OBS: Verktyget stannar automatiskt om du håller in avtryckaren i ca 6 minuter.

Tända frontlampan

► Fig.4: 1. Lampa

⚠ FÖRSIKTIGT: Titta inte in i ljuset eller direkt i ljuskällan.

Tryck på avtryckaren för att tända lampan. Lampan fortsätter att lysa så länge du håller avtryckaren intryckt. Lampan slocknar ungefär 10 sekunder efter att du har släppt avtryckaren.

OBS: När verktyget överhettas stoppas det automatiskt och lampan börjar blinka. Släpp avtryckaren om detta inträffar. Lampan släcks inom en minut.

OBS: Använd en torr trasa för att torka bort smuts från lampglaset. Var försiktig så att inte lampglaset repas eftersom ljuset då kan bli svagare.

Reverseringsspakens funktion

► Fig.5: 1. Reverseringsspak

⚠ FÖRSIKTIGT: Kontrollera alltid rotationsriktningen före användning.

⚠ FÖRSIKTIGT: Använd endast reverseringsspaken när maskinen har stoppat helt. Maskinen kan skadas om du byter rotationsriktning medan den fortfarande roterar.

⚠ FÖRSIKTIGT: Ställ alltid in reverseringsspaken i neutralt läge när du inte använder maskinen.

Denna maskin har en reverseringsspak för byte av rotationsriktning. Tryck in reverseringsspaken från sida A för medurs rotation och från sida B för moturs rotation. När reverseringsspaken är i neutralt läge fungerar inte avtryckaren.

Hastighetsändring

► Fig.6: 1. Hastighetsspak

⚠ FÖRSIKTIGT: Dra alltid hastighetsspaken hela vägen i korrekt läge. Om du använder maskinen och hastighetsspaken står halvvägs mellan sida "1" och sida "2" kan maskinen skadas.

⚠ FÖRSIKTIGT: Ändra inte hastighetsspaken medan maskinen roterar. I annat fall kan maskinen skadas.


Visar siffra	Hastighet	Vridmoment	Aktuell drift
1	Låg	Hög	Drift med hög belastning
2	Hög	Låg	Drift med lätt belastning


Stäng av verktyget innan du ändrar hastighet. Flytta hastighetsspaken så att "2" visas för hög hastighet eller så att "1" visas för låg hastighet men högt vridmoment. Kontrollera att hastighetsspaken står i rätt läge före användning.

Om verktygets hastighet sänks extremt mycket under ett arbetsmoment i läget då siffran "2" visas flyttar du spaken så att "1" visas och startar om arbetsmomentet.

Ställa in åtdragningsmomentet

► Fig.7: 1. Inställningsring 2. Gradering 3. Pil

Åtdragningsmomentet kan justeras i 22 steg genom att vrida på inställningsringen. Rikta in graderingssteget mot pilen på verktygskroppen. Vid 1 får du det minsta åtdragningsmomentet och vid  får du det maximala åtdragningsmomentet.

Kopplingen kommer att börja slira vid olika åtdragningsmoment när den ställs in på läge 1 till 21. Kopplingen fungerar inte vid -markeringen.

Innan du börjar arbeta bör du skruva i en provskruv i ditt material eller i ett stycke av samma material så att du vet vilket vridmoment som passar för varje specifik användning.

Följande är en grov överblick över förhållandet mellan skruvdimensioner och graderingssteg.

Gradering	1	2	3	4	5	6	7	8	9	10	11	12	13	14	15	16	17	18	19	20	21	
Maskinskruv	M4					M5										M6						
Träskruv	Mjukt trä (t.ex. tall)	-					φ3,5 x 22					φ4,1 x 38					-					
	Hårt trä (t.ex. lauan)	-					φ3,5 x 22					φ4,1 x 38					-					

MONTERING

⚠ FÖRSIKTIGT: Se alltid till att maskinen är avstängd och batterikassetten borttagen innan du underhåller maskinen.

Montering eller demontering av skruvbits/borr

► Fig.8: 1. Hylsa 2. Stäng 3. Öppna

Vrid hylsan moturs för att öppna chocken. Skjut in skruvbitset/borret i chocken så långt det går. Vrid hylsan medurs för att dra åt chocken. Vrid hylsan moturs när du ska ta bort skruvbitset/borret.

Monteringskrok

⚠ VARNING: Använd endast upphängnings-/ monteringsdelarna för sina avsedda ändamål, t.ex. att hänga verktyget på en verktygsrem mellan arbetstillfällena eller arbetsintervallen.

⚠ VARNING: Var försiktig så att du inte överbelastar kroken eftersom för mycket kraft eller ojämn överbelastning kan orsaka skador på verktyget, vilket kan leda till personskador.

⚠ FÖRSIKTIGT: När kroken monteras skall alltid skruven dras åt ordentligt. Om inte kan kroken lossa från maskinen och leda till personskada.

⚠ FÖRSIKTIGT: Se till att hänga upp verktyget ordentligt innan du släpper taget. Otillräcklig eller obalanserad fasthakning kan orsaka att det faller av och du kan skadas.

► Fig.9: 1. Spår 2. Krok 3. Skruv

Haken kan användas när du vill hänga upp verktyget temporärt. Den kan monteras på båda sidorna av maskinen. För att montera kroken sätter du i den i ett spår i maskinhuset på endera sida och drar fast den med en skruv. Ta bort kroken genom att skruva loss skruven.

Använda upphängningshålet

⚠ VARNING: Använd aldrig upphängningshålet för ej avsedd användning, t. ex. genom att binda upp verktyget på en hög plats. Bärande spänning i ett tungt belastat hål kan orsaka skador på hålet, vilket kan leda till skador på dig eller människor runt eller under dig.

► Fig.10: 1. Upphängningshål

Använd upphängningshålet på botten eller baksidan på verktyget för att hänga verktyget på en vägg med hjälp

av en upphängningssladd eller liknande band.

Montering av skruvbitshållare

Valfria tillbehör

► **Fig.11:** 1. Skruvbitshållare 2. Skruvbits

Passa in skruvbitshållaren på den utskjutande delen på verktygsfoten, antingen på höger eller vänster sida, och fäst den med en skruv.

Placera skruvbitset i hållaren när det inte används.

Skruvbits upp till 45 mm kan förvaras här.

Montera sidohandtaget (hjälpband)

Valfria tillbehör

► **Fig.12:** 1. Utskjutande del 2. Arm 3. Insänkning 4. Handtag

För in sidohandtaget så att de utskjutande delarna på stängan passar in i insänkningarna på verktyget. Vrid därefter handtaget medurs så det vrids fast.

Beroende på användningen kan du installera sidohandtaget på antingen maskinens högra eller vänstra sida.

ANVÄNDNING

⚠ FÖRSIKTIGT: Skjut alltid in batterikassetten ordentligt tills den låses på plats. Om du kan se den röda indikatorn på knappens ovansida är den inte låst ordentligt. Skjut in den helt tills den röda indikatorn inte syns längre. I annat fall kan batterikassetten plötsligt lossna från maskinen och skada dig eller någon annan.

⚠ FÖRSIKTIGT: När hastigheten sjunker extremt mycket ska du minska belastningen eller stoppa maskinen för att undvika maskinskada.

Håll verktyget stadigt med en hand om handtaget och den andra handen under batteriet för att kontrollera vridningen.

► **Fig.13**

Skruvdragning


⚠ FÖRSIKTIGT: Anpassa inställningsringen så att du får rätt åtdragningsmoment för ditt arbete.

⚠ FÖRSIKTIGT: Se till att skruvbitset placeras rakt i skruvskallen för att inte skruven och/eller skruvbitset ska skadas.

Placera spetsen på skruvbitset i skruvhuvudet och tryck med maskinen. Starta maskinen sakt och öka sedan hastigheten gradvis. Släpp avtryckaren så fort kopplingen slirar.

OBS: Vid skruvning med träskruv är det lämpligt att förborra ett styrhål som är två tredjedelar av skruvens diameter. Det gör skruvdragningen enklare och förhindrar att träet spricker.

Borring

Vrid först inställningsringen så att pilen pekar mot markeringen . Försätt sedan enligt följande:

Borra i trä

Vid borring i trä uppnår du bäst resultat om du använder ett träborr med styrskruv. Styrskraven gör det enklare att borra genom att den drar in borret i arbetsstycket.

Borra i metall

För att borret inte ska halka när du börjar borra kan du göra ett märke med en syl och en hammare i punkten där hålet ska borras. Placera borrets spets i sylhålet och börja borra.

Använd ett smörjmedel vid borring i metall.

Undantagen är viss jämn och mässing som ska borras torrt.

⚠ FÖRSIKTIGT: Borringen går inte fortare för att du trycker hårdare på maskinen. Detta extra tryck skadar bara toppen på ditt borr, sänker maskinens prestanda och förkortar maskinens livslängd.

⚠ FÖRSIKTIGT: Håll ett stadigt tag i maskinen och var försiktig när borret börjar tränga igenom arbetsstycket. Det utvecklas en enorm kraft på maskinen/borret vid hålgenomslaget.

⚠ FÖRSIKTIGT: Ett borr som fastnat kan enkelt backas ur genom att reversera borringens rotationsriktning. Maskinen kan dock plötsligt backa ut om du inte håller i den ordentligt.

⚠ FÖRSIKTIGT: Fäst alltid arbetsstycken i ett städ eller liknande fasthållningsanordningar.

⚠ FÖRSIKTIGT: Om maskinen används löpande tills batteriet är tomt bör maskinen vila 15 minuter innan du fortsätter arbetet med ett laddat batteri.

UNDERHÅLL

⚠ FÖRSIKTIGT: Se alltid till att maskinen är avstängd och batterikassetten borttagen innan inspektion eller underhåll utförs.

OBSERVERA: Använd inte bensin, förtunningsmedel, alkohol eller liknande. Missfärgning, deformation eller sprickor kan uppstå.

För att upprätthålla produktens SÄKERHET och TILLFÖRLITLIGHET bör allt underhålls- och justeringsarbete utföras av ett auktoriserat Makita servicecenter och med reservdelar från Makita.

VALFRIA TILLBEHÖR

⚠ FÖRSIKTIGT: Följande tillbehör eller tillsatser rekommenderas för användning med den Makita-maskin som denna bruksanvisning avser. Om andra tillbehör eller tillsatser används kan det uppstå risk för personskador. Använd endast tillbehören eller tillsatserna för de syften de är avsedda för.

Kontakta ditt lokala Makita servicecenter om du behöver ytterligare information om dessa tillbehör.

- Borr
- Skruvbits
- Skruvbitshållare
- Krok
- Sidohandtag
- Makitas originalbatteri och -laddare

OBS: Några av tillbehören i listan kan vara inkluderade i maskinpaketet som standardtillbehör. De kan variera mellan olika länder.

TEKNISKE DATA

Modell:		DDF484
Borekapasitet	Stål	13 mm
	Tre	38 mm
Festekapasitet	Treskrue	10 mm x 90 mm
	Maskinskrue	M6
Hastighet uten belastning	Høy (2)	0 - 2 000 min ⁻¹
	Lav (1)	0 - 500 min ⁻¹
Total lengde		162 mm eller 172 mm (landsspesifikk)
Nominell spenning		DC 18 V
Nettovekt		1,5 - 2,2 kg

- På grunn av vårt kontinuerlige forsknings- og utviklingsprogram kan spesifikasjonene som oppgis i dette dokumentet endres uten varsel.
- Spesifikasjonene kan variere fra land til land.
- Vekten kan variere avhengig av tilbehøret/tilbehørene, inkludert batteriet. Den letteste og tyngste kombinasjonen vises i tabellen.

Passende batteri og lader

Batteriinnsett	BL1815N / BL1820B / BL1830B / BL1840B / BL1850B / BL1860B
Lader	DC18RC / DC18RD / DC18RE / DC18SD / DC18SE / DC18SF / DC18SH / DC18WC

- Noen av batteriene og laderne som er opplistet ovenfor er kanskje ikke tilgjengelige, avhengig av hvor du bor.

⚠ADVARSEL: Bruk kun de batteriene og laderne som er opplistet ovenfor. Bruk av andre batterier og ladere kan føre til personskader og/eller brann.

Riktig bruk

Maskinen er beregnet til boring og skruing i tre, metall og plast.

Støy

Typisk A-vektet lydtryknivå er bestemt i henhold til EN62841-2-1:

Lydtryknivå (L_{pA}): 79 dB (A)

Usikkerhet (K): 3 dB (A)

Støynivået under arbeid kan overskride 80 dB (A).

MERK: Den/de oppgitte verdi(e) for genererte vibrasjoner har blitt målt i henhold til standard testmetoder, og kan bli brukt til å sammenligne ett verktøy med et annet.

MERK: Den/de angitte verdi(e) for de genererte vibrasjonene kan også brukes til en foreløpig vurdering av eksponeringen.

⚠ADVARSEL: Bruk hørselsvern.

⚠ADVARSEL: De genererte vibrasjonene ved faktisk bruk av elektroverktøyet kan avvike fra den/de angitte vibrasjonsverdi(e), avhengig av hvordan verktøyet brukes.

⚠ADVARSEL: Sørg for å identifisere vernetiltak for å beskytte operatøren, som er basert på et estimat av eksponeringen under de faktiske bruksforholdene (idet det tas hensyn til alle deler av driftssyklusen, dvs. hvor lenge verktøyet er slått av, hvor lenge det går på tomgang og hvor lenge startbryteren faktisk holdes trykket).

Vibrasjoner

Den totale vibrasjonsverdien (triaksial vektorsum) bestemt i henhold EN62841-2-1:
Arbeidsmodus: Bore inn i metall
Genererte vibrasjoner ($a_{h,D}$): 2,5 m/s² eller mindre
Usikkerhet (K): 1,5 m/s²

MERK: Den/de oppgitte verdien(e) for totalt genererte vibrasjoner har blitt målt i henhold til standard testmetoder, og kan bli brukt til å sammenligne ett verktøy med et annet.

MERK: Den/de angitte verdien(e) for totalt genererte vibrasjoner kan også brukes til en foreløpig vurdering av eksponeringen.

⚠ ADVARSEL: De genererte vibrasjonene ved faktisk bruk av elektroverktøyet kan avvike fra den/de angitte vibrasjonsverdien(e), avhengig av hvordan verktøyet brukes og spesielt i forhold til arbeidsstykket som blir behandlet.

⚠ ADVARSEL: Sørg for å identifisere vernetiltak for å beskytte operatøren, som er basert på et estimat av eksponeringen under de faktiske bruksforholdene (idet det tas hensyn til alle deler av driftssyklusen, dvs. hvor lenge verktøyet er slått av, hvor lenge det går på tomgang og hvor lenge startbryteren faktisk holdes trykket).

Samsvarserklæringer

Gjelder kun for land i Europa

Samsvarserklæringene er lagt til som vedlegg A i denne bruksanvisningen.

SIKKERHETSADVARSEL

Generelle advarsler angående sikkerhet for elektroverktøy

⚠ ADVARSEL Les alle sikkerhetsadvarsler, instruksjoner, illustrasjoner og spesifikasjoner som følger med dette elektroverktøyet. Hvis ikke alle instruksjonene nedenfor følges, kan det føre til elektrisk støt, brann og/eller alvorlig personskade.

Oppbevar alle advarsler og instruksjoner for senere bruk.

Uttrykket «elektrisk verktøy» i advarslene refererer både til elektriske verktøy (med ledning) tilkoblet strømmettet, og batteridrevne verktøy (uten ledning).

Sikkerhetsadvarsler for den batteridrevne borskruttrekkeren

Sikkerhetsanvisninger for all bruk

1. **Hold elektroverktøyet i de isolerte gripeflatene når skjæretilbehøret eller festemekanismene kan komme i kontakt med skjulte ledninger under arbeidet.** Hvis skjæretilbehøret eller festemekanismene kommer i kontakt med en strømførende ledning, kan metalldelene på elektroverktøyet bli strømførende og føre til at brukeren får støt.
2. **Pass på at du har godt fotfeste. Forviss deg om at ingen står under deg når du jobber høyt over bakken.**
3. **Hold godt fast i verktøyet.**

4. **Hold hendene unna roterende deler.**
5. **Ikke gå fra verktøyet mens det er i gang. Verktøyet må bare brukes mens operatøren holder det i hendene.**
6. **Ikke ta i et boret arbeidsstykket rett etter saging. De vil være ekstremt varme, og du kan brenne deg.**
7. **Enkelte materialer inneholder kjemikalier som kan være giftige. Treff tiltak for å hindre hudkontakt og innånding av støv. Følg leverandørens sikkerhetsanvisninger.**
8. **Hvis du ikke klarer å løse boret selv om du åpner kjevene, drar du det ut ved hjelp av en tang. Når du drar ut boret for hånd, må du passe på at du ikke skader deg på den skarpe kanten.**
9. **Pass på at det ikke finnes noen elektriske kabler, vannrør, gassrør, osv. som kan utgjøre en fare hvis de blir skadet av verktøyet.**

Sikkerhetsanvisninger ved bruk av lange bor

1. **Boret må aldri brukes ved høyere hastighet enn borets maksimale hastighetsklasse.** Ved høyere hastigheter er det sannsynlig at boret bøyer seg hvis det får rotere fritt uten kontakt med arbeidsstykket og derved fører til personskade.
2. **Boring skal alltid startes ved lav hastighet og med borspissen i kontakt med arbeidsstykket.** Ved høyere hastigheter er det sannsynlig at boret bøyer seg hvis det får rotere fritt uten kontakt med arbeidsstykket og derved fører til personskade.
3. **Trykk skal kun påføres i direkte linje med boret, og ikke bruk for mye kraft.** Bor kan bøye seg og knekke eller komme ut av kontroll og derved føre til personskade.

TA VARE PÅ DISSE INSTRUKSENE.

⚠ ADVARSEL: IKKE LA hensynet til hva som er "behagelig" eller det faktum at du kjenner produktet godt (etter mange gangers bruk) gjøre deg mindre oppmerksom på sikkerhetsreglene for bruken av det aktuelle produktet. Ved MISBRUK eller hvis ikke sikkerhetsreglene i denne bruksanvisningen følges, kan det oppstå alvorlig personskade.

Viktige sikkerhetsanvisninger for batteriinnsetts

1. **Før du begynner å bruke batteriet, må du lese alle anvisninger og forsiktighetsregler på (1) batteriladeren, (2) batteriet og (3) det produktet batteriet skal brukes i.**
2. **Ikke demonter eller tukle batteriet.** Det kan føre til brann, overoppheting eller eksplosjon.
3. **Hvis driftstiden er blitt vesentlig kortere, må du omgående slutte å bruke maskinen. Hvis ikke kan resultatet bli overoppheting, mulige forbrenninger eller til og med en eksplosjon.**
4. **Hvis du får elektrolytt i øynene, må du skylle dem med store mengder rennende vann og oppsøke lege med én gang. Denne typen uhell kan føre til varig blindhet.**
5. **Ikke kortslutt batteriet:**

- (1) De kan være ekstremt varme og du kan brenne deg.
- (2) Ikke lagre batteriet i samme beholder som andre metallgjenstander, som for eksempel spiker, mynter osv.
- (3) Ikke la batteriet komme i kontakt med vann eller regn.

En kortslutning av batteriet kan føre til et kraftig strømstøt, overoppvarming, mulige forbrenninger og til og med til at batteriet går i stykker.

6. Ikke oppbevar og bruk verktøyet og batteriet på steder hvor temperaturen kan komme opp eller overskride 50 °C.
7. Ikke sett fyr på batteriet, ikke engang om det er sterkt skadet eller helt utslitt. Batteriet kan eksplodere hvis det begynner å brenne.
8. Du må ikke spikre, skjære, klemme, kaste eller miste batteriet, og heller ikke slå en hard gjenstand mot batteriet. En slik oppførsel kan føre til brann, overoppheting eller eksplosjon.
9. Ikke bruk batterier som er skadet.
10. Lithium-ion-batteriene som medfølger er gjenstand for krav om spesialavfall.

For kommersiell transport, f.eks av tredjeparter eller speditorer, må spesielle krav om pakking og merking følges.

Før varen blir sendt, må du forhøre deg med en ekspert på farlig materiale. Ta også hensyn til muligheten for mer detaljerte nasjonale bestemmelser.

Bruk teip eller maskeringsteip for å skjule åpne kontakter og pakk inn batteriet på en slik måte at den ikke kan bevege seg rundt i emballasjen.

11. Når du kasserer batteriinnsetningen, må du ta den ut av verktøyet og avhende den på et sikkert sted. Følg lokale bestemmelser for avhending av batterier.
12. Bruk batteriene kun med produkter spesifisert av Makita. Montere batteriene i produkter som ikke er konforme kan føre til brann, overheting eller elektrolyttlekkasje.
13. Hvis verktøyet ikke skal brukes over en lengre periode, må batteriet tas ut av verktøyet.
14. Under og etter bruk kan batteriet bli varmt og før til brannskader. Vær forsiktig med håndteringen av varme batterier.
15. Ikke berører terminalen på verktøyet rett etter bruk, da den kan bli varm og forårsake brannskader.
16. Ikke la spon, støv eller jord sette seg fast i terminalene, hullene og sporene i batteriet. Det kan føre til at batteriet eller verktøyet blir overopphetet, begynner å brenne, sprekker eller ikke fungerer som det skal, og forårsake brannskader eller personskade.
17. Med mindre verktøyet støtter bruk nær en høyspent strømlinje, skal ikke batteriet brukes nær en høyspent strømlinje. Det kan føre til en funksjonsfeil eller at verktøyet eller batteriet slutter å fungere.
18. Oppbevar batteriet utilgjengelig for barn.

TA VARE PÅ DISSE INSTRUKSENE.

⚠FORSIKTIG: Bruk kun originale Makita-batterier. Bruk av batterier som har endret seg, eller som ikke er originale Makita-batterier, kan føre til at batteriet sprekker og forårsaker brann, personskader og andre skader. Det vil også ugyldiggjøre garantien for Makita-verktøyet og -laderen.

Tips for å opprettholde maksimal batterilevetid

1. Lad batteriinnsetningen før den er helt utladet. Stopp alltid driften av verktøyet og lad batteriinnsetningen når du merker at effekten reduseres.
2. Lad aldri en batteriinnsetning som er fulladet. Overopplading forkorter batteriets levetid.
3. Lad batteriet i romtemperatur ved 10 °C - 40 °C. Et varmt batteri må kjøles ned før lading.
4. Når batteriet ikke er i bruk, skal det tas ut av verktøyet eller laderen.
5. Lad batteriet hvis det ikke har vært brukt på en lang stund (over seks måneder).

FUNKSJONSBE- SKRIVELSE

⚠FORSIKTIG: Forviss deg alltid om at maskinen er slått av og batteriet tatt ut før du justerer maskinen eller kontrollerer dens mekaniske funksjoner.

Sette inn eller ta ut batteri

⚠FORSIKTIG: Slå alltid av verktøyet før du setter inn eller fjerner batteriet.

⚠FORSIKTIG: Hold verktøyet og batteripatronen i et fast grep når du monterer eller fjerner batteripatronen. Hvis du ikke holder verktøyet og batteripatronen godt fast, kan du miste grepet, og dette kan føre til skader på verktøyet og batteripatronen samt personskader.

Når du skal sette inn batteriet, må du plassere tungen på batteriet på linje med sporet i huset og skyve batteriet på plass. Skyv det helt inn til det går i inngrep med et lite klikk. Hvis du kan se den røde indikatoren som vist i figuren, er det ikke helt låst.

For å ta ut batteriet må du skyve på knappen foran på batteriet og trekke det ut.

► Fig. 1: 1. Rød indikator 2. Knapp 3. Batteriinnsetning

⚠FORSIKTIG: Batteriet må alltid settes helt inn, så langt at den røde indikatoren ikke lenger er synlig. Hvis dette ikke gjøres, kan batteriet falle ut av verktøyet og skade deg eller andre som oppholder seg i nærheten.

⚠FORSIKTIG: Ikke bruk makt når du setter i batteriet. Hvis batteriet ikke glir lett inn, er det fordi det ikke settes inn på riktig måte.

Indikere gjenværende batterikapasitet

Kun for batterier med indikatoren

Trykk på sjekk-knappen på batteriet for vise gjenværende batterikapasitet. Indikatorlampene lyser i et par sekunder.

► Fig.2: 1. Indikatorlamper 2. Kontrollknapp

Indikatorlamper			Gjenværende batterinivå
Tent	Av	Blinker	
			75 % til 100 %
			50 % til 75 %
			25 % til 50 %
			0 % til 25 %
			Lad batteriet.
			Batteriet kan ha en feil.

MERK: Det angitte nivået kan avvike noe fra den faktiske kapasiteten alt etter bruksforholdene og den omgivende temperaturen.

MERK: Den første (helt til venstre) indikatorlampen vil blinke når batterivernsystemet fungerer.

Batterivernsystem for verktøy/batteri

Verktøyet er utstyrt med et batterivernsystem for verktøy/batteri. Dette systemet slår automatisk av strømmen for å forlenge verktøyets og batteriets levetid. Verktøyet stopper automatisk under drift hvis verktøyet eller batteriet utsettes for en av følgende tilstander:

Overlastsikring

Denne sikringen slår inn når verktøyet brukes på en måte som gjør at det trekker uvanlig mye strøm. Hvis dette skjer, må du slå av verktøyet og avslutte bruken som forårsaket at verktøyet ble overbelastet. Slå deretter verktøyet på for å starte det igjen.

Overopphetingsvern

Dette vernet slår inn når verktøyet eller batteriet blir overopphetet. I denne situasjonen lar du verktøyet og batteriet avkjøles før du starter verktøyet på nytt.

Overutladingsvern

Dette vernet slår inn når det er lite strøm igjen på batteriet. I denne situasjonen tar du batteriet ut av verktøyet og lader det.

Bryterfunksjon

► Fig.3: 1. Startbryter

⚠FORSIKTIG: Før du setter batteriet inn i maskinen, må du alltid kontrollere at startbryteren aktiverer maskinen på riktig måte og går tilbake til «AV»-stilling når den slippes.

For å starte maskinen, må du trykke på startbryteren. Når du trykker hardere på startbryteren, øker hastigheten på verktøyet. Slipp opp bryteren for å stanse verktøyet.

MERK: Verktøyet stopper automatisk hvis du holder inne startbryteren i mer enn 6 minutter.

Tenne frontlampen

► Fig.4: 1. Lampe

⚠FORSIKTIG: Ikke se inn i lyset eller se direkte på lyskilden.

Trykk inn startbryteren for å tenne lampen. Lampen fortsetter å lyse så lenge startbryteren holdes inne. Lampen slukkes omtrent 10 sekunder etter at startbryteren er sluppet.

MERK: Når verktøyet er overopphetet, stanser det automatisk, og lampen begynner å blinke. Hvis så er tilfelle, utløs startbryteren. Lampen slukkes i løpet av ett minutt.

MERK: Bruk en tørr klut til å tørke støv osv. av lampelinsen. Vær forsiktig så det ikke blir riper i lampelinsen, da dette kan redusere lysstyrken.

Reverseringsfunksjon

► Fig.5: 1. Reverseringsspak

⚠FORSIKTIG: Før arbeidet begynner, må du alltid kontrollere rotasjonsretningen.

⚠FORSIKTIG: Bruk reversbryteren bare etter at verktøyet har stoppet helt. Hvis du endrer rotasjonsretningen før verktøyet har stoppet, kan det bli ødelagt.

⚠FORSIKTIG: Når du ikke skal bruke maskinen lenger, må du alltid sette reversbryteren i nøytral stilling.

Dette verktøyet har en reversbryter som kan brukes til å endre rotasjonsretningen. Trykk inn reversbryteren fra «A»-siden for å velge rotasjon med klokken, eller fra «B»-siden for å velge rotasjon mot klokken. Når reversbryteren er i nøytral stilling, kan ikke startbryteren trykkes inn.

Turtallsendring

► Fig.6: 1. Hastighetsvelger

⚠️FORSIKTIG: Hastighetsvelgeren må alltid settes i helt riktig posisjon. Hvis du bruker maskinen med hastighetsvelgeren innstilt på et punkt midt mellom posisjon «1» og «2», kan maskinen bli ødelagt.

⚠️FORSIKTIG: Ikke bruk hastighetsvelgeren mens verktøyet er i bruk. Dette kan skade verktøyet.

Vist nummer	Hastighet	Moment	Aktuell drift
1	Lav	Høy	Drift med tung last

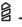

Vist nummer	Hastighet	Moment	Aktuell drift
2	Høy	Lav	Drift med lett last

Slå av verktøyet før du endrer hastighet. Skyv hastighetsvelgeren slik at den viser "2" for høy hastighet eller "1" for lav hastighet med høyt dreiemoment. Forviss deg om at hastighetsvelgeren er i riktig posisjon før du tar i bruk maskinen.

Hvis hastigheten på verktøyet reduseres betydelig under drift mens displayet viser "2", skyver du velgeren til displayet viser "1" og starter operasjonen på nytt.

Justere tiltrekkingsmomentet

► Fig.7: 1. Justeringsring 2. Gradinndeling 3. Pil

Tiltrekkingsmomentet kan justeres i 22 nivåer ved å dreie justeringsringen. Rett inn gradinndelingen med pilen på verktøykroppen. Du oppnår minimum tiltrekkingsmoment i posisjon 1 og maksimalt dreiemoment ved -merket. Clutchen vil slure på forskjellige momentnivåer når den er innstilt på nummer 1 til 21. Kløtsjen fungerer ikke ved -merking.

Før den faktiske arbeidsoperasjonen skal utføres, bør du skru inn en prøveskrue i materialet ditt, eller i et materiale av samme type, for å finne ut hvilket dreiemoment som kreves for en bestemt bruk.

Følgende viser en oversikt over forholdet mellom størrelse på skruen og gradinndelingen.

Gradinndeling	1	2	3	4	5	6	7	8	9	10	11	12	13	14	15	16	17	18	19	20	21						
Maskinskrue	M4					M5					M6																
Treskrue	Mykt tre (f.eks. furu)					–					φ3,5 x 22					φ4,1x 38					–						
	Hardt tre (f.eks. kryssfinér)					–					φ3,5 x 22					φ4,1x 38					–						

MONTERING

⚠️FORSIKTIG: Forviss deg alltid om at maskinen er slått av og batteriet tatt ut før du utfører noe arbeid på maskinen.

Montere eller demontere skrutrekkerbor eller bor

► Fig.8: 1. Hylse 2. Lukke 3. Åpne

Skru mansjett mot klokken for å åpne kjevne på kjoksen. Sett skrutrekkerboret/boret så langt inn i kjoksen som det vil gå. Vri mansjett med klokken for å stramme kjoksen. For å fjerne skrutrekkerboret/boret må du vri mansjett mot klokken.

Monteringskrok

⚠️ADVARSEL: Opphengs-/monteringsdelene skal kun brukes til det de er beregnet på, f.eks. å henge verktøyet på et verktøybelte mellom jobber eller arbeidsøkker.

⚠️ADVARSEL: Unngå å overbelaste kroken, da for mye kraft eller for tung last kan skade verktøyet, noe som igjen kan føre til personskade.

⚠️FORSIKTIG: Når du monterer kroken, må du stramme skruen godt. Hvis ikke kan kroken løsne fra verktøyet og forårsake personskade.

⚠️FORSIKTIG: Kontroller at verktøyet henger godt fast før du slipper taket. Hvis verktøyet ikke henger godt nok fast eller er i ubalanse, kan det falle ned og skade deg.

► Fig.9: 1. Spor 2. Krok 3. Skrue

Kroken er praktisk for å henge opp verktøyet med for kortere tid. Den kan monteres på begge sider av verktøyet. For å montere kroken, må du sette den inn i sporet på en av sidene av verktøyhuset og feste den med en skrue. Ta den av igjen ved å løsne skruen.

Bruk av opphengshullet

⚠️ADVARSEL: Aldri bruk opphengshullet til noe det ikke er ment til, for eksempel å tjøre verktøyet på et høyt sted. Stor last i et tungt belastet hull kan forårsake skader på hullet, som kan føre til personskader på deg og andre personer rundt, eller under deg.

► Fig.10: 1. Opphengshull

Bruk opphengshullet i bunnen, bak på verktøyet for å henge det opp på en vegg med en opphengsstropp eller lignende.

Montere skrutrekkerborholder

Valgfritt tilbehør

► **Fig.11:** 1. Skrutrekkerborholder 2. Skrutrekkerbor

Sett skrutrekkerborholderen inn i fremspringet på foten av maskinen, enten på høyre eller venstre side og fest den med en skruer.

Når du ikke bruker skrutrekkerboret, må du oppbevare det i skrutrekkerborholderne. Her kan det oppbevares opptil 45 mm lange skrutrekkerbor.

Montere støttehåndtak (hjelpeshåndtak)

Valgfritt tilbehør

► **Fig.12:** 1. Fremspring 2. Arm 3. Utsparing 4. Håndtak

Plasser sidehåndtaket slik at fremspringene på armen passer inn i utsparingene på verktøyet. Stram deretter håndtaket ved å vri med klokken.

Avhengig av hva du skal gjøre, kan du montere sidehåndtaket enten på høyre eller venstre side av verktøyet.

BRUK

⚠FORSIKTIG: Batteriet må alltid settes helt inn, til det låses på plass. Hvis du kan se den røde anviseren på oversiden av knappen, er det ikke fullstendig låst. Sett batteriet helt inn, så langt at den røde anviseren ikke lenger er synlig. Hvis dette ikke gjøres, kan batteriet falle ut av maskinen og skade deg eller andre som oppholder seg i nærheten.

⚠FORSIKTIG: Når hastigheten reduseres kraftig, må du redusere belastningen på verktøyet eller stoppe det for å unngå skade på verktøyet.

Hold maskinen godt med en hånd på håndtaket og den andre hånden nederst på batteripatronen for å holde kontroll på svinge-bevegelsene.

► **Fig.13**

Skrutrekkerfunksjon


⚠FORSIKTIG: Bruk justeringsringen til å stille inn korrekt momentnivå for den jobben du skal gjøre.

⚠FORSIKTIG: Pass på at skrutrekkerbitset er satt rett ned i skruhodet, ellers kan skruen og/eller skrutrekkerboret bli skadet.

Plasser spissen av boret i skruhodet og bruk trykk på verktøyet. Start verktøyet sakte. Øk hastigheten gradvis. Slipp opp startbryteren når clutchen slår inn.

MERK: Når du skrur inn en treskrue, må du forhånds-bore et pilothull på 2/3 av skruens diameter. Dette gjør det enklere å skru inn skruen, og hindrer at treverket sprekker.

Borfunksjon

Vri først justeringsringen slik at pilen peker mot -merket. Fortsett deretter som følger.

Bore i tre

Når du borer i tre, blir resultatene best med trebor som er utstyrt med en ledeskrue. Ledeskruen forenkler boringen ved at den trekker skrutrekkerboret inn i arbeidsstykket.

Bore i metall

For at ikke skrutrekkerboret skal gli når du begynner å bore, må du lage en fordykning med en dor og en hammer der hullet skal bores. Sett spissen av skrutrekkerboret i fordypningen og begynn å bore. Bruk et skjæremiddel når du borer i metall. Unntakene er jern og messing som skal bores i tørr tilstand.

⚠FORSIKTIG: Hvis du bruker for mye kraft på verktøyet, vil det ikke øke borehastigheten. Overdreven bruk av kraft vil tvert imot kunne bidra til å ødelegge spissen av skrutrekkerboret, redusere verktøyeffekten og forkorte verktøyet levetid.

⚠FORSIKTIG: Hold verktøyet i et fast grep, og vær forsiktig når skrutrekkerboret begynner å bryte gjennom arbeidsstykket. I gjennombruddsøyeblikket virker det en enorm kraft på verktøyet/skrutrekkerboret.

⚠FORSIKTIG: Et skrutrekkerbor som sitter fast kan fjernes hvis du setter reversbryteren til motsatt rotasjonsretning, så verktøyet kan bakke ut. Verktøyet kan imidlertid komme brått ut hvis du ikke holder det i et fast grep.

⚠FORSIKTIG: Arbeidsstykker må alltid festes med en skrustikke eller en liknende festeanordning.

⚠FORSIKTIG: Hvis verktøyet brukes kontinuerlig inntil batteriet er utladet, må du la verktøyet hvile i 15 minutter før du fortsetter med et nytt batteri.

VEDLIKEHOLD

⚠FORSIKTIG: Forviss deg alltid om at maskinen er slått av og batteriet tatt ut før du foretar inspeksjon eller vedlikehold.

OBS: Aldri bruk gasolin, bensin, tynner alkohol eller lignende. Det kan føre til misfarging, deformering eller sprekkdannelse.

For å opprettholde produktets SIKKERHET og PÅLITELIGHET, må reparasjoner, vedlikehold og justeringer utføres av autoriserte Makita servicesentre eller fabrikk-servicesentre, og det må alltid brukes reservedeler fra Makita.

VALGFRITT TILBEHØR

⚠️ FORSIKTIG: Det anbefales at du bruker dette tilbehøret eller verktøyet sammen med den Makita-maskinen som er spesifisert i denne håndboken. Bruk av annet tilbehør eller verktøy kan forårsake personskader. Tilbehør og verktøy må kun brukes til det formålet det er beregnet på.

Ta kontakt med ditt lokale Makita-servicesenter hvis du trenger mer informasjon om dette tilbehøret.

- Bor
- Skrutrekkerbor
- Skrutrekkerborholder
- Krok
- Støttehåndtak
- Makita originalbatteri og lader

MERK: Enkelte elementer i listen kan være inkludert som standardtilbehør i verktøypakken. Elementene kan variere fra land til land.

TEKNISET TIEDOT

Malli:		DDF484
Porauskapasiteetti	Teräs	13 mm
	Puu	38 mm
Kiinnityskapasiteetti	Puuruuvi	10 mm x 90 mm
	Koneruuvi	M6
Kuormittamaton kierrosnopeus	Korkea (2)	0 - 2 000 min ⁻¹
	Matala (1)	0 - 500 min ⁻¹
Kokonaispituus		162 mm tai 172 mm (Maakohtainen)
Nimellisjännite		DC 18 V
Nettopaino		1,5 - 2,2 kg

- Jatkuvasta tutkimus- ja kehitystyöstämme johtuen esitetyt tekniset tiedot saattavat muuttua ilman erillistä ilmoitusta.
- Tekniset tiedot voivat vaihdella maittain.
- Paino saattaa vaihdella lisävarusteiden ja akkupaketin mukaan. Taulukossa on kuvattu kevyin ja painavin yhdistelmä.

Käytettävä akkupaketti ja laturi

Akkupaketti	BL1815N / BL1820B / BL1830B / BL1840B / BL1850B / BL1860B
Laturi	DC18RC / DC18RD / DC18RE / DC18SD / DC18SE / DC18SF / DC18SH / DC18WC

- Tiettyjä yläpuolella kuvattuja akkuja ja latureita ei ehkä ole saatavana asuinalueestasi johtuen.

VAROITUS: Käytä vain edellä eriteltyjä akkupaketteja ja latureita. Muiden akkupaketin ja laturien käyttäminen voi aiheuttaa loukkaantumisen ja/tai tulipalon.

Käyttötarkoitus

Työkalu on tarkoitettu puun, metallin ja muovin poraamiseen ja ruuvaamiseen.

Melutaso

Tyypillinen A-painotettu melutaso määräytyy standardin EN62841-2-1 mukaan:

Äänenpainetaso (L_{pA}): 79 dB (A)

Virhemarginaali (K): 3 dB (A)

Työskentelyn aikana melutaso voi ylittää 80 dB (A).

HUOMAA: Ilmoitetut melutasoarvot on mitattu standarditestausmenetelmän mukaisesti ja niiden avulla voidaan vertailla työkaluja keskenään.

HUOMAA: Ilmoitettuja melutasoarvoja voidaan käyttää myös altistumisen alustavaan arviointiin.

VAROITUS: Käytä kuulosuojaimia.

VAROITUS: Sähkötyökalun käytön aikana mitattu melutasoarvo voi poiketa ilmoitetuista arvoista laitteen käyttötavan ja erityisesti käsiteltävän työkappaleen mukaan.

VAROITUS: Selvitä käyttäjän suojaamiseksi tarvittavat varoimet todellisissa käyttöolosuhteissa tapahtuvan arvioidun altistumisen mukaisesti (ottaen huomioon käyttöjako kokonaisuudessaan, myös jaksot, joiden aikana laite on sammutettuna tai käy tyhjäkäynnillä).

Tärinä

Kokonaistärinä (kolmen akselin vektorien summa) määräytyy standardin EN62841-2-1 mukaan:

Työtila: metalliin poraus

Tärinäpäästö ($a_{h,D}$): 2,5 m/s² tai alaisempi

Virhemarginaali (K): 1,5 m/s²

HUOMAA: Ilmoitetut kokonaistärinäarvot on mitattu standarditestausmenetelmän mukaisesti ja niiden avulla voidaan vertailla työkaluja keskenään.

HUOMAA: Ilmoitettuja kokonaistärinäarvoja voidaan käyttää myös altistumisen alustavaan arviointiin.

VAROITUS: Sähkötyökalun käytön aikana mitattu todellinen tärinäpäästöarvo voi poiketa ilmoitetuista arvoista laitteen käyttötavan ja erityisesti käsiteltävän työkappaleen mukaan.

VAROITUS: Selvitä käyttäjän suojaamiseksi tarvittavat varoimet todellisissa käyttöolosuhteissa tapahtuvan arvioidun altistumisen mukaisesti (ottaen huomioon käyttöajaksi kokonaisuuksensa, myös jaksot, joiden aikana laite on sammutettuna tai käy tyhjäkäynnillä).

Vaatumustenmukaisuusvaatimukset

Koskee vain Euroopan maita

Vaatumustenmukaisuusvaatimukset on liitetty tähän käyttöoppaaseen liitteeksi A.

TURVAVAROITUKSET

Sähkötyökalujen käyttöä koskevat yleiset varoitukset

VAROITUS Tutustu kaikkiin tämän sähkötyökalun mukana toimitettuihin turvavaroituksiin, ohjeisiin, kuviin ja teknisiin tietoihin. Seuraavassa esitettyjen ohjeiden noudattamatta jättäminen voi aiheuttaa sähköiskun, tulipalon ja/tai vakavan vamman.

Säilytä varoitukset ja ohjeet tulevaa käyttöä varten.

Varoituksissa käytettävällä termillä "sähkötyökalu" tarkoitetaan joko verkkovirtaa käyttävää (johdollista) työkalua tai akkukäyttöistä (johdotonta) työkalua.

Akkuporakoneen turvavaroitukset

Kaikkea käyttöä koskevat turvallisuusohjeet

1. Kun suoritat toimenpidettä, jossa leikkuuvaruste tai kiinnitin voi joutua kosketukseen piilossa olevien johtojen kanssa, pidä sähkötyökalusta kiinni sen eristettyjen otepintojen kohdalta. Jos leikkuuvaruste tai kiinnitin joutuu kosketukseen jännitteellisen johdon kanssa, jännite voi siirtyä sähkötyökalun sähköä johtaviin metalliosiin ja aiheuttaa käyttäjälle sähköiskun.
2. Seiso aina tukevassa asennossa. Varmista korkealla työskennellessäsi, että ketään ei ole alapuolella.
3. Ota koneesta luja ote.
4. Pidä kädet loitolla pyöriä osista.
5. Älä jätä konetta käymään itseksensä. Käytä laitetta vain silloin, kun pidät sitä kädessä.
6. Älä kosketa poranterää, työkalupäätä tai lasuja välittömästi käytön jälkeen, sillä ne voivat olla erittäin kuumia ja saattavat polttaa ihoa.
7. Jotkin materiaalit sisältävät kemikaaleja, jotka voivat olla myrkyllisiä. Huolehdi siitä, että pölyn sisäänhengittäminen ja ihokosketus estetään. Noudata materiaalin toimittajan turvaohjeita.

8. Jos poranterää ei voi irrottaa vaikka avaisit leuat, käytä pihtejä sen ulosvetämiseen. Tässä tapauksessa poranterän ulosvetäminen käsin voi aiheuttaa tapaturmia sen terävästä reunasta johtuen.
9. Varmista, etteivät työkalun käytön seurauksena mahdollisesti vaurioituvat sähköjohdot, vesiputket, kaasuputket jne. voi aiheuttaa vaaratilanteita.

Pitkien poranterien käyttöä koskevat turvallisuusohjeet

1. Älä koskaan käytä työkalua poranterän enimmäisnopeutta suuremmalla nopeudella. Suuremmilla nopeuksilla terä voi taipua, jos se pääsee pyörimään vapaasti ilman kosketusta työkalupäälleen, ja tämä voi johtaa henkilövammiin.
2. Aloita poraaminen aina hiljaisella nopeudella ja niin, että poranterä on kiinni työkalupäälle. Suuremmilla nopeuksilla terä voi taipua, jos se pääsee pyörimään vapaasti ilman kosketusta työkalupäälleen, ja tämä voi johtaa henkilövammiin.
3. Paina poranterää vain sen suuntaisesti. Älä paina poranterää liian suurella voimalla. Poranterät voivat taipua ja murtua tai voit menettää työkalun hallinnan, mikä voi johtaa henkilövammiin.

SÄILYTÄ NÄMÄ OHJEET.

VAROITUS: ÄLÄ anna työkalun helppokäyttöisyyden (toistuvan käytön aikaansaama) johtaa sinua vääriin turvallisuuden tunteeseen niin, että laiminlyöt työkalun turvaohjeiden noudattamisen. VÄÄRINKÄYTTÖ tai tässä käyttöohjeessa ilmoitettujen turvamääräysten laiminlyönti voi aiheuttaa vakavia henkilövahinkoja.

Akkupakettia koskevia tärkeitä turvaohjeita

1. Ennen akun käyttöönottoa tutustu kaikkiin laturissa (1), akussa (2) ja akkukäyttöisessä tuotteessa (3) oleviin varoitusteksteihin.
2. Älä pura tai peukaloi imuria akkupakettia. Se voi johtaa tulipaloon, ylikuumenemiseen tai räjähdykseen.
3. Jos akun toiminta-aika lyhenee merkittävästi, lopeta akun käyttö. Seurauksena voi olla ylikuumeneminen, palovammoja tai jopa räjähdys.
4. Jos akkunestettä pääsee silmiin, huuhtelee puhtaalla vedellä ja hakeudu välittömästi lääkärin hoitoon. Akkuneste voi aiheuttaa näön menetyksen.
5. Älä oikosulje akkua.
 - (1) Älä koske akun napoihin millään sähköä johtavalla materiaaalilla.
 - (2) Vältä akun oikosulkemista äläkä säilytä akkua yhdessä muiden metalliesineiden, kuten naulojen, kolikoiden ja niin edelleen kanssa.
 - (3) Älä aseta akkua alttiiksi vedelle tai sateelle.

Oikosulku voi aiheuttaa virtapiikin, ylikuumentumista, palovammoja tai laitteen rikkoontumisen.

- Älä säilytä ja käytä työkalua ja akkupakettia paikassa, jossa lämpötila voi nousta 50 °C:een (122 °F) tai korkeammaksi.
- Älä hävitä akkua polttamalla, vaikka se olisi pahoin vaurioitunut tai täysin loppuun kulunut. Avotuli voi aiheuttaa akun räjähtämisen.
- Älä naulaa, leikkaa, purista, heitä tai pudota akkupakettia tai iske sitä kovia esineitä vasten. Tällaiset toimet voivat johtaa tulipaloon, ylikuumentumiseen tai räjähdykseen.
- Älä käytä viallista akkua.
- Sisältyviä litium-ioni-akkuja koskevat vaarallisten aineiden lainsäädännön vaatimukset. Esimerkiksi kolmansien osapuolten huolintaliikkeiden tulee kaupallisissa kuljetuksissa noudattaa pakkaamista ja merkintöjä koskevia erityisvaatimuksia. Lähetettävän tuotteen valmistelu edellyttää vaarallisten aineiden asiantuntijan neuvontaa. Huomioi myös mahdollisesti yksityiskohtaisemmat kansalliset määräykset. Akun avoimet liittimet tulee suojata teipillä tai suojuksella ja pakkaaminen tulee tehdä niin, ettei akku voi liikkua pakkauksessa.
- Kun akkupaketti on hävitettävä, poista se laitteesta ja hävitä se turvallisesti. Hävitä akku paikallisten määräysten mukaisesti.
- Käytä akkuja vain Makitan ilmoittamien tuotteiden kanssa. Akkujen asentaminen yhteensopimattomiin tuotteisiin voi aiheuttaa tulipalon, liiallisen ylikuumentumisen, räjähdyksen tai akkunestevuotoja.
- Jos laitetta ei käytetä pitkään aikaan, akku on poistettava laitteesta.
- Akkupaketin lämpötila voi käytön aikana ja sen jälkeen nousta niin kuumaksi, että se voi aiheuttaa palovammoja tai lieviä palovammoja. Käsittele kuumia akkupaketteja huolellisesti.
- Älä kosketa työkalun liittintä välittömästi käytön jälkeen, sillä se voi olla riittävän kuuma aiheuttamaan palovammoja.
- Älä päästä lastuja, pölyä tai maata akkupaketin liittimiin, aukkoihin ja uriin. Se voi johtaa työkalun tai akkupaketin lämpenemiseen, syyttymiseen, purkautumiseen tai toimintahäiriöön, mikä voi aiheuttaa palovammoja tai vammoja.
- Ellei työkalu tue käyttöä korkeajännitelinjojen lähellä, älä käytä akkupakettia korkeajännitelinjojen lähellä. Se voi johtaa työkalun tai akkupaketin toimintahäiriöön tai rikkoutumiseen.
- Pidä akku poissa lasten ulottuvilta.

SÄILYÄ NÄMÄ OHJEET.

⚠HUOMIO: Käytä vain alkuperäisiä Makita-akkuja. Muiden kuin aitojen Makita-akkujen, tai mahdollisesti muutettujen akkujen käyttö voi johtaa akun murtumiseen ja aiheuttaa tulipaloja, henkilö- ja omaisuusvahinkoja. Se mitätöi myös Makita-työkalun ja -laturin Makita-takuun.

Vihjeitä akun käyttöiän

pidentämiseksi

- Lataa akku ennen kuin se purkautuu täysin. Lopeta aina työkalun käyttö ja lataa akku, jos huomaat työkalun tehon vähenevän.
- Älä koskaan lataa uudestaan täysin ladattua akkua. Ylilataaminen lyhentää akun käyttöikä.
- Lataa akku huoneen lämpötilassa välillä 10 °C - 40 °C. Anna kuuman akun jäähtyä ennen lataamista.
- Irrota akkupaketti työkalusta tai laturista, kun sitä ei käytetä.
- Lataa akkupaketti, jos et käytä sitä pitkään aikaan (yli kuusi kuukautta).

TOIMINTOJEN KUVAUS

⚠HUOMIO: Varmista aina ennen säätöjä ja tarkastuksia, että työkalu on sammutettu ja akkupaketti irrotettu.

Akun asentaminen tai irrottaminen

⚠HUOMIO: Sammuta työkalu aina ennen akun kiinnittämistä tai irrottamista.

⚠HUOMIO: Pidä työkalusta ja akusta tiukasti kiinni, kun irrotat tai kiinnität akkua. Jos akkupaketti tai työkalu putoaa, ne voivat vaurioitua tai aiheuttaa tapaturman.

Akkupaketti asetetaan paikalleen sovittamalla akkupaketiin kieleke rungon uraan ja työntämällä se sitten paikalleen. Työnnä se pohjaan asti niin, että kuulet sen napsahtavan paikoilleen. Jos näet kuvan mukaisen punaisen ilmaisimen, lukitus ei ole täysin pitävä.

Irrota akku painamalla akun etupuolella olevaa painiketta ja vetämällä akku ulos työkalusta.

► **Kuva1:** 1. Punainen ilmaisin 2. Painike 3. Akkupaketti

⚠HUOMIO: Työnnä akkupaketti aina pohjaan asti, niin että punainen ilmaisin ei enää näy. Jos akkupaketti ei ole kunnolla paikallaan, se voi pudota työkalusta ja aiheuttaa vammoja joko sinulle tai sivullisille.

⚠HUOMIO: Älä käytä voimaa akun asennuksessa. Jos akku ei liu'u paikalleen helposti, se on väärässä asennossa.

Akun jäljellä olevan varustason ilmaisin

Vain akkupaketeille ilmaisimella

Painamalla tarkistuspainiketta saat näkyviin akun jäljellä olevan varauksen. Merkivalot palavat muutaman sekunnin ajan.

► **Kuva2:** 1. Merkivalot 2. Tarkistuspainike

Merkkivalot			Akussa jäljellä olevan varaus
Palaa	Pois päältä	Viikkuu	
			75% - 100%
			50% - 75%
			25% - 50%
			0% - 25%
			Lataa akku.
			Akussa on saattanut olla toimintahäiriö.

HUOMAA: Ilmoitettu varaustaso voi erota hieman todellisesta varaustasosta sen mukaan, millaisissa oloissa ja missä lämpötilassa laitetta käytetään.

HUOMAA: Ensimmäinen (vasemmanpuoleisin) merkkivalo viikkuu, kun akun suojausjärjestelmä on toiminnassa.

Työkalun/akun suojausjärjestelmä

Työkalu on varustettu työkalu/akun suojausjärjestelmällä. Tämä järjestelmä pidentää työkalun ja akun käyttöikää katkaisemalla virran automaattisesti. Työkalu pysähtyy automaattisesti kesken käytön, jos työkalussa tai akussa ilmenee jokin seuraavista tilanteista:

Ylikuormitussuoja

Tämä suojaus aktivoituu, kun työkalua käytetään tavalla, joka saa sen kuluttamaan epätavallisen paljon virtaa. Katkaise tässä tilanteessa työkalusta virta ja lopeta ylikuormitustilan aiheuttanut käyttö. Käynnistä sitten työkalu uudelleen kytkemällä siihen virta.

Ylikuumenemissuoja

Tämä suojaus aktivoituu, kun työkalu tai akku ylikuumentaa. Jos näin tapahtuu, anna työkalun ja akun jäähtyä ennen työkalun kytkemistä uudelleen päälle.

Ylipurkautumissuoja

Tämä suojaus aktivoituu, kun akun varaus on vähissä. Irrota tässä tapauksessa akku työkalusta ja lataa akku.

Kytkimen käyttäminen

► **Kuva3:** 1. Liipaisinkytkin

HUOMIO: Tarkista aina ennen akkupaketin asettamista työkaluun, että liipaisinkytkin kytkeytyy oikein ja palaa ”OFF”-asentoon, kun se vapautetaan.

Käynnistä työkalu painamalla liipaisinkytkintä. Mitä voimakkaammin liipaisinkytkintä painetaan, sitä nopeammin työkalu pyörii. Voit pysäyttää työkalun

vapauttamalla liipaisimen.

HUOMAA: Työkalu pysähtyy automaattisesti, jos liipaisinkytkintä painetaan yhtäjaksoisesti noin 6 minuutin ajan.

Etulampun sytyttäminen

► **Kuva4:** 1. Lamppu

HUOMIO: Älä katso suoraan lamppuun tai valonlähteeseen.

Lamppu syttyy, kun painat liipaisinkytkintä. Lamppu palaa niin kauan kuin liipaisinkytkintä painetaan. Lamppu sammuu noin 10 sekunnin kuluttua liipaisinkytkimen vapauttamisesta.

HUOMAA: Työkalun ylikuumentessa se pysähtyy automaattisesti ja lamppu alkaa viikkuu. Tällaisessa tapauksessa vapauta liipaisinkytkin. Lamppu sammuu yhden minuutin kuluttua.

HUOMAA: Pyyhi liika pois linssistä kuivalla liinalla. Varo naarmuttamasta linssiä, ettei valoteho laske.

Pyörimissuunnan vaihtokytkimen toiminta

► **Kuva5:** 1. Pyörimissuunnan vaihtokytkimen vipu

HUOMIO: Tarkista aina pyörimissuunta ennen käyttöä.

HUOMIO: Käytä pyörimissuunnan vaihtokytkintä vasta sen jälkeen, kun kone on lakannut kokonaan pyörimästä. Pyörimissuunnan vaihto koneen vielä pyöriessä voi vahingoittaa sitä.

HUOMIO: Aina kun konetta ei käytetä, käännä pyörimissuunnan vaihtokytkin keskiasentoon.

Työkalussa on pyörimissuunnan vaihtokytkin. Jos haluat koneen pyörivän myötäpäivään, paina vaihtokytkintä A-puolelta ja jos vastapäivään, paina sitä B-puolelta.

Jos pyörimissuunnan vaihtokytkin on keskiasennossa, liipaisinkytkin lukittuu.

Nopeuden muuttaminen

► **Kuva6:** 1. Nopeudenvaihtovipu

HUOMIO: Siirrä nopeudenvaihtokytkin aina täysin oikeaan asentoon. Jos käytät työkalua niin, että nopeudenvaihtovipu on asentojen ”1” ja ”2” puolelta, työkalu voi rikkoutua.

HUOMIO: Älä koske nopeudenvaihtovipuun, kun työkalu on käynnissä. Työkalu voi rikkoutua.

Näkyvä numero	Nopeus	Vääntömomentti	Soveltuva käyttö
1	Matala	Korkea	Raskas kuormituskäyttö
2	Korkea	Matala	Kevyt kuormituskäyttö

Kun haluat muuttaa nopeutta, katkaise ensin työkalusta virta. Työnnä nopeudenvaihtovipuun asentoon ”2” suurelle nopeudelle tai ”1” alhaiselle nopeudelle

mutta suurelle vääntömomentille. Varmista ennen käyttöä, että nopeudenvaihtovipu on asetettu haluttuun asentoon.

Jos työkalun nopeus pienenee huomattavasti, kun sitä käytetään asennossa "2", työnnä vipu asentoon "1" ja aloita käyttö uudelleen.

Kiinnitysvääntömomentin säätäminen

► **Kuva7:** 1. Säästörengas 2. Asteikko 3. Nuoli

Kiinnitysvääntömomenttia voi säätää 22 tasoon säästörengasta kiertämällä. Kierrä haluamasi asetus työkalun rungossa olevan nuolen kohdalle. Saat pienimmän kiinnitysvääntömomentin käyttäessäsi asetusta 1 ja suurinta asetusta 22 -merkki.

Kytkin liukuu erilaisten momenttitasojen välillä, kun se on asetettu välille 1 - 21. Kytkin ei toimi 22 -merkinnän kohdalla.

Ennen varsinaista käyttöä, aja koeruuvi materiaaliin tai kaksinkertaiseen materiaaliipalaseen määrittääksesi, mikä momenttitaso on sopiva kyseiseen käyttötarkoitukseen.

Seuraavassa on esitetty poranterän koon ja momenttiasetuksen välinen arvioitu suhde.

Asteikko	1	2	3	4	5	6	7	8	9	10	11	12	13	14	15	16	17	18	19	20	21				
Koneruuvi	M4					M5										M6									
Puuruuvi	Pehmeä puu (esim. mänty)					—					φ3,5 x 22					φ4,1 x 38					—				
	Kova puu (esim. lauan)					—					φ3,5 x 22					φ4,1 x 38					—				

KOKOONPANO

▲HUOMIO: Varmista aina ennen mitään työkalulle tehtäviä toimenpiteitä, että se on sammutettu ja akku irrotettu.

Ruuvauskärjen/poranterän asentaminen tai irrottaminen

► **Kuva8:** 1. Holkki 2. Kiinni 3. Auki

Avaa istukan leuat kääntämällä holkkia vastapäivään. Työnnä ruuvauskärki/poranterä niin syväälle istukkaan kuin se menee. Kiristä istukan leuat kääntämällä holkkia myötäpäivään. Irrota ruuvauskärki/poranterä kääntämällä holkkia vastapäivään.

Koukun asentaminen

▲VAROITUS: Käytä ripustus-/kiinnitysosia vain niiden käyttötarkoitukseen, kuten työkalun ripustamiseen työkaluvyöhön työtehtävien välillä tai taukojen ajaksi.

▲VAROITUS: Varo ylikuormittamasta koukkua, sillä liiallinen voima tai epätasainen voimanjakautuminen saattaa vaurioittaa työkalua ja aiheuttaa henkilövamman.

▲HUOMIO: Kun asennat koukun, kiristä se aina kiinni ruuvilla. Muutoin koukku voi irrota laitteesta ja aiheuttaa henkilövamman.

▲HUOMIO: Varmista ennen otteen irrottamista, että työkalu on ripustettu pitävästi. Riittämätön tai epätasainen ripustus saattaa johtaa putoamiseen ja aiheuttaa vammoja.

► **Kuva9:** 1. Ura 2. Koukku 3. Ruuvi

Työkalu voidaan kätevästi ripustaa väliaikaisesti koukkuun. Tämä voidaan asentaa kummalle puolelle työkalua tahansa. Asenna koukku työntämällä se työkalun rungon uraan jommallekummalle puolelle ja varmista kiinnitys ruuvilla. Voit irrottaa koukun löysäämällä ja irrottamalla ruuvin.

Reiän käyttö

▲VAROITUS: Älä koskaan käytä ripustusreikää sen käyttötarkoituksen vastaisesti, kuten työkalun kiinnittämiseen korkealla työskenneltäessä. Reikään kohdistuva raskas kuormitus saattaa vaurioittaa reikää, mikä voi johtaa itseesi tai ympärilläsi tai alapuolellasi olevien henkilöiden henkilövahinkoihin.

► **Kuva10:** 1. Ripustusreikä

Työkalun pohjassa on takana ripustusreikä, josta työkalun voi ripustaa roikkumaan seinälle ripustusnauhaa tai vastaavaa käyttämällä.

Ruuvauskärjen asennus

Lisävaruste

► **Kuva11:** 1. Ruuvauskärjen pidin 2. Ruuvauskärki

Aseta ruuvauskärjen pidin työkalun jalassa olevaan ulkonemaan joko vasemmalle tai oikealle puolelle ja kiinnitä se paikalleen ruuvilla.

Kun ruuvauskärkeä ei käytetä, säilytä sitä ruuvauskärjen pitimissä. Siinä voidaan säilyttää 45 mm:n pituisia ruuvauskärkiä.

Sivukahvan asentaminen (lisäkahva)

Lisävaruste

► **Kuva12:** 1. Ulkonema 2. Varsi 3. Aukko 4. Kahva

Aseta sivukahva paikalleen siten, että varressa olevat

ulkonemat osuvat työkalussa oleviin aukkoihin. Kiristä sitten kahva kääntämällä sitä myötäpäivään. Voit asentaa sivukahvan työkalun vasemmalle tai oikealle puolelle käyttötarkoituksen mukaan.

TYÖSKENTELY

HUOMIO: Työnnä akkupaketti pohjaan asti, niin että se napsahtaa paikoilleen. Jos painikkeen yläpuolella näkyy punainen ilmaisin, akku ei ole lukkiutunut täysin paikoilleen. Työnnä se pohjaan asti, niin että punaista ilmaisinta ei enää näy. Jos akku ei ole kunnolla paikallaan, se voi pudota työkalusta ja aiheuttaa vammoja joko sinulle tai sivullisille.

HUOMIO: Kun työkalun nopeus pienenee huomattavasti, vähennä työkalun kuormitusta tai pysäytä työkalu, jotta se ei vaurioidu.

Pida työkalusta lujasti kiinni siten, että pidät kahvasta yhdellä kädellä ja akun pohjasta toisella kädellä pyörimistoiminnan hallitsemiseksi.

► Kuva13

Ruuvaaminen

HUOMIO: Säädä kiristysmomentti sopivaksi säätörenkaan avulla.

HUOMIO: Varmista, että ruuvauskärjen pää on suorassa kulmassa ruuvin kantaan nähden; muuten ruuvi ja/tai ruuvauskärki voivat vahingoittua.

Aseta ruuvauskärjen pää ruuvin kantaan ja painaärkeä ruuvia vasten. Käynnistä työkalu varovasti ja lisää nopeutta asteittain. Vapauta liipaisinkytkin heti, kun kytkin alkaa ottaa.

HUOMAA: Kun kiinnität puuruuveja, tee ensin aloitusreikä, jonka halkaisija on 2/3 reiän halkaisijasta. Se helpottaa ruuvaamista ja vähentää työkappaleen halkeamisen vaaraa.

Poraustoiminta

Käännä ensin säätörengasta niin, että nuoli osoittaa  -merkkiä. Tee sitten näin.

Puun poraaminen

Puuta porattaessa paras lopputulos saadaan ohjausruuvilla varustetuilla puuterillä. Ohjausruuvi helpottaa poraamista vetämällä poranteraä työkappaleeseen.

Metallin poraaminen

Poranteraän syrjään luiskahtamisen ehkäisemiseksi porauksen alussa, tee ensin porauskohtaan pieni kolo punssilla ja vasaralla. Aseta poran kärki koloon ja aloita poraaminen.

Käytä leikkuvöljyä poratessasi metallia. Poikkeuksena ovat eräät raudat ja messingit, joita tulee porata kuivana.

HUOMIO: Työkalun painaminen liian voimakkaasti ei nopeuta poraamista. Päinvastoin liiallinen paine vain tulyttää poranteraä, hidastaa työtä ja lyhentää työkalun käyttöikää.

HUOMIO: Pidä työkalu tukevassa otteessa ja ole varovainen, kun terä alkaa porautua läpi työkappaleesta. Työkaluun/terään kohdistuu valtava voima, kun terä porautuu läpi.

HUOMIO: Juuttuneen terän voi irrottaa vaihtamalla terän pyörimissuuntaa ja peruuttaa. Pidä kuitenkin työkalusta lujasti kiinni, sillä se voi tökätä taaksepäin äkinäisesti.

HUOMIO: Kiinnitä työkappaleet aina viila-penkkiin tai vastaavaan pidikkeeseen.

HUOMIO: Jos työkalua käytetään jatkuvasti niin pitkään, että akku tyhjenee, anna työkalun seistä 15 minuuttia ennen kuin jatkat työskentelyä uudella akulla.

KUNNOSSAPITO

HUOMIO: Varmista aina ennen tarkastusta tai huoltoa, että työkalu on sammutettu ja akku irrotettu.

HUOMAUTUS: Älä koskaan käytä bensiiniä, ohenteita, alkoholia tai tms. aineita. Muutoin pinta voi halkeilla tai sen värit ja muoto voivat muuttua. Muutoin laitteeseen voi tulla värjäytyksiä, muodon vääristymiä tai halkeamia.

Tuotteen TURVALLISUUDEN ja LUOTETTAVUUDEN takaamiseksi korjaukset, muut huoltotyöt ja säädöt on teetettävä Makitan valtuutetussa huoltopisteessä Makitan varaosia käyttäen.

LISÄVARUSTEET

HUOMIO: Seuraavia lisävarusteita tai laitteita suositellaan käytettäväksi tässä ohjeessa kuvatus Makita-työkalun kanssa. Muiden lisävarusteiden tai laitteiden käyttö voi aiheuttaa henkilövahinkoja. Käytä lisävarusteita ja -laitteita vain niiden käyttötarkoituksen mukaisesti.

Jos tarvitset apua tai yksityiskohtaisempia tietoja seuraavista lisävarusteista, ota yhteys paikalliseen Makitan huoltoon.

- Poranteraät
- Ruuvauskärjet
- Ruuvauskärjen pidin
- Koukku
- Sivukahva
- Aito Makitan akku ja laturi

HUOMAA: Jotkin luettelossa mainitut varusteet eivät sisälly työkalun toimitukseen vakiovarusteina. Ne voivat vaihdella maittain.

SPECIFIKATIONER

Model:		DDF484
Borekapacitet	Stål	13 mm
	Træ	38 mm
Skrukapacitet	Træskruer	10 mm x 90 mm
	Maskinskrue	M6
Hastighed uden belastning	Høj (2)	0 - 2.000 min ⁻¹
	Lav (1)	0 - 500 min ⁻¹
Længde i alt	162 mm eller 172 mm (Landespecifik)	
Mærkespænding	D.C. 18 V	
Nettovægt	1,5 - 2,2 kg	

- På grund af vores kontinuerlige forsknings- og udviklingsprogrammer kan hosstående specifikationer blive ændret uden varsel.
- Specifikationer kan variere fra land til land.
- Vægten kan være anderledes afhængigt af tilbehør/tilbehørene, inklusive akkuen. Den letteste og tungeste kombination er vist i tabellen.

Anvendelig akku og oplader

Akku	BL1815N / BL1820B / BL1830B / BL1840B / BL1850B / BL1860B
Oplader	DC18RC / DC18RD / DC18RE / DC18SD / DC18SE / DC18SF / DC18SH / DC18WC

- Nogle af de akkuer og opladere, der er angivet ovenfor, er muligvis ikke tilgængelige, afhængigt af hvilket område du bor i.

⚠ ADVARSEL: Brug kun de akkuer og opladere, der er angivet ovenfor. Brug af andre akkuer og opladere kan medføre personskade og/eller brand.

Tilsigtet anvendelse

Denne maskine er beregnet til boring og iskruning af skruer i træ, metal og plastic.

Støj

Det typiske A-vægtede støjniveau bestemt i overensstemmelse med EN62841-2-1:
 Lydtryksniveau (L_{pA}): 79 dB (A)
 Usikkerhed (K): 3 dB (A)

Støjniveauet under arbejdet kan overskride 80 dB (A).

BEMÆRK: De(n) angivne støjemissionsværdi(er) er målt i overensstemmelse med en standardtestmetode og kan anvendes til at sammenligne en maskine med en anden.

BEMÆRK: De(n) angivne støjemissionsværdi(er) kan også anvendes i en præliminær eksponeringsvurdering.

⚠ ADVARSEL: Bær høreværn.

⚠ ADVARSEL: Støjemissionen under den faktiske anvendelse af maskinen kan være forskellig fra de(n) angivne værdi(er), afhængigt af den måde hvorpå maskinen anvendes, især den type arbejdsømtte der behandles.

⚠ ADVARSEL: Sørg for at identificere de sikkerhedsforskrifter til beskyttelse af operatøren, som er baseret på en vurdering af eksponering under de faktiske brugsforhold (med hensyntagen til alle dele i brugscyklussen, f.eks. de gange, hvor maskinen er slukket, og når den kører i tomgang i tilgift til afbrydertiden).

Vibration

Vibrationens totalværdi (tre-aksial vektorsum) bestemt i overensstemmelse med EN62841-2-1:

Arbejdstilstand: boring i metal
 Vibrationsemission ($a_{h,D}$): 2,5 m/s² eller mindre
 Usikkerhed (K): 1,5 m/s²

BEMÆRK: De(n) angivne totalværdi(er) for vibration er målt i overensstemmelse med en standardtestmetode og kan anvendes til at sammenligne en maskine med en anden.

BEMÆRK: De(n) angivne totalværdi(er) for vibration kan også anvendes i en præliminær eksponeringsvurdering.

⚠ ADVARSEL: Vibrationsemissionen under den faktiske anvendelse af maskinen kan være forskellig fra de(n) angivne værdi(er), afhængigt af den måde hvorpå maskinen anvendes, især den type arbejdsemne der behandles.

⚠ ADVARSEL: Sørg for at identificere de sikkerhedsforskrifter til beskyttelse af operatøren, som er baseret på en vurdering af eksponering under de faktiske brugsforhold (med hensyntagen til alle dele i brugscyklussen, f.eks. de gange, hvor maskinen er slukket, og når den kører i tomgang i tilgift til afbrydertiden).

Overensstemmelseserklæringer

Kun for lande i Europa

Overensstemmelseserklæringerne er inkluderet i Bilag A i denne brugsanvisning.

SIKKERHEDSADVARSLER

Almindelige sikkerhedsregler for el-værktøj

⚠ ADVARSEL Læs alle sikkerhedsadvarsler, instruktioner, illustrationer og specifikationer, der følger med denne maskine. Hvis du ikke følger alle nedenstående instruktioner, kan det medføre elektrisk stød, brand og/eller alvorlig personskade.

Gem alle advarsler og instruktioner til fremtidig reference.

Ordet "el-værktøj" i advarslerne henviser til det netforsyede (netledning) el-værktøj eller batteriforsyede (akku) el-værktøj.

Sikkerhedsadvarsler for akku skrue-/boremaskine

Sikkerhedsinstruktioner for alle betjening

1. **Hold smaskinen i de isolerede gribeblader, når der udføres et arbejde, hvor skæretilbehøret eller fastgøringsmidlerne kan komme i kontakt med skjulte ledninger.** Skæretilbehøret eller fastgøringsmidler, som kommer i kontakt med en strømførende ledning, kan bevirke, at udsatte metaldele på maskinen bliver strømførende, hvorved operatøren kan få elektrisk stød.
2. **Vær altid sikker på, at De har et godt fodfæste. Vær sikker på, at der ikke befinder sig nogen**

nedenunder, når maskinen anvendes i højden.

3. **Hold godt fast i maskinen.**
4. **Hold hænderne væk fra roterende dele.**
5. **Lad ikke maskinen køre i tomgang. Anvend kun maskinen håndholdt.**
6. **Rør ikke ved borebitten, arbejdsemnet eller spånerne umiddelbart efter arbejdet, da de kan være meget varme og give hudforbrændinger.**
7. **Nogle materialer indeholder kemikalier, som kan være giftige. Vær påpasselig med at forhindre inhalering af støv og hudkontakt. Følg materiale-leverandørens sikkerhedsdata.**
8. **Hvis borebitten ikke kan løsnes, selvom du åbner kæberne, skal du bruge en tang til at trække den ud. Hvis du i et sådant tilfælde trækker borebitten ud i hånden, kan det medføre personskade på grund af dens skarpe kant.**
9. **Sørg for, at der ikke er nogen elledninger, vandrør, gasrør osv., der kan udgøre en fare, hvis de beskadiges ved brug af maskinen.**

Sikkerhedsinstruktioner ved brug af lange borebits

1. **Må aldrig anvendes ved en højere hastighed end den maksimale hastighedsnormering for borebitten.** Ved højere hastigheder er det sandsynligt, at bitten bøjer, hvis den tillades at dreje frit uden kontakt med arbejdsemnet, hvilket resulterer i personskade.
2. **Start altid boring ved lav hastighed og med spidsen af bitten i kontakt med arbejdsemnet.** Ved højere hastigheder er det sandsynligt, at bitten bøjer, hvis den tillades at dreje frit uden kontakt med arbejdsemnet, hvilket resulterer i personskade.
3. **Tryk kun direkte i bittens retning og anvend ikke for meget tryk.** Bits kan bøje og forårsage brud eller tab af kontrollen, hvilket kan medføre personskade.

GEM DISSE FORSKRIFTER.

⚠ ADVARSEL: LAD IKKE bekvemmelighed eller kendskab til produktet (opnået gennem gentagen brug) forhindre, at sikkerhedsforskrifterne for produktet nøje overholdes. MISBRUG eller forsømmelse af at følge de i denne brugsvejledning givne sikkerhedsforskrifter kan medføre alvorlig personskade.

Vigtige sikkerhedsinstruktioner for akkuen

1. **Læs alle instruktioner og advarselmærkater på (1) akku-opladeren, (2) akkuen og (3) produktet, som anvender akku.**
2. **Adskil eller ændr ikke akkuen.** Det kan muligvis resultere i en brand, overdreven varme eller eksplosion.
3. **Hold straks op med anvendelsen, hvis brugstiden er blevet stærkt afkortet.** Fortsat anvendelse kan resultere i risiko for overophedning, forbrændinger og endog eksplosion.
4. **Hvis De har fået elektrolytvæske i øjnene, skal De straks skylle den ud med rent vand og derefter øjeblikkeligt søge lægehjælp. I modsat**

fald kan De miste synet.

5. **Vær påpasselig med ikke at komme til at kortslutte akkuen:**
 - (1) Rør ikke ved terminalerne med noget ledende materiale.
 - (2) Undgå at opbevare akkuen i en beholder sammen med andre genstande af metal, for eksempel søm, mønter og lignende.
 - (3) Udsæt ikke akkuen for vand eller regn.**Kortslutning af akkuen kan forårsage en kraftig øgning af strømmen, overophedning, mulige forbrændinger og endog værktøjstop.**
6. **Opbevar og brug ikke maskinen og akkuen på steder, hvor temperaturen muligvis kan nå eller overstige 50 °C.**
7. **Lad være med at brænde akkuen, selv ikke i tilfælde, hvor den har lidt alvorlig skade eller er fuldstændig udtjent. Akkuen kan eksplodere, hvis man forsøger at brænde den.**
8. **Slå ikke søm i, skær ikke i, knus, kast, tab ikke akkuen og stød ikke akkuen mod en hård genstand. Sådanne adfærd kan muligvis resultere i en brand, overdreven varme eller eksplosion.**
9. **Anvend ikke en beskadiget akku.**
10. **De indbyggede litium-ion-batterier er underlagt lovkrav vedrørende farligt gods.** Ved kommerciel transport, f.eks. af tredjeparts transportselskaber, skal særlige krav til forpakning og mærkning overholdes. Ved forberedelse af udstyret til forsendelse skal du kontakte en ekspert i farligt gods. Overhold også eventuel mere detaljeret national lovgivning. Tape eller tildæk åbne kontakter, og pak batteriet på en måde, så det ikke kan flytte sig rundt i pakningen.
11. **Når akkuen bortskaftes, skal du fjerne den fra maskinen og bortskaft den på et sikkert sted. Følg de lokale love vedrørende bortskaftelsen af batterier.**
12. **Brug kun batterierne med de produkter, som Makita specificerer.** Hvis batterierne installeres i ikke-kompatible produkter, kan det medføre brand, kraftig varme, eksplosion eller udsivning af elektrolyt.
13. **Hvis maskinen ikke skal bruges i længere tid ad gangen, skal du fjerne batteriet fra maskinen.**
14. **Akkuen kan muligvis under og efter brug være varm, hvilket kan forårsage forbrændinger eller lavtemperaturforbrændinger. Vær påpasselig med håndtering af varme akkuer.**
15. **Rør ikke terminalen på maskinen straks efter brug, da den bliver varm nok til at forårsage forbrændinger.**
16. **Sørg for, at spåner, støv eller jord ikke sætter sig fast i akkuens terminaler, huller og riller.** Det kan forårsage opvarmning, antændelse, sprængning og funktionsfejl i maskinen eller akkuen, hvilket kan medføre forbrændinger eller personskade.
17. **Mødindre maskinen understøtter brugen i nærheden af elektriske højspændingsledninger, skal du ikke anvende akkuen i nærheden af elektriske højspændingsledninger.** Det kan

muligvis medføre funktionsfejl på eller nedbrud af maskinen eller akkuen.

18. **Opbevar batteriet utilgængeligt for børn.**

GEM DENNE BRUGSANVISNING.

⚠FORSIGTIG: Brug kun originale batterier fra Makita. Brug af uoriginale Makita-batterier, eller batterier som er blevet ændret, kan muligvis medføre brud på batteriet, hvilket kan forårsage brand, personskade eller beskadigelse. Det ugyldiggør også Makita-garantien for Makita-maskinen og opladeren.

Tips til opnåelse af maksimal akku-levetid

1. **Oplad akkuen, inden den er helt afladet. Stop altid værktøjet, og oplad akkuen, hvis De bemærker, at værktøjeffekten er aftagende.**
2. **Genoplad aldrig en fuldt opladet akku. Overopladning vil afkorte akkuens levetid.**
3. **Oplad akkuen ved stuetemperatur ved 10 °C - 40 °C. Lad altid en varm akku få tid til at køle af, inden den oplades.**
4. **Når du ikke anvender akkuen, skal du fjerne den fra maskinen eller opladeren.**
5. **Oplad akkuen, hvis De ikke skal bruge den i længere tid (mere end seks måneder).**

FUNKTIONSBESKRIVELSE

⚠FORSIGTIG: Sørg altid for at maskinen er slukket, og at akkuen er taget ud, før der udføres justering eller kontrol af funktioner på maskinen.

Isætning eller fjernelse af akkuen

⚠FORSIGTIG: Sluk altid for værktøjet, før De monterer eller fjerner akkuen.

⚠FORSIGTIG: Hold værktøjet og akkuen fast ved montering eller fjernelse af akkuen. Hvis De ikke holder værktøjet og akkuen fast, kan de glide ud af hænderne på Dem og forårsage beskadigelse af værktøjet og akkuen eller personskade.

For at montere akkuen skal du justere tungen på akkuen med rillen i huset og skubbe den på plads. Indsæt den hele vejen, indtil den låses på plads med et lille klik. Hvis du kan se den røde indikator, som vist i figuren, er den ikke helt låst.

Akkuen fjernes ved, at De trækker den ud af værktøjet, idet De skyder knappen på forsiden af akkuen i stilling.

► **Fig. 1:** 1. Rød indikator 2. Knap 3. Akku

⚠FORSIGTIG: Monter altid akkuen helt, indtil den røde indikator ikke længere er synlig. Hvis dette ikke gøres, kan den falde ud af værktøjet ved et uheld, hvorved De selv eller personer i nærheden kan komme til skade.

⚠FORSIGTIG: Brug ikke magt ved montering af akkuen. Hvis akkuen ikke glider på plads uden problemer, betyder det, at den ikke sættes i på korrekt vis.

Indikation af den resterende batteriladning

Kun til akkuer med indikatoren

Tryk på kontrolknappen på akkuen for at få vist den resterende batteriladning. Indikatorlampen lyser i nogle sekunder.

► **Fig.2:** 1. Indikatorlamper 2. Kontrolknap

Indikatorlamper			Resterende ladning
Tændt	Slukket	Blinker	
■	□	◐	75% til 100%
■	■	■	
■	■	□	50% til 75%
■	□	□	25% til 50%
■	□	□	0% til 25%
◐	□	□	Genoplad batteriet.
■	■	□	Der er muligvis fejl i batteriet.
□	□	■	

BEMÆRK: Afhængigt af brugsforholdene og den omgivende temperatur kan indikationen afvige en smule fra den faktiske ladning.

BEMÆRK: Den første indikatorlampe (længst mod venstre) vil blinke, når batteribeskyttelsessystemet aktiveres.

Beskyttelsessystem til værktøj/batteri

Maskinen er forsynet med et beskyttelsessystem til maskine/batteri. Systemet afbryder automatisk strømmen for at forlænge maskinens og batteriets levetid. Maskinen stopper automatisk under brugen, hvis maskinen eller batteriet udsættes for et af følgende forhold:

Overbelastningsbeskyttelse

Denne beskyttelse aktiveres, når maskinen anvendes på en sådan måde, at den bruger unormalt meget strøm. Sluk i så fald for maskinen, og stop den anvendelse, der medførte, at maskinen blev overbelastet. Tænd derefter for maskinen for at starte igen.

Beskyttelse mod overophedning

Denne beskyttelse aktiveres, når maskinen eller batteriet er overophedet. Lad i så fald maskinen og batteriet køle af, før der tændes for maskinen igen.

Beskyttelse mod overafledning

Denne beskyttelse aktiveres, når den resterende batterikapacitet bliver lav. I denne situation skal du fjerne batteriet fra maskinen og lade batteriet op.

Afbryderbetjening

► **Fig.3:** 1. Afbryderknap

⚠FORSIGTIG: Inden akkuen sættes i maskinen, bør De altid kontrollere, at afbryderknappen fungerer korrekt, og returnerer til "OFF"-positionen, når den slippes.

For at starte maskinen trykkes der blot på afbryderknappen. Maskinens hastighed øges ved at øge trykket på afbryderknappen. Slip afbryderknappen for at stoppe.

BEMÆRK: Maskinen stopper automatisk, hvis De bliver ved med at trykke på afbryderknappen i cirka 6 minutter.

Tænding af lampen foran

► **Fig.4:** 1. Lampe

⚠FORSIGTIG: Kig aldrig direkte på lyskilden. Lad ikke lyset falde i Deres øjne.

Tryk afbryderknappen ind for at tænde for lampen. Lampen fortsætter med at lyse, så længe afbryderknappen trykkes ind. Lampen slukker omkring 10 sekunder efter at afbryderknappen er udløst.

BEMÆRK: Hvis maskinen er overophedet, stopper maskinen automatisk, og lampen begynder at blinke. Slip i så fald afbryderknappen. Lampen slukkes efter et minut.

BEMÆRK: Brug en tør klud til at tørre snavset af lampens linse. Pas på ikke at ridsе lampens linse, da dette muligvis kan dæmpe belysningen.

Omløbsvælgerbetjening

► **Fig.5:** 1. Omløbsvælger

⚠FORSIGTIG: Kontrollér altid omløbsretningen, inden arbejdet påbegyndes.

⚠FORSIGTIG: Flyt kun omløbsvælgeren, når maskinen er helt standset. Hvis omløbsretningen ændres, inden maskinen er helt stoppet, kan det beskadige maskinen.

⚠FORSIGTIG: Sæt altid omløbsvælgeren i neutral stilling, når maskinen ikke anvendes.

Denne maskinen har en omløbsvælger til at skifte omløbsretning. Skub omløbsvælgeren ind fra A-siden for omdrejning med uret, og fra B-siden for omdrejning mod uret.

Når omløbsvælgeren er i neutral stilling, kan afbryderknappen ikke trykkes ind.

Skift af hastighed

► Fig.6: 1. Hastighedsvælger

⚠FORSIGTIG: Sæt altid hastighedsvælgeren helt til den korrekte stilling. Hvis maskinen anvendes med hastighedsvælgeren sat halvvejs mellem "1"-siden og "2"-siden, kan maskinen lide skade.

⚠FORSIGTIG: Brug ikke hastighedsvælgeren, mens maskinen kører. Maskinen kan lide skade.



Vist tal	Hastighed	Moment	Anvendelig betjening
1	Lav	Høj	Betjening med høj belastning
2	Høj	Lav	Betjening med let belastning

Hvis du vil ændre hastigheden, skal du først slukke for maskinen. Tryk hastighedsvælgeren, så der vises "2", for høj hastighed eller "1" for lav hastighed, men højt moment. Kontroller før anvendelsen, at hastighedsvælgeren er i den korrekte stilling.

Hvis maskinens hastighed falder kraftigt under brugen, mens der vises "2", skal du skubbe vælgeren, så "1" vises, og genstarte anvendelsen.

Indstilling af drejningsmomentet

► Fig.7: 1. Justeringsring 2. Graduering 3. Pil

Drejningsmomentet kan justeres i 22 niveauer ved at dreje på justeringsringen. Ret gradueringerne ind med pilen på maskinen. Du kan opnå det mindste drejningsmoment på 1, og det maksimale moment på -mærket. Koblingen slipper på forskellige momentniveauer ved indstilling på nummer 1 til 21. Koblingen fungerer ikke på -mærket.

Inden arbejdet påbegyndes, skal man skrue en prøveskrue i materialet eller et stykke tilsvarende materiale for at bestemme, hvilket momentniveau der kræves til en bestemt anvendelse.

Det følgende viser en grov vejledning over forholdet mellem skruestørrelse og graduering.

Graduering		1	2	3	4	5	6	7	8	9	10	11	12	13	14	15	16	17	18	19	20	21
Maskinskrue		M4					M5					M6										
Træskrue	Blødt træ (f.eks. fyr)	-					ø3,5 x 22					ø4,1 x 38					-					
	Hårdt træ (f.eks. lauan)	-					ø3,5 x 22					ø4,1 x 38					-					

SAMLING

⚠FORSIGTIG: Sørg altid for at maskinen er slukket, og at akkuen er taget ud, før der udføres noget arbejde på maskinen.

Isætning eller fjernelse af skruebit/borebit

► Fig.8: 1. Muffe 2. Luk 3. Åbn

Drej muffen mod uret for at åbne borpatronkæberne. Sæt skruebitten/borebitten så langt ind i borpatronen som den kan komme. Drej muffen med uret for at spænde borpatronen. For at fjerne skruebitten/borebitten, drejes muffen mod uret.

Monteringskrog

⚠ADVARSEL: Brug kun hængende/montøringsdele til deres tilsigtede formål, f.eks. ved at hænge maskinen på et maskinbælte mellem opgaver eller arbejdsintervaller.

⚠ADVARSEL: Pas på ikke at overbelaste krogen, da for meget kraft eller uregelmæssig overbelastning kan forårsage skader på maskinen med personskaade til følge.

⚠FORSIGTIG: Når krogen monteres, skal den altid fastgøres forsvarligt med skruen. Hvis det ikke er tilfældet kan krogen falde af maskinen og forårsage personskaade.

⚠FORSIGTIG: Sørg for at hænge maskinen sikkert op, før du slipper grebet. Utilstrækkelig eller uafbalanceret hængning kan medføre, at den falder af, og du kan komme til skade.

► Fig.9: 1. Rille 2. Krog 3. Skrue

Krogen er bekvem til midlertidig ophængning af maskinen. Den kan monteres på begge sider af maskinen. Krogen monteres ved at man sætter den ind i rillen på maskinen på en af siderne og derefter fastgør den med en skrue. Krogen tages af ved at man løsner skruen og

derefter tager den af.

Brug af hul

⚠ ADVARSEL: Undlad at bruge det hængende hul til utilsigtede formål, f.eks. ved tøjring af maskinen på et højt sted. Bærende belastning i et tungt belastet hul kan forårsage skader på hullet, hvilket kan resultere i skader på dig eller mennesker omkring dig eller under dig.

► **Fig.10:** 1. Hængende hul

Brug det hængende hul nederst bag på maskinen til at hænge maskinen på en væg ved hjælp af en hængende snor eller lignende strenge.

Isætning af skruebitholder

Ekstraudstyr

► **Fig.11:** 1. Skruebitholder 2. Skruebit

Sæt skruebitholderen ind i fremspringet på maskinfoden på enten højre eller venstre side og fastgør den med en skrue.

Når skruebitten ikke anvendes, skal den opbevares i skruebitholderne. Der kan opbevares 45 mm lange skruebits.

Montering af sidehåndtag (ekstra håndtag)

Ekstraudstyr

► **Fig.12:** 1. Fremspring 2. Arm 3. Fordybning 4. Greb

Monter sidehåndtaget, så fremspringene på armen passer ind i fordybningerne på maskinen. Stram derefter håndtaget ved at dreje i retning med uret.

Afhængigt af betjeningerne kan du montere sidehåndtaget på enten højre eller venstre side af maskinen.

ANVENDELSE

⚠ FORSIGTIG: Sæt altid akkuen helt ind, indtil den låses på plads. Hvis du kan se den røde indikator på den øverste side af knappen, er den ikke helt låst. Sæt den helt ind, indtil den røde indikator ikke kan ses. I modsat fald kan den ved et uheld falde ud af maskinen og medføre personskeade på dig eller personer i nærheden.

⚠ FORSIGTIG: Når hastigheden falder ekstremt meget, skal belastningen reduceres, eller maskinen skal stoppes for at undgå beskadigelse af maskinen.

Hold godt fast i maskinen med den ene hånd på grebet og den anden hånd på undersiden af akkuen for at modvirke vridningen.

► **Fig.13**

Betjening som skruetrækker


⚠ FORSIGTIG: Indstil justeringsringen til det rigtige momentniveau for Deres arbejde.

⚠ FORSIGTIG: Sørg for, at skruebitten er sat lige ind i skruehovedet, da skruen og/eller skruebitten ellers kan lide skade.

Anbring skruebittens spids i skruehovedet og udøv tryk på maskinen. Start maskinen langsomt og øg derefter hastigheden gradvist. Slip afbryderknappen, så snart koblingen går i gang.

BEMÆRK: Når man skruer en træskrue i, skal man forbore et foringshul med 2/3 af skrueens diameter. Dette gør iskruningen nemmere og forhindrer, at arbejdsstykket splintrer.

Boring

Drej først justeringsringen, så pilen peger på  -mærket. Fortsæt derefter som følger.

Boring i træ

Når der bores i træ, opnås det bedste resultat med træbor, som er udstyret med en ledeskrue. Ledeskruen gør boring nemmere ved at trække borebitten ind i arbejdsstykket.

Boring i metal

For at forhindre borebitten i at glide, når man begynder på et hul, skal man lave et hak med en kørner og en hammer på det punkt, hvor der skal bores. Anbring spidsen af borebitten i hakket og begynd boringen. Brug skæresmørelse, når du borer i metal. Undtaget er nogle typer af jern og messing, som skal bores tørt.

⚠ FORSIGTIG: Et kraftigere tryk på maskinen vil ikke gøre boringen hurtigere. Faktisk vil et kraftigere tryk kun føre til skade på spidsen af borebitten, nedsætte maskinen ydelse og afkorte maskinens levetid.

⚠ FORSIGTIG: Hold godt fast i maskinen og udvis forsigtighed, når borebitten begynder at bryde igennem arbejdsstykket. Maskinen/borebitten udsættes for en kraftig påvirkning på det tidspunkt, hvor der brydes igennem hullet.

⚠ FORSIGTIG: En borebit, der har sat sig fast, kan fjernes ved at man ganske enkelt sætter omløbsvælgeren til baglæns rotation for at bakke ud. Imidlertid kan maskinen pludselig bakke ud, hvis man ikke holder godt fast i den.

⚠ FORSIGTIG: Fastgør altid arbejdsemner i en skruestik eller lignende udstyr til fastgørelse.

⚠ FORSIGTIG: Hvis maskinen anvendes uafbrudt, indtil akkuen er udtjent, skal maskinen have lov til at hvile i 15 minutter, inden der fortsættes med en ny akku.

VEDLIGEHOLDELSE

⚠FORSIGTIG: Vær altid sikker på, at værktøjet er slukket, og at akkuen er taget ud, inden De begynder at udføre inspektion eller vedligeholdelse.

BEMÆRKNING: Anvend aldrig benzin, rensebenzin, fortynder, alkohol og lignende. Det kan medføre misfarvning, deformation eller revner.

For at opretholde produktets SIKKERHED og PÅLIDELIGHED må reparation, vedligeholdelse eller justering kun udføres af et autoriseret Makita servicecenter eller fabrikksservicecenter med anvendelse af Makita reservedele.

EKSTRAUDSTYR

⚠FORSIGTIG: Det følgende tilbehør og ekstraudstyr er anbefalet til brug med Deres Makita maskine, der er beskrevet i denne brugsanvisning. Anvendelse af andet tilbehør eller ekstraudstyr kan udgøre en risiko for personskade. Anvend kun tilbehør og ekstraudstyr til det beskrevne formål.

Hvis De behøver hjælp ved valg af tilbehør eller ønsker yderligere informationer, bedes De kontakte Deres lokale Makita servicecenter.

- Borebits
- Skruebits
- Skruebitholder
- Krog
- Sidehåndtag
- Original Makita-akku og oplader

BEMÆRK: Nogle ting på denne liste kan være inkluderet i værktøjspakken som standardtilbehør. Det kan være forskellige fra land til land.

SPECIFIKĀCIJAS

Modelis:		DDF484
Urbšanas spēja	Tērauds	13 mm
	Koks	38 mm
Pievilšanas spēja	Koka skrūve	10 mm × 90 mm
	Nostiprinātājskrūve	M6
Ātrums bez slodzes	Liels (2)	0 - 2 000 min ⁻¹
	Mazs (1)	0 - 500 min ⁻¹
Kopējais garums		162 mm vai 172 mm (Atkarībā no valsts)
Nominālais spriegums		Līdzstrāva 18 V
Tīrsvars		1,5 - 2,2 kg

- Nepārtrauktās izpētes un izstrādes programmas dēļ šeit uzrādītās specifikācijas var tikt mainītas bez brīdinājuma.
- Atkarībā no valsts specifikācijas var atšķirties.
- Svārs var būt atšķirīgs atkarībā no papildierīces(-ēm), tostarp akumulatora kasetnes. Tabulā ir attēlota vieglākā un smagākā kombinācija.

Piemērotā akumulatora kasetne un lādētājs

Akumulatora kasetne	BL1815N / BL1820B / BL1830B / BL1840B / BL1850B / BL1860B
Lādētājs	DC18RC / DC18RD / DC18RE / DC18SD / DC18SE / DC18SF / DC18SH / DC18WC

- Daži no iepriekš norādītajiem lādētājiem un akumulatora kasetnēm var nebūt pieejami atkarībā no jūsu mītnes reģiona.

▲BRĪDINĀJUMS: Izmantojiet vienīgi iepriekš norādītās akumulatora kasetnes un lādētājus. Cita tipa akumulatora kasetņu un lādētāju izmantošana var radīt traumu un/vai aizdegšanās risku.

Paredzētā lietošana

Šis darbarīks ir paredzēts urbšanai un skrūvju ieskrūvēšanai kokā, metālā un plastmasā.

Trokšņa līmenis

Tipiskais A svērtais trokšņa līmenis noteikts saskaņā ar EN62841-2-1:

Skaņas spiediena līmeni (L_{pA}): 79 dB (A)

Mainīgums (K): 3 dB (A)

Darbības laikā trokšņa līmenis var pārsniegt 80 dB (A).

PIEZĪME: Paziņotā trokšņa emisijas vērtība noteikta atbilstoši standarta pārbaudes metodei, un to var izmantot, lai salīdzinātu vienu darbarīku ar citu.

PIEZĪME: Paziņoto trokšņa emisijas vērtību arī var izmantot iedarbības sākotnējā novērtējumā.

▲BRĪDINĀJUMS: Lietojiet ausu aizsargus.

▲BRĪDINĀJUMS: Trokšņa emisija patiesos darba apstākļos var atšķirties no paziņotās vērtības atkarībā no darbarīka izmantošanas veida un jo īpaši atkarībā no apstrādājamā materiāla veida.

▲BRĪDINĀJUMS: Lai aizsargātu lietotāju, nosakiet drošības pasākumus, kas pamatoti ar iedarbību reālos darba apstākļos (ņemot vērā visus ekspluatācijas cikla posmus, piemēram, laiku, kamēr darbarīks ir izslēgts un kad darbojas tukšgaitā, kā arī palaides laiku).

Vibrācija

Vibrācijas kopējā vērtība (trīsasu vektora summa)

noteikta atbilstoši EN62841-2-1:

Darba režīms: urbšana metālā

Vibrācijas izmete ($a_{h,D}$): 2,5 m/s² vai mazāk

Mainīgums (K): 1,5 m/s²

PIEZĪME: Paziņotā kopējā vibrācijas vērtība noteikta atbilstoši standarta pārbaudes metodei, un to var izmantot, lai salīdzinātu vienu darbarīku ar citu.

PIEZĪME: Paziņoto kopējo vibrācijas vērtību arī var izmantot iedarbības sākotnējā novērtējumā.

▲BRĪDINĀJUMS: Vibrācijas emisija patiesos darba apstākļos var atšķirties no paziņotās vērtības atkarībā no darbarīka izmantošanas veida un jo īpaši atkarībā no apstrādājamā materiāla veida.

▲BRĪDINĀJUMS: Lai aizsargātu lietotāju, nosakiet drošības pasākumus, kas pamatoti ar iedarbību reālos darba apstākļos (ņemot vērā visus ekspluatācijas cikla posmus, piemēram, laiku, kamēr darbarīks ir izslēgts un kad darbojas tukšgaitā, kā arī palaides laiku).

Atbilstības deklarācijas

Tikai Eiropas valstīm

Atbilstības deklarācijas šajā lietošanas rokasgrāmatā ir iekļautas kā A pielikums.

DROŠĪBAS BRĪDINĀJUMI

Vispārīgi elektrisko darbarīku drošības brīdinājumi

▲BRĪDINĀJUMS Izlasiet visus drošības brīdinājumus, norādījumus un tehniskos datus un izpētiet ilustrācijas, kas iekļautas šā elektriskā darbarīka komplektā. Neievērojot visus tālāk minētos noteikumus, iespējams elektriskās strāvas triecienu, aizdegšanās un/vai smagu traumu risks.

Glabājiet visus brīdinājumus un norādījumus, lai varētu tajos ieskatīties turpmāk.

Termins „elektrisks darbarīks” brīdinājumos attiecas uz tādu elektrisko darbarīku, ko darbina ar elektrību (ar vadu), vai tādu, ko darbina ar akumulatoru (bez vada).

Drošības brīdinājumi bezvada skrūvgrieža-urbjmašīnas lietošanai

Drošības norādījumi visām darbībām

1. Strādājot vietās, kur griezējinstrumenti vai stiprinājumi varētu saskarties ar slēptu elektroinstalāciju, satveriet darbarīka izolētās satveršanas virsmas. Ja griešanas instruments vai stiprinājums saskarsies ar vadu, kurā ir strāva, visas mehānizētā darbarīka ārējās metāla virsmas var sākt vadīt strāvu un radīt elektriskās strāvas triecienu risku.
2. Vienmēr nodrošiniet stabilu pamatu kājām. Ja lietojat darbarīku, strādājot lielā augstumā virs zemes, pārliecinieties, ka apakšā neviena nav.
3. Darbarīku turiet cieši.
4. Turiet rokas tālu no rotējošajām daļām.
5. Neatstājiet darbarīku ieslēgtu. Darbiniet darbarīku vienīgi tad, ja turat to rokās.
6. Nepieskarieties urbja uzgalim, apstrādājamajam materiālam vai skaidām tūlīt pēc darba veikšanas; tie var būt ļoti karsti un apdedzināt ādu.

7. Daži materiāli satur ķīmiskas vielas, kuras var būt toksiskas. Izvairieties no putekļu ieelpošanas un to nokļūšanas uz ādas. Ievērojiet materiāla piegādātāja drošības datus.
8. Ja urbja uzgali nav iespējams atbrīvot arī tad, ja tiek atvērtas spīles, izvelciet to ārā ar knaiblēm. Ja šādā situācijā vilksiet ārā urbja uzgali ar roku, varat savainoties ar tā asajām malām.
9. Raugieties, lai tuvumā nav elektrības vadu, ūdens cauruļu, gāzes cauruļu u. c., kas varētu radīt bīstamu situāciju, ja tos darba laikā sabojā ar šo darbarīku.

Drošības norādes darbam ar garajiem urbja uzgaļiem

1. Nekad neizmantojiet urbja uzgali ar ātrumu, kas pārsniedz norādīto maksimālo darba ātrumu. Ja palielinātā darba ātrumā uzgalis tiek pakļauts rotācijai, kad tas nav saskāries ar apstrādājamo materiālu, tas var saliekties un radīt traumas.
2. Sākot darbu, vienmēr izmantojiet lēnu darba ātrumu un raugieties, lai urbja uzgalis būtu saskāries ar apstrādājamo materiālu. Ja palielinātā darba ātrumā uzgalis tiek pakļauts rotācijai, kad tas nav saskāries ar apstrādājamo materiālu, tas var saliekties un radīt traumas.
3. Spiediet uzgali tikai taisnā virzienā attiecībā pret virsmu, kā arī nespiediet pārāk spēcīgi. Uzgaļi var saliekties un pārlūzt, izraisot kontroles zudumu un radot traumas.

SAGLABĀJIET ŠOS NORĀDĪJUMUS.

▲BRĪDINĀJUMS: NEPIELĀUJIET to, ka labu iemaņu vai izstrādājuma labas pārzināšanas (darbarīku atkārtoti ekspluatējot) rezultātā vairs stingri neievērojāt šī izstrādājuma drošības noteikumus. NEPAREIZI LIETOJOT darbarīku vai neievērojot šajā instrukciju rokasgrāmatā minētos drošības noteikumus, var tikt gūtas smagas traumas.

Svarīgi drošības norādījumi par akumulatora kasetni

1. Pirms akumulatora lietošanas izlasiet visus norādījumus un brīdinājumus, kuri attiecas uz (1) akumulatora lādētāju, (2) akumulatoru un (3) ierīci, kurā tiek izmantots akumulators.
2. Akumulatora kasetni nedrīkst ne pārveidot, ne izjaukt. Citādi var tikt izraisīta aizdegšanās, pārmerģis karstums vai sprādziens.
3. Ja akumulatora darbības laiks kļūva ievērojami īsāks, nekavējoties pārtrauciet to izmantot. Citādi, tas var izraisīt pārkarsējumu, uzliesmojumu vai pat sprādzienu.
4. Ja elektrolīts nonāk acīs, izskalojiet tās ar tīru ūdens un nekavējoties griezieties pie ārsta. Tas var izraisīt redzes zaudēšanu.
5. Neradiet īssavienojumu akumulatora kasetnē:
(1) Nepieskarieties spailēm ar elektrību vadošiem materiāliem.

(2) Neuzglabājiet akumulatoru kasetni kopā ar citiem metāla priekšmetiem, tādiem kā naglas, monētas u. c.

(3) Nepakļaujiet akumulatora kasetni ūdens vai lietus iedarbībai.

Akumulatora īssavienojums var radīt spēcīgu strāvas plūsmu, pārkaršanu, uzliesmojumu un pat sabojāt akumulatoru.

6. Neglabājiet un neizmantojiet darbarīku un akumulatora kasetni vietās, kur temperatūra var sasniegt vai pārsniegt 50 °C (122 °F).
7. Nededziniet akumulatora kasetni, pat ja tā ir stipri bojāta vai pilnībā nolietota. Akumulatora kasetne ugunī var eksplodēt.
8. Akumulatora kasetni nedrīkst naglot, griezt, saspīest, mest vai nomet, kā arī pa to nedrīkst sist ar cietu priekšmetu. Šādas darbības var izraisīt aizdegšanos, pārmērīgu karstumu vai sprādzienu.
9. Neizmantojiet bojātu akumulatoru.
10. Uz izmantotajiem litija jonu akumulatoriem attiecas likumdošanas prasības par bīstamiem izstrādājumiem.
Komerציālā transportēšanā, ko veic, piemēram, trešās puses, transporta uzņēmumi, jāievēro uz iesaiņojuma un marķējuma norādītās īpašās prasības.
Lai izstrādājumu sagatavotu nosūtīšanai, jāsažinās ar bīstamo materiālu speciālistu. Ievērojiet arī citus attiecināmos valsts normatīvus.
Vajļējus kontaktus nosedziet ar līmlenti vai citādi pārklājiet, bet akumulatoru iesaiņojiet tā, lai sānī tas nevarētu izkustēties.
11. Lai utilizētu akumulatora kasetni, izņemiet to no darbarīka un likvidējiet drošā vietā. Ievērojiet vietējos noteikumus par akumulatora likvidēšanu.
12. Izmantojiet šos akumulatorus tikai ar izstrādājumiem, kurus norādījis Makita. Ievietojot šos akumulatorus nesaderīgos izstrādājumos, var rasties ugunsgrēks, pārmērīgs karstums, tie var uzsprāgt vai no tiem var iztecēt elektrolīts.
13. Ja darbarīks netīks lietots ilgu laiku, no tā jāizņem akumulators.
14. Lietošanas laikā vai pēc tās akumulatora kasetne var uzkrāt siltumu, kas var izraisīt apdegumus vai zemas temperatūras apdegumus. Ar karstu akumulatora kasetni apejieties rūpīgi.
15. Nepieskarieties darbarīka izvadam uzreiz pēc lietošanas, jo tas var būt sakarsis un izraisīt apdegumus.
16. Neļaujiet akumulatora kasetnes spailēs, atverēs un rievās uzkrāties skaidām, putekļiem vai netīrumiem. Tas var izraisīt sasilšanu, aizdegšanos, sprādzienu instrumenta vai akumulatora kasetnes nepareizu darbību, un lietotājs var gūt apdegumus vai ievainojumus.
17. Neizmantojiet akumulatora kasetni augstsprieguma līniju tuvumā, izņemot gadījumus, kad darbarīks ir piemērots lietošanai augstsprieguma līniju tuvumā. Citādi darbarīks vai akumulatora kasetne var sākt darboties nepareizi vai tikt sabojāti.
18. Glabājiet akumulatoru bērnēm nepieejamā

vietā.

SAGLABĀJIET ŠOS NORĀDĪJUMUS.

▲UZMANĪBU: Lietojiet tikai oriģinālos Makita akumulatorus. Ja lietojat neoriģinālus Makita akumulatorus vai pārveidotus akumulatorus, tie var uzsprāgt un izraisīt aizdegšanos, traumas un materiālos zaudējumus. Tīks anulēta arī Makita darbarīka un lādētāja garantija.

Ieteikumi akumulatora kalpošanas laika pagarināšanai

1. Uzlādējiet akumulatora kasetni, pirms tā ir pilnībā izlādējusies. Vienmēr, kad ievērojat, ka darbarīka darba jauda zudusi, apturiet darbarīku un uzlādējiet akumulatora kasetni.
2. Nekad neuzlādējiet pilnībā uzlādētu akumulatora kasetni. Pārmērīga uzlāde saīsina akumulatora kalpošanas laiku.
3. Uzlādējiet akumulatora kasetni istabas temperatūrā 10 °C - 40 °C. Karstai akumulatora kasetnei pirms uzlādes ļaujiet atdzist.
4. Kad akumulatora kasetne netiek izmantota, izņemiet to no darbarīka vai lādētāja.
5. Uzlādējiet litija jonu akumulatora kasetni, ja to ilgstoši nelietosit (vairāk nekā sešus mēnešus).

FUNKCIJU APRAKSTS

▲UZMANĪBU: Pirms darbarīka regulēšanas vai tā darbības pārbaudes vienmēr pārlicinieties, ka darbarīks ir izslēgts un akumulatora kasetne ir izņemta.

Akumulatora kasetnes uzstādīšana un izņemšana

▲UZMANĪBU: Vienmēr pirms akumulatora kasetnes uzstādīšanas vai noņemšanas izslēdziet darbarīku.

▲UZMANĪBU: Uzstādot vai izņemot akumulatora kasetni, darbarīku un akumulatora kasetni turiet cieši. Ja darbarīku un akumulatora kasetni netur cieši, tie var izkrist no rokām un radīt bojājumus darbarīkam un akumulatora kasetnei, kā arī izraisīt ievainojumus.

Lai uzstādītu akumulatora kasetni, salāgojiet akumulatora kasetnes mēlīti ar rievu ietvarā un iebīdīet to vietā. Ievietojiet to līdz galam, līdz tā ar klikšķi nofiksējas. Ja redzams attēlā parādītais sarkanais krāsas indikators, tas nozīmē, ka tas nav pilnīgi nofiksēts.

Lai izņemtu akumulatora kasetni, izvelciet to no darbarīka, pārīdodot kasetnes priekšpusē esošo pogu.

- **Att. 1:** 1. Sarkanais krāsas indikators 2. Poga 3. Akumulatora kasetne

⚠UZMANĪBU: Vienmēr ievietojiet akumulatora kasetni tā, lai sarkanais indikators nebūtu redzams. Pretējā gadījumā tā var nejauši izkrist no darbarīka un izraisīt jums vai apkārtējiem traumas.

















⚠UZMANĪBU: Neievietojiet akumulatora kasetni ar spēku. Ja kasetne neslīd ietvarā viegli, tā nav pareizi ielikta.

Atlikušās akumulatora jaudas indikators

Tikai akumulatora kasetnēm ar indikatoru

Nospiediet akumulatora kasetnes pārbaudes pogu, lai pārbaudītu akumulatora atlikušo uzlādes līmeni. Indikatori iedegsies uz dažām sekundēm.

► **Att.2:** 1. Indikatora lampas 2. Pārbaudes poga

Indikatora lampas			Atlikusī jauda
			
			No 75% līdz 100%
			No 50% līdz 75%
			No 25% līdz 50%
			No 0% līdz 25%
			Uzlādējiet akumulatoru.
			Iespējama akumulatora kļūme.
			

PIEZĪME: Reālā jauda var nedaudz atšķirties no norādītās atkarībā no lietošanas apstākļiem un apkārtējās temperatūras.

PIEZĪME: Akumulatora aizsardzības sistēmas darbības laikā mirgo pirmais (kreisais malējais) indikators.

Darbarīka/akumulatora aizsardzības sistēma

Darbarīkam ir darbarīka/akumulatora aizsardzības sistēma. Šī sistēma automātiski izslēdz barošanu, lai pagarinātu darbarīka un akumulatora darbību. Lietošanas laikā darbarīks automātiski pārstās darboties, ja darbarīku vai akumulatoru pakļaus kādam no tālāk minētajiem apstākļiem.

Aizsardzība pret pārslodzi

Šī aizsardzība tiek aktivizēta, kad darbarīku ekspluatācijas laikā lieto tādā veidā, ka tam vajadzīgs pārmērīgi liels strāvas daudzums. Šādā gadījumā izslēdziet darbarīku un pārtrauciet darbību, kas izraisa pārslodzi. Pēc tam ieslēdziet darbarīku, lai atsāktu darbu.

Aizsardzība pret pārkaršanu

Šī aizsardzība tiek aktivizēta, kad darbarīks vai akumulators ir pārkaris. Šādā gadījumā pirms atkārtotas darbarīka ieslēgšanas ļaujiet darbarīkam un akumulatoram atdzist.

Aizsardzība pret akumulatora pārmērīgu izlādi

Šī aizsardzība tiek aktivizēta, kad atlikusī akumulatora jauda ir zema. Šādā gadījumā izņemiet akumulatoru no darbarīka un uzlādējiet to.

Slēdža darbība

► **Att.3:** 1. Slēdža mēlīte

⚠UZMANĪBU: Pirms akumulatora kasetnes uzstādīšanas darbarīkā vienmēr pārbaudiet, vai slēdža mēlīte darbojas pareizi un pēc atlaišanas atgriežas stāvoklī „OFF” (Izslēgts).

Lai ieslēgtu darbarīku, pavelciet slēdža mēlīti. Darbarīka ātrums palielinās, palielinoties spiedienam uz slēdža mēlīti. Lai darbarīku apturētu, atļaidiet slēdža mēlīti.

PIEZĪME: Darbarīks automātiski apstāsies, ja turpināsit spiest slēdža mēlīti apmēram 6 minūtes.

Priekšējās lampas ieslēgšana

► **Att.4:** 1. Lampa

⚠UZMANĪBU: Neskatieties gaismā, neļaujiet tās avotam iespīdēt acīs.

Pavelciet slēdža mēlīti, lai ieslēgtu lampu. Kamēr slēdža mēlīte ir nospiesta, lampa ir ieslēgta. Apmēram 10 sekundes pēc slēdža mēlītes atlaišanas lampa izslēdzas.

PIEZĪME: Ja darbarīks ir pārkaris, tas automātiski izslēdzas un sāk mirgot lampa. Šādā gadījumā atļaidiet slēdža mēlīti. Lampa izslēdzas pēc vienas minūtes.

PIEZĪME: Ar sausu lupatiņu notīriet netīrumus no lampas lēcas. Izvairieties saskrāpēt lampas lēcu, jo tālējādi tiek samazināts apgaismojums.

Griešanās virziena pārslēdzēja darbība

► **Att.5:** 1. Griešanās virziena pārslēdzēja svira

⚠UZMANĪBU: Pirms sākat strādāt, vienmēr pārbaudiet griešanās virzienu.

⚠UZMANĪBU: Izmantojiet griešanās virziena pārslēdzēju tikai pēc darbarīka pilnīgas apstāšanās. Griešanās virziena maiņa pirms darbarīka pilnīgas apstāšanās var to sabojāt.

⚠UZMANĪBU: Kamēr darbarīks netiek izmantots, vienmēr uzstādiet griešanās virziena pārslēdzēja sviru neitrālajā stāvoklī.

Šis darbarīks ir aprīkots ar pārslēdzēju, kas ļauj mainīt

griešanās virzienu. Nospiediet griešanās virziena pārslēdzēja sviru no „A” puses rotācijai pulksteņrādītāju kustības virzienā vai no „B” puses rotācijai pretēji pulksteņrādītāju kustības virzienam.

Ja griešanās virziena pārslēdzēja svira atrodas neitrālajā stāvoklī, slēdža mēlīti nevar nospiegt.

Ātruma regulēšana

► **Att.6:** 1. Ātruma regulēšanas svira

⚠UZMANĪBU: Ātruma regulēšanas sviru vienmēr stingri iestatiet pareizajā stāvoklī. Ja jūs darbināt darbarīku ar ātruma regulēšanas sviru, izvietotu starp stāvokļiem „1” un „2”, tas var sabojāt darbarīku.

⚠UZMANĪBU: Nelietojiet ātruma regulēšanas sviru, kamēr darbarīks darbojas. Tas var sabojāt darbarīku.

Parādītais skaitlis	Ātrums	Griezes moments	Lietojuma iespējas
1	Mazs	Liels	Lielas noslodzes režīms
2	Liels	Mazs	Nelielas noslodzes režīms

Lai mainītu ātrumu, vispirms izslēdziet darbarīku.

Nospiediet ātruma regulēšanas sviru, lai parādītos cipars „2” lielam ātrumam vai cipars „1” mazam ātrumam ar lielu griezes momentu. Pirms darba sākšanas pārliecinieties, ka ātruma regulēšanas svira atrodas pareizajā stāvoklī.

Ja lietošanas laikā stāvoklī „2” darbarīka ātrums ievērojami samazinās, pārbīdīet sviru stāvoklī „1” un atsāciet lietošanu.

Stiprinājuma griezes momenta regulēšana

► **Att.7:** 1. Regulēšanas gredzens 2. Iedaļas 3. Bultiņa

Stiprinājuma griezes momentam var iestatīt kādu no 22 līmeņiem, pagriežot regulēšanas gredzenu. Savietojiet iedaļas ar bultiņu uz darbarīka korpusa. Minimālais stiprinājuma griezes moments ir stāvoklī 1, un maksimālais stiprinājuma griezes moments ir stāvoklī 21.

Iestatot ietveri stāvoklī no 1 līdz 21, tā ieslīdēs dažādos griezes momenta līmeņos. Ietvere nedarbojas pie atzīmēm 1 un 21.

Pirms darba sākšanas ieskrūvējiet apstrādājamajā detaļā vai identiskā materiālā pārbaudes skrūvi, lai noteiktu, kāds griezes momenta līmenis ir piemērots attiecīgajam gadījumam.

Tabulā sniegti norādījumi aptuvenai attiecībai starp skrūves izmēriem un iedaļām.

Iedaļas		1	2	3	4	5	6	7	8	9	10	11	12	13	14	15	16	17	18	19	20	21
Nostiprinātājskrūve		M4					M5					M6										
Koka skrūve	Mīksts koks (piemēram, priele)	–					φ3,5 × 22					φ4,1 × 38										
	Ciets koks (piemēram, lauans)	–					φ3,5 × 22					φ4,1 × 38										

MONTĀŽA

⚠UZMANĪBU: Pirms darbarīka regulēšanas vai apkopes vienmēr pārliecinieties, ka darbarīks ir izslēgts un akumulatora kasetne ir izņemta.

Skrūvgrieža uzgaļa/urbja uzgaļa uzstādīšana vai noņemšana

► **Att.8:** 1. Uzmava 2. Aizvērt 3. Atvērt

Pagrieziet uznavu pretēji pulksteņrādītāju kustības virzienam, lai atvērtu spīļpatronas spīles. Ievietojiet skrūvgrieža uzgaļi/urbja uzgaļi spīļpatronā līdz galam. Pagrieziet uznavu pulksteņrādītāju kustības virzienā, lai pievilktu spīļpatronu. Lai izņemtu skrūvgrieža uzgaļi/urbja uzgaļi, pagrieziet uznavu pretēji pulksteņrādītāju kustības virzienam.

Āķa uzstādīšana

⚠BRĪDINĀJUMS: Pakarināmās/stiprinājuma daļas izmantojiet tikai to paredzētajiem mērķiem, proti, darbarīka pakarināšanai aiz instrumenta siksnas darbu starplaikā vai darbu intervālos.

⚠BRĪDINĀJUMS: Nepārslogojiet āķi, jo pārāk liels spēks vai neregulāra pārslodze var izraisīt darbarīka bojājumus un personāla traumas.

⚠UZMANĪBU: Uzstādot āķi, vienmēr cieši piestipriniet to ar skrūvi. Citādi āķis var atdalīties no darbarīka, izraisot traumu.

⚠UZMANĪBU: Pirms atlaižat darbarīku, pārliecinieties, ka tas ir droši pakarināts. Pakarinot instrumentu nepareizi vai nelīdzsvaroti, tas var nokrist un jūs savainot.

► **Att.9:** 1. Rieva 2. Āķis 3. Skrūve

Āķis ir noderīgs, ja darbarīks uz kādu laiku ir jāpakar.

To var uzstādīt jebkurā darbarīka pusē. Lai uzstādītu āķi, ievietojiet to rievā jebkurā darbarīka korpusa pusē, un tad ar skrūvi pieskrūvējiet. Lai to izņemtu, atļaidiet skrūvi un izņemiet.

Cauruma izmantošana

▲BRĪDINĀJUMS: Neizmantojiet pakarināšanas caurumu neparedzētiem mērķiem, piemēram, lai nostiprinātu darbarīku augstumā. Ja pakarināšanas caurums tiek pakļauts lielai slodzei un spiedienam, tas var tikt bojāts, radot traumas jums vai cilvēkiem ap vai zem jums.

► **Att.10:** 1. Pakarināšanas caurums

Izmantojiet darbarīka aizmugurē apakšā esošo pakarināšanas caurumu, lai pakarinātu darbarīku pie sienas, izmantojot karināšanas stiepli vai līdzīgu auklu.

Skrūvgrieža uzgaļa turētāja uzstādīšana

Papildu piederumi

► **Att.11:** 1. Skrūvgrieža uzgaļa turētājs
2. Skrūvgrieža uzgalis

Uzlieciet skrūvgrieža uzgaļa turētāju uz darbarīka pamatnes izciļņa labajā vai kreisajā pusē un pieskrūvējiet to ar skrūvi.

Ja neizmantojat skrūvgrieža uzgali, ievietojiet to uzgaļa turētājā. Tur var glabāt 45 mm garus skrūvgrieža uzgāļus.

Sānu roktura uzstādīšana (papildus rokturis)

Papildu piederumi

► **Att.12:** 1. Izcilnis 2. Balstenis 3. Padziļinājums
4. Rokturis

Ievietojiet sānu rokturi tā, lai balsteņa izvirkājumi iegultu darbarīka padziļinājumos. Tad pievelciet rokturi, to pagriežot pulksteņrādītāju kustības virzienā. Atkarībā no veicamās darbības sānu rokturi var uzstādīt darbarīka labajā vai kreisajā pusē.

EKSPLUATĀCIJA

▲UZMANĪBU: Vienmēr ievietojiet akumulatora kasetni līdz galam, līdz tā nofiksējas. Ja pogas augšējā daļā redzams sarkanas krāsas indikators, tas nozīmē, ka tā nav pilnīgi fiksēta. Iebīdīet to tā, lai sarkanais indikators nebūtu redzams. Pretējā gadījumā akumulators var nejauši izkrist no darbarīka un radīt jums vai apkārtējiem traumas.

▲UZMANĪBU: Ja ātrums ievērojami pazeminās, samaziniet slodzi vai apturiet darbarīku, lai nepieļautu darbarīka bojājumus.

Lai regulētu grozīšanas darbību, turiet darbarīku cieši, ar vienu roku satverot rokturi, bet ar otru turot akumulatora kasetnes apakšpusi.

► **Att.13**

Skrūvgrieža darba režīms


▲UZMANĪBU: Ar regulēšanas gredzena palīdzību uzstādiet veicamam darbam atbilstošu griezes momenta līmeni.

▲UZMANĪBU: Pārliedzinieties, ka skrūvgrieža uzgalis ir taisni ievietots skrūves galviņā, pretējā gadījumā skrūve un/vai skrūvgrieža uzgalis var tikt bojāts.

Novietojiet skrūvgrieža uzgaļa galu skrūves galviņā un uzspiediet uz darbarīka. Ieslēdziet darbarīku nelielā ātrumā un tad pakāpeniski ātrumu palieliniet. Atļaidiet slēdža mēlīti tikko ietvert iegriežas iekšā.

PIEZĪME: Skrūvējot koka skrūvi, sākumā izurbiet palīgcaurumu, kura izmērs ir 2/3 no skrūves diametra. Tādējādi skrūvēšana būs vieglāka un apstrādājamā detaļa nesadalīsies.

Urbšana

Vispirms pielāgojiet regulēšanas gredzenu tā, lai bultija rādītu uz atzīmi . Tad rīkojieties, kā norādīts tālāk.

Urbšana kokā

Urbjot kokā, vislabākie rezultāti iegūstami ar kokurbja uzgāļiem, kuri aprīkoti ar vadskrūvi. Vadskrūve atvieglo urbšanu, virzot urbja uzgali apstrādes detaļā.

Urbšana metālā

Lai novērstu urbja uzgaļa slīdēšanu, sākot urbšanu, vispirms ar punksitīti un āmuru izveidojiet iedobi vietā, kur jāurbj. Novietojiet urbja uzgali iedobē un sāciet urbt. Urbjot metālā, izmantojiet griešanas smērvielu. Izņēmums ir daži dzelzs un misiņa materiāli, kuri jāurbj sausi.

▲UZMANĪBU: Pārmērīgs spiediens uz darbarīku urbšanas ātrumu nepalielina. Patiesībā pārmērīgs spiediens tikai sabojās urbja uzgali, samazinās darbarīka jaudu un saīsinās tā kalpošanas laiku.

▲UZMANĪBU: Stingri turiet darbarīku un īpaši uzmanieties brīdī, kad urbja uzgalis sāk virzīties cauri apstrādājamaļai daļai. Cauruma izveides brīdī uz darbarīku un uzgali iedarbojas ļoti liels spēks.

▲UZMANĪBU: Iestrēgušu urbja uzgali var atbrīvot, vienkārši uzstādot griešanās virziena pārslēdzēju pretējā virzienā, lai urbis tiktu virzīts atpakaļ virzienā uz āru. Taču uzmanieties, jo, ja ierīci neturēsiet stingri, tā var strauji virzīties atpakaļ.

▲UZMANĪBU: Nelielas apstrādājamas detaļas vienmēr ievietojiet skrūvspilēs vai citā stiprinājuma ierīcē.

▲UZMANĪBU: Ja darbarīks tiek darbināts nepārtraukti, līdz akumulatora kasetne ir izlādējusies, pirms turpināt darbu ar jaunu akumulatoru, izslēdziet darbarīku uz 15 minūtēm.

APKOPE

⚠ UZMANĪBU: Pirms darbarīka pārbaudes vai apkopes vienmēr pārlicinieties, ka darbarīks ir izslēgts un akumulatora kasetne ir izņemta.

IEVĒRĪBAI: Nekad neizmantojiet gazolinu, benzīnu, atšķaidītāju, spirtu vai līdzīgus šķidrumus. Tas var radīt izbalēšanu, deformāciju vai plaisas.

Lai saglabātu izstrādājuma DROŠU un UZTICAMU darbību, remontdarbus, apkopi un regulēšanu uzticiet veikt tikai Makita pilnvarotam vai rūpnīcas apkopes centram, un vienmēr izmantojiet tikai Makita rezerves daļas.

PAPILDU PIEDERUMI

⚠ UZMANĪBU: Šādi piederumi un papildierīces tiek ieteiktas lietošanai ar šajā rokasgrāmatā aprakstīto Makita darbarīku. Izmantojot citus piederumus vai papildierīces, var tikt radīta trauma gūšanas bīstamība. Piederumu vai papildierīci izmantojiet tikai paredzētajam mērķim.

Ja jums vajadzīga palīdzība vai precīzāka informācija par šiem piederumiem, vērsieties savā tuvākajā Makita apkopes centrā.

- Urbja uzgaļi
- Skrūvgrieža uzgaļi
- Skrūvgrieža uzgaļa turētājs
- Āķis
- Sānu rokturis
- Makita oriģinālais akumulators un lādētājs

PIEZĪME: Daži sarakstā norādītie izstrādājumi var būt iekļauti instrumenta komplektācijā kā standarta piederumi. Tie dažādās valstīs var būt atšķirīgi.

SPECIFIKACIJOS

Modelis:		DDF484
Gręžimo pajėgumas	Plienas	13 mm
	Medis	38 mm
Fiksavimo pajėgumas	Medvaržtis	10 mm x 90 mm
	Mašininis sraigtas	M6
Be apkrovos	Aukštas (2)	0 – 2 000 min ⁻¹
	Žemas (1)	0 – 500 min ⁻¹
Bendrasis ilgis		162 mm arba 172 mm (Priklauso nuo šalies)
Vardinė įtampa		Nuol. sr. 18 V
Grynas svoris		1,5 – 2,2 kg

- Atliekame tęstinius tyrimus ir nuolat tobuliname savo gaminius, todėl čia pateikiamos specifikacijos gali būti keičiamos be įspėjimo.
- Skirtingose šalyse specifikacijos gali skirtis.
- Svoris priklauso nuo priedo (-ų), įskaitant akumulatoriaus kasetę. Lengviausias ir sunkiausias deriniai nurodyti lentelėje.

Tinkama akumulatoriaus kasetė ir (arba) įkroviklis

Akumulatoriaus kasetė	BL1815N / BL1820B / BL1830B / BL1840B / BL1850B / BL1860B
Įkroviklis	DC18RC / DC18RD / DC18RE / DC18SD / DC18SE / DC18SF / DC18SH / DC18WC

- Atsižvelgiant į gyvenamosios vietos regioną, kai kurios pirmiau nurodytos akumulatoriaus kasetės ir įkrovikliai gali būti neprieinami.

⚠️ ĮSPĖJIMAS: Naudokite tik akumulatoriaus kasetes ir įkroviklius, kurie nurodyti anksčiau. Naudojant bet kurias kitas akumulatoriaus kasetes ir įkroviklius, gali kilti sužeidimo ir gaisro pavojus.

Numatytoji naudojimo paskirtis

Šis įrenginys yra skirtas medienai, metalui ir plastmasei gręžti.

Triukšmas

Įprastas triukšmo A lygis, nustatytas pagal

EN62841-2-1:

Garso slėgio lygis (L_{PA}): 79 dB (A)

Paklaida (K): 3 dB (A)

Dirbant triukšmo lygis gali viršyti 80 dB (A).

PASTABA: Paskelbta (-os) triukšmo reikšmė (-ės) nustatyta (-os) pagal standartinį testavimo metodą ir ji galima naudoti vienam įrankiui palyginti su kitu.

PASTABA: Paskelbta (-os) triukšmo reikšmė (-ės) taip pat gali būti naudojama (-os) norint preliminariai įvertinti triukšmo poveikį.

⚠️ ĮSPĖJIMAS: Dėvėkite ausų apsaugą.

⚠️ ĮSPĖJIMAS: Faktiškai naudojant elektrinį įrankį, keliamo triukšmo dydis gali skirtis nuo paskelbtos (-ų) reikšmės (-ių), priklausomai nuo būdų, kuriais yra naudojamas šis įrankis, ir ypač nuo to, kokio tipo ruošinys apdirbamas.

⚠️ ĮSPĖJIMAS: Siekiami apsaugoti operatorių, būtinai įvertinkite saugos priemones, remdamiesi vibracijos poveikio įvertinimu esant faktinėms naudojimo sąlygoms (atsižvelgdami į visas darbo ciklo dalis, pavyzdžiui, ne tik kiek laiko įrankis veikia, bet ir kiek kartu jis yra išjungiamas bei kai jis veikia be apkrovų).

Vibracija

Vibracijos bendroji vertė (triašio vektorius suma) nustatyta pagal EN62841-2-1 standartą:

Darbo režimas: metalo gręžimas

Vibracijos emisija (a_{h,D}): 2,5 m/s² arba mažiau

Paklaida (K): 1,5 m/s²

PASTABA: Paskelbta (-os) vibracijos bendroji (-osios) reikšmė (-ės) nustatyta (-os) pagal standartinį testavimo metodą ir ji galima naudoti vienam įrankiui palyginti su kitu.

PASTABA: Paskelbta (-os) vibracijos bendroji (-osios) reikšmė (-ės) taip pat gali būti naudojama (-os) norint preliminariai įvertinti vibracijos poveikį.

⚠️ ĮSPĖJIMAS: Faktiškai naudojant elektrinį įrankį, keliamos vibracijos dydis gali skirtis nuo paskelbtos (-ų) reikšmės (-ių), priklausomai nuo būdų, kuriais yra naudojamas šis įrankis, ir ypač nuo to, kokio tipo ruošinys apdirbamas.

⚠️ ĮSPĖJIMAS: Siekdami apsaugoti operatorių, būtina įvertinkite saugos priemones, remdamiesi vibracijos poveikio įvertinimu esant faktinėms naudojimo sąlygoms (atsižvelgdami į visas darbo ciklo dalis, pavyzdžiui, ne tik kiek laiko įrankis veikia, bet ir kiek kartų jis yra išjungiamas bei kai jis veikia be apkravų).

Atitikties deklaracijos

Tik Europos šalims

Atitikties deklaracijos įtrauktos į šios naudojimo instrukcijos A priedą.

SAUGOS ĮSPĖJIMAI

Bendrieji įspėjimai dirbant elektriniais įrankiais

⚠️ ĮSPĖJIMAS Perskaitykite visus saugos įspėjimus, nurodymus, peržiūrėkite paveikslėlius ir technines sąlygas, pateiktas su šiuo elektriniu įrankiu. Nesilaikant toliau pateiktų nurodymų, galima patirti elektros šoką, sunkų sužalojimą ir (arba) sukelti gaisrą.

Išsaugokite visus įspėjimus ir instrukcijas, kad galėtumėte jas peržiūrėti ateityje.

Terminas „elektrinis įrankis“ pateiktuose įspėjimuose reiškia į maitinimo tinklą jungiamą (laidinį) elektrinį įrankį arba akumulatoriaus maitinamą (belaidį) elektrinį įrankį.

Saugos įspėjimai dėl akumulatorinio grąžto naudojimo

Visų darbų saugos instrukcijos

1. Laikykitės elektrinį įrankį už izoliuotų paviršių, jei pjovimo antgalis arba tvirtinimo elementai gali paliesti nematomus laidus. Pjovimo antgaliai ar tvirtinimo elementams prisilietus prie laido, kuriuo teka elektros srovė, neizoliuotos metalinės elektrinio įrankio dalys gali sukelti elektros smūgį ir nutrenkti operatorių.
2. Būtinai įsitikinkite, kad tvirtai stovite. Jei naudojate įrankį aukštai, įsitikinkite, ar apačioje nėra žmonių.
3. Tvirtai laikykite įrenginį.

4. Laikykitės rankas toliau nuo sukamųjų dalių.
5. Nepalikite veikiančio įrankio. Naudokite įrankį tik laikydami rankomis.
6. Nelieskite grąžto, ruošinio arba drožlių iškart po naudojimo; jie gali būti itin karšti ir nudeginti odą.
7. Kai kuriose medžiagose esama cheminių medžiagų, kurios gali būti nuodingos. Saugokitės, kad neįkvėptumėte dulkių ir nesiliestumėte oda. Laikykitės medžiagų tiekėjo saugos duomenų.
8. Jei grąžtas neatsilaisvina net atidarius žiotis, ištraukite jį replėmis. Šiuo atveju traukdami grąžtą rankomis galite susižeisti į aštrų kraštą.
9. Įsitikinkite, kad nėra jokių elektros laidų, vandentiekio vamzdžių, dujų vamzdžių ir pan., kuriuos pažeidus įrankiu gali kilti pavojus.

Saugos nurodymai, kai naudojate grąžto antgalius

1. Niekada nenaudokite grąžto antgalio didesniu greičiu, nei maksimalus vardinis greitis. Naudojant didesniu greičiu, antgalis gali sulinkti, jeigu suksis laisvai neliesdamas ruošinio, ir gali lemti sužalojimą.
2. Visada pradėkite gręžti mažesniu greičiu ir antgaliai liečiant ruošinį. Naudojant didesniu greičiu, antgalis gali sulinkti, jeigu suksis laisvai neliesdamas ruošinio, ir gali lemti sužalojimą.
3. Spauskite tik tiesia linija su antgaliu ir ne per daug stipriai. Antgaliai gali sulinkti ir lūžti arba gali būti prarastas valdymas, o tai gali lemti sužalojimą.

SAUGOKITE ŠIAS INSTRUKCIJAS.

⚠️ ĮSPĖJIMAS: NELEISKITE, kad patogumas ir gaminio pažinimas (įgyjamas pakartotinai naudojant) susilpnintų griežtą saugos taisyklių, taikytinų šiam gaminiui, laikymąsi. Dėl NETINKAMO NAUDOJIMO arba saugos taisyklių, kurios pateiktos šioje instrukcijoje, nesilaikymo galima rimtai susižeisti.

Svarbios saugos instrukcijos, taikomos akumulatoriaus kasetei

1. Prieš naudodami akumulatoriaus kasetę, perskaitykite visas instrukcijas ir perspėjimus ant (1) akumulatorių įkroviklio, (2) akumulatorių ir (3) akumulatorių naudojančio gaminio.
2. Neardykite ir negadinkite akumulatoriaus kasetės. Dėl to ji gali užsidegti, per daug įkaisti arba sprogti.
3. Jei įrankio darbo laikas žymiai sutrumpėjo, nedelsdami nutraukite darbą su įrankiu. Tai gali kelti perkaitimo, nudegimų ar net sprogdimo pavojų.
4. Jei elektrolitas pateko į akis, plaukite jas tyru vandeniu ir nedelsdami kreipkitės į gydytoją. Gali kilti regėjimo praradimo pavojus.
5. Neužtrumpinkite akumulatoriaus kasetės:
 - (1) Nelieskite kontaktų degiomis medžiagomis.
 - (2) Venkite laikyti akumulatoriaus kasetę

kartu su kitais metaliniais daiktais, pavyzdžiui, vinimis, monetomis ir pan.

- (3) Saugokite akumulatoriaus kasetę nuo vandens ir lietaus.

Trumpasis jungimas akumulatoriuje gali sukelti stiprią srovę, perkaitimą, galimus nudegimus ar net akumulatoriaus gedimą.

6. Nelaiykite ir nenaudokite įrankio ir akumulatoriaus kasetės vietose, kur temperatūra gali pasiekti ar viršyti 50 °C (122 °F).
7. Nedeginkite akumulatoriaus kasetės, net jei yra stipriai pažeista ar visiškai susidėvėjusi. Ugnyje akumulatoriaus kasetė gali sprogti.
8. Akumulatoriaus kasetės nekalkite, nepjaustykite ir nemėtykite ir taip pat jį netrankykite kietu daiktu. Taip elgiantis, ji gali užsidegti, per daug įkaisti arba sprogti.
9. Nenaudokite pažeisto akumulatoriaus.
10. Įdėtoms ličio jonų akumulatoriams taikomi Pavojingų prekių teisės akto reikalavimai. Komeracinis transportas, pvz., trečiųjų šalių, prekių vežimo atstovų, turi laikytis specialaus reikalavimo ant pakuotės ir ženklavimo. Norėdami paruošti siųstiną prekę, pasitarkite su pavojingų medžiagų specialistu. Be to, laikykitės galimai išsamesnių nacionalinių reglamentų. Užklijuokite juosta arba padenkite atvirus kontaktus ir supakuokite akumuliatorių taip, kad ji pakuotėje nejudėtų.
11. Kai išmetate akumulatoriaus kasetę, išimkite ją iš įrankio ir išmeskite saugioje vietoje. Vadovaukitės vietos reglamentais dėl akumuliatorių išmetimo.
12. Baterijas naudokite tik su „Makita“ nurodytais gaminiais. Baterijas įdėjus į netinkamus gaminius gali kilti gaisras, gaminys pernelyg įkaisti, kilti sprogimas arba pratekėti elektrolitas.
13. Jei įrankis bus ilgą laiką nenaudojamas, akumuliatorių būtina išimti iš įrankio.
14. Darbo metu ir po akumulatoriaus kasetę gali būti įkaitusi ir dėl to nudeginti. Imdami akumulatoriaus kasetes, būkite atsargūs.
15. Tuojau pat po naudojimo nelieskite įrankio gnybtų, nes jie gali būti įkaitę tiek, kad nudegins.
16. Nelieskite, kad į akumulatoriaus kasetės gnybtus, angas ir griovelius patektų drožlių, dulkių ar žemių. Jos gali sukelti kaitimą, užsidegti, sprogti ir sukelti įrankio ar akumulatoriaus kasetės gedimą, dėl ko galima nusideginti ar susižaloti.
17. Jeigu įrankis nėra pritaikytas naudoti šalia aukštos įtampos elektros linijų, akumulatoriaus kasetės nenaudokite šalia aukštos įtampos elektros linijų. Dėl to gali sutrikti įrankio ar akumulatoriaus kasetės veikimas arba jie gali sugesti.
18. Laikykite akumuliatorių vaikams nepasiekiamoje vietoje.

SAUGOKITE ŠIAS INSTRUKCIJAS.

▲PERSPĖJIMAS: Naudokite tik originalų „Makita“ akumuliatorių. Neoriginalaus „Makita“ arba pakeisto akumulatoriaus naudojimas gali nulėmti gaisrą, asmens sužalojimą ir pažeidimą. Tai taip pat panaikina „Makita“ suteikiamą „Makita“ įrankio ir įkroviklio garantiją.

Patarimai, ką daryti, kad akumulatoriaus veiktų kuo ilgiau

1. Pakraukite akumulatoriaus kasetę prieš jai visiškai išsikraunant. Visuomet nustokite naudoti įrankį ir pakraukite akumulatoriaus kasetę, kai pastebite, kad įrankio galia sumažėjo.
2. Niekada nekraukite iki galo įkrautos akumulatoriaus kasetės. Perkraunant trumpėja akumulatoriaus eksploatacijos laikas.
3. Akumulatoriaus kasetę kraukite esant kambario temperatūrai 10 - 40 °C. Prieš pradėdami krauti, leiskite įkautusiai akumulatoriaus kasetei atvėsti.
4. Kai akumulatoriaus kasetės nenaudojate, ją išimkite iš įrankio ar įkroviklio.
5. Įkraukite akumulatoriaus kasetę, jei jos nenaudojate ilgą laiką (ilgiau nei šešis mėnesius).

VEIKIMO APRAŠYMAS

▲PERSPĖJIMAS: Prieš pradėdami reguliuoti arba tikrinti įrankio veikimą, visuomet būtinai išjunkite įrankį ir išimkite akumulatoriaus kasetę.

Akumulatoriaus kasetės uždėjimas ir nuėmimas

▲PERSPĖJIMAS: Prieš įdėdami arba išimdami akumulatoriaus kasetę, visada išjunkite įrankį.

▲PERSPĖJIMAS: Įdėdami arba išimdami akumulatoriaus kasetę, tvirtai laikykite įrankį ir akumulatoriaus kasetę. Jeigu įrankį ir akumulatoriaus kasetę laikysite netvirtai, jie gali išslįsti iš jūsų rankų, todėl įrankis ir akumulatoriaus kasetė gali būti sugadinti, o naudotojas sužalotas.

Jei norite įdėti akumulatoriaus kasetę, ant akumulatoriaus kasetės esančių liežuvelių sutapdinkite su korpuse esančiu grioveliu ir įstumkite jį į skirtą vietą. Įstatykite iki pat galo, kad spragtelėdama užsifiksuotų. Jeigu matote raudoną sandariklį (indikatorių), kaip parodyta paveikslėlyje, ji nėra visiškai užfiksuota.

Jei norite išimti akumulatoriaus kasetę, ištraukite ją iš įrankio, stumdami mygtuką, esančią kasetės priekyje.

- **Pav.1:** 1. Raudonas sandariklis (indikatorius)
2. Mygtukas 3. Akumulatoriaus kasetė

▲PERSPĖJIMAS: Akumulatoriaus kasetę visada įkiškite iki galo, kol nebematysite raudono sandariklio (indikatoriaus) Priešingu atveju ji gali atsiktinai iškristi iš įrankio ir sužeisti jus arba aplinkinius.

▲PERSPĖJIMAS: Nekiškite akumulatoriaus kasetės jėga. Jeigu kasetė sunkiai lenda, ją kiškite netinkamai.

Likusis akumulatoriaus galios rodymas

Tik akumulatoriaus kasetėms su indikatoriumi

Paspauskite akumulatoriaus kasetės tikrinimo mygtuką, kad būtų rodoma likusi akumulatoriaus energija. Maždaug trims sekundėms užsidegs indikatorius lemputės.

► **Pav.2:** 1. Indikatorijų lemputės 2. Tikrinimo mygtukas

Indikatorijų lemputės			Likusi galia
Šviečia	Nešviečia	Blyksi	
■	□	◐	
■ ■ ■ ■			75 - 100 %
■ ■ ■ □			50 - 75 %
■ ■ □ □			25 - 50 %
■ □ □ □			0 - 25 %
◐ □ □ □			Įkraukite akumulatorių.
■ ■ □ □			Galimai įvyko akumulatoriaus veikimo triktis.
□ □ ■ ■			

PASTABA: Rodmuo gali šiek tiek skirtis nuo faktinės energijos lygio – tai priklauso nuo naudojimo sąlygų ir aplinkos temperatūros.

PASTABA: Veikiant akumulatoriaus apsaugos sistemai ims mirksėti pirmoji (toliausiai kairėje) indikatoriaus lemputė.

Įrankio / akumulatoriaus apsaugos sistema

Įrankyje įrengta įrankio / akumulatoriaus apsaugos sistema. Ši sistema automatiškai atjungia maitinimą, kad įrankis ir akumulatorius ilgiau veiktų. Įrankis automatiškai išsijungs darbo metu esant vienai iš toliau nurodytų įrankio arba akumulatoriaus darbo sąlygų:

Apsauga nuo perkrovos

Ši apsauga suveikia, kai įrankis naudojamas taip, kad jame neįprastai padidėja elektros srovė. Tokiu atveju išjunkite įrankį ir nutraukite darbą, dėl kurio kilo įrankio perkrova. Tada vėl įjunkite įrankį.

Apsauga nuo perkaitimo

Ši apsauga suveikia perkaitus įrankiui arba akumulatoriui. Tokiu atveju, prieš vėl jungdami įrankį, leiskite įrankiui ir akumulatoriui atvėsti.

Apsauga nuo visiško išsekvojimo

Ši apsauga suveikia, kai labai sumažėja likusi akumulatoriaus galia. Tokiu atveju ištraukite akumulatorių iš įrankio ir įkraukite.

Jungiklio veikimas

► **Pav.3:** 1. Gaidukas

▲PERSPĖJIMAS: Prieš montuodami akumulatoriaus kasetę įrankyje, visuomet patikrinkite, ar gaidukas tinkamai veikia ir atleistas grįžta į išjungimo padėtį „OFF“.

Jei norite paleisti įrankį, tiesiog patraukite jungiklį. Stipriau spaudžiant gaiduką, įrankio veikimo greitis didėja. Norėdami išjungti, atleiskite svirtinį gaiduką.

PASTABA: Laikant nuspaudus gaiduką maždaug 6 minutes, įrankis automatiškai išsijungia.

Priekinės lemputės uždegimas

► **Pav.4:** 1. Lemputė

▲PERSPĖJIMAS: Nežiūrėkite tiesiai į šviesą arba šviesos šaltinį.

Paspauskite gaiduką, kad užsidegtų lemputė. Lemputė švies tol, kol spausite gaiduką. Atleidus jungiklio gaiduką, lemputė užgesa maždaug po 10 sekundžių.

PASTABA: Kai įrankis perkaista, jis automatiškai išsijungia ir pradeda mirksėti lemputė. Šiuo atveju atlaisvinkite jungiklio paleidiklį. Po vienos minutės lemputė išsijungs.

PASTABA: Purvą nuo lemos objektyvo nuvalykite sausu skudurėliu. Būkite atsargūs, kad nesubraižytumėte lemos objektyvo, nes pablogės apšvietimas.

Atbulinės eigos jungimas

► **Pav.5:** 1. Atbulinės eigos svirtelė

▲PERSPĖJIMAS: Prieš naudodami visuomet patikrinkite sukimosi kryptį.

▲PERSPĖJIMAS: Atbulinės eigos jungiklį naudokite tik įrankiui visiškai sustojus. Jei keisite sukimosi kryptį prieš įrankiui sustojant, galite sugadinti įrankį.

▲PERSPĖJIMAS: Kai nenaudojate įrankio, visuomet nustatykite atbulinės eigos jungiklio svirtelę į neutralią padėtį.

Šis įrankis turi atbulinės eigos jungiklį sukimosi kryptčiai keisti. Nuspauskite atbulinės eigos jungiklio svirtelę iš A pusės, kad suktysi pagal laikrodžio rodyklę, arba iš B pusės, kad suktysi prieš laikrodžio rodyklę. Kai atbulinės eigos jungiklio svirtelė yra neutralioje padėtyje, jungiklio spausti negalima.

Greičio keitimas

► **Pav.6:** 1. Greičio keitimo svirtelė

⚠ PERSPĖJIMAS: Visuomet nustatykite greičio keitimo svirtelę iki galo į tinkamą padėtį. Jei įrankį valdote greičio keitimo svirtelė, nustatyta per vidurį tarp padėčių „1“ ir „2“, galite sugadinti įrankį.

⚠ PERSPĖJIMAS: Nenaudokite greičio keitimo svirtelės tol, kol įrankis veikia. Įrankis galis sugesti.


Rodomas skaičius	Greitis	Sukimo momentas	Atliekamas darbas
1	Mažas	Didelis	Didelės apkrovos darbas
2	Didelis	Mažas	Mažos apkrovos darbas


Norėdami pakeisti greitį, pirmiausiai išjunkite įrankį. Paspauskite greičio keitimo svirtelę, kad būtų rodomas „2“, reiškiantis didelį greitį, arba „1“ – mažą greitį, bet didelį sukimo momentą. Prieš pradėdami darbą, įsitinkinkite, kad greičio keitimo svirtelė nustatyta į tinkamą padėtį.

Jeigu dirbant nustačius „2“ greitį įrankio greitis stipriai sumažėja, paspauskite svirtį, kad būtų rodoma „1“, ir vėl tęskite darbą.

Veržimo sukimo momento reguliavimas

► **Pav.7:** 1. Reguliavimo žiedas 2. Padalos 3. Rodyklė

Priveržimo momentą galima reguliuoti 22 lygiais, sukant reguliavimo žiedą. Sulygiuokite padalas su rodykle, esančia ant įrankio korpuso. Galite nustatyti minimalų veržimo momentą 1 ir maksimalų veržimo momentą ties  žyma.

Sankaba slys esant įvairiems sukimo momentams, nustačius ties 1–21. Nustačius ties žyme , sankaba neveikia. Prieš pradėdami tikrą darbą, įsukite bandomąjį varžtą į reikiamą ar analogišką medžiagą, kad išsiaiškintumėte, kurio sukimo momento lygio reikia konkrečiam darbui atlikti.

Toliau bendrais bruožais nurodyta, kokias padalas reikia naudoti sukant skirtingus varžtus.

Padalos	1	2	3	4	5	6	7	8	9	10	11	12	13	14	15	16	17	18	19	20	21						
Mašininis sraigtas	M4					M5					M6																
Medvaržtis	Minkšta mediena (pvz., pušis)					–					φ3,5 x 22					φ4,1 x 38					–						
	Kieta mediena (pvz., lauanas)					–					φ3,5 x 22					φ4,1 x 38					–						

SURINKIMAS

⚠ PERSPĖJIMAS: Prieš darydami ką nors įrankiui visada patikrinkite, ar įrenginys išjungtas, o akumuliatorių kasetė – nuimta.

Suktuvo / grąžto galvučių dėjimas ir išėmimas

► **Pav.8:** 1. Įvorė 2. Uždaryti 3. Atidaryti

Pasukite įvorę prieš laikrodžio rodyklę, kad atidarytumėte kumštelinį griebtuvą. Įdėkite suktuvo / grąžto galvutę į kumštelinį griebtuvą tiek giliai, kiek lenda. Pasukite įvorę pagal laikrodžio rodyklę, kad priveržtumėte kumštelinį griebtuvą. Jei norite išimti suktuvo / grąžto galvutę, pasukite įvorę prieš laikrodžio rodyklę.

Kabliuko montavimas

⚠ JSPĖJIMAS: Naudokite pakabinamas / montuojamas dalis tik pagal jų paskirtį, pvz., įrankiui ant įrankio diržo tarp užduočių ar darbo intervalų pakabinti.

⚠ JSPĖJIMAS: Elkitės atsargiai, kad neperkrautumėte kabliuko, nes per didelė jėga ar netolygi apkrova gali lemti įrankio sugadinimą, dėl ko galima susižaloti.

⚠ PERSPĖJIMAS: Montuodami kablį, visada jį tvirtai užveržkite varžtu. Antraip kablys gali nulėkti nuo įrankio ir sužaloti.

⚠ PERSPĖJIMAS: Būtinai prieš paleisdami įrankį, jį patikimai pakabinkite. Nepakankamai ar nesubalansuotai pakabinus, įrankis gali nukristi ir sužaloti.

► **Pav.9:** 1. Griovelis 2. Kablys 3. Varžtas

Kablys yra patogus, kai norite trumpam pakabinti įrankį. Jį galima uždėti bet kurioje įrankio pusėje. Norėdami sumontuoti kablį, įkiškite jį į bet kurioje įrankio korpuso pusėje esantį griovelį, po to priveržkite jį varžtu.

Norėdami kablį nuimti, atsukite varžtą ir nuimkite jį.

Angos naudojimas

⚠ PERSPĖJIMAS: Niekada nenaudokite pakabinimo angos ne pagal paskirtį, pvz., įrankiui kabinti aukštai esančioje vietoje. Didelės apkrovos veikiamos angos įtempimas gali lemti angos apgadinimus, todėl jūs ar aplink jus ir po jumis esantys žmonės gali būti sužaloti.

► **Pav.10:** 1. Pakabinimo anga

Pakabinimo angą naudokite įrankio apatinėje galinėje dalyje įrankiui ant sienos kabinti naudojant pakabinimo virvę ar panašias virves.

Suktuvo galvutės laikiklio sumontavimas

Pasirenkamas priedas

► **Pav.11:** 1. Suktuvo galvutės montavimo laikiklis
2. Suktuvo galvutė

Įkiškite sukтуvo galvutės laikiklį į iškyšą, esančią įrankio kojelės dešinėje arba kairėje, ir tvirtai priveržkite jį varžtu.

Jeigu sukтуvo galvutės nenaudojate, palikite ją laikiklyje. Ten galima laikyti 45 mm ilgio sukтуvo galvutes.

Šoninės rankenos (išorinės rankenos) montavimas

Pasirenkamas priedas

► **Pav.12:** 1. Iškyša 2. Petys 3. Prapjova 4. Rankena

Sumontuokite šoninę rankeną taip, kad iškyšos ant peties įlįstų į prapjovą ant įrankio. Tuomet, sukdamis pagal laikrodžio rodyklę, priveržkite rankeną. Atsižvelgdami į atliekamus darbus, šoninę rankeną galite montuoti įrankio kairėje arba dešinėje pusėje.

NAUDOJIMAS

⚠ PERSPĖJIMAS: Visuomet iki galo įkiškite akumulatoriaus kasetę, kad tinkamai užsifiksuotų. Jeigu matote raudoną indikatorį viršutinėje mygtuko pusėje, ji nėra visiškai užfiksuota. Įstumkite ją iki galo tol, kol nebematysite raudono indikatoriaus. Priešingu atveju ji gali atsitiktinai iškristi iš įrankio, sužeisti jus arba aplinkinius.

⚠ PERSPĖJIMAS: Jeigu greitis nepaprastai smarkiai sumažėja, sumažinkite apkrovą arba išjunkite įrankį, kad jis nebūtų sugadintas.

Norėdami kontroliuoti užsukimą, viena ranka tvirtai laikykite įrankį už rankenos, o kita ranka – už akumulatoriaus kasetės apačios.

► **Pav.13**

Varžtų sukimas

⚠ PERSPĖJIMAS: Sureguliuokite reguliavimo žiedą tinkamam jūsų darbo lygiui.

⚠ PERSPĖJIMAS: Patikrinkite, ar sukтуvas įstatytas tiesiai į varžto galvutę, nes galima sugadinti varžtą ir (arba) sukтуvo galvutę.

Pridėkite varžtų sukтуvo galvutę prie varžto galvutės ir paspauskite įrankį. Pradėkite dirbti įrankiu mažu greičiu ir palaipsniui didinkite greitį. Atleiskite mygtuką, kai tik įlenda griebtuvus.

PASTABA: Norėdami sukti medvaržčius, iš anksto išgręžkite vedančiąsias 2/3 varžto skersmens skylutes. Tuomet medvaržčius sukti bus lengviau ir ruošinys neskilinės.

Gręžimas

Pirmiausiai pasukite reguliavimo žiedą taip, kad rodyklė būtų nukreipta į žymą. Toliau atlikite šiuos veiksmus.

Medienos gręžimas

Kai gręžiate medieną, geriausi rezultatai gaunami su gražtais, turinčiais pagrindinį varžtą. Kreipiamasis sraigtas palengvina gręžimą, įtraukdamas gražto galvutę į ruošinį.

Metalo gręžimas

Kad gražto galvutė neslystų, kai pradėdote gręžti skylę, įmuškite duobutę centro muškeliu ir plaktuku numatomoje gręžimo vietoje. Pridėkite gražto galvutės galą prie įdubimo ir pradėkite gręžti.

Gręždami metalus, naudokite pjovimo tepimo priemonę. Išimty: kai kurios geležinės ir žalvarinės detalės, kurias reikia gręžti sausai.

⚠ PERSPĖJIMAS: Per didelį įrankio spaudimą nepagreitins gręžimo. Iš tikrųjų dėl tokio spaudimo gali būti pažeista gražto galvutė, pablogėti įrankio darbas ir sutrumpėti jo eksploataavimo trukmė.

⚠ PERSPĖJIMAS: Laikykite įrankį tvirtai ir atsargiai žiūrėkite, kada gražto galvutė pradės gręžti ruošinį. Įrankį / gražto galvutę veikia didelė sukamoji jėga, kai gręžiama skylę.

⚠ PERSPĖJIMAS: Įstrigusią gražto galvutę galima ištraukti tiesiog atbulinės eigos jungiklį nustatant į atbulinės eigos padėtį. Tačiau įrankis gali grubiai judėti atgal, jei tvirtai nelaikysite įrankio.

⚠ PERSPĖJIMAS: Visada pritvirtinkite apdirbamus gaminius spaustuvuose arba panašiam prilaikymo prietaisui.

⚠ PERSPĖJIMAS: Jei įrankis naudojamas tol, kol akumulatoriaus kasetė išsikrauna, leiskite įrankiui pailsėti 15 minučių prieš tęsdami su kitu akumulatoriumi.

TECHNINĖ PRIEŽIŪRA

⚠PERSPĖJIMAS: Visuomet įsitikinkite, ar įrankis yra išjungtas ir akumuliatoriaus kasetė yra nuimta prieš atlikdami apžiūrą ir priežiūrą.

PASTABA: Niekada nenaudokite gazolino, benzino, tirpiklio, spirito arba panašių medžiagų. Gali atsirasti išblukimų, deformacijų arba įtrūkimų.

Kad gaminyt būtų SAUGUS ir PATIKIMAS, jį taisyti, apžiūrėti ar vykdyti bet kokią kitą priežiūrą ar derinimą turi įgaliotasis kompanijos „Makita“ techninės priežiūros centras; reikia naudoti tik kompanijos „Makita“ pagamintas atsargines dalis.

PASIRENKAMI PRIEDAI

⚠PERSPĖJIMAS: Šiuos papildomus priedus arba įtaisus rekomenduojama naudoti su šioje instrukcijoje nurodytu „Makita“ bendrovės įrankiu. Naudojant bet kokius kitus papildomus priedus arba įtaisus, gali kilti pavojus sužeisti žmones. Naudokite tik nurodytam tikslui skirtus papildomus priedus arba įtaisus.

Jeigu norite daugiau sužinoti apie tuos priedus, kreipkitės į artimiausią „Makita“ techninės priežiūros centrą.

- Gražtai
- Suktuvo galvutės
- Suktuvo galvutės montavimo laikiklis
- Kablys
- Šoninis spaustuvas
- Originalus „Makita“ akumuliatorius ir įkroviklis

PASTABA: Kai kurie sąrašė esantys priedai gali būti pateikti įrankio pakuotėje kaip standartiniai priedai. Jie įvairiose šalyse gali skirtis.

TEHNILISED ANDMED

Mudel:		DDF484
Puurimisvõimekus	Teras	13 mm
	Puit	38 mm
Kinnitamisevõimekus	Puidukruvi	10 mm × 90 mm
	Metallikruvi	M6
Koormuseta kiirus	Kiire (2)	0 - 2 000 min ⁻¹
	Aeglane (1)	0 - 500 min ⁻¹
Üldpikkus		162 mm või 172 mm (Riigikohane)
Nimipinge		Alalisvool 18 V
Netomass		1,5 - 2,2 kg

- Meie pideva uuringu- ja arendusprogrammi tõttu võidakse tehnilisi andmeid muuta ilma sellest ette teatamata.
- Tehnilised andmed võivad riigiti erineda.
- Kaal võib erineda olenevalt lisaseadis(t)est, kaasa arvatud akukassetist. Kergeim ja raskeim kombinatsioon on toodud tabelis.

Sobiv akukassett ja laadija

Akukassett	BL1815N / BL1820B / BL1830B / BL1840B / BL1850B / BL1860B
Laadija	DC18RC / DC18RD / DC18RE / DC18SD / DC18SE / DC18SF / DC18SH / DC18WC

- Mõned eespool loetletud akukassetid ja -laadijad ei pruugi olla teie riigis saadaval.

⚠HOIATUS: Kasutage ainult ülalpool loetletud akukassette ja laadijaid. Muude akukassettide ja laadijate kasutamine võib tekitada vigastusi ja/või tulekahju.

Kavandatud kasutus

See tööriist on mõeldud puidu, metalli ja plasti puurimiseks ning sinna kruvide keeramiseks.

Müra

Tüüpiline A-korrigeeritud müratase, määratud standardi EN62841-2-1 kohaselt:

Helirõhutase (L_{pA}): 79 dB (A)

Määramatus (K): 3 dB (A)

Töötamisel võib müratase ületada 80 dB (A).

MÄRKUS: Deklareeritud müra väärtust (väärtuseid) on mõõdetud kooskõlas standardse katsemeetodiga ning seda võib kasutada ühe seadme võrdlemiseks teisega.

MÄRKUS: Deklareeritud müra väärtust (väärtuseid) võib kasutada ka mürataseme esmaseks hindamiseks.

⚠HOIATUS: Kasutage kõrvakaitsmeid.

⚠HOIATUS: Müratase võib elektritööriista tege-
likkuses kasutamise ajal erineda deklareeritud
väärtust(t)est olenevalt tööriista kasutusviisidest
ja eriti töödeldavast toorikust.

⚠HOIATUS: Rakendage operaatori kaitsmi-
seks kindlasti piisavaid ohutusabinõusid, mis
põhinevad hinnangulisel müratasemel tegelikus
töösituatsioonis (võttes arvesse tööperioodi kõiki
osasid, näiteks korrad, kui seade lülitatakse välja
ja seade töötab tühikäigul, lisaks tööajale).

Vibratsioon

Vibratsiooni koguväärtus (kolmeteljeliste vektorite summa) määratud standardi EN62841-2-1 kohaselt:
Töörežiim: metalli puurimine
Vibratsiooniheide ($a_{h,D}$): 2,5 m/s² või vähem
Määramatus (K): 1,5 m/s²

MÄRKUS: Deklareeritud vibratsiooni koguväärtust (-väärtuseid) on mõõdetud kooskõlas standardse katsemeetodiga ning seda võib kasutada ühe seadme võrdlemiseks teisega.

MÄRKUS: Deklareeritud vibratsiooni koguväärtust (-väärtuseid) võib kasutada ka mürataseme esmaseks hindamiseks.

⚠HOIATUS: Vibratsioonitase võib elektritööriista tegelikkuses kasutamise ajal erineva deklareeritud väärtus(t)est olenevalt tööriista kasutusviisidest ja eriti töödeldavast toorikust.

⚠HOIATUS: Rakendage operaatori kaitsmiseks kindlasti piisavaid ohutusabinõusid, mis põhinevad hinnangulisel müratasemel tegelikus töösihtuolukorras (võttes arvesse tööperioodi kõiki osasid, näiteks korrad, kui seade lülitatakse välja ja seade töötab tühikäigul, lisaks tööajale).

Vastavusdeklaratsioon

Ainult Euroopa riikide puhul

Vastavusdeklaratsioonid on selle juhendi A-lisas.

OHUTUSHOIATUSED

Üldised elektritööriistade ohutusohiatused

⚠HOIATUS Lugege läbi kõik selle elektritööriista kaasas olevad ohutusohiatused, juhised, illustratsioonid ja tehnilised andmed. Alljärgnevate juhiste eiramine võib põhjustada elektrilöögi, süttimise ja/või raske kehavigastuse.

Hoidke edaspidisteks viideteks alles kõik hoiatused ja juhtnõõrid.

Hoiatustes kasutatud termini „elektritööriist“ all peetakse silmas elektriga töötavaid (juhtmega) elektritööriistu või akuga töötavaid (juhtmeta) elektritööriistu.

Juhtmeta trell-krivikeeraja ohutusnõuded

Kõikide toimingute ohutusjuhised

1. Hoidke elektritööriista töö ajal isoleeritud haardepindadest, kui lõikeriist või kinnitusvahendid võivad kokku puutuda peidetud juhtmetega. Voolu all oleva juhtmega kokkupuutesse sattunud lõiketarvikud või kinnitusvahendid võivad pingestada elektritööriista metallosi ja põhjustada kasutajale elektrilöögi.
2. Veenduge alati, et teie jalgealune oleks kindel. Kui töötate kõrguses, siis jälgige, et teist allpool ei viibiks inimesi.
3. Hoidke tööriistast kindlalt kinni.
4. Hoidke käed eemal pöörlevatest osadest.
5. Ärge jätke tööriista käima. Käivitage tööriist ainult siis, kui hoiate seda käes.
6. Ärge puudutage puuriotsakut, töödeldavat detaili ega laaste vahetult pärast tööoperatsiooni, sest need võivad olla äärmiselt kuumad ja põletada nahka.
7. Mõned materjalid võivad sisaldada mürgiseid aineid. Võtke meetmed tolmu sissehingamise ja nahaga kokkupuute vältimiseks. Järgige

materjali tarnija ohustusteavet.

8. Kui puuri ei saa lõdvemaks lasta, isegi kui haaratsid avate, kasutage selle väljatõmbamiseks tange. Sellisel juhul võib puuri terav serv tekitada selle käega väljatõmbamisel vigastusi.
9. Veenduge, et tööriista kasutamisel ei oleks läheduses elektrijuhtmeid, vee- ja gaasitorusid jne, mis võivad kahjustamise korral tekitada ohtu.

Ohutusnõuded pikkade puuriotsakute kasutamisel

1. Ärge kunagi töötaga tööriista puuriotsakul märgitud maksimaalsest kiirusest kiiremini. Suuremal kiirusel võib vabalt töötav, töödeldava pinnaga mitte kokkupuutes olev otsak kõverduda ja põhjustada kehalisi vigastusi.
2. Alustage puurimist alati madalamal kiirusel nii, et otsaku ots on kokkupuutes töödeldava pinnaga. Suuremal kiirusel võib vabalt töötav, töödeldava pinnaga mitte kokkupuutes olev otsak kõverduda ja põhjustada kehalisi vigastusi.
3. Avaldage survet ainult otsakule otse ja ärge kasutage liigset survet. Otsakud võivad kõverduda ja põhjustada murdumist või kontrollikaotust ning tuua kaasa kehalisi vigastusi.

HOIDKE JUHEND ALLES.

⚠HOIATUS: ÄRGE UNUSTAGE järgida toote ohutusnõudeid mugavuse või toote (korduskasutamise saavutatud) hea tundmise tõttu. VALE KASUTUS või kasutusjuhendi ohutuseeskirjade eiramine võib põhjustada tervisekahjustusi.

Akukassetiga seotud olulised ohutusjuhised

1. Enne akukasseti kasutamist lugege (1) akulaadimise, (2) akul ja (3) seadmel olevad juhtnõõrid ja hoiatused läbi.
2. Ärge võtke akukassetti lahti ega muutke seda. See võib põhjustada tulekahju, liigset kuumust või plahvatust.
3. Kui tööaeg järsult lüheneb, siis lõpetage kohe kasutamine. Edasise kasutamise tulemuseks võib olla ülekuumenemisoht, võimalikud põletused või isegi plahvatus.
4. Kui elektrilüüti satub silma, siis loputage silma puhta veega ja pöörduge koheselt arsti poole. Selline õnnetus võib põhjustada pimedaksjäämist.
5. Ärge tekitage akukassetis lühist:
 - (1) Ärge puutuge klemme elektrijuhtmetega.
 - (2) Ärge hoidke akukassetti tööriistakassis koos metallsemetega, nagu naelad, mündid jne.
 - (3) Ärge tehke akukassetti märjaks ega jätke seda vihma kätte.Aku lühis võib põhjustada tugevat elektrivoolu, ülekuumenemist, põletusi ning ka seadet tõsiselt kahjustada.
6. Ärge hoidke ega kasutage tööriista ja akukassetti kohtades, kus temperatuur võib tõusta üle 50 °C (122 °F).
7. Ärge põletage akukassetti isegi siis, kui see on

saanud tõsiselt vigastada või on täiesti kulu-
nud. Akukassett võib tules plahvatada.

8. Ärge naelutage, löigake, muljuge, visake aku-
kassetti ega laske sel kukkuda, samuti ärge
lööge selle pihta kõva esemega. Selline tegevus
võib põhjustada tulekahju, liigset kuumust või
plahvatuse.
9. Ärge kasutage kahjustatud akut.
10. Sisalduvatele liitium-ioonakudele võivad
kohalduda ohtlike kaupade õigusaktide nõu-
ded.

Kaubanduslikul transportimisel, näiteks kolman-
date poolte või transpordiettevõtete poolt, tuleb
järgida pakendil ja siltidel toodud erinõudeid.
Transportimiseks ettevalmistamisel on vajalik
pidada nõu ohtliku materjali eksperdigaga. Samuti
tuleb järgida võimalike riiklike regulatsioonide
üksikasjalikumaid nõudeid.

Katke teibiga või varjake avatud kontaktid ja
pakendage aku selliselt, et see ei saaks pakendis
liikuda.

11. Kasutuskõlbmatuks muutunud akukassetti
kõrvaldamiseks eemaldage see tööriistast ja
viige selleks ette nähtud kohta. Järgige kasu-
tuskõlbmatuks muutunud aku kõrvaldamisel
kohalikke eeskirju.
12. Kasutage akusid ainult Makita heaks kiidetud
toodetega. Akude paigaldamine selleks mitte
ettenähtud toodetele võib põhjustada süttimist,
ülemäärast kuumust, plahvatamist või elektrolüüdi
lekkimist.
13. Kui tööriista ei kasutata pika ajaperioodi jook-
sul, tuleb aku tööriistast eemaldada.
14. Kasutamise ajal ja pärast kasutamist võib
akukassett kuumeneda, mis võib põhjustada
põletusi või madala temperatuuri põletusi.
Olge kuumade akukassetti kandmisel ettevaatlik.
15. Ärge puudutage tööriista klemmi kohe pärast
kasutamist, sest see võib olla kuum ja põhjus-
tada põletusi.
16. Hoidke akukassetti klemmid, avad ja sooned
tükikestest, tolmust ja mullast puhtad. See
võib põhjustada tööriista või aku ülekuumenemist,
süttimist, purunemist ja talitlushäireid, mis võib
lõppeda põletuste või kehavigastustega.
17. Kui tööriista ei kannata kasutamist kõrgepin-
geliinide lähedal, ärge kasutage akukassetti
kõrgepingeliinide lähedal. Muidu võib tööriist või
akukassett puruneda või sellel tõrge tekkida.
18. Hoidke akut lastele kättesaamatult.

HOIDKE JUHEND ALLES.

⚠ETTEVAATUST: Kasutage ainult Makita
originaalakusid. Mitte Makita originaalakude või
muudetud akude kasutamine võib põhjustada akude
süttimise, kehavigastuse ja kahjustuse. Samuti muu-
dab see kehtetuks Makita tööriista ja laadija Makita
garantii.

Vihjeid aku maksimaalse kasu- tusaja tagamise kohta

1. Laadige akukassetti enne selle täielikku
tühjenemist. Kui märkate, et tööriist töötab
väiksema võimsusega, peatage töö ja laadige

akukassetti.

2. Ärge laadige täielikult laetud akukassetti.
Ülelaadimine lühendab akude kasutusiga.
3. Laadige akukassetti toatemperatuuril 10 °C -
40 °C. Enne laadimist laske kuumenenud aku-
kassetil maha jahtuda.
4. Kui te ei kasuta parajasti akukassetti, eemal-
dage see tööriistast või laadurist.
5. Kui te ei kasuta akukassetti kauem kui kuus
kuud, laadige see.

FUNKTSIONAALNE KIRJELDUS

⚠ETTEVAATUST: Kandke alati hoolt selle eest,
et tööriist oleks enne reguleerimist ja kontrolli-
mist välja lülitatud ja akukassett eemaldatud.

Akukassetti paigaldamine või eemaldamine

⚠ETTEVAATUST: Lülitage tööriist alati enne
akukassetti paigaldamist või eemaldamist välja.

⚠ETTEVAATUST: Akukassetti paigaldamisel
või eemaldamisel tuleb tööriista ja akukassetti
kindlalt paigal hoida. Kui tööriista ja akukassetti ei
hoita kindlalt paigal, võivad need käest libiseda ning
kahjustada tööriista ja akukassetti või põhjustada
kehavigastusi.

Akukassetti paigaldamiseks joondage akukassetti keel
korpuse soonega ja libistage kassetti oma kohale.
Sisestage see tervenisti, kuni see lukustub klõpsuga
oma kohale. Kui näete joonisel näidatud punast näidi-
kut, pole see täielikult lukustunud.

Akukassetti eemaldamiseks libistage see tööriista kül-
jest lahti, vajutades kassetti esiküljel paiknevat nuppu
alla.

► **Joon.1:** 1. Punane näidik 2. Nupp 3. Akukassett

⚠ETTEVAATUST: Paigaldage akukassetti alati
täies ulatuses nii, et punast osa ei jääks näha.
Muidu võib adapter juhuslikult tööriistast välja kuk-
kuda ning põhjustada teile või läheduses viibivatele
isikutele vigastusi.

⚠ETTEVAATUST: Ärge rakendage akukassetti
paigaldamisel jõudu. Kui kassetti ei lähe kergesti
sisse, pole see õigesti paigaldatud.

Aku jääkmahutavuse näit

Ainult näidikuga akukassettidele

Akukassetti järelejäänud mahutavuse kontrollimiseks
vajutage kontrollimise nuppu. Märgulambid süttivad
mõneks sekundiks.

► **Joon.2:** 1. Märgulambid 2. Kontrollimise nupp

Märgulambid			Jääkmahutavus
Pöleb	Ei põle	Vilgub	
■	□	▧	75 - 100%
■	■	■	
■	■	□	50 - 75%
■	□	□	25 - 50%
■	□	□	0 - 25%
▧	□	□	Laadige akut.
■	■	□	Akul võib olla tõrge.
□	□	■	

MÄRKUS: Näidatud mahutavus võib veidi erineda tegelikust mahutavusest olenevalt kasutustingimustest ja ümbritseva keskkonna temperatuurist.

MÄRKUS: Esimene (taga vasakul asuv) märgutuli vilgub, kui akukaitsesüsteem töötab.

Tööriista/aku kaitsesüsteem

Tööriist on varustatud tööriista/aku kaitsesüsteemiga. Süsteem lülitab elektritööriista automaatselt välja, et pikendada tööriista ja aku tööiga. Tööriist seiskub käitamise ajal automaatselt, kui tööriista või aku kohta kehtib üks järgmistest tingimustest.

Ülekoormuskaitse

Kaitse hakkab tööle siis, kui tööriista kasutatakse viisil, mis põhjustab toitevoolu tugevuse tõusu lubatust kõrgemale. Sel juhul lülitage tööriist välja ja lõpetage tööriista ülekoormuse põhjustanud töö. Pärast seda käivitage tööriist uuesti.

Ülekuumenemiskaitse

See kaitse hakkab tööle, kui tööriista või aku on ülekuumenenud. Laske sellisel juhul tööriistal ja akul enne tööriista uuesti sisselülitamist jahtuda.

Ülelaadimiskaitse

See kaitse hakkab tööle, kui aku võimsus väheneb. Sellisel juhul eemaldage aku tööriistast ja laadige akut.

Lüliti funktsioneerimine

► **Joon.3:** 1. Lüliti päästik

⚠ETTEVAATUST: Kontrollige alati enne akukasseti tööriista külge paigaldamist, kas lüliti päästik funktsioneerib nõuetekohaselt ja liigub lahtilaskmisel tagasi väljalülitatud asendisse.

Tööriista tööle panemiseks on vaja lihtsalt lüliti päästikut tõmmata. Tööriista kiirus kasvab siis, kui suurendate survet lüliti päästikule. Vabastage lüliti päästik tööriista seiskamiseks.

MÄRKUS: Tööriist seiskub automaatselt, kui vajutate lülitipäästikut umbes 6 minutit.

Eesmise lambi süütamine

► **Joon.4:** 1. Lamp

⚠ETTEVAATUST: Ärge vaadake otse valgusse ega valgusallikat.

Lambi süütamiseks tõmmake lüliti päästikut. Lamp põleb sel ajal, kui tõmmatakse lüliti päästikut. Lamp kustub umbes 10 sekundit pärast lüliti päästiku vabastamist.

MÄRKUS: Kui tööriist on ülekuumenenud, seiskub tööriist automaatselt ja lamp hakkab vilkuma. Sellisel juhul vabastage lüliti päästik. Lamp lülitub ühe minuti pärast välja.

MÄRKUS: Pühkige lamp kuiva lapiga puhtaks. Olge seda tehes ettevaatlik, et lambi läätse mitte kriimustada, sest muidu võib valgustus väheneda.

Suunamuutmise lüliti töötamisviis

► **Joon.5:** 1. Suunamuutmise lüliti hoob

⚠ETTEVAATUST: Enne töö alustamist kontrollige alati pöörlemise suunda.

⚠ETTEVAATUST: Kasutage suunamuutmislülitit alles pärast tööriista täielikku seiskumist. Enne tööriista seiskumist suuna muutmine võib tööriista kahjustada.

⚠ETTEVAATUST: Kui tööriista ei kasutata, peab suunamuutmislülitit hoob olema alati neutraalses asendis.

Sellel tööriistal on suunamuutmise lüliti, millega saab muuta pöörlemise suunda. Suruge suunamuutmislülitit hoob A-küljel alla – tööriist pöörleb päripäeva, vastupäeva pöörlemiseks suruge see alla B-küljel. Kui suunamuutmislülitit hoob on neutraalses asendis, siis lüliti päästikut tõmmata ei saa.

Kiiruse muutmine

► **Joon.6:** 1. Kiiruseregulaatori hoob

⚠ETTEVAATUST: Seadke kiiruseregulaatori hoob alati korralikult õigesse asendisse. Tööriista kasutamine sellisel, et kiiruseregulaatori hoob paikneb „1” ja „2” asendi vahel, võib tööriista kahjustada.

⚠ETTEVAATUST: Ärge kasutage kiiruseregulaatori hooba siis, kui tööriist töötab. See võib tööriista kahjustada.

Näha olev number	Kiirus	Väändmoment	Sobiv toiming
1	Kiire	Aeglane	Suure koormusega töötamine
2	Aeglane	Kiire	Kerge koormusega töötamine

Kiiruse muutmiseks lülitage tööriist kõigepealt välja.



Vajutage kiirusregulaatori hooba nii, et kiire kiiruse puhul oleks nähtaval „2”, ning aeglase kiiruse, kuid suure jõumomendi puhul „1”. Veenduge, et kiirusregulaatori hoob oleks enne töötamise alustamist õiges

asendis.

Kui kiirus väheneb seadistuse „2” kasutamise ajal liiga järsult, vajutage hoob seadistusele „1” ja alustage töötamist uuesti.

Kinnitamiste väändmomendi reguleerimine

► **Joon.7:** 1. Reguleerimisrõngas 2. Mõõteskaala
3. Nool

Pingutusjõude saab reguleerimisrõngast pöörates 22 astme ulatuses muuta. Viige gradeerimisnumbrid kohakuti tööriista korpusele oleva noolega. Minimaalse pingutusjõu saate „1” ja maksimaalse pingutusjõu  märgise juures. Sidur libiseb erinevatel väändmomendi tasemetel, kui seadeks on number 1 kuni 21. Märgise  juures sidur ei toimi.

Enne tööriista kasutamist kruvige üks kruvi prooviks töödeldavasse pinda või sarnasesse pinda, et teha kindlaks, milline väändmomendi tase on töö jaoks sobivaim.

Alljärgneval joonisel on näidatud kruvi suuruse ja mõõteskaala jaotise ligikaudne vastavus.

Mõõteskaala		1	2	3	4	5	6	7	8	9	10	11	12	13	14	15	16	17	18	19	20	21
Metallikruvi		M4						M5						M6								
Puidukruvi	Okaspuu (näiteks mänd)	–						φ3,5 × 22			φ4,1 × 38			–								
	Lehtpuu (näiteks lauan)	–						φ3,5 × 22			φ4,1 × 38			–								

KOKKUPANEK

⚠ETTEVAATUST: Kandke alati hoolt selle eest, et tööriist oleks enne igasuguseid hooldustöid välja lülitatud ja akukassett eemaldatud.

Kruvikeeraja otsaku / puuriotsaku paigaldamine või eemaldamine

► **Joon.8:** 1. Hülss 2. Sulge 3. Ava

Keerake pakkide avamiseks padruni keret vastupäeva. Paigaldage kruvikeeraja otsak / puuriotsak padrunisse maksimaalsele sügavusele. Keerake padruni pingutamiseks selle keret vastupäeva. Kruvikeeraja otsaku / puuriotsaku eemaldamiseks keerake padruni keret vastupäeva.

Konksu paigaldamine

⚠HOIATUS: Kasutage riputus- ja kinnitusosi ainult ettenähtud otstarbel, näiteks tööriista riputamiseks tööriistarihmale tööde või tööintervallide vahel.

⚠HOIATUS: Olge ettevaatlik ja ärge koormake konksu üle, kuna liiga suur jõud või ebaregulaarne ülekoormus võib tööriista kahjustada ja tekitada kehavigastusi.

⚠ETTEVAATUST: Konksu paigaldamisel keerate kruvi alati tugevalt kinni. Muidu võib konks tööriistalt lahti tulla ja kehavigastusi põhjustada.

⚠ETTEVAATUST: Enne oma haarde vabastamist veenduge, et tööriist oleks korralikult riputatud. Ebapiisav või tasakaalustamata haakimine võib põhjustada kukkumist ja lõppeda vigastustega.

► **Joon.9:** 1. Soon 2. Konks 3. Kruvi

Konksu abil saate tööriista ajutiselt kuhugi riputada. Selle võib paigaldada tööriista ükskõik kummale küljele. Konksu paigaldamiseks torgake see tööriista korpuse ükskõik kummal küljel olevasse õnarusse ja kinnitage kruviga. Eemaldamiseks lödvendage kruvi ja võtke see siis välja.

Augu kasutamine

⚠HOIATUS: Ärge kunagi kasutage riputusauku mittesobival otstarbel, näiteks tööriista riputamiseks kõrgetesse kohtadesse. Tugevalt koormatud august põhjustatud stress võib auku kahjustada, põhjustades teie, teie ümber või all olevate inimeste vigastusi.

► **Joon.10:** 1. Riputusauk

Kasutage tööriista tagaosas asuvat riputusauku, et riputada tööriist riputusnööri või sarnaste nõõride abil seinale.

Kruvikeeraja otsaku hoidiku paigaldamine

Valikuline tarvik

► **Joon.11:** 1. Kruvikeeraja otsaku hoidik
2. Kruvikeeraja otsak

Asetage kruvikeeraja otsakute hoidik tööriista jalami juures parem- või vasakpoolsel küljel olevasse eendisse ja kinnitage kruviga. Kui te kruvikeeraja otsakuid ei kasuta, hoidke neid kruvikeeraja otsakute hoidikus. Seal saate hoida kuni 45 mm pikkuseid kruvikeeraja otsakuid.

Külglkäepideme (abipide) paigaldamine

Valikuline tarvik

► **Joon.12:** 1. Eenduv osa 2. Õlg 3. Süvend 4. Käepide

Paigaldage külglkäepideme niimoodi, et õlal olevad eenduvad osad asetuksid tööriista süvenditesse. Seejärel kinnitage käepide, keerates seda päripäeva. Olenevalt operatsioonist võite külglkäepideme paigaldada kas tööriista parem- või vasakpoolsel küljele.

TÖÖRIISTA KASUTAMINE

⚠ETTEVAATUST: Pange akukassett alati sisse nii sügavale, et see lukustuks oma kohale. Kui näete nupu ülaosas punast osa, pole kassett täielikult lukustunud. Sisestage see täies ulatuses nii, et punast osa ei jääks näha. Muidu võib adapter juhuslikult tööriistast välja kukkuda ning põhjustada teile või läheduses viibivatele isikutele vigastusi.

⚠ETTEVAATUST: Kui kiirus väheneb olulisel määral, siis vähendage koormust või seisake tööriist, et vältida tööriista kahjustamist.

Väändeliikumise kontrolli all hoidmiseks hoidke tööriista kindlalt ühe käega käepidemest ja teise käega akukasseti alt.

► **Joon.13**

Kruvikeeraja režiim

⚠ETTEVAATUST: Reguleerige regulaatorrõngas tööks sobivale väändemomendi tasemele.

⚠ETTEVAATUST: Veenduge, et kruvikeeraja otsak oleks asetatud kruvipeasse otse, sest muidu võite kruvi ja/või kruvikeeraja otsakut kahjustada.

Asetage kruvikeeraja otsaku tipp kruvipeasse ja suruge tööriistale. Käivitage tööriist aeglaselt ja seejärel suurendage järk-järgult kiirust. Vabastage lüliti päästik niipea, kui sidur rakendub.

MÄRKUS: Puidukruvi paigaldamisel puurige enne juhtauk, mille läbimõõt moodustab 2/3 kruvi läbimõõdu. See hõlbustab kruvi paigaldamist ja aitab vältida töödeldava detaili lõhenemist.

Puurimisrežiim

Esmaalt pöörake reguleerimisrõngast nii, et nool oleks suunatud märgisele . Seejärel tegutsage järgmiselt.

Puidu puurimine

Puidu puurimise hõlbustamiseks kasutage juhtkruviga puure. Juhtkruvi lihtsustab puurimist, tõmmates kruvikeeraja otsaku pinna sisse.

Metalli puurimine

Puuriotsaku libisemise vältimiseks puurimise alustamise hetkel, tehke puuritavasse kohta kärni ja haamriga mäрге. Asetage puuriotsaku tipp märgi kohale ja alustage puurimist.

Metallide puurimisel kasutage lõikamismääret. Erandiks on mõned rauad ja messingid, mida tuleb puurida kuivalt.

⚠ETTEVAATUST: Liiga suur surve seadmele ei kiirenda puurimist. Liigne surve hoopis kahjustab puuriotsaku tippu, vähendab seadme efektiivsust ja lühendab seadme tööiga.

⚠ETTEVAATUST: Hoidke tööriista kindlalt ning olge tähelepanelik, kui puuriotsak hakkab puuritava materjalist läbi tungima. Materjali läbistamisel rakendub tööriistale/puuriotsakule väga suur jõud.

⚠ETTEVAATUST: Kinnikiilunud puuriotsaku saab lihtsalt vabastada, kui muudate puuri pöörlemissuuna vastupidiseks. Kui tööriista ei hoita kindlalt, võib see ootamatult tagasi viskuda.

⚠ETTEVAATUST: Kinnitage töödeldavad esemed alati kruustangide või mõne sarnase kinnitusvahendiga.

⚠ETTEVAATUST: Kui tööriistaga töötatakse järjest seni, kuni akukassett on tühi, laske tööriistal enne uue akuga töö jätkamist 15 minutit seista.

HOOLDUS

⚠ETTEVAATUST: Enne kontroll- või hooldustoimingute tegemist kandke alati hoolt selle eest, et tööriist oleks välja lülitatud ja akukassett korpuse küljest eemaldatud.

TÄHELEPANU: Ärge kunagi kasutage bensiini, vedeldit, alkoholi ega midagi muud sarnast. Selle tulemuseks võib olla luitumine, deformatsioon või pragunemine.

Toote OHUTUSE ja TÕÕKINDLUSE tagamiseks tuleb vajalikud remonttööd ning muud hooldus- ja reguleerimistööd lasta teha Makita volitatud teeninduskeskustes või tehase teeninduskeskustes. Alati tuleb kasutada Makita varuosi.

VALIKULISED TARVIKUD

⚠ETTEVAATUST: Neid tarvikuid ja lisaseadiseid on soovitatav kasutada koos Makita tööriistaga, mille kasutamist selles kasutusjuhendis kirjeldatakse. Muude tarvikute ja lisaseadiste kasutamisega kaasneb vigastada saamise oht. Kasutage tarvikuid ja lisaseadiseid ainult otstarbekohaselt.

Saate vajaduse korral kohalikust Makita teeninduskeskusest lisateavet nende tarvikute kohta.

- Puurid
- Kruvikeeraja otsakud
- Kruvikeeraja otsaku hoidik
- Konks
- Külgkäepide
- Makita algupärane aku ja laadija

MÄRKUS: Mõned nimekirjas loetletud tarvikud võivad kuuluda standardvarustusse ning need on lisatud tööriista pakendisse. Need võivad riigiti erineda.

ТЕХНИЧЕСКИЕ ХАРАКТЕРИСТИКИ

Модель:		DDF484
Максимальный диаметр сверления	Сталь	13 мм
	Дерево	38 мм
Усилие затяжки	Шуруп	10 мм x 90 мм
	Мелкий крепежный винт	M6
Число оборотов без нагрузки	Высокое (2)	0 - 2 000 мин ⁻¹
	Низкое (1)	0 - 500 мин ⁻¹
Общая длина	162 мм или 172 мм (в зависимости от страны)	
Номинальное напряжение	18 В пост. тока	
Масса нетто	1,5 - 2,2 кг	

- Благодаря нашей постоянно действующей программе исследований и разработок указанные здесь технические характеристики могут быть изменены без предварительного уведомления.
- Технические характеристики могут различаться в зависимости от страны.
- Масса может отличаться в зависимости от насадки(-ок), включая блок аккумулятора. В таблице представлены комбинации с наименьшей и наибольшей массой.

Подходящий блок аккумулятора и зарядное устройство

Блок аккумулятора	BL1815N / BL1820B / BL1830B / BL1840B / BL1850B / BL1860B
Зарядное устройство	DC18RC / DC18RD / DC18RE / DC18SD / DC18SE / DC18SF / DC18SH / DC18WC

- В зависимости от региона проживания некоторые блоки аккумуляторов и зарядные устройства, перечисленные выше, могут быть недоступны.

⚠ОСТОРОЖНО: Используйте только перечисленные выше блоки аккумуляторов и зарядные устройства. Использование других блоков аккумуляторов и зарядных устройств может привести к травме и/или пожару.

Назначение

Инструмент предназначен для сверления и закручивания шурупов в дерево, металл и пластик.

Шум

Типичный уровень взвешенного звукового давления (A), измеренный в соответствии с EN62841-2-1:
 Уровень звукового давления (L_{рA}): 79 дБ (A)
 Погрешность (K): 3 дБ (A)

Уровень шума при выполнении работ может превышать 80 дБ (A).

ПРИМЕЧАНИЕ: Заявленное значение распространения шума измерено в соответствии со стандартной методикой испытаний и может быть использовано для сравнения инструментов.

ПРИМЕЧАНИЕ: Заявленное значение распространения шума можно также использовать для предварительных оценок воздействия.

⚠ОСТОРОЖНО: Используйте средства защиты слуха.

⚠ОСТОРОЖНО: Распространение шума во время фактического использования электроинструмента может отличаться от заявленного значения в зависимости от способа применения инструмента и в особенности от типа обрабатываемой детали.

⚠ОСТОРОЖНО: Обязательно определите меры безопасности для защиты оператора, основанные на оценке воздействия в реальных условиях использования (с учетом всех этапов рабочего цикла, таких как выключение инструмента, работа без нагрузки и включение).

Вибрация

Суммарное значение вибрации (сумма векторов по трем осям), определенное в соответствии с EN62841-2-1:
 Рабочий режим: сверление металла
 Распространение вибрации (a_{hD}): 2,5 м/с² или менее
 Погрешность (K): 1,5 м/с²

ПРИМЕЧАНИЕ: Заявленное общее значение распространения вибрации измерено в соответствии со стандартной методикой испытаний и может быть использовано для сравнения инструментов.

ПРИМЕЧАНИЕ: Заявленное общее значение распространения вибрации можно также использовать для предварительных оценок воздействия.

⚠ОСТОРОЖНО: Распространение вибрации во время фактического использования электроинструмента может отличаться от заявленного значения в зависимости от способа применения инструмента и в особенности от типа обрабатываемой детали.

⚠ОСТОРОЖНО: Обязательно определите меры безопасности для защиты оператора, основанные на оценке воздействия в реальных условиях использования (с учетом всех этапов рабочего цикла, таких как выключение инструмента, работа без нагрузки и включение).

Декларации о соответствии

Только для европейских стран

Декларации о соответствии включены в Приложение А к настоящему руководству по эксплуатации.

МЕРЫ БЕЗОПАСНОСТИ

Общие рекомендации по технике безопасности для электроинструментов

⚠ОСТОРОЖНО Ознакомьтесь со всеми инструкциями по технике безопасности, указаниями, иллюстрациями и техническими характеристиками, прилагаемыми к данному электроинструменту. Несоблюдение всех приведенных далее инструкций может привести к поражению электрическим током, возгоранию и/или тяжелым травмам.

Сохраните брошюру с инструкциями и рекомендациями для дальнейшего использования.

Термин "электроинструмент" в предупреждениях относится ко всему инструменту, работающему от сети (с проводом) или на аккумуляторах (без провода).

Меры безопасности при использовании аккумуляторной дрели-шурупверта

Инструкции по технике безопасности при выполнении работ

1. Если при выполнении работ существует риск контакта режущего инструмента или крепежей со скрытой электропроводкой,

держите электроинструмент за специальные изолированные поверхности. Контакт режущего инструмента или крепежей с проводом под напряжением может привести к тому, что металлические детали инструмента также окажутся под напряжением, что может стать причиной поражения оператора током.

2. При выполнении работ всегда занимайте устойчивое положение. При использовании инструмента на высоте убедитесь в отсутствии людей внизу.
3. Крепко держите инструмент.
4. Руки должны находиться на расстоянии от вращающихся деталей.
5. Не оставляйте работающий инструмент без присмотра. Включайте инструмент только тогда, когда он находится в руках.
6. Не касайтесь головки сверла, обрабатываемой детали или опилок сразу же после работы: они могут быть очень горячими и обжечь кожу.
7. Некоторые материалы могут содержать токсичные химические вещества. Примите соответствующие меры предосторожности, чтобы избежать вдыхания или контакта с кожей таких веществ. Соблюдайте требования, указанные в паспорте безопасности материала.
8. Если головку сверла не удастся ослабить даже с помощью открывания зажимов, воспользуйтесь плоскогубцами, чтобы вытянуть ее. Вытягивание головки сверла вручную может привести к травмированию ее острой кромкой.
9. Убедитесь в отсутствии поблизости электрических проводов, водопроводных и газовых труб и других предметов, которые могут стать причиной опасной ситуации в случае их повреждения при использовании инструмента.

Инструкции по технике безопасности при использовании удлиненных головок сверла

1. Запрещено работать на рабочей частоте, превышающей максимальные номинальные значения для головки сверла. На более высоких рабочих частотах сверло может изогнуться, если позволить ему вращаться свободно без контакта с заготовкой, что может привести к травме.
2. Всегда начинайте сверление на низкой частоте, прижав кончик сверла к заготовке. На более высоких рабочих частотах сверло может изогнуться, если позволить ему вращаться свободно без контакта с заготовкой, что может привести к травме.
3. Прикладывайте давление к инструменту только по оси сверла и не прижимайте сверло слишком сильно. Сверла могут согнуться, что приведет к поломке или потере контроля и может стать причиной травмы.

СОХРАНИТЕ ДАННЫЕ ИНСТРУКЦИИ.

⚠ОСТОРОЖНО: НЕ ДОПУСКАЙТЕ, чтобы удобство или опыт эксплуатации данного устройства (полученный от многократного использования) доминировали над строгим соблюдением правил техники безопасности при обращении с этим устройством. **НЕПРАВИЛЬНОЕ ИСПОЛЬЗОВАНИЕ** инструмента или несоблюдение правил техники безопасности, указанных в данном руководстве, может привести к тяжелой травме.

Важные правила техники безопасности для работы с аккумуляторным блоком

1. Перед использованием аккумуляторного блока прочитайте все инструкции и предупреждающие надписи на (1) зарядном устройстве, (2) аккумуляторном блоке и (3) инструменте, работающем от аккумуляторного блока.
2. Не разбирайте блок аккумулятора и не меняйте его конструкцию. Это может привести к пожару, перегреву или взрыву.
3. Если время работы аккумуляторного блока значительно сократилось, немедленно прекратите работу. В противном случае, может возникнуть перегрев блока, что приведет к ожогам и даже к взрыву.
4. В случае попадания электролита в глаза промойте их обильным количеством чистой воды и немедленно обратитесь к врачу. Это может привести к потере зрения.
5. Не замыкайте контакты аккумуляторного блока между собой:
 - (1) Не прикасайтесь к контактам какими-либо токопроводящими предметами.
 - (2) Не храните аккумуляторный блок в контейнере вместе с другими металлическими предметами, такими как гвозди, монеты и т. п.
 - (3) Не допускайте попадания на аккумуляторный блок воды или дождя.Замыкание контактов аккумуляторного блока между собой может привести к возникновению большого тока, перегреву, возможным ожогам и даже поломке блока.
6. Не храните и не используйте инструмент и аккумуляторный блок в местах, где температура может достигать или превышать 50 °C (122 °F).
7. Не бросайте аккумуляторный блок в огонь, даже если он сильно поврежден или полностью вышел из строя. Аккумуляторный блок может взорваться под действием огня.
8. Запрещено вбивать гвозди в блок аккумулятора, резать, ломать, бросать, ронять блок аккумулятора или ударять его твердым предметом. Это может привести к пожару, перегреву или взрыву.
9. Не используйте поврежденный аккумуляторный блок.

10. Входящие в комплект литий-ионные аккумуляторы должны эксплуатироваться в соответствии с требованиями законодательства об опасных товарах.
При коммерческой транспортировке, например, третьей стороной или экспедитором, необходимо нанести на упаковку специальные предупреждения и маркировку.
В процессе подготовки устройства к отправке обязательно проконсультируйтесь со специалистом по опасным материалам. Также соблюдайте местные требования и нормы. Они могут быть строже.
Закройте или закрепите разомкнутые контакты и упакуйте аккумулятор так, чтобы он не перемещался по упаковке.
11. Для утилизации блока аккумулятора извлеките его из инструмента и утилизируйте безопасным способом. Выполняйте требования местного законодательства по утилизации аккумуляторного блока.
12. Используйте аккумуляторы только с продукцией, указанной Makita. Установка аккумуляторов на продукцию, не соответствующую требованиям, может привести к пожару, перегреву, взрыву или утечке электролита.
13. Если инструментом не будут пользоваться в течение длительного периода времени, извлеките аккумулятор из инструмента.
14. Во время и после использования блок аккумулятора может нагреваться, что может стать причиной ожогов или низкотемпературных ожогов. Будьте осторожны при обращении с горячим блоком аккумулятора.
15. Не прикасайтесь к контактам инструмента сразу после использования, поскольку они могут быть достаточно горячими, чтобы вызвать ожоги.
16. Не допускайте налипания на контакты, отверстия и пазы блока аккумулятора опилок, пыли или земли. Это может стать причиной перегрева, возгорания, взрыва или неисправности инструмента или блока аккумулятора, что может привести к ожогам или травмам.
17. Если инструмент не рассчитан на использование вблизи высоковольтных линий электропередач, не используйте блок аккумулятора вблизи высоковольтных линий электропередач. Это может привести к неисправности, поломке инструмента или блока аккумулятора.
18. Храните аккумулятор в недоступном для детей месте.

СОХРАНИТЕ ДАННЫЕ ИНСТРУКЦИИ.

⚠ВНИМАНИЕ: Используйте только фирменные аккумуляторные батареи Makita. Использование аккумуляторных батарей, не произведенных Makita, или батарей, которые были подвергнуты модификациям, может привести к взрыву аккумулятора, пожару, травмам и повреждению имущества. Это также автоматически аннулирует гарантию Makita на инструмент и зарядное устройство Makita.

Советы по обеспечению максимального срока службы аккумулятора

1. Заряжайте блок аккумуляторов перед его полной разрядкой. Обязательно прекратите работу с инструментом и зарядите блок аккумуляторов, если вы заметили снижение мощности инструмента.
2. Никогда не подзаряжайте полностью заряженный блок аккумуляторов. Перезарядка сокращает срок службы аккумулятора.
3. Заряжайте блок аккумуляторов при комнатной температуре в 10 - 40 °C (50 - 104 °F). Перед зарядкой горячего блока аккумуляторов дайте ему остыть.
4. Если блок аккумулятора не используется, извлеките его из инструмента или зарядного устройства.
5. Зарядите ионно-литиевый аккумуляторный блок, если вы не будете пользоваться инструментом длительное время (более шести месяцев).

ОПИСАНИЕ РАБОТЫ

⚠ВНИМАНИЕ: Перед регулировкой или проверкой функций инструмента обязательно убедитесь, что он выключен и его аккумуляторный блок снят.

Установка или снятие блока аккумуляторов

⚠ВНИМАНИЕ: Обязательно выключайте инструмент перед установкой и извлечением аккумуляторного блока.

⚠ВНИМАНИЕ: При установке и извлечении аккумуляторного блока крепко удерживайте инструмент и аккумуляторный блок. Если не соблюдать это требование, они могут выскользнуть из рук, что приведет к повреждению инструмента, аккумуляторного блока и травмированию оператора.

Для установки блока аккумулятора совместите выступ блока аккумулятора с пазом в корпусе и задвиньте его на место. Устанавливайте блок до упора, чтобы он зафиксировался с небольшим щелчком. Если вы видите красный индикатор, как показано на рисунке, он не зафиксирован

полностью.

Для снятия аккумуляторного блока нажмите кнопку на лицевой стороне и извлеките блок.

► **Рис.1:** 1. Красный индикатор 2. Кнопка 3. Блок аккумулятора

⚠ВНИМАНИЕ: Обязательно устанавливайте блок аккумулятора до конца, чтобы красный индикатор не был виден. В противном случае блок аккумулятора может выпасть из инструмента и нанести травму вам или другим людям.








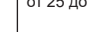

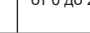

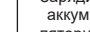

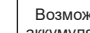



⚠ВНИМАНИЕ: Не прилагайте чрезмерных усилий при установке аккумуляторного блока. Если блок не движется свободно, значит он вставлен неправильно.

Индикация оставшегося заряда аккумулятора

Только для блоков аккумулятора с индикатором

Нажмите кнопку проверки на аккумуляторном блоке для проверки заряда. Индикаторы загорятся на несколько секунд.

► **Рис.2:** 1. Индикаторы 2. Кнопка проверки

Индикаторы			Уровень заряда
			
			от 75 до 100%
			от 50 до 75%
			от 25 до 50%
			от 0 до 25%
			Зарядите аккумуляторную батарею.
			Возможно, аккумуляторная батарея неисправна.
			

ПРИМЕЧАНИЕ: В зависимости от условий эксплуатации и температуры окружающего воздуха индикация может незначительно отличаться от фактического значения.

ПРИМЕЧАНИЕ: Первая (дальняя левая) индикаторная лампа будет мигать во время работы защитной системы аккумулятора.

Система защиты инструмента/аккумулятора

На инструменте предусмотрена система защиты инструмента/аккумулятора. Она автоматически отключает питание для продления срока службы инструмента и аккумулятора. Инструмент

автоматически отключится в указанных далее случаях, влияющих на работу самого инструмента или аккумулятора.

Защита от перегрузки

Эта защита срабатывает в случае слишком высокого потребления тока инструментом в текущем режиме эксплуатации. В этом случае выключите инструмент и прекратите работу, из-за которой произошла перегрузка инструмента. Затем включите инструмент для перезапуска.

Защита от перегрева

Эта защита срабатывает в случае перегрева инструмента или аккумулятора. В этом случае дайте инструменту и аккумулятору остыть перед повторным включением.

Защита от переразрядки

Эта защита срабатывает, когда уровень заряда аккумулятора становится низким. В этой ситуации извлеките аккумулятор из инструмента и зарядите его.

Действие выключателя

► Рис.3: 1. Триггерный переключатель

ВНИМАНИЕ: Перед установкой аккумуляторного блока в инструмент обязательно убедитесь, что его триггерный переключатель нормально работает и возвращается в положение "OFF" (ВЫКЛ) при отпуске.

Для запуска инструмента просто нажмите на триггерный переключатель. Для увеличения числа оборотов нажмите триггерный переключатель сильнее. Отпустите триггерный переключатель для остановки.

ПРИМЕЧАНИЕ: Инструмент автоматически остановится, если удерживать триггерный переключатель нажатым примерно 6 минут.

Включение передней лампы

► Рис.4: 1. Лампа

ВНИМАНИЕ: Не смотрите непосредственно на свет или источник света.

Лампа продолжает гореть, пока нажат триггерный переключатель. Лампа будет светиться до тех пор, пока нажат триггерный переключатель. Лампа гаснет примерно через 10 секунд после отпущения триггерного переключателя.

ПРИМЕЧАНИЕ: При перегреве инструмент автоматически останавливается, лампа начинает мигать. В этом случае отпустите триггерный переключатель. Лампа погаснет через одну минуту.

ПРИМЕЧАНИЕ: Для удаления пыли с линзы лампы используйте сухую ткань. Не допускайте возникновения царапин на линзе лампы, так как это приведет к снижению освещенности.

Действие реверсивного переключателя

► Рис.5: 1. Рычаг реверсивного переключателя

ВНИМАНИЕ: Перед работой всегда проверяйте направление вращения.

ВНИМАНИЕ: Используйте реверсивный переключатель только после полной остановки инструмента. Изменение направления вращения до полной остановки инструмента может привести к его повреждению.

ВНИМАНИЕ: Если инструмент не используется, обязательно переведите рычаг реверсивного переключателя в нейтральное положение.

Этот инструмент оборудован реверсивным переключателем для изменения направления вращения. Нажмите на рычаг реверсивного переключателя со стороны А для вращения по часовой стрелке или со стороны В для вращения против часовой стрелки. Когда рычаг реверсивного переключателя находится в нейтральном положении, триггерный переключатель нажать нельзя.

Изменение скорости

► Рис.6: 1. Рычаг изменения скорости

ВНИМАНИЕ: Всегда устанавливайте рычаг изменения скорости в правильное положение до конца. Если Вы работаете с инструментом, а рычаг изменения скорости находится посередине между обозначениями "1" и "2", это может привести к повреждению инструмента.

ВНИМАНИЕ: Не используйте рычаг переключения скорости при работающем инструменте. Это может привести к повреждению инструмента.

Отображаемая цифра	Скорость	Крутящий момент	Допустимые работы
1	Низкая	Высокая	Работа с высокой нагрузкой
2	Высокая	Низкая	Работа с малой нагрузкой

Для изменения скорости работы сначала выключите инструмент. Переведите рычаг изменения скорости в положение "2" для высоких оборотов или положение "1" для низких оборотов с высоким крутящим моментом. Перед началом работ убедитесь, что рычаг переключения скорости находится в правильном положении.

Если скорость работы инструмента значительно снизилась во время использования в режиме "2", переведите рычаг в положение "1" и продолжите работу.

Регулировка крутящего момента затяжки

- **Рис.7:** 1. Регулировочное кольцо 2. Градуировка
3. Стрелка

Крутящий момент затяжки настраивается поворотом регулировочного кольца (предусмотрено 22 положения). Совместите градуировку со стрелкой на корпусе инструмента. Минимальному крутящему моменту затяжки соответствует положение 1, а максимальному – отметка 22.

Муфта будет проскальзывать при различных уровнях крутящего момента, установленного на значение от 1 до 21. Муфта не работает при выборе отметки 22.

Перед выполнением работы закрутите пробный болт в ваш материал или деталь из такого материала для определения необходимого крутящего момента для данного конкретного применения.

Ниже приводятся ориентировочные данные о зависимости между размером шурупа и градуировкой.

Градуировка		1	2	3	4	5	6	7	8	9	10	11	12	13	14	15	16	17	18	19	20	21
Мелкий крепежный винт		M4				M5								M6								
Шуруп	Мягкое дерево (например, сосна)	–				φ3,5 x 22				φ4,1 x 38				–								
	Твердое дерево (например, диптерокарп)	–				φ3,5 x 22				φ4,1 x 38				–								

СБОРКА

ВНИМАНИЕ: Перед проведением каких-либо работ с инструментом обязательно убедитесь, что инструмент отключен, а блок аккумулятора снят.

Установка или снятие насадки для отвертки или головки сверла

- **Рис.8:** 1. Муфта 2. Закрыть 3. Открыть

Поверните муфту против часовой стрелки для открытия кулачков зажимного патрона. Вставьте насадку для отвертки или головку сверла в зажимной патрон как можно глубже. Поверните муфту по часовой стрелке для затяжки патрона. Для снятия насадки/головки поверните муфту против часовой стрелки.

Установка крючка

ОСТОРОЖНО: Используйте подвесные/монтажные элементы только по назначению, то есть для подвешивания инструмента на пояс для инструментов в перерывах между работами.

ОСТОРОЖНО: Следите за тем, чтобы не перегружать крючок; чрезмерное усилие или перегрузка могут повредить инструмент и привести к травме.

ВНИМАНИЕ: При установке крючка надежно фиксируйте его винтом. В противном случае крючок может отсоединиться от инструмента, что может привести к травме.

ВНИМАНИЕ: Прежде чем выпустить инструмент из рук, убедитесь в надежности подвеса. Недостаточно надежный подвес или подвешивание в неустойчивом положении могут привести к падению инструмента и травмам.

- **Рис.9:** 1. Паз 2. Крючок 3. Винт

Крючок удобен для временного подвешивания инструмента. Он может быть установлен с любой стороны инструмента. Для установки крючка вставьте его в паз в корпусе инструмента с одной из сторон и закрепите при помощи винта. Чтобы снять крючок, необходимо сначала отвернуть винт.

Использование отверстия

ОСТОРОЖНО: Используйте отверстие для подвешивания исключительно по назначению, в т. ч. не крепите инструмент на большой высоте. При сильной несущей нагрузке на отверстие оно может повредиться, что может стать причиной травматизма окружающих.

- **Рис.10:** 1. Отверстие для подвешивания

Используйте отверстие для подвешивания в нижней задней части инструмента, чтобы вешать инструмент на стену с помощью шнура для подвешивания или аналогичных шнуров.

Порядок установки держателя насадок для отвертки

Дополнительные принадлежности

- Рис.11: 1. Держатель насадок для отвертки
2. Насадка для отвертки

Установите держатель насадок в выступ на основании инструмента с правой или левой стороны и закрепите его при помощи винта.

Если насадки для отвертки не используются, храните их в специальных держателях. Здесь могут храниться насадки длиной до 45 мм.

Установка боковой ручки (вспомогательной рукоятки)

Дополнительные принадлежности

- Рис.12: 1. Выступ 2. Направляющая насадка 3. Выемка 4. Ручка

Вставьте боковую ручку таким образом, чтобы выступы на направляющей насадке вошли в выемки на инструменте. После этого затяните ручку, вращая ее по часовой стрелке.

В зависимости от выполняемых работ боковую ручку можно устанавливать с левой или с правой стороны.

ЭКСПЛУАТАЦИЯ

⚠ВНИМАНИЕ: Всегда устанавливайте блок аккумулятора до упора так, чтобы он зафиксировался на месте. Если вы можете видеть красный индикатор на верхней части клавиши, блок аккумулятора не полностью установлен на месте. Установите его до конца так, чтобы красный индикатор был не виден. В противном случае блок может выпасть из инструмента и нанести травму вам или другим людям.

⚠ВНИМАНИЕ: В случае значительного снижения оборотов уменьшите нагрузку или остановите инструмент во избежание его повреждения.

Для управления выдалбливающим действием инструмента крепко держите его одной рукой за ручку, а другой - за нижнюю часть блока аккумуляторной батареи.

- Рис.13

Работа в режиме шуруповерта

⚠ВНИМАНИЕ: Установите регулировочное кольцо на соответствующий уровень крутящего момента для вашей работы.


⚠ВНИМАНИЕ: Следите за тем, чтобы насадка для отвертки вставлялась прямо в головку винта, иначе можно повредить винт и/или насадку.

Установите конец насадки в головку шурупа и придавите инструмент к шурупу. Включите инструмент

на медленной скорости и затем постепенно увеличивайте ее. Отпустите триггерный переключатель, как только сработает сцепление.

ПРИМЕЧАНИЕ: При закручивании шурупов в дерево предварительно просверлите направляющее отверстие, диаметр которого равен 2/3 диаметра шурупа. Это облегчит закручивание шурупа и предотвратит возникновение трещин в детали.

Сверление

Сначала поверните регулировочное кольцо, чтобы совместить указатель со стрелкой . Затем действуйте следующим образом.

Сверление дерева

При сверлении дерева наилучшие результаты достигаются с применением сверл для дерева с направляющим винтом. Направляющий винт упрощает сверление, удерживая головку сверла в обрабатываемой детали.

Сверление металла

Для предотвращения скольжения сверла при начале сверления сделайте углубление с помощью кернера и молотка в точке сверления. Вставьте острие головки сверла в углубление и начните сверление. При сверлении металлов пользуйтесь смазочно-охлаждающей жидкостью. Исключение составляют некоторые изделия из железа и латуни, которые следует сверлить насухо.

⚠ВНИМАНИЕ: Чрезмерное нажатие на инструмент не ускорит сверление. На самом деле, чрезмерное давление только повредит наконечник головки сверла, снизит производительность инструмента и сократит срок его службы.

⚠ВНИМАНИЕ: Крепко удерживайте инструмент и будьте осторожны, когда головка сверла начинает проходить сквозь обрабатываемую деталь. В момент выхода головки сверла из детали возникает огромное усилие на инструмент/сверло.

⚠ВНИМАНИЕ: Заклинившая головка сверла может быть без проблем извлечена из обрабатываемой детали путем изменения направления вращения при помощи реверсивного переключателя. Однако если вы не будете крепко держать инструмент, он может резко сдвинуться назад.

⚠ВНИМАНИЕ: Всегда закрепляйте обрабатываемые детали в тисках или аналогичном зажимном устройстве.

⚠ВНИМАНИЕ: Если инструмент эксплуатировался непрерывно до разряда блока аккумулятора, сделайте перерыв на 15 минут перед началом работы с заряженным аккумулятором.

ОБСЛУЖИВАНИЕ

⚠ ВНИМАНИЕ: Перед проведением проверки или работ по техобслуживанию всегда проверяйте, что инструмент выключен, а блок аккумуляторов снят.

ПРИМЕЧАНИЕ: Запрещается использовать бензин, растворители, спирт и другие подобные жидкости. Это может привести к обесцвечиванию, деформации и трещинам.

Для обеспечения БЕЗОПАСНОСТИ и НАДЕЖНОСТИ оборудования ремонт, любое другое техобслуживание или регулировку необходимо производить в уполномоченных сервис-центрах Makita или сервис-центрах предприятия с использованием только сменных частей производства Makita.

ДОПОЛНИТЕЛЬНЫЕ ПРИНАДЛЕЖНОСТИ

⚠ ВНИМАНИЕ: Данные принадлежности или приспособления рекомендуются для использования с инструментом Makita, указанным в настоящем руководстве. Использование других принадлежностей или приспособлений может привести к получению травмы. Используйте принадлежность или приспособление только по указанному назначению.

Если вам необходимо содействие в получении дополнительной информации по этим принадлежностям, свяжитесь с вашим сервис-центром Makita.

- Головки сверл
- Насадки для отвертки
- Держатель насадок для отвертки
- Крючок
- Боковая ручка
- Оригинальный аккумулятор и зарядное устройство Makita

ПРИМЕЧАНИЕ: Некоторые элементы списка могут входить в комплект инструмента в качестве стандартных приспособлений. Они могут отличаться в зависимости от страны.

Makita Europe N.V.

Jan-Baptist Vinkstraat 2, 3070 Kortenberg, Belgium

Makita Corporation

3-11-8, Sumiyoshi-cho, Anjo, Aichi 446-8502 Japan

www.makita.com



885510F981
EN, SV, NO, FI, DA,
LV, LT, ET, RU
20241210