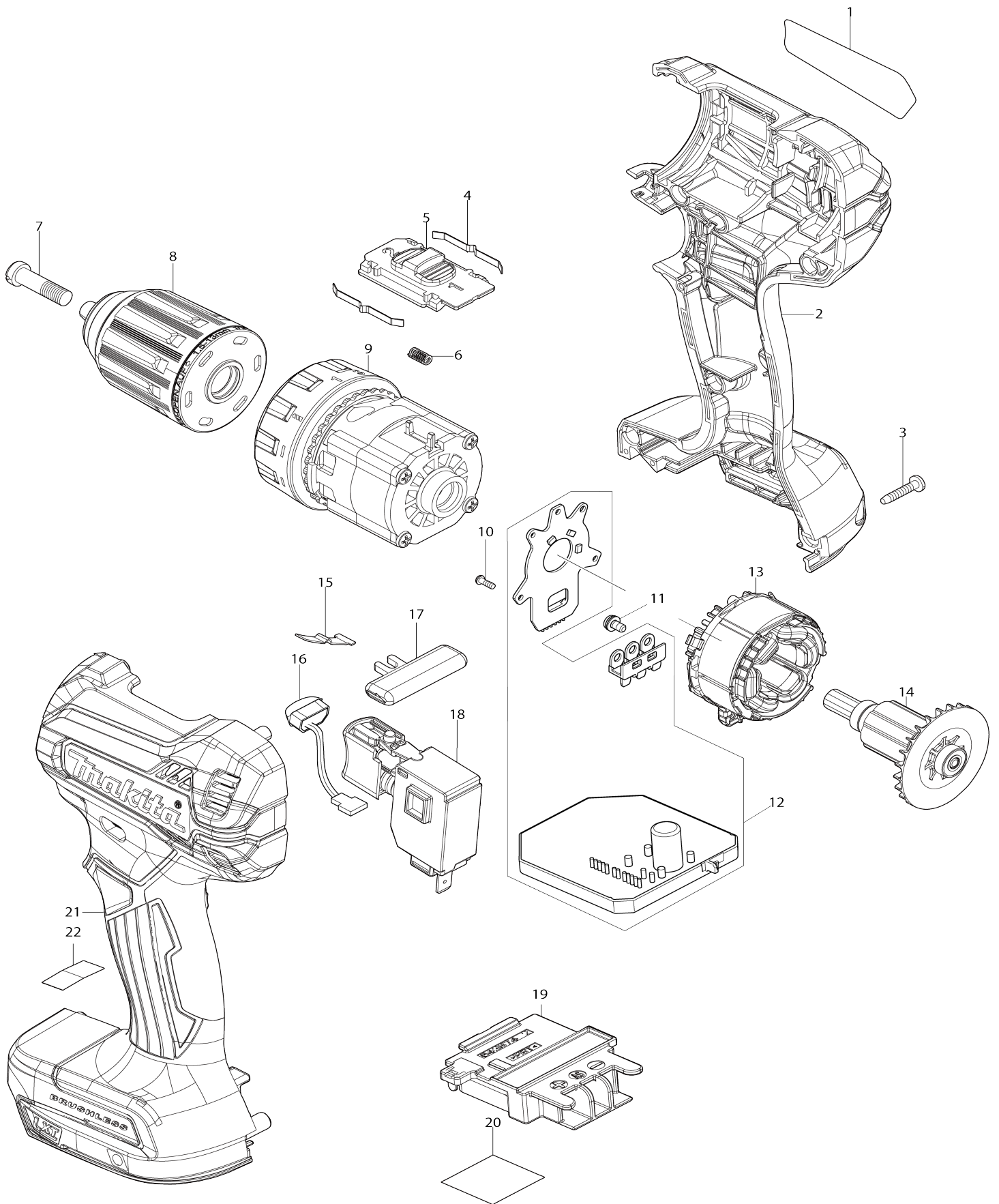


# Model No.DDF485 CORDLESS DRIVER DRILL



Model No.DDF485 CORDLESS DRIVER DRILL

Item No.	Parts No.	Description	Interchangeability	Q'ty	New/Old	Note1	Note2
001	854U26-8	DDF485 NAME PLATE		1			
002	183K32-9	HOUSING SET		1	*		
C10	263005-3	RUBBER PIN 6		2	*		
C20	252126-6	HEX. LOCK NUT M4-7		2	*		
D10		INC. 21					
002-1	183K32-9	HOUSING SET	O	1			
C10	263005-3	RUBBER PIN 6		2			
D10		INC. 21					
003	266429-2	TAPPING SCREW 3X16		8	*		
003-1	266130-9	TAPPING SCREW BIND PT 3X16	O	8			
004	232220-0	LEAF SPRING		2			
005	458671-1	SPEED CHANGE LEVER		1			
006	233438-6	COMPRESSION SPRING 4		1			
007	251468-5	- FLAT HEAD SCREW M6X22		1			
008	766027-7	KEYLESS DRILL CHUCK 13		1			
009	126962-5	GEAR ASSEMBLY		1	*		
009-1	127324-0	GEAR ASSEMBLY	<	1			
010	266490-9	TAPPING SCREW PT 2X6		3	*		
010-1	265C47-1	TAPPING SCREW PT 2X6	O	3			
011	652069-6	FLAT HEAD SCREW M3X6		3			
012	620964-8	CONTROLLER		1	*		
012-1	620964-8	CONTROLLER	O	1	*		
012-2	620964-8	CONTROLLER	O	1			
013	629372-0	STATOR		1			
014	619533-0	ROTOR		1			
015	232182-2	LEAF SPRING		1			
016	620549-0	LED CIRCUIT		1			
017	419041-9	F/R CHANGE LEVER		1			
018	650710-5	SWITCH C3JW-4B		1	*		
018-1	650006-4	SWITCH TGRK2-1	O	1			
019	643874-2	TERMINAL		1			
020	854U32-3	DDF485 SERIAL NO. LABEL		1			
021	183K32-9	HOUSING SET		1	*		
C10	263005-3	RUBBER PIN 6		2	*		
C20	252126-6	HEX. LOCK NUT M4-7		2	*		
D10		INC. 2					
021-1	183K32-9	HOUSING SET	O	1			
C10	263005-3	RUBBER PIN 6		2			
D10		INC. 2					
A01	251314-2	+ SCREW M4X12		1			
A02	346317-0	HOOK		1			
A03	784637-8	+ - BIT 2-45		1			
A04	821550-0	CONNECTOR PLASTIC CASE (TYPE2)		1			
C10	453974-8	LATCH		4			
A05	450128-8	BATTERY COVER		1			
A06	***DC18RC	DC18RC FAST CHARGER		1			
D10		COMPO-PARTS					

A07	197600-6	BATTERY BL1830B SET		2	*		
A07-1	197600-6	BATTERY BL1830B SET	O	2			
A08	837916-4	INNER TRAY		1			
A09	818D59-5	DDF485RFJ INDICATION LABEL		1	*		
A09-1	818D91-9	DDF485RFJ INDICATION LABEL	O	1			
A10	818D60-0	DDF485RFJ PLASTIC CASE LABEL		2	*		
A10-1	818D92-7	DDF485RFJ PLASTIC CASE LABEL	O	2			
A07	197280-8	BATTERY BL1850B SET		2	*		
A07-1	197280-8	BATTERY BL1850B SET	O	2			
A09	818D61-8	DDF485RTJ INDICATION LABEL		1	*		
A09-1	818D93-5	DDF485RTJ INDICATION LABEL	O	1			
A10	818D62-6	DDF485RTJ PLASTIC CASE LABEL		2	*		
A10-1	818D94-3	DDF485RTJ PLASTIC CASE LABEL	O	2			
A04	821750-2	PLASTIC CASE		1			
C10	458362-4	LATCH		3			
A10	8005C2-5	DDF485RT PLASTIC CASE LABEL		2			
002	183P47-6	HOUSING SET		1	*		
002-1	183P47-6	HOUSING SET	O	1			
021	183P47-6	HOUSING SET		1	*		
021-1	183P47-6	HOUSING SET	O	1			
A07-1	197422-4	BATTERY BL1860B SET		2			
A09-1	8031S8-0	DDF485RGJ INDICATION LABEL		1			
A10-1	8031S9-8	DDF485RGJ PLASTIC CASE LABEL		2			

Please state Parts No. when your order.

Print Date 10/19/2023