

Data Sheet

Thermostatic Sensor Type RA2000, 013G2974

Application



The RA sensor is a self-actuating proportional controller with a small P-band.

- built-in sensor with frost protection
- temperature range 14 - 23°C

The temperature scales of the RA-sensor is stated according to Russian norms for multiflats dwelling buildings.

The thermostatic sensor can be combined with all RA 2000 valve bodies.

The RA sensor range includes:

A union nut establishes a simple but strong connection between sensor and valve body.

Ordering and specification

Type	Code no.	Model	Temp. range ¹⁾	Turn down the air temperature in the room °C
RA2000	013G2974	max/min limitation, built-in sensor	14 - 23°C	15-24°C

¹⁾ Temperatures stated for $X_p = 2K$, i.e. the valve is closed at 2 °C higher room temperature. It means that the air temperature in the room is 15 - 24°C

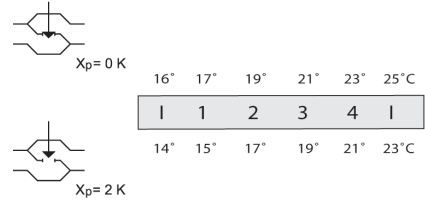
Setting the temperature

The required room temperature is set by turning the setting dial. The temperature scales show the correlation between scale values and the room temperature. The temperature values stated are for guidance only as the obtained room temperature will often be influenced by installation conditions.

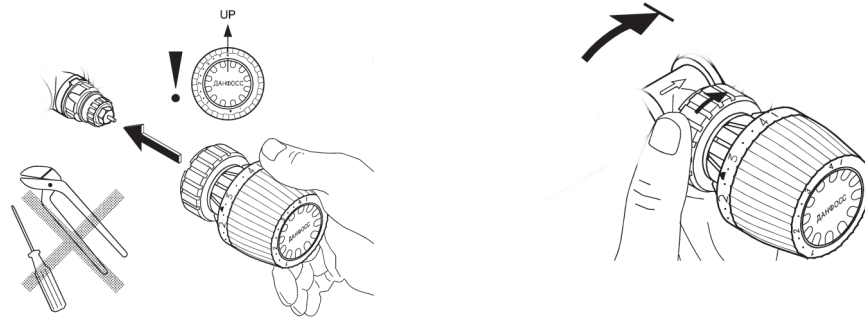
The temperature scales are stated according to European standards at $X_p = 2^\circ\text{C}$. This means that the radiator thermostats close at a sensor temperature which is 2°C higher than stated on the temperature scales.



013G2974

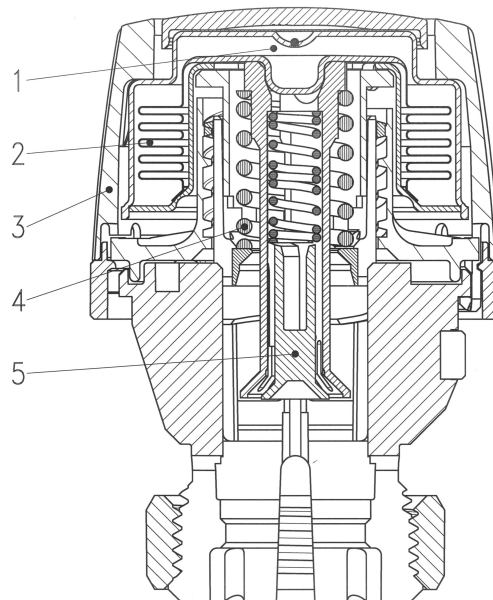


Mounting

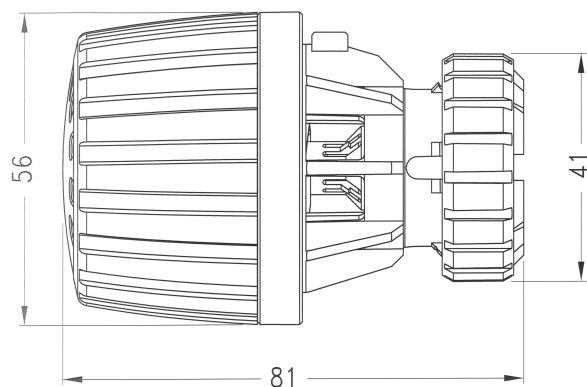


Sensor operation principle

- 1. Actuator
- 2. Bellows
- 3. Setting dial
- 4. Setting spring
- 5. Spindle



Dimensions



Danfoss A/S
Heating Solutions
Haarupvaenget 11
8600 Silkeborg
Denmark
Phone: +45 7488 8000
Fax: +45 7488 8100
Email: heating.solutions@danfoss.com
www.heating.danfoss.com