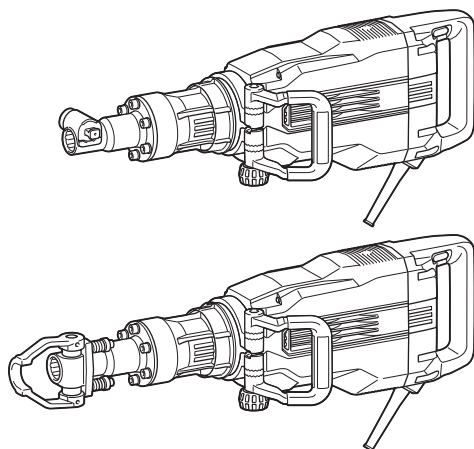




EN	Electric Breaker	INSTRUCTION MANUAL	4
SV	Elektrisk mejselhammare	BRUKSANVISNING	8
NO	Elektrisk meisel	BRUKSANVISNING	12
FI	Sähkömurtovasara	KÄYTTÖOHJE	17
DA	Elektrisk afbryder	BRUGSANVISNING	22
LV	Elektriskais veseris	LIETOŠANAS INSTRUKCIJA	27
LT	Atskėlimo plaktukas	NAUDOJIMO INSTRUKCIJA	32
ET	Elektriline lammutaja	KASUTUSJUHEND	37
RU	Электрический Отбойный Молоток	РУКОВОДСТВО ПО ЭКСПЛУАТАЦИИ	42

HM1511
HM1501
HM1512
HM1502



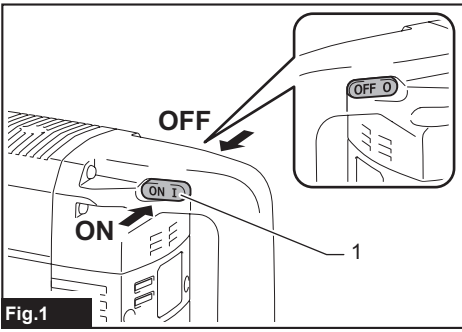


Fig.1

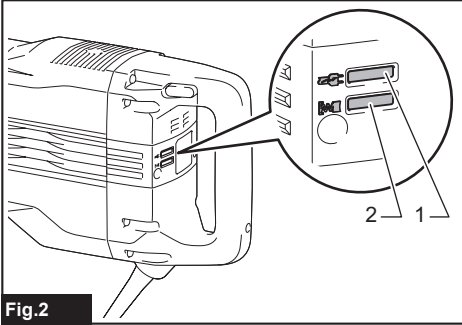


Fig.2

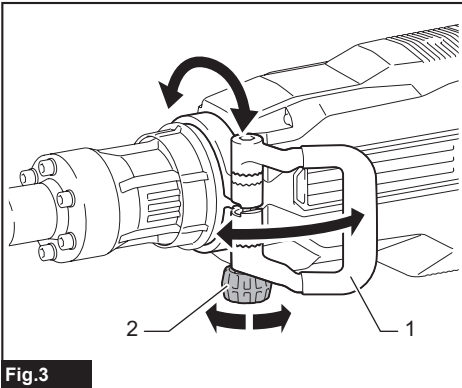


Fig.3

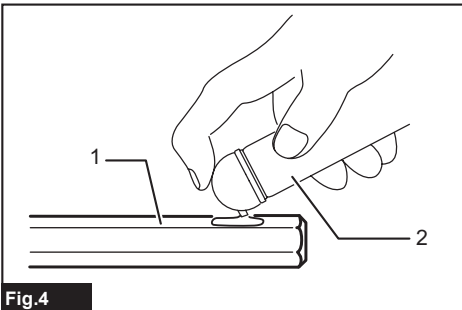


Fig.4

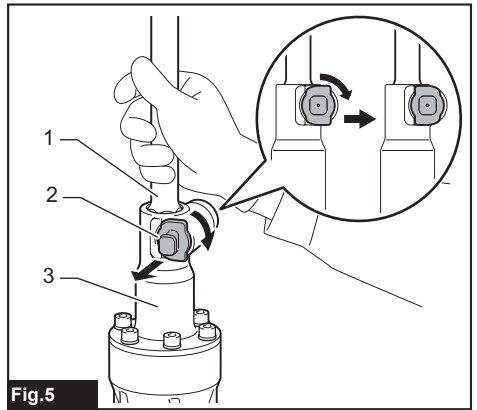


Fig.5

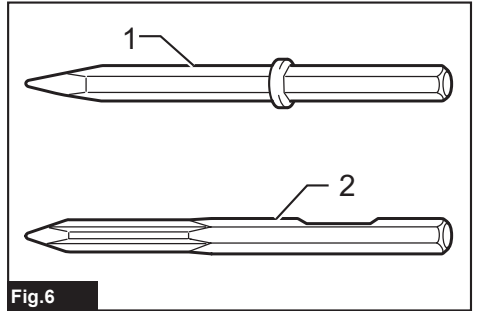


Fig.6

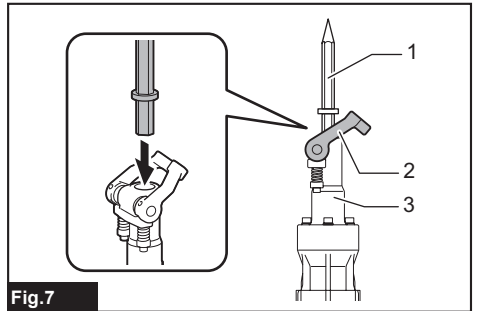


Fig.7

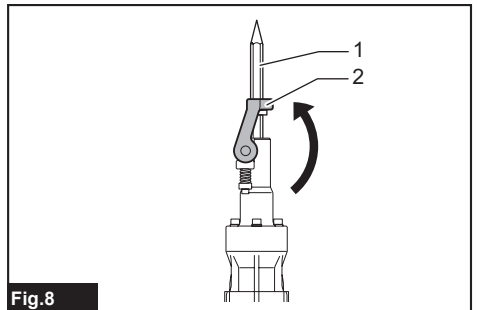


Fig.8

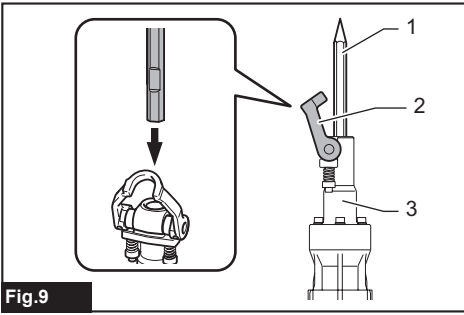


Fig.9

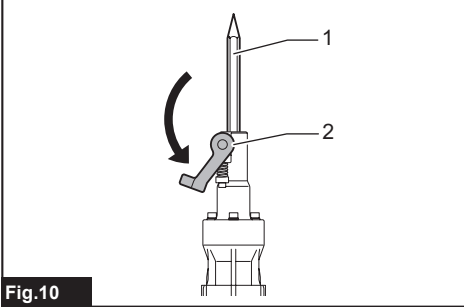


Fig.10

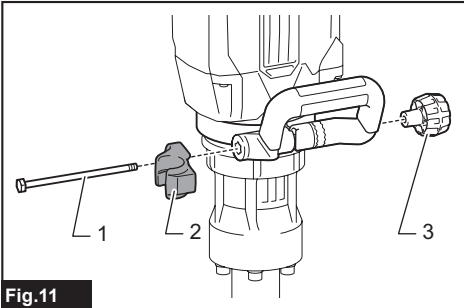


Fig.11

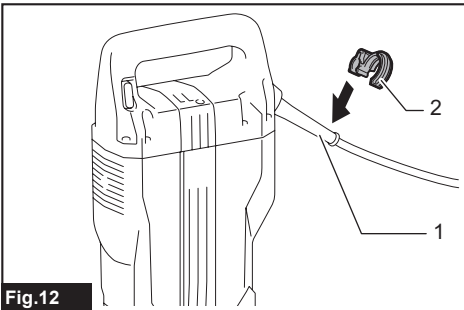


Fig.12

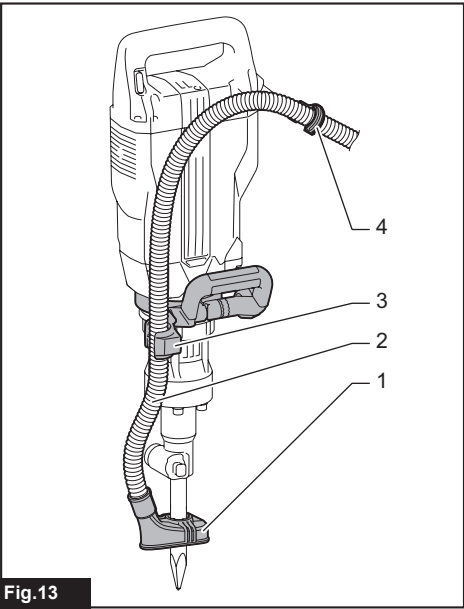


Fig.13

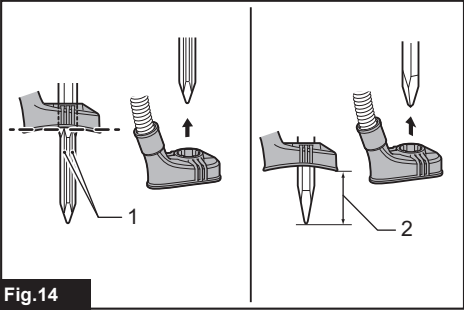


Fig.14

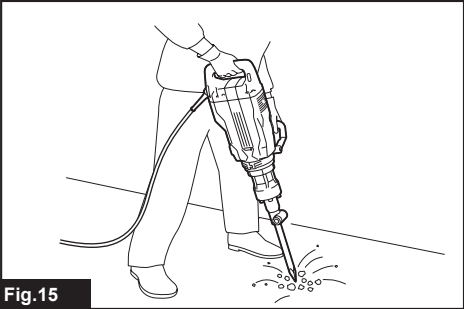


Fig.15

SPECIFICATIONS

Model:	HM1511	HM1501	HM1512	HM1502
Blows per minute	1,300 min ⁻¹			
Overall length	781 mm		809 mm	
Net weight	19.2 kg	18.4 kg	20.4 kg	19.7 kg
Safety class	□/II			
Soft no-load rotation function	✓	-	✓	-

- Due to our continuing program of research and development, the specifications herein are subject to change without notice.
- Specifications may differ from country to country.
- The weight may differ depending on the attachment(s). The lightest and heaviest combination, according to EPTA-Procedure 01/2014, are shown in the table.

Intended use

The tool is intended for chiselling work in concrete, brick, stone and asphalt as well as for driving and compacting with appropriate accessories.

Power supply

The tool should be connected only to a power supply of the same voltage as indicated on the nameplate, and can only be operated on single-phase AC supply. They are double-insulated and can, therefore, also be used from sockets without earth wire.

Noise

The typical A-weighted noise level determined according to EN60745-2-6:

Model HM1511

Sound pressure level (L_{pA}) : 85 dB(A)

Sound power level (L_{WA}) : 105 dB (A)

Uncertainty (K) : 1.57 dB(A)

Model HM1501

Sound pressure level (L_{pA}) : 84 dB(A)

Sound power level (L_{WA}) : 104 dB (A)

Uncertainty (K) : 2.02 dB(A)

Model HM1512

Sound pressure level (L_{pA}) : 84 dB(A)

Sound power level (L_{WA}) : 104 dB (A)

Uncertainty (K) : 1.76 dB(A)

Model HM1502

Sound pressure level (L_{pA}) : 85 dB(A)

Sound power level (L_{WA}) : 105 dB (A)

Uncertainty (K) : 1.79 dB(A)

NOTE: The declared noise emission value(s) has been measured in accordance with a standard test method and may be used for comparing one tool with another.

NOTE: The declared noise emission value(s) may also be used in a preliminary assessment of exposure.

⚠ WARNING: Wear ear protection.

⚠ WARNING: The noise emission during actual use of the power tool can differ from the declared value(s) depending on the ways in which the tool is used especially what kind of workpiece is processed.

⚠ WARNING: Be sure to identify safety measures to protect the operator that are based on an estimation of exposure in the actual conditions of use (taking account of all parts of the operating cycle such as the times when the tool is switched off and when it is running idle in addition to the trigger time).

Vibration

The vibration total value (tri-axial vector sum) determined according to EN60745-2-6:

Model HM1511

Work mode: chiselling

Vibration emission ($a_{h, Chis}$): 6.5 m/s²

Uncertainty (K) : 1.5 m/s²

Model HM1501

Work mode: chiselling

Vibration emission ($a_{h, ID}$): 14.5 m/s²

Uncertainty (K) : 1.5 m/s²

Model HM1512

Work mode: chiselling

Vibration emission ($a_{h, ID}$): 6.5 m/s²

Uncertainty (K) : 1.5 m/s²

Model HM1502

Work mode: chiselling

Vibration emission ($a_{h, ID}$): 14.5 m/s²

Uncertainty (K) : 1.5 m/s²

NOTE: The declared vibration total value(s) has been measured in accordance with a standard test method and may be used for comparing one tool with another.

NOTE: The declared vibration total value(s) may also be used in a preliminary assessment of exposure.

⚠ WARNING: The vibration emission during actual use of the power tool can differ from the declared value(s) depending on the ways in which the tool is used especially what kind of workpiece is processed.

⚠ WARNING: Be sure to identify safety measures to protect the operator that are based on an estimation of exposure in the actual conditions of use (taking account of all parts of the operating cycle such as the times when the tool is switched off and when it is running idle in addition to the trigger time).

EC Declaration of Conformity

For European countries only

The EC declaration of conformity is included as Annex A to this instruction manual.

SAFETY WARNINGS

General power tool safety warnings

⚠ WARNING: Read all safety warnings, instructions, illustrations and specifications provided with this power tool. Failure to follow all instructions listed below may result in electric shock, fire and/or serious injury.

Save all warnings and instructions for future reference.

The term "power tool" in the warnings refers to your mains-operated (corded) power tool or battery-operated (cordless) power tool.

Electric Breaker safety warnings

1. **Wear ear protectors.** Exposure to noise can cause hearing loss.
2. **Use auxiliary handle(s), if supplied with the tool.** Loss of control can cause personal injury.
3. **Hold power tool by insulated gripping surfaces, when performing an operation where the cutting accessory may contact hidden wiring or its own cord.** Cutting accessory contacting a "live" wire may make exposed metal parts of the power tool "live" and could give the operator an electric shock.
4. **Wear a hard hat (safety helmet), safety glasses and/or face shield.** Ordinary eye or sun glasses are NOT safety glasses. It is also highly recommended that you wear a dust mask and thickly padded gloves.
5. **Be sure the bit is secured in place before operation.**
6. **Under normal operation, the tool is designed to produce vibration. The screws can come loose easily, causing a breakdown or accident. Check tightness of screws carefully before operation.**
7. **In cold weather or when the tool has not been used for a long time, let the tool warm up for a while by operating it under no load. This will loosen up the lubrication. Without proper warm-up, hammering operation is difficult.**

8. **Always be sure you have a firm footing. Be sure no one is below when using the tool in high locations.**
9. **Hold the tool firmly with both hands.**
10. **Keep hands away from moving parts.**
11. **Do not leave the tool running. Operate the tool only when hand-held.**
12. **Do not point the tool at any one in the area when operating. The bit could fly out and injure someone seriously.**
13. **Do not touch the bit, parts close to the bit, or workpiece immediately after operation; they may be extremely hot and could burn your skin.**
14. **Some material contains chemicals which may be toxic. Take caution to prevent dust inhalation and skin contact. Follow material supplier safety data.**
15. **Do not touch the power plug with wet hands.**
16. **Before operation, make sure that there is no buried object such as electric pipe, water pipe or gas pipe in the working area. Otherwise, the bit may touch them, resulting an electric shock, electrical leakage or gas leak.**
17. **Do not operate the tool at no-load unnecessarily.**

SAVE THESE INSTRUCTIONS.

⚠ WARNING: DO NOT let comfort or familiarity with product (gained from repeated use) replace strict adherence to safety rules for the subject product. MISUSE or failure to follow the safety rules stated in this instruction manual may cause serious personal injury.

FUNCTIONAL DESCRIPTION

⚠ CAUTION: Always be sure that the tool is switched off and unplugged before adjusting or checking function on the tool.

Switch action

⚠ CAUTION: Before plugging in the tool, always check to see that the switch lever actuates properly and returns to the "OFF" position.

⚠ CAUTION: Switch can be locked in "ON" position for ease of operator comfort during extended use. Apply caution when locking tool in "ON" position and maintain firm grasp on tool.

To start the tool, push the switch lever "ON (I)" on the left side of the tool. To stop the tool, push the switch lever "OFF (O)" on the right side of the tool.

► Fig.1: 1. Switch lever

Indicator lamp

The power-ON indicator lamp lights up in green when the tool is plugged.

If the indicator lamp does not light up, the mains cord or the controller may be malfunction.

The indicator lamp lights up but the tool does not start even if the tool is switched on, the carbon brushes may be worn out, or the controller, the motor or the switch may be malfunction.

The service indicator lamp flickers up in red when the carbon brushes are nearly worn out to indicate that the tool needs servicing.

After approx. 8 hours of use, the motor will automatically be shut off.

- **Fig.2:** 1. Power-ON indicator lamp (green)
2. Service indicator lamp (red)

Electronic function

The tool is equipped with the electronic functions for easy operation.

- Soft no-load rotation function
(For Model HM1511, HM1512 only)
Blows at no load per minute becomes smaller than those on load in order to reduce vibration under no load, but this does not show trouble.
Once operation starts with a bit against concrete, blows per minute increase.
When temperature is low, the tool may not have this function even with the motor rotating.
- Soft start
The soft-start function minimizes start-up shock, and makes the machine start smoothly.

ASSEMBLY

CAUTION: Always be sure that the tool is switched off and unplugged before carrying out any work on the tool.

Side handle (auxiliary handle)

CAUTION: Always use the side handle to ensure safe operation.

CAUTION: After installing or adjusting the side handle, make sure that the side handle is firmly secured.

The side handle can be swung 360° on the vertical and secured at any desired position.

Loosen the clamp nut to swing the side handle to a desired position, and then tighten the clamp nut securely.

- **Fig.3:** 1. Side handle 2. Clamp nut

Installing or removing the bit

Grease

Clean the shank end of the bit and apply grease before installing the bit.

Coat the shank end of the bit beforehand with a small amount of grease (about 0.5 - 1 g). This chuck lubrication assures smooth action and longer service life.

- **Fig.4:** 1. Shank end 2. Grease

Installing the bit

CAUTION: Always assure that the bit is securely retained by attempting to pull the bit out of the tool holder after completing the above procedure.

For Model HM1511, HM1501 only

With the notched portion on the shank of the bit facing toward the tool retainer, insert the bit into the tool holder as far as it will go. Then pull out and turn the tool retainer 180° to secure the bit.

- **Fig.5:** 1. Bit 2. Tool retainer 3. Tool holder

For Model HM1512, HM1502 only

This tool accepts bits either with or without a collar on its shank.

- **Fig.6:** 1. Bit with collar 2. Bit without collar

To install the bit, follow either procedure (1) or (2) described below.

NOTICE: The bit without a collar cannot be retained by procedure (1).

- (1) **For bits with a collar**
Pivot the tool retainer as shown in the figure.
Insert the bit into the tool holder as far as it will go.

When inserting the bit

- **Fig.7:** 1. Bit 2. Tool retainer 3. Tool holder

To secure the bit, return the tool retainer as shown in the figure.

When the bit is retained

- **Fig.8:** 1. Bit 2. Tool retainer

(2) **For bits without a collar**

Pivot the tool retainer as shown in the figure.
With the notched portion of the bit facing the tool retainer shaft, insert the bit into the tool holder as far as it will go.

When inserting the bit

- **Fig.9:** 1. Bit 2. Tool retainer 3. Tool holder

To secure the bit, pivot the tool retainer as shown in the figure.

When the bit is retained

- **Fig.10:** 1. Bit 2. Tool retainer

Removing the bit

To remove the bit, follow the installation procedure in reverse.

Dust extractor attachment

Optional accessory

The dust extractor attachment is intended for reducing blown-away dust and particles when chiseling in a ceramic material such as concrete.

1. Install the hose holder (A).

Loosen the clamp nut, and then remove the hex bolt. Install the hose holder (A) between the hex bolt and the clamp nut by tightening the clamp nut firmly.

► **Fig.11:** 1. Hex bolt 2. Hose holder (A) 3. Clamp nut

2. Attach the hose holder (C) to the cord guard.

► **Fig.12:** 1. Cord guard 2. Hose holder (C)

3. Attach the dust cover and the hose to the tool, and then fix the hose to the hose holders.

► **Fig.13:** 1. Dust cover 2. Hose 3. Hose holder (A) 4. Hose holder (C)

4. Connect the hose to the hose of the vacuum cleaner with the hose joint.

NOTE: If the hose is not included, attach the dust cover to the cleaner's joint or attach it to Makita's hose $\varnothing 28$.

5. Adjust the distance between the dust cover and the tip of the chisel or bull point.

For the self sharpening bull point, adjust the dust cover not to veil the grooves of the self sharpening bull point.

For the bits other than the self sharpening bull point, the recommended distance is 30 mm to 100 mm.

► **Fig.14:** 1. Groove 2. 30 mm to 100 mm

OPERATION

CAUTION: Always use the side grip (auxiliary handle) and firmly hold the tool by both side grip and switch handle during operations.

CAUTION: Always make sure that the workpiece is secured before operation. Failure to properly secure the workpiece may cause the workpiece to move resulting in injury.

CAUTION: Do not pull the tool out forcibly even the bit gets stuck. Loss of control may cause injury.

CAUTION: Do not leave the tool stabbed in the workpiece. Otherwise the tool may start unintentionally and cause an injury.

Chipping/Scaling/Demolition

Hold the tool firmly with both hands. Turn the tool on and apply slight pressure on the tool so that the tool will not bounce around, uncontrolled. Pressing very hard on the tool will not increase the efficiency.

► **Fig.15**

MAINTENANCE

CAUTION: Always be sure that the tool is switched off and unplugged before attempting to perform inspection or maintenance.

NOTICE: Never use gasoline, benzene, thinner, alcohol or the like. Discoloration, deformation or cracks may result.

To maintain product SAFETY and RELIABILITY, repairs, any other maintenance or adjustment should be performed by Makita Authorized or Factory Service Centers, always using Makita replacement parts.

Lubrication

CAUTION: This servicing should be performed by Makita Authorized Service Centers only.

This tool requires no hourly or daily lubrication because it has a grease-packed lubrication system. It should be relubricated regularly. Send the complete tool to Makita Authorized or Factory Service Center for this lubrication service.

OPTIONAL ACCESSORIES

CAUTION: These accessories or attachments are recommended for use with your Makita tool specified in this manual. The use of any other accessories or attachments might present a risk of injury to persons. Only use accessory or attachment for its stated purpose.

If you need any assistance for more details regarding these accessories, ask your local Makita Service Center.

- Bull point
- Cold chisel
- Scaling chisel
- Clay spade
- Rammer
- Bit grease
- Dust extractor attachment
- Safety goggles
- Hammer carrier

NOTE: Some items in the list may be included in the tool package as standard accessories. They may differ from country to country.

SPECIFIKATIONER

Modell:	HM1511	HM1501	HM1512	HM1502
Slag per minut	1 300 min ⁻¹			
Total längd	781 mm		809 mm	
Nettovikt	19,2 kg	18,4 kg	20,4 kg	19,7 kg
Säkerhetsklass	□/II			
Mjuk rotationsfunktion utan last	✓	-	✓	-

- På grund av vårt pågående program för forskning och utveckling kan dessa specifikationer ändras utan föregående meddelande.
- Specifikationer kan variera mellan olika länder.
- Vikten kan variera beroende på tillbehören. Den lättaste och den tyngsta kombinationen enligt EPTA-procedur 01/2014 visas i tabellen.

Avsedd användning

Verktyget är avsett för bearbetning av betong, tegel, sten och asfalt samt för borring och komprimering med passande tillbehör.

Strömförsörjning

Maskinen får endast anslutas till elnät med samma spänning som anges på typplåten och med enfasig växelström. De är dubbelisolerade och får därför också anslutas i ojordade vägguttag.

Buller

Den normala bullernivån för A-belastning är bestämd enligt EN60745-2-6:

Model HM1511

Ljudtrycksnivå (L_{pA}): 85 dB (A)
Ljudeffektnivå (L_{WA}): 105 dB (A)
Måttolerans (K): 1,57 dB (A)

Model HM1501

Ljudtrycksnivå (L_{pA}): 84 dB (A)
Ljudeffektnivå (L_{WA}): 104 dB (A)
Måttolerans (K): 2,02 dB (A)

Model HM1512

Ljudtrycksnivå (L_{pA}): 84 dB (A)
Ljudeffektnivå (L_{WA}): 104 dB (A)
Måttolerans (K): 1,76 dB (A)

Model HM1502

Ljudtrycksnivå (L_{pA}): 85 dB (A)
Ljudeffektnivå (L_{WA}): 105 dB (A)
Måttolerans (K): 1,79 dB (A)

OBS: Det deklarerade bullervärdet har uppmätts i enlighet med standardtestmetoden och kan användas för jämförandet av en maskin med en annan.

OBS: Det deklarerade bulleremissionsvärdet kan också användas i en preliminär bedömning av exponering för vibration.

⚠ VARNING: Använd hörselskydd.

⚠ VARNING: Bulleremissionen under faktisk användning av maskinen kan skilja sig från det deklarerade värdet, beroende på hur maskinen används och särskilt vilken typ av arbetsstycke som behandlas.

⚠ VARNING: Var noga med att identifiera säkerhetsåtgärder för att skydda användaren, vilka är grundade på en uppskattning av graden av exponering för vibrationer under de faktiska användningsförhållandena, (ta, förutom avtryckartiden, med alla delar av användarcykeln i beräkningen, som till exempel tiden då maskinen är avstängd och när den går på tomgång).

Vibration

Det totala vibrationsvärdet (treaxlad vektorsumma) bestämt enligt EN60745-2-6:

Model HM1511

Arbetsläge: bearbetning
Vibrationsemission ($a_{h,Creq}$): 6,5 m/s²
Måttolerans (K): 1,5 m/s²

Model HM1501

Arbetsläge: bearbetning
Vibrationsemission ($a_{h,ID}$): 14,5 m/s²
Måttolerans (K): 1,5 m/s²

Model HM1512

Arbetsläge: bearbetning
Vibrationsemission ($a_{h,ID}$): 6,5 m/s²
Måttolerans (K): 1,5 m/s²

Model HM1502

Arbetsläge: bearbetning
Vibrationsemission ($a_{h,ID}$): 14,5 m/s²
Måttolerans (K): 1,5 m/s²

OBS: Det deklarerade totala vibrationsvärdet har uppmätts i enlighet med standardtestmetoden och kan användas för jämförandet av en maskin med en annan.

OBS: Det deklarerade totala vibrationsvärdet kan också användas i en preliminär bedömning av exponering för vibration.

⚠ VARNING: Vibrationsemissionen under faktisk användning av maskinen kan skilja sig från det deklarerade värdet, beroende på hur maskinen används och särskilt vilken typ av arbetsstycke som behandlas.

⚠ VARNING: Var noga med att identifiera säkerhetsåtgärder för att skydda användaren, vilka är grundade på en uppskattning av graden av exponering för vibrationer under de faktiska användningsförhållandena, (ta, förutom avtryckartiden, med alla delar av användarcykeln i beräkningen, som till exempel tiden då maskinen är avstängd och när den går på tomgång).

EG-försäkran om överensstämmelse

Gäller endast inom EU

EG-försäkran om överensstämmelse inkluderas som bilaga A till denna bruksanvisning.

SÄKERHETSVARNINGAR

Allmänna säkerhetsvarningar för maskiner

⚠ VARNING: Läs alla säkerhetsvarningar, anvisningar, illustrationer och specifikationer som medföljer det här maskinen. Underlåtenhet att följa instruktionerna kan leda till elstöt, brand och/eller allvarliga personskador.

Spara alla varningar och instruktioner för framtida referens.

Termen "maskin" som anges i varningarna hänvisar till din eldrivna maskin (sladdansluten) eller batteridrivna maskin (sladdlös).

Säkerhetsvarningar för elektrisk mejselhammare

1. **Använd hörselskydd.** Kraftigt buller kan orsaka hörselskador.
2. **Använd extrahandtag om det levereras med maskinen.** Om du förlorar kontrollen över maskinen kan det leda till personskador.
3. **Håll maskinen i de isolerade handtagen om det finns risk för att skärverktyget kan komma i kontakt med en dold elkabel eller sin egen kabel.** Om sticksågmaskinen kommer i kontakt med en strömförande ledning blir verktygets blottlagda metalldelar strömförande och kan ge användaren en elektrisk stöt.
4. **Använd en hård hjälm (skyddshjälm), skyddsglasögon och/eller ansiktsskydd.** Vanliga glasögon och solglasögon är **INTE** skyddsglasögon. Du bör också bära ett dammskydd och tjockt fodrade handskar.
5. **Se till att borret sitter säkert innan maskinen används.**
6. **Under normal användning vibrerar maskinen.** Skruvarna kan lätt lossna, vilket kan orsaka maskinhaveri eller en olycka. Kontrollera att skruvarna är åtdragna innan maskinen används.

7. **I kall väderlek, eller när verktyget inte använts under en längre tid, bör du värma upp verktyget genom att använda det utan belastning.** Detta gör smörjningen mer viskös. Utan uppvärmning blir det svårt att använda hammaren.
8. **Se till att alltid ha ordentligt fotfäste.** Se till att ingen står under dig när maskinen används på hög höjd.
9. **Håll maskinen stadigt med båda händerna.**
10. **Håll händerna borta från rörliga delar.**
11. **Lämna inte maskinen igång.** Använd endast maskinen när du håller den i händerna.
12. **Rikta inte maskinen mot någon när den används.** Borret kan flyga ut och skada någon allvarligt.
13. **Rör inte vid borret, närliggande delar eller arbetsstycket efter användning, då de kan vara extremt varma och orsaka brännskador.**
14. **Vissa material kan innehålla giftiga kemikalier.** Se till att du inte andas in damm eller får det på huden. Följ anvisningarna i leverantörens materialsäkerhetsblad.
15. **Rör inte vid elkontakten med våta händer.**
16. **Se innan användning till att det inte finns några begravnade föremål som elrör, vattenrör eller gasrör inom arbetsområdet.** Annars kan bitset komma åt dessa, vilket kan leda till elstöt, elektriskt läckage eller gasläcka.
17. **Använd inte maskinen obelastad i onödan.**

SPARA DESSA ANVISNINGAR.

⚠ VARNING: GLÖM INTE att också fortsättningsvis strikt följa säkerhetsanvisningarna för maskinen även efter att du blivit van att använda den. Vid **FELAKTIG HANTERING** av maskinen eller om inte säkerhetsanvisningarna i denna bruksanvisning följs kan följden bli allvarliga personskador.

FUNKTIONSBESKRIVNING

⚠ FÖRSIKTIGT: Se alltid till att maskinen är avstängd och nätsladden urdragen innan du justerar eller funktionskontrollerar maskinen.

Avtryckarens funktion

⚠ FÖRSIKTIGT: Innan du ansluter verktyget till elnätet ska du alltid kontrollera att avtryckaren fungerar och återgår till läget "OFF".

⚠ FÖRSIKTIGT: Knappen kan låsas i läge "ON" för att underlätta användning när maskinen används under längre tid. Var försiktig när du låser maskinen i läget "ON", och fortsatt hålla ett stadigt grepp om maskinen.

Tryck in knappen "ON (I)" på maskinens vänstra sida för att starta maskinen. Tryck in knappen "OFF (O)" på maskinens högra sida för att stanna maskinen.

► Fig.1: 1. Avtryckare (reglage)

Indikatorlampa

Indikatorlampan för ström (ON) tänds grönt när verktyget ansluts till elnätet.

Om indikatorlampan inte tänds, kan nätsladden eller avtryckaren vara defekt.

Om indikatorlampan tänds men verktyget inte startar även om det sätts på, kan kolborstarna vara utslitna eller så kan avtryckaren, motorn eller strömbrytarknappen vara defekt.

Indikatorlampan för service blinkar i rött när kolborstarna nästan är utslitna, för att indikera att verktyget behöver servas.

Efter cirka 8 timmars användning kommer motorn automatiskt att slås av.

- **Fig.2:** 1. Indikatorlampa ström PÅ (grön)
2. Indikatorlampa service (röd)

Elektronisk funktion

Maskinen är utrustad med elektroniska funktioner för enkel användning.

- Mjuk rotationsfunktion utan last (Endast modell HM1511, HM1512)
Stötar utan belastning per minut blir mindre än de med belastning för att minska vibrationerna i obelastat läge, men detta skapar inte problem. När arbetet startar med ett bits mot betong ökar antalet stötar per minut.
När temperaturen är låg kan det hända att verktyget inte har denna funktion även när motorn roterar.
- Mjukstart
Mjukstartsfunktionen minimerar ryck vid uppstarten och gör att maskinen får en mjuk start.

MONTERING

⚠ FÖRSIKTIGT: Se alltid till att maskinen är avstängd och nätsladden urdragen innan maskinen repareras.

Sidohandtag (extrahandtag)

⚠ FÖRSIKTIGT: Använd alltid sidohandtaget för att garantera säker drift.

⚠ FÖRSIKTIGT: Efter installation eller justering av sidohandtaget ska du se till att sidohandtaget sitter fast ordentligt.

Sidohandtaget kan roteras 360° vertikalt och fästas i önskat läge.

Lossa spännmuttern för att svänga sidohandtaget till önskat läge och dra åt spännmuttern ordentligt.

- **Fig.3:** 1. Sidohandtag 2. Spännmutter

Montering eller demontering av bitar

Fett

Rengör bitsets skaftände och applicera fett innan det installeras.

Täck bitsets skaftände på förhand med en aning smörjfett (cirka 0,5–1 g). Smörjningen ger smidig funktion och längre livslängd.

- **Fig.4:** 1. Skaftände 2. Fett

Installera bitset

⚠ FÖRSIKTIGT: Försäkra dig alltid om att bitset sitter säkert genom att försöka dra ut det från verktygshållaren efter att du slutfört förfarandet ovan.

Endast för modell HM1511, HM1501

Sätt in bitset i verktygshållaren så långt det går med den skärade delen av bitsskaftet vänt mot verktygsfästet. Dra sedan ut och vrid verktygsfästet 180° för att fästa bitset.

- **Fig.5:** 1. Bits 2. Verktygsfäste 3. Verktygshållare

Endast för modell HM1512, HM1502

Detta verktyg använder både bits med och utan krage på skaftet.

- **Fig.6:** 1. Bit med krage 2. Bit utan krage

För att installera bitset, följer du antingen förfarande (1) eller (2) som beskrivs nedan.

OBSERVERA: Bits utan krage kan inte fästas enligt förfarande (1).

- (1) **För bits med krage**
Vrid verktygsfästet enligt bilden. Sätt in bitset i verktygshållaren så långt det går.

När bitset sätts in

- **Fig.7:** 1. Bits 2. Verktygsfäste 3. Verktygshållare

Fäst bitset genom att vrida tillbaka verktygsfästet enligt bilden.

När bitset säkrats fast

- **Fig.8:** 1. Bits 2. Verktygsfäste

- (2) **För bits utan krage**
Vrid verktygsfästet enligt bilden. Sätt in bitset i verktygshållaren så långt det går med den skärade delen vänd mot verktygsfästets skaft.

När bitset sätts in

- **Fig.9:** 1. Bits 2. Verktygsfäste 3. Verktygshållare

Fäst bitset genom att vrida verktygsfästet enligt bilden.

När bitset säkrats fast

- **Fig.10:** 1. Bits 2. Verktygsfäste

Ta bort bitset

Följ monteringsförfarandet i omvänd ordning för att ta ur fräsverktyget.

Dammutsugningstillsetsats

Extra tillbehör

Dammutsugningstillsetsatsen är avsedd att minska bortblåst damm och partiklar vid mejsling i keramiskt material som betong.

1. Installera slanghållaren (A).

Lossa spännmuttern och ta sedan bort insexbulten. Montera slangfästet (A) mellan insexbulten och muttern genom att dra åt muttern ordentligt.

- **Fig.11:** 1. Insexbult 2. Slanghållare (A)
3. Spännmutter

2. Fäst slanghållaren (C) på kabelskyddet.

- **Fig.12:** 1. Kabelskydd 2. Slanghållare (C)

3. Fäst dammskyddet och slangen till maskinen och fäst sedan slangen i slangfästet.

- **Fig.13:** 1. Dammskydd 2. Slang 3. Slanghållare (A)
4. Slanghållare (C)

4. Anslut slangen till dammsugarslangen med slangkopplingen.

OBS: Om slangen inte ingår, fäst dammskyddet till dammsugarens koppling eller fäst den till Makitas slang ø28.

5. Justera avståndet mellan dammskyddet och spetsen av mejseln eller spetsmejseln.

För den självvässande spetsmejseln ska dammskyddet justeras så det inte täcker den självvässande spetsmejselns spår.

För andra bits än den självvässande spetsmejseln är det rekommenderade avståndet 30 mm till 100 mm.

- **Fig.14:** 1. Spår 2. 30 mm till 100 mm

ANVÄNDNING

⚠FÖRSIKTIGT: Använd alltid sidohandtaget (extrahandtaget) och håll maskinen stadigt med både sidohandtaget och pistolhandtaget när du borrar.

⚠FÖRSIKTIGT: Se alltid till att arbetsstycket sitter ordentligt fast innan användning. Att inte säkra arbetsstycket ordentligt kan leda till att arbetsstycket rör sig och kan orsaka skador.

⚠FÖRSIKTIGT: Dra inte ut maskinen med kraft även om bitset fastnar. Om du förlorar kontrollen över maskinen kan det leda till personskador.

⚠FÖRSIKTIGT: Lämna inte verktyget isatt i arbetsstycket. Verktyget kan starta oavsiktligt och orsaka skada.

Huggmejsling/gradmejsling/demolering

Håll verktyget stadigt med båda händerna. Starta verktyget och håll fast det så att det inte studsar omkring okontrollerat. Det är inte mer effektivt att trycka extremt hårt på verktyget.

- **Fig.15**

UNDERHÅLL

⚠FÖRSIKTIGT: Se alltid till att verktyget är avstängt och nätkabeln urdragen innan inspektion eller underhåll utförs.

OBSERVERA: Använd inte bensin, förtunningsmedel, alkohol eller liknande. Missfärgning, deformation eller sprickor kan uppstå.

För att upprätthålla produktens SÄKERHET och TILLFÖRLITLIGHET bör allt underhålls- och justeringsarbete utföras av ett auktoriserat Makita servicecenter och med reservdelar från Makita.

Smörjning

⚠FÖRSIKTIGT: Denna service skall endast utföras av ett auktoriserat Makita servicecenter.

Denna maskin kräver ingen smörjning varje timme eller dagligen eftersom den har ett smörjsystem. Den ska smörjas regelbundet. Skicka hela maskinen till ett auktoriserat Makita servicecenter för denna smörjning.

VALFRIA TILLBEHÖR

⚠FÖRSIKTIGT: Följande tillbehör eller tillsatser rekommenderas för användning med den Makita-maskin som denna bruksanvisning avser. Om andra tillbehör eller tillsatser används kan det uppstå risk för personskador. Använd endast tillbehören eller tillsatserna för de syften de är avsedda för.

Kontakta ditt lokala Makita servicecenter om du behöver ytterligare information om dessa tillbehör.

- Spetsmejsel
- Kallmejsel
- Gradmejsel
- Lerspade
- Hydraulhammare
- Smörjfett för borr
- Dammutsugningstillsetsats
- Skyddsglasögon
- Hammarhållare

OBS: Några av tillbehören i listan kan vara inkluderade i maskinpaketet som standardtillbehör. De kan variera mellan olika länder.

TEKNISKE DATA

Modell:	HM1511	HM1501	HM1512	HM1502
Slag per minutt	1 300 min ⁻¹			
Total lengde	781 mm		809 mm	
Nettovekt	19,2 kg	18,4 kg	20,4 kg	19,7 kg
Sikkerhetsklasse	II/III			
Funksjon for myk rotasjon uten belastning	✓	-	✓	-

- På grunn av vårt kontinuerlige forsknings- og utviklingsprogram kan spesifikasjonene som oppgis i dette dokumentet endres uten varsel.
- Spesifikasjonene kan variere fra land til land.
- Vekten kan variere avhengig av tilbehøret/tilbehørene. Den letteste og tyngste kombinasjonen, i henhold til EPTA-prosedyre 01/2014, vises i tabellen.

Riktig bruk

Verktøyet er beregnet på meiselarbeid i betong, murstein, stein og asfalt, samt på hamring og komprimering med passende tilbehør.

Strømforsyning

Maskinen må bare kobles til en strømkilde med samme spenning som vist på typeskiltet, og kan bare brukes med enfase-vekselstrømforsyning. Den er dobbelt verneisoleret og kan derfor også brukes fra kontakter uten jording.

Støy

Typisk A-vektet lydtrykknivå er bestemt i henhold til EN60745-2-6:

Modell HM1511

Lydtrykknivå (L_{pA}): 85 dB (A)
Lydeffektnivå (L_{WA}): 105 dB (A)
Usikkerhet (K): 1,57 dB (A)

Modell HM1501

Lydtrykknivå (L_{pA}): 84 dB (A)
Lydeffektnivå (L_{WA}): 104 dB (A)
Usikkerhet (K): 2,02 dB (A)

Modell HM1512

Lydtrykknivå (L_{pA}): 84 dB (A)
Lydeffektnivå (L_{WA}): 104 dB (A)
Usikkerhet (K): 1,76 dB (A)

Modell HM1502

Lydtrykknivå (L_{pA}): 85 dB (A)
Lydeffektnivå (L_{WA}): 105 dB (A)
Usikkerhet (K): 1,79 dB (A)

MERK: Den/de oppgitte verdien(e) for genererte vibrasjoner har blitt målt i henhold til standard testmetoder, og kan bli brukt til å sammenligne ett verktøy med et annet.

MERK: Den/de angitte verdien(e) for de genererte vibrasjonene kan også brukes til en foreløpig vurdering av eksponeringen.

⚠ ADVARSEL: Bruk hørselsvern.

⚠ ADVARSEL: De genererte vibrasjonene ved faktisk bruk av elektroverktøyet kan avvike fra den/de angitte vibrasjonsverdien(e), avhengig av hvordan verktøyet brukes.

⚠ ADVARSEL: Sørg for å identifisere vernetiltak for å beskytte operatøren, som er basert på et estimat av eksponeringen under de faktiske bruksforholdene (idet det tas hensyn til alle deler av driftssyklusen, dvs. hvor lenge verktøyet er slått av, hvor lenge det går på tomgang og hvor lenge startbryteren faktisk holdes trykket).

Vibrasjoner

Den totale vibrasjonsverdien (triaksial vektorsum) bestemt i henhold EN60745-2-6:

Modell HM1511

Arbeidsmodus: meisling
Genererte vibrasjoner ($a_{h,Chaq}$): 6,5 m/s²
Usikkerhet (K): 1,5 m/s²

Modell HM1501

Arbeidsmodus: meisling
Genererte vibrasjoner ($a_{h,ID}$): 14,5 m/s²
Usikkerhet (K): 1,5 m/s²

Modell HM1512

Arbeidsmodus: meisling
Genererte vibrasjoner ($a_{h,ID}$): 6,5 m/s²
Usikkerhet (K): 1,5 m/s²

Modell HM1502

Arbeidsmodus: meisling
Genererte vibrasjoner ($a_{h,ID}$): 14,5 m/s²
Usikkerhet (K): 1,5 m/s²

MERK: Den/de oppgitte verdien(e) for totalt genererte vibrasjoner har blitt målt i henhold til standard testmetoder, og kan bli brukt til å sammenligne ett verktøy med et annet.

MERK: Den/de angitte verdien(e) for totalt genererte vibrasjoner kan også brukes til en foreløpig vurdering av eksponeringen.

⚠ ADVARSEL: De genererte vibrasjonene ved faktisk bruk av elektroverktøyet kan avvike fra den/de angitte vibrasjonsverdien(e), avhengig av hvordan verktøyet brukes og spesielt i forhold til arbeidsstykket som blir behandlet.

⚠ ADVARSEL: Sørg for å identifisere vernetiltak for å beskytte operatøren, som er basert på et estimat av eksponeringen under de faktiske bruksforholdene (idet det tas hensyn til alle deler av driftssyklusen, dvs. hvor lenge verktøyet er slått av, hvor lenge det går på tomgang og hvor lenge startbryteren faktisk holdes trykket).

EFs samsvarserklæring

Gjelder kun for land i Europa

EFs samsvarserklæring er lagt til som vedlegg A i denne bruksanvisningen.

SIKKERHETSADVARSEL

Generelle advarsler angående sikkerhet for elektroverktøy

⚠ ADVARSEL: Les alle sikkerhetsadvarsler, instruksjoner, illustrasjoner og spesifikasjoner som følger med dette elektroverktøyet. Hvis ikke alle instruksjonene nedenfor følges, kan det forekomme elektrisk støt, brann og/eller alvorlig skade.

Oppbevar alle advarsler og instruksjoner for senere bruk.

Uttrykket «elektrisk verktøy» i advarslene refererer både til elektriske verktøy (med ledning) tilkoblet strømnettet, og batteridrevne verktøy (uten ledning).

Sikkerhetsadvarsler for elektrisk meisel

1. **Bruk hørselsvern.** Støy kan føre til nedsatt hørsel.
2. **Bruk hjelpehåndtak, hvis det (de) følger med maskinen.** Hvis maskinen kommer ut av kontroll, kan det resultere i helseskader.
3. **Hold maskinen i det isolerte håndtaket når skjæreverktøyet kan komme i kontakt med skjulte ledninger eller maskinens egen ledning under arbeidet.** Hvis kutteutstyret kommer i kontakt med "strømførende" ledninger, kan ikke-isolerte metalldele i maskinen bli "strømførende" og kunne gi brukeren elektrisk støt.
4. **Bruk hjelm, vernebriller og/eller ansiktsmaske.** Vanlige briller og solbriller er IKKE vernebriller. Det anbefales også på det sterkeste å bruke støvmaske og kraftig polstrede hansker.
5. **Vær sikker på at boret er skikkelig festet før du starter verktøyet.**

6. **Verktøyet er laget slik at det vil vibrere under vanlig bruk.** Skruene kan lett løsne, noe som kan forårsake et verktøysammenbrudd eller en ulykke. Før bruk må du derfor kontrollere grundig at skruene ikke er løse.
7. **I kaldt vær, eller når verktøyet ikke har vært i bruk på lenge, må du varme opp verktøyet ved å la det gå en stund uten belastning.** Dette vil myke opp smøremiddelet. Hvis verktøyet ikke er skikkelig oppvarmet, vil det være vanskelig å bruke hammeren.
8. **Pass på at du har godt fotfeste.** Forviss deg om at ingen står under deg når du jobber høyt over bakken.
9. **Hold maskinen godt fast med begge hender.**
10. **Hold hendene unna bevegelige deler.**
11. **Ikke gå fra verktøyet mens det er i gang.** Verktøyet må bare brukes mens operatøren holder det i hendene.
12. **Ikke rett verktøyet mot personer i nærheten mens det er i bruk.** Boret kan fly ut og skade noen alvorlig.
13. **Ikke berør boret eller meiselen, eller deler i nærheten av boret eller meiselen, eller arbeidsstykket umiddelbart etter at verktøyet har vært i bruk, da disse kan være ekstremt varme og kan gi brannskader.**
14. **Enkelte materialer inneholder kjemikalier som kan være giftige.** Treff tiltak for å hindre hudkontakt og innånding av støv. Følg leverandørens sikkerhetsanvisninger.
15. **Ikke berør nettpluggen med våte hender.**
16. **Før bruk må du kontrollere at ikke gjenstander som elektriske rør, vannrør eller gassrør er gravd ned i arbeidsområdet.** Ellers kan boret komme i kontakt med dem og føre til elektrisk støt, elektrisk lekkasje eller gasslekkasje.
17. **Ikke bruk verktøyet uten belastning hvis det ikke er nødvendig.**

TA VARE PÅ DISSE INSTRUKSENE.

⚠ ADVARSEL: IKKE LA hensynet til hva som er "behagelig" eller det faktum at du kjenner produktet godt (etter mange gangers bruk) gjøre deg mindre oppmerksom på sikkerhetsreglene for bruken av det aktuelle produktet. Ved MISBRUK eller hvis ikke sikkerhetsreglene i denne bruksanvisningen følges, kan det oppstå alvorlig personskade.

FUNKSJONSBEKRIVELSE

⚠FORSIKTIG: Forviss deg alltid om at maskinen er slått av og støpselet trukket ut av kontakten før du justerer eller kontrollerer de mekaniske funksjonene.

Bryterfunksjon

⚠FORSIKTIG: Før du kobler verktøyet til strømmen, må du alltid kontrollere at av/på-bryteren aktiverer verktøyet på riktig måte og går tilbake til «OFF»-stilling.

⚠FORSIKTIG: Bryteren kan sperres i «ON»-stilling for å gjøre det lettere for operatøren ved langvarig bruk. Vær forsiktig når du sperrer verktøyet i «ON»-stilling, og hold det godt fast.

Start verktøyet ved å trykke på bryteren ON (I) på venstre side av verktøyet. Stopp verktøyet ved å trykke på bryteren OFF (O) på høyre side av verktøyet.

► **Fig.1:** 1. Startspak

Indikatorlampe

Indikatorlampen for strøm PÅ lyser grønt når verktøyet kobles til stikkkontakten.

Hvis indikatorlampen ikke slår seg på, kan det være feil på strømledningen eller kontrolløren.

Hvis indikatorlampen slår seg på uten at verktøyet starter, selv om det er slått på, kan kullbørstene være slitte, eller det kan være en defekt i kontrolløren, motoren eller bryteren.

Service lampen flimrer rødt like før kullbørstene er utslitte og viser at verktøyet trenger service.

Etter omtrent 8 timers bruk, slås motoren av automatisk.

► **Fig.2:** 1. Indikatorlampe (grønn) for strøm ON (på)
2. Serviceindikatorlampe (rød)

Elektronisk funksjon

Maskinen er utstyrt med de elektroniske funksjonene for å gjøre den enkel å bruke.

- Funksjon for myk rotasjon uten belastning (Kun for modell HM1511, HM1512)
Antall slag per minutt uten last er lavere enn ved last for å redusere vibrasjon ved ingen last, men dette viser ikke problemet.
Når arbeidet starter med meiselen mot betong, øker antall slag per minutt.
Når temperaturen er lav, kan det hende at verktøyet ikke har denne funksjonen selv om motoren svinger.
- Myk start
Myk start-funksjonen reduserer oppstartssjokket til et minimum, og gjør at maskinen starter mykt.

MONTERING

⚠FORSIKTIG: Forviss deg alltid om at maskinen er slått av og støpselet trukket ut av kontakten før du utfører noe arbeid på maskinen.

Støttehåndtak (hjelpeshåndtak)

⚠FORSIKTIG: Benytt alltid sidehåndtaket for å bruke verktøyet på en sikker måte.

⚠FORSIKTIG: Når du har montert eller justert sidehåndtaket, må du passe på at støttehåndtaket sitter godt fast.

Sidehåndtaket kan svinges 360° vertikalt og festes i hvilken som helst ønsket stilling. Løsne klemmutteren for å svinge sidehåndtaket til ønsket stilling, og deretter strammer du mutteren godt.

► **Fig.3:** 1. Sidehåndtak 2. Klemmutter

Montere eller demontere bits

Smørefett

Rengjør endeskafet på boret, og påfør smørefett før du monterer boret.

Smør endeskafet på boret med litt smørefett (ca. 0,5–1 g) på forhånd. Denne kjoksmøringen sikrer jevn rotasjon og lengre levetid.

► **Fig.4:** 1. Endeskaf 2. Smørefett

Sette på boret

⚠FORSIKTIG: Forsøk alltid å trekke meiselen ut av verktøyklemmen etter at du har fullført prosedyren over for å forsikre deg om at meiselen er klemt godt fast.

Kun for modell HM1511, HM1501

Hold boret med den riflede skaftsiden vendt mot verktøyklemmen, og sett det så langt inn i verktøyholderen som mulig. Dra ut verktøyklemmen og dreid den 180° for å feste boret.

► **Fig.5:** 1. Bits 2. Verktøyklemme 3. Verktøyholder

Kun for modell HM1512, HM1502

Til dette verktøyet kan det brukes meisler både med og uten krage på skaftet.

► **Fig.6:** 1. Spissmeisel med krage 2. Bit uten krage

Sett inn meiselen ved å følge prosedyre (1) eller (2) som er beskrevet nedenfor.

OBS: Boret uten krage kan ikke holdes igjen med metode (1).

- (1) **For bor med krage**
Drei verktøyholderen som vist i figuren. Sett boret så langt inn i verktøyholderen som mulig.

Når du skal sette i bitset

- **Fig.7:** 1. Bits 2. Verktøyklemme 3. Verktøyholder
For å feste bitset, føres verktøyholderen tilbake som vist i figuren.

Når bitset klemmes fast

- **Fig.8:** 1. Bits 2. Verktøyklemme

(2) **For bor uten krage**

Drei verktøyholderen som vist i figuren. Hold boret med den riflede siden vendt mot skaftet på verktøyklemmen, og sett det så langt inn i verktøyholderen som mulig.

Når du skal sette i bitset

- **Fig.9:** 1. Bits 2. Verktøyklemme 3. Verktøyholder
Fest bitset ved å dreie verktøyholderen som vist i figuren.

Når bitset klemmes fast

- **Fig.10:** 1. Bits 2. Verktøyklemme

Ta ut boret

Ta ut bitset ved å følge monteringsprosedyren i motsatt rekkefølge.

Tilbehør til støvavsug

Valgfritt tilbehør

Støvsugerutstyrt er beregnet på å redusere bortblåst støv og partikler ved meisling i et keramisk materiale som f.eks. betong.

1. Monter slangeholderen (A).

Løsne klemmutteren, og fjern deretter sekskantbolten. Monter slangeholderen (A) mellom sekskantbolten og klemmutteren ved å stramme klemmutteren godt.

- **Fig.11:** 1. Sekskantbolt 2. Slangeholder (A)
3. Klemmutter

2. Fest slangeholderen (C) til slangevernet.

- **Fig.12:** 1. Slangevern 2. Slangeholder (C)

3. Fest støvdekslet og slangen på verktøyet, og deretter fester du slangen til slangeholderne.

- **Fig.13:** 1. Støvdeksel 2. Slange 3. Slangeholder (A)
4. Slangeholder (C)

4. Koble slangen til støvsugerens slange med slangekoblingen.

MERK: Hvis slangen ikke følger med, fester du støvdekslet til støvsugerens kobling, eller fest den til Makitas slange på $\varnothing 28$.

5. Juster avstanden mellom støvdekslet og spissen på bredmeiselen eller spissmeiselen.

For den selvskjerpene spissmeiselen justerer du støvdekslet slik at det ikke dekker til sporene i den selvskjerpene spissmeiselen.

For andre bor enn den selvskjerpene spissmeiselen, er anbefalt avstand 30 mm til 100 mm.

- **Fig.14:** 1. Spor 2. 30 mm til 100 mm

BRUK

⚠FORSIKTIG: Bruk alltid støttehåndtaket (hjelpehåndtaket), og hold maskinen støtt med både støttehåndtak og hovedhåndtak når du bruker den.

⚠FORSIKTIG: Sørg alltid for at arbeidsstykket sitter godt fast før du går i gang. Hvis du ikke sørger for å feste arbeidsstykket godt, kan det bevege på seg og forårsake personskade.

⚠FORSIKTIG: Ikke dra verktøyet ut med makt, selv om boret setter seg fast. Tap av kontroll kan føre til personskade.

⚠FORSIKTIG: Ikke etterlat verktøyet stående i arbeidsstykket. Det kan føre til at verktøyet starter utilsiktet og forårsaker en personskade.

Meisling/avskalling/neddriving

Hold verktøyet godt fast med begge hender. Slå på verktøyet, og legg lett trykk på det slik at det ikke beveger seg ukontrollert. Å trykke veldig hardt på verktøyet vil bare gjøre det mindre effektivt.

- **Fig.15**

VEDLIKEHOLD

⚠FORSIKTIG: Forviss deg alltid om at verktøyet er slått av og støpselet trukket ut av kontakten før du utfører inspeksjon eller vedlikehold.

OBS: Aldri bruk gasolin, bensin, tynner alkohol eller lignende. Det kan føre til misfarging, deformering eller sprekkdannelse.

For å opprettholde produktets SIKKERHET og PÅLITELIGHET, må reparasjoner, vedlikehold og justeringer utføres av autoriserte Makita servicesentre eller fabrikkservicesentre, og det må alltid brukes reservedeler fra Makita.

Smøring

⚠FORSIKTIG: Denne servicen må bare gjøres av autoriserte Makita servicesentre.

Dette verktøyet trenger ikke å smøres hver time eller hver dag, fordi det har et smørefettsystem. Det bør smøres på nytt regelmessig. Send hele verktøyet til et autorisert Makita serviceverksted eller fabrikkserviceverksted for denne smøreservicen.

VALGFRITT TILBEHØR

⚠️ FORSIKTIG: Det anbefales at du bruker dette tilbehøret eller verktøyet sammen med den Makita-maskinen som er spesifisert i denne håndboken. Bruk av annet tilbehør eller verktøy kan forårsake personskader. Tilbehør og verktøy må kun brukes til det formålet det er beregnet på.

Ta kontakt med ditt lokale Makita-servicesenter hvis du trenger mer informasjon om dette tilbehøret.

- Spissmeisel
- Flatmeisel
- Bredmeisel
- Slagmeisel
- Rundmeisel
- Borfett
- Tilbehør til støvavsug
- Vernebriller
- Hammerholder

MERK: Enkelte elementer i listen kan være inkludert som standardtilbehør i verktøypakken. Elementene kan variere fra land til land.

TEKNISET TIEDOT

Malli:	HM1511	HM1501	HM1512	HM1502
Lyöntiä minuutissa	1 300 min ⁻¹			
Kokonaispituus	781 mm		809 mm	
Nettopaino	19,2 kg	18,4 kg	20,4 kg	19,7 kg
Suojausluokka	□/			
Pehmeä kuormittamaton pyörimistoiminto	✓	-	✓	-

- Jatkuvasta tutkimus- ja kehitystyöstämme johtuen esitetyt tekniset tiedot saattavat muuttua ilman erillistä ilmoitusta.
- Tekniset tiedot voivat vaihdella maittain.
- Paino voi olla erilainen lisävarusteista johtuen. EPTA-menettelytavan 01/2014 mukaisesti, taulukossa on kuvattu kevyin ja painavin laiteyhdistelmä.

Käyttötarkoitus

Työkalu on tarkoitettu betonin, kiven, tiilen ja asfaltin piikkaamiseen sekä tiivistykseen ja junttaukseen oikeanlaisten lisävarusteiden kanssa.

Virtälähde

Koneen saa kytkeä vain sellaiseen virtälähteeseen, jonka jännite on sama kuin arvokilvessä ilmoitettu, ja sitä saa käyttää ainoastaan yksivaiheisella vaihtovirralla. Laite on kaksinkertaisesti suojaeristetty ja siksi se voidaan kytkeä myös maadoittamattomaan pistorasiaan.

Melutaso

Tyyppillinen A-painotettu melutaso määrytyy standardin EN60745-2-6 mukaan:

Malli HM1511

Äänenpainetaso (L_{pA}): 85 dB (A)
 Äänen voiman taso (L_{WA}): 105 dB (A)
 Virhemarginaali (K): 1,57 dB (A)

Malli HM1501

Äänenpainetaso (L_{pA}): 84 dB (A)
 Äänen voiman taso (L_{WA}): 104 dB (A)
 Virhemarginaali (K): 2,02 dB (A)

Malli HM1512

Äänenpainetaso (L_{pA}): 84 dB (A)
 Äänen voiman taso (L_{WA}): 104 dB (A)
 Virhemarginaali (K): 1,76 dB (A)

Malli HM1502

Äänenpainetaso (L_{pA}): 85 dB (A)
 Äänen voiman taso (L_{WA}): 105 dB (A)
 Virhemarginaali (K): 1,79 dB (A)

HUOMAA: Ilmoitetut melutasoarvot on mitattu standarditestausten mukaisesti ja niiden avulla voidaan vertailla työkaluja keskenään.

HUOMAA: Ilmoitettuja melutasoarvoja voidaan käyttää myös altistumisen alustavaan arviointiin.

VAROITUS: Käytä kuulosuojaimia.

VAROITUS: Sähkötyökalun käytön aikana mitattu melutasoarvo voi poiketa ilmoitetuista arvoista laitteen käyttötavan ja erityisesti käsiteltävän työkappaleen mukaan.

VAROITUS: Selvitä käyttäjän suojaamiseksi tarvittavat varoimet todellisissa käyttöolosuhteissa tapahtuvan arvioitun altistumisen mukaisesti (ottaen huomioon käyttöjaksot kokonaisuuksessaan, myös jaksot, joiden aikana laite on sammutettuna tai käy tyhjäkäynnillä).

Tärinä

Kokonaistärinä (kolmen akselin vektorien summa) määrytyy standardin EN60745-2-6 mukaan:

Malli HM1511

Työtila: talttaaminen
 Tärinäpäästö ($a_{h, Cheq}$): 6,5 m/s²
 Virhemarginaali (K): 1,5 m/s²

Malli HM1501

Työtila: talttaaminen
 Tärinäpäästö ($a_{h, ID}$): 14,5 m/s²
 Virhemarginaali (K): 1,5 m/s²

Malli HM1512

Työtila: talttaaminen
 Tärinäpäästö ($a_{h, ID}$): 6,5 m/s²
 Virhemarginaali (K): 1,5 m/s²

Malli HM1502

Työtila: talttaaminen
 Tärinäpäästö ($a_{h, ID}$): 14,5 m/s²
 Virhemarginaali (K): 1,5 m/s²

HUOMAA: Ilmoitetut kokonaistärinäarvot on mitattu standarditestausten mukaisesti ja niiden avulla voidaan vertailla työkaluja keskenään.

HUOMAA: Ilmoitettuja kokonaistärinäarvoja voidaan käyttää myös altistumisen alustavaan arviointiin.

VAROITUS: Sähkötyökalun käytön aikana mitattu todellinen tärinäpäästöarvo voi poiketa ilmoitetuista arvoista laitteen käyttötavan ja erityisesti käsiteltävän työkalupaleen mukaan.

VAROITUS: Selvitä käyttäjän suojaamiseksi tarvittavat varoimet todellisissa käyttöolosuhteissa tapahtuvan arvioidun altistumisen mukaisesti (ottaen huomioon käyttöjakso kokonaisuudessaan, myös jaksot, joiden aikana laite on sammutettuna tai käy tyhjäkäynnillä).

EY-vaatimustenmukaisuusvakuutus

Koskee vain Euroopan maita

EY-vaatimustenmukaisuusvakuutus on liitetty tähän käyttöoppaaseen.

TURVAVAROITUKSET

Sähkötyökalujen käyttöä koskevat yleiset varoitukset

VAROITUS: Tutustu kaikkiin tämän sähkötyökalun mukana toimitettuihin varoituksiin, ohjeisiin, kuviin ja teknisiin tietoihin. Seuraavassa lueteltujen ohjeiden noudattamatta jättäminen saattaa johtaa sähköiskuun, tulipaloon tai vakavaan vammautumiseen.

Säilytä varoitukset ja ohjeet tulevaa käyttöä varten.

Varoituksissa käytettävällä termillä "sähkötyökalu" tarkoitetaan joko verkkovirtaa käyttävää (johdollista) työkalua tai akkukäyttöistä (johdotonta) työkalua.

Sähkömurtovasaran turvavaroitukset

- Käytä kuulosuojaimia.** Melulle altistuminen saattaa aiheuttaa kuulokyvyn heikentymistä.
- Käytä työkalun mukana mahdollisesti toimitettua lisäkavaa tai-kahvoja.** Hallinnan menetys voi aiheuttaa henkilövahinkoja.
- Pidä sähkötyökalua sen eristetyistä tartuntapinnoista silloin, kun on mahdollista, että sen terä saattaa osua piilossa oleviin johtoihin tai koneen omaan virtajohtoon.** Jos leikkaustyökalu joutuu kosketukseen jännitteisen johdon kanssa, jännite voi siirtyä työkalun sähköä johtaviin metalliosiin ja aiheuttaa käyttäjälle sähköiskun.
- Käytä kovaa päähinettä (suojakypärää), suojalaseja ja/tai kasv suojusta.** Tavalliset silmä- tai aurinkolasit EIVÄT ole suojalaseja. Myös hengityssuojaimen ja paksujen käsineiden käyttö on suositeltavaa.
- Varmista ennen työskentelyn aloittamista, että terä on kiinnitetty tiukasti paikoilleen.**

- Laite on suunniteltu siten, että se tärisee normaalkäytössä.** Ruuvit voivat irrota hyvinkin helposti aiheuttaen laitteen rikkoutumisen tai onnettomuuden. Tarkasta ruuvien kireys huolellisesti ennen käyttöä.
- Jos ilma on kylmä tai konetta ei ole käytetty pitkään aikaan, anna sen lämmetä jonkin aikaa tyhjäkäynnillä.** Tämä estohastaa laitteen voitelua. Vasarointi voi olla hankalaa ilman asianmukaista esilämmitystä.
- Seiso aina tukevassa asennossa.** Varmista korkealla työskennellessäsi, että ketään ei ole alapuolella.
- Pidä työkalusta lujasti molemmin käsin.**
- Pidä kädet poissa liikkuvien osien luota.**
- Älä jätä työkalua käymään itseksensä.** Käytä laitetta vain silloin, kun pidät sitä kädessä.
- Älä osoita laitteella ketään, kun käytät sitä.** Terä saattaa lennähtää irti ja aiheuttaa vakavan loukkaantumisen.
- Älä kosketa terää, sen lähellä olevia osia tai työkalupalleita välittömästi käytön jälkeen, sillä ne voivat olla erittäin kuumia ja aiheuttaa palovammoja.**
- Jotkin materiaalit sisältävät kemikaaleja, jotka voivat olla myrkyllisiä.** Huolehdi siitä, että pölyn sisäänhengittäminen ja ihokosketus estetään. Noudata materiaalin toimittajan turvaohjeita.
- Älä kosketele virtajohtoa märillä käsillä.**
- Varmista ennen käyttöä, ettei työskentelyalueella ole upotuksia, kuten sähkö-, vesi- tai kaasuputkia.** Muutoin kärki voi koskettaa niitä, mikä voi johtaa sähköiskuun, sähkövuotoon tai kaasuvuotoon.
- Älä käytä työkalua tarpeettomasti kuormittamattomana.**

SÄILYTÄ NÄMÄ OHJEET.

VAROITUS: ÄLÄ anna työkalun helppokäyttöisyyden (toistuvan käytön aikaansaama) johtaa sinua vääriin turvallisuuden tunteeseen niin, että laiminlyöt työkalun turvaohjeiden noudattamisen. **VÄÄRINKÄYTTÖ** tai tässä käyttöohjeessa ilmoitettujen turvamääräysten laiminlyönti voi aiheuttaa vakavia henkilövahinkoja.

TOIMINTOJEN KUVAUS

⚠HUOMIO: Varmista aina ennen koneen säätö- ja toiminnallisten tarkistusten tekemistä, että kone on sammutettu ja irrotettu pistorasiasta.

Kytkimen käyttäminen

⚠HUOMIO: Tarkasta aina ennen työkalun liittämistä virtalähteeseen, että kytkinvipu kytkeytyy oikein ja palaa "OFF"-asettoon.

⚠HUOMIO: Kytkimen voi lukita "ON"-asettoon, jotta pitkäaikainen käyttö olisi käyttäjälle helpompaa. Ole varovainen, kun lukitset työkalun "ON"-asettoon ja pidä työkalusta luja ote.

Käynnistä työkalu painamalla sen vasemmalla puolella olevaa "ON (I)" -kytkinvipua. Pysäytä työkalu painamalla sen oikealla puolella olevaa "OFF (O)" -kytkinvipua.

► **Kuva1:** 1. Vipukytkin

Merkkivalo

Virran ON-merkkivalo syttyy ja palaa vihreänä, kun työkalu on kytketty virtaan.

Jos merkkivalo ei syty, virtajohto tai ohjain saattaa olla viallinen.

Jos merkkivalo palaa, mutta työkalu ei käynnisty, vaikka virta on kytketty, synnä voi olla hiiliharjojen kuluminen tai vika ohjaimessa, moottorissa tai kytkimessä.

Punainen huollon merkkivalo syttyy vilkkuen työkalun huoltotarpeen merkiksi, kun hiiliharjat ovat lähes lopun kuluneet.

Noin 8 tunnin käytön jälkeen, moottori sammuu automaattisesti.

► **Kuva2:** 1. Tehon ON-merkkilamppu (vihreä)
2. Huoltomerkkilamppu (punainen)

Sähköinen toiminta

Laite on varustettu sähköisillä toiminnoilla helppokäyttöisyyttä ajatellen.

- Pehmeä kuormittamaton pyörimistoiminto (Vain mallit HM1511 ja HM1512)
Tärinän vähentämiseksi iskunopeus kuormittamattomassa käytössä pienenee kuormituksessa käytettävää iskunopeutta pienemmäksi. Se ei ole merkki ongelmista.
Kun käyttö aloitetaan asettamalla kärki betonia vasten, iskumäärä suurenee.
Tämä työkalun toiminto ei ehkä toimi oikein, vaikka moottori pyörisi, jos lämpötila on alhainen.
- Pehmeä käynnistyksen toiminto minimoi käynnistysiskun käynnistämällä laitteen tasaisesti.

KOKOONPANO

⚠HUOMIO: Varmista aina ennen koneelle tehtäviä toimenpiteitä, että kone on sammutettu ja irrotettu pistorasiasta.

Sivukahva (apukahva)

⚠HUOMIO: Käytä aina sivukahvaa käyttöturvallisuuden varmistamiseksi.

⚠HUOMIO: Varmista sivukahvan asentamisen tai säätämisen jälkeen, että se on paikallaan pitävästi.

Sivukahva voidaan kääntää 360° pystysuunnassa ja se voidaan kiinnittää mihin tahansa asentoon pystysuunnassa.

Avaa kiristysmutteria, jos haluat vaihtaa sivukahvan asentoa. Kiristä kiristysmutteri tiukasti tarvittavien säätöjen jälkeen.

► **Kuva3:** 1. Sivukahva 2. Kiristysmutteri

Terän kiinnitys ja irrotus

Voitele

Puhdista terän karanpää ja levitä siihen rasvaa ennen terän asentamista.

Sivele terän karanpäähän hieman rasvaa (0,5–1 g) ennen käyttöä. Tämä istukan voitelu takaa juohevan toiminnan ja pidentää käyttöikää.

► **Kuva4:** 1. Karanpää 2. Voitele

Kärjen asentaminen

⚠HUOMIO: Varmista aina, että terä on kunnolla kiinni, yrittämällä vetää sitä pois työkalunpitimestä yllä olevan menettelyn suorittamisen jälkeen.

Vain mallit HM1511 ja HM1501

Aseta kärjen varren lovettu osa työkalunpidätintä kohti ja työnnä kärki niin syväälle työkalun kannattimeen kuin se menee. Kiinnitä kärki vetämällä työkalunpidätintä ulos ja kääntämällä sitä 180°.

► **Kuva5:** 1. Kärki 2. Työkalunpidätin 3. Työkalun kannatin

Vain mallit HM1512 ja HM1502

Työkalussa voidaan käyttää teriä, joissa on laipallinen tai laipaton varsi.

► **Kuva6:** 1. Laipallinen terä 2. Terä ilman laippaa

Asenna terä alla kuvatulla tavalla (1) tai (2).

HUOMAUTUS: Laipatonta kärkeä ei voi kiinnittää tavan (1) mukaisesti.

(1) Laipalliset kärjet

Käännä työkalunpidätintä kuvan mukaisesti. Työnnä terä niin syvälle työkalun kannattimeen kuin se menee.

Terän kiinnittäminen

► **Kuva7:** 1. Kärki 2. Työkalunpidätin 3. Työkalun kannatin

Kiinnitä terä paikalleen palauttamalla työkalunpidätin paikalleen kuvan mukaisesti.

Kun terä on kiinnitetty

► **Kuva8:** 1. Kärki 2. Työkalunpidätin

(2) Laipattomat kärjet

Käännä työkalunpidätintä kuvan mukaisesti. Aseta terän lovettu osa työkalunpidättimen akselia kohti ja työnnä terä niin syvälle työkalun kannattimeen kuin se menee.

Terän kiinnittäminen

► **Kuva9:** 1. Kärki 2. Työkalunpidätin 3. Työkalun kannatin

Kiinnitä terä kääntämällä työkalunpidätintä kuvan mukaisesti.

Kun terä on kiinnitetty

► **Kuva10:** 1. Kärki 2. Työkalunpidätin

Kärjen irrottaminen

Irrota terä päinvastaisessa järjestyksessä.

Pölynkeräin

Lisävaruste

Pölynkeräin on tarkoitettu vähentämään pölyn ja hiukasten leviämistä taltattaessa keraamisia materiaaleja, kuten betonia.

1. Asenna letkupidike (A).

Löysää kiristysmutteria ja irrota sitten kuusiopultti. Asenna letkupidike (A) kuusiopultin ja kiristysmutterin väliin kiristämällä kiristysmutteri tiukasti.

► **Kuva11:** 1. Kuusiopultti 2. Letkupidike (A)
3. Kiristysmutteri

2. Kiinnitä letkupidike (C) johtosuojuksen.

► **Kuva12:** 1. Johtosuojaus 2. Letkupidike (C)

3. Kiinnitä pölysuojus ja letku laitteeseen ja kiinnitä sitten letku letkupidikkeisiin.

► **Kuva13:** 1. Pölysuojus 2. Letku 3. Letkupidike (A)
4. Letkupidike (C)

4. Kiinnitä letku pölynimurin letkuun letkuliittimellä.

HUOMAA: Jos letkua ei ole toimitettu mukana, liitä pölysuojus pölynimurin liittimeen tai Makitan läpimitan ø28 letkuun.

5. Säädä pölysuojuksen ja taltan kärjen tai lattataltan välinen etäisyys.

Jos käytät itseteroitettavaa lattatalttaa, säädä pölysuojus niin, ettei se peitä itseteroitettavan lattataltan uria.

Muita kärkiä kuin itseteroitettavia lattatalttoja käytettäessä suositusetaisyys on 30 mm – 100 mm.

► **Kuva14:** 1. Ura 2. 30 mm - 100 mm

TYÖSKENTELY

▲HUOMIO: Käytä aina sivukahvaa (apukahvaa) ja pidä työkalusta tiukasti toinen käsi sivukahvalla ja toinen kytinkahvalla työskentelyn aikana.

▲HUOMIO: Varmista aina ennen käyttöä, että työkappale on kiinnitetty pitävästi paikalleen. Jos työkappale ei kiinnitetä asianmukaisesti, työkappale voi päästä liikkumaan, mikä voi johtaa henkilövahinkoon.

▲HUOMIO: Älä vedä laitetta irti voimalla, vaikka sen terä juuttuisi kiinni. Hallinnan menetys voi aiheuttaa henkilövahinkoja.

▲HUOMIO: Älä jätä työkalua kiinni työkalulaatteen. Muutoin työkalu voi käynnistyä odottamattomasti ja aiheuttaa henkilövahinkoja.

Piikkaus/Kuorinta/Purkutyö

Pidä työkalusta lujasti kiinni molemmin käsin. Käynnistä työkalu ja paina sitä kevyesti niin, että se ei pompi hallitsemattomasti ympäriinsä. Työkalun voimakas painaminen ei lisää sen tehokkuutta.

► **Kuva15**

KUNNOSSAPITO

▲HUOMIO: Varmista aina ennen tarkastuksia ja huoltotoita, että työkalu on sammutettu ja irrotettu virtalähteestä.

HUOMAUTUS: Älä koskaan käytä bensiiniä, ohenteita, alkoholia tai tms. aineita. Muutoin pinta voi halkeilla tai sen värit ja muoto voivat muuttua. Muutoin laitteeseen voi tulla värjäytyksiä, muodon vääristymiä tai halkeamia.

Tuotteen TURVALLISUUDEN ja LUOTETTAVUUDEN takaamiseksi korjaukset, muut huoltotyöt ja säädöt on teetettävä Makitan valtuutetussa huoltopisteessä Makitan varaosia käyttäen.

Voitelu

▲HUOMIO: Tämä huoltotoimenpide tulisi suorittaa ainoastaan Makitan valtuutetussa huoltopisteessä.

Tämä työkalu ei vaadi tunnitaita tai päivittäistä voitelua, koska siinä on rasvapakattu voitelujärjestelmä. Se täytyy uudelleen voidella säännöllisesti. Lähetä koko työkalu voideltavaksi Makitan valtuuttamaan tai tehtaan huoltopisteeseen.

LISÄVARUSTEET

⚠HUOMIO: Seuraavia lisävarusteita tai laitteita suositellaan käytettäväksi tässä ohjeessa kuvatun Makita-työkalun kanssa. Muiden lisävarusteiden tai laitteiden käyttö voi aiheuttaa henkilövahinkoja. Käytä lisävarusteita ja -laitteita vain niiden käyttötarkoituksen mukaisesti.

Jos tarvitset apua tai yksityiskohtaisempia tietoja seuraavista lisävarusteista, ota yhteys paikalliseen Makitan huoltoon.

- Lattataltta
- Ristitaltta
- Kuorimistaltta
- Savilapio
- Juntta
- Terärasva
- Pölynkeräin
- Suojalasit
- Vasaran kuljetin

HUOMAA: Jotkin luettelossa mainitut varusteet voivat sisältyä työkalun toimitukseen vakiovarusteina. Ne voivat vaihdella maittain.

SPECIFIKATIONER

Model:	HM1511	HM1501	HM1512	HM1502
Slag pr. minut	1.300 min ⁻¹			
Samlet længde	781 mm		809 mm	
Nettovægt	19,2 kg	18,4 kg	20,4 kg	19,7 kg
Sikkerhedsklasse	□/II			
Funktion til blød rotation uden belastning	✓	-	✓	-

- På grund af vores kontinuerlige forsknings- og udviklingsprogrammer kan hosstående specifikationer blive ændret uden varsel.
- Specifikationer kan variere fra land til land.
- Vægten kan være anderledes afhængigt af tilbehøret. Den letteste og tungeste kombination i henhold til EPTA-procedure 01/2014 er vist i tabellen.

Tilsigtet brug

Maskinen er beregnet til mejslingsarbejde i beton, mursten, sten og asfalt såvel som til drift og komprimering med passende tilbehør.

Strømforsyning

Maskinen må kun tilsluttes en strømforsyning med samme spænding som angivet på typeskiltet og kan kun anvendes på enfaset vekselstrømforsyning. Den er dobbeltisoleret og kan derfor også tilsluttes netstik uden jordforbindelse.

Støj

Det typiske A-vægtede støjniveau bestemmt i overensstemmelse med EN60745-2-6:

Model HM1511

Lydtryksniveau (L_{pA}): 85 dB (A)
 Lydeffektniveau (L_{WA}): 105 dB (A)
 Usikkerhed (K): 1,57 dB (A)

Model HM1501

Lydtryksniveau (L_{pA}): 84 dB (A)
 Lydeffektniveau (L_{WA}): 104 dB (A)
 Usikkerhed (K): 2,02 dB (A)

Model HM1512

Lydtryksniveau (L_{pA}): 84 dB (A)
 Lydeffektniveau (L_{WA}): 104 dB (A)
 Usikkerhed (K): 1,76 dB (A)

Model HM1502

Lydtryksniveau (L_{pA}): 85 dB (A)
 Lydeffektniveau (L_{WA}): 105 dB (A)
 Usikkerhed (K): 1,79 dB (A)

BEMÆRK: De(n) angivne støjemissionsværdi(er) er målt i overensstemmelse med en standardtestmetode og kan anvendes til at sammenligne en maskine med en anden.

BEMÆRK: De(n) angivne støjemissionsværdi(er) kan også anvendes i en præliminær eksponeringsvurdering.

⚠ ADVARSEL: Bær høreværn.

⚠ ADVARSEL: Støjemissionen under den faktiske anvendelse af maskinen kan være forskellig fra de(n) angivne værdi(er), afhængigt af den måde hvorpå maskinen anvendes, især den type arbejdsømne der behandles.

⚠ ADVARSEL: Sørg for at identificere de sikkerhedsforskrifter til beskyttelse af operatøren, som er baseret på en vurdering af eksponering under de faktiske brugsforhold (med hensyntagen til alle dele i brugscyklussen, f.eks. de gange, hvor maskinen er slukket, og når den kører i tomgang i tilgift til afbrydertiden).

Vibration

Vibrationens totalværdi (tre-aksial vektorsum) bestemmt i overensstemmelse med EN60745-2-6:

Model HM1511

Arbejdstilstand: mejsling
 Vibrationsafgivelse ($a_{h, C_{req}}$): 6,5 m/s²
 Usikkerhed (K): 1,5 m/s²

Model HM1501

Arbejdstilstand: mejsling
 Vibrationsemission ($a_{h, ID}$): 14,5 m/s²
 Usikkerhed (K): 1,5 m/s²

Model HM1512

Arbejdstilstand: mejsling
 Vibrationsemission ($a_{h, ID}$): 6,5 m/s²
 Usikkerhed (K): 1,5 m/s²

Model HM1502

Arbejdstilstand: mejsling
 Vibrationsemission ($a_{h, ID}$): 14,5 m/s²
 Usikkerhed (K): 1,5 m/s²

BEMÆRK: De(n) angivne totalværdi(er) for vibration er målt i overensstemmelse med en standardtestmetode og kan anvendes til at sammenligne en maskine med en anden.

BEMÆRK: De(n) angivne totalværdi(er) for vibration kan også anvendes i en præliminær eksponeringsvurdering.

⚠ ADVARSEL: Vibrationsemissionen under den faktiske anvendelse af maskinen kan være forskellig fra de(n) angivne værdi(er), afhængigt af den måde hvorpå maskinen anvendes, især den type arbejdsemne der behandles.

⚠ ADVARSEL: Sørg for at identificere de sikkerhedsforskrifter til beskyttelse af operatøren, som er baseret på en vurdering af eksponering under de faktiske brugsforhold (med hensyntagen til alle dele i brugscyklussen, f.eks. de gange, hvor maskinen er slukket, og når den kører i tomgang i tilgift til afbrydertiden).

EF-overensstemmelseserklæring

Kun for lande i Europa

EF-overensstemmelseserklæringen er inkluderet som Bilag A i denne brugsanvisning.

SIKKERHEDSADVARSLER

Almindelige sikkerhedsregler for el-værktøj

⚠ ADVARSEL: Læs alle de sikkerhedsadvarsler, instruktioner, illustrationer og specifikationer, der følger med denne maskine. Forsømmelse af at overholde alle nedenstående instruktioner kan medføre elektrisk stød, brand og/eller alvorlig personskade.

Gem alle advarsler og instruktioner til fremtidig reference.

Ordet "el-værktøj" i advarslerne henviser til det netforsynede (netledning) el-værktøj eller batteriforsynede (akku) el-værktøj.

Sikkerhedsadvarsler til elektrisk afbryder

1. **Bær høreværn.** Udsættelse for støj kan medføre høreskader.
2. **Brug hjælpehåndtaget (-håndtagene), hvis sådanne følger med maskinen.** Hvis herredømmet over maskinen mistes, kan det føre til tilskadekomst.
3. **Hold maskinen i de isolerede grebflader, når der udføres et arbejde, hvor skæretilbehøret kan komme i kontakt med skjulte ledninger eller dens egen ledning.** Skæretilbehør, som kommer i kontakt med en strømførende ledning, kan gøre maskinens ikke-isolerede metaldele strømførende, hvilket kan give operatøren elektrisk stød.
4. **Bær hjelm (sikkerhedshjelm), sikkerhedsbriller og/eller ansigtsskjold.** Almindelige briller eller solbriller er IKKE sikkerhedsbriller. Det anbefales desuden på det kraftigste at bære støvmaske og kraftigt polstrede handsker.

5. Sørg for, at bittens sidder godt fast før brugen.
6. Maskinen er designet til at forårsage vibration ved normal brug. Skruerne kan nemt løsne sig og medføre et nedbrud eller en ulykke. Kontroller før brugen, at skruerne sidder stramt.
7. I koldt vejr, eller hvis maskinen ikke har været anvendt i længere tid, skal du lade maskinen varme op et stykke tid ved at lade den køre i tomgang. Derved blødgøres smøremidlet. Uden korrekt opvarmning kan det være vanskeligt at betjene hammeren.
8. Vær altid sikker på, at De har et godt fodfæste. Vær sikker på, at der ikke befinder sig nogen nedenunder, når maskinen anvendes i højden.
9. Hold godt fast i maskinen med begge hænder.
10. Hold hænderne på afstand fra bevægelige dele.
11. Lad ikke maskinen køre i tomgang. Anvend kun maskinen håndholdt.
12. Ret ikke maskinen mod personer i nærheden, mens den kører. Bitten kan flyve ud og forårsage alvorlig personskade.
13. Rør ikke ved bittens eller dele i nærheden af bittens eller arbejdsemnet umiddelbart efter brugen. De kan være meget varme og kan forårsage forbrændinger af huden.
14. Nogle materialer indeholder kemikalier, som kan være giftige. Vær påpasselig med at forhindre inhalering af støv og hudkontakt. Følg materiale-leverandørens sikkerhedsdata.
15. Undlad at berøre strømforsyningsstikket med våde hænder.
16. Inden betjening skal du sørge for, at der ikke er nogen skjulte genstande som f.eks. elektriske rør, vandrør eller gasrør i arbejdsområdet. Ellers kan bittens muligvis røre ved dem, hvilket kan resultere i et elektrisk stød, elektrisk lækage eller gaslækage.
17. Anvend ikke maskinen unødvendigt i ubelastet tilstand.

GEM DENNE BRUGSANVISNING.

⚠ ADVARSEL: LAD IKKE bekvemmelighed eller kendskab til produktet (opnået gennem gentagen brug) forhindre, at sikkerhedsforskrifterne for produktet nøje overholdes. MISBRUG eller forsømmelse af at følge de i denne brugsvejledning givne sikkerhedsforskrifter kan føre til, at De kommer alvorligt til skade.

FUNKTIONSBESKRIVELSE

⚠FORSIGTIG: Kontrollér altid, at maskinen er slået fra, og at netstikket er trukket ud, før der udføres justeringer, eller funktioner kontrolleres på maskinen.

Afbryderbetjening

⚠FORSIGTIG: Før maskinen tilkobles, skal du altid kontrollere, at afbryderarmen aktiveres korrekt og går tilbage i "FRA"-stillingen.

⚠FORSIGTIG: Kontakten kan låses i "ON"-stillingen for at gøre det nemmere for brugeren ved længere tids brug af maskinen. Vær forsigtig, når maskinen låses i "ON"-stillingen, og hold godt fast i maskinen.

For at starte maskinen skal du trykke på afbryderarmen "TIL (I)" i venstre side af maskinen. For at stoppe maskinen skal du trykke på afbryderarmen "FRA (O)" i højre side af maskinen.

► **Fig.1:** 1. Afbryderhåndtag

Indikatorlampe

Tænd/sluk-indikator lampen lyser grønt, når maskinen er tilkoblet.

Hvis indikatorlampen ikke lyser, er netledningen eller kontrolleren muligvis defekt.

Hvis indikatorlampen lyser, men maskinen ikke starter, selvom maskinen er tændt, er kulbørsterne muligvis nedslidte, eller kontrolleren, motoren eller kontakten er muligvis defekt.

Serviceindikatorlampen blinker rødt, når kulbørsterne er næsten slidte for at indikere, at maskinen skal serviceres.

Efter ca. 8 timers anvendelse slukkes motoren automatisk.

► **Fig.2:** 1. Tænd/sluk-indikatorlampe (grøn)
2. Serviceindikatorlampe (rød)

Elektronisk funktion

Maskinen er udstyret med elektroniske funktioner for nem betjening.

- Funktion til blød rotation uden belastning (Kun til modelHM1511, HM1512)
Slag ved ingen belastning pr. minut bliver mindre end dem på belastning for at reducere vibrationer under ingen belastning, men dette er ikke et tegn på en fejl.
Når driften starter med en bit mod beton, øges slag pr. minut.
Når temperaturen er lav, har maskinen muligvis ikke denne funktion, selv når motoren kører.
- Blød start
Funktionen til blød start minimerer stødet ved start og får maskinen til at starte blødt.

SAMLING

⚠FORSIGTIG: Sørg altid for, at maskinen er slukket og taget ud af forbindelse, inden der udføres nogen form for arbejde på maskinen.

Sidegreb (ekstra greb)

⚠FORSIGTIG: Brug altid sidegrebet for sikker betjening.

⚠FORSIGTIG: Efter montering eller justering af sidegrebet, så sørg for, at sidegrebet er sikkert fastgjort.

Sidegrebet kan svinges 360° i lodret retning og fastgøres i enhver ønsket position.

Løsn tilspændingsmøtrikken for at svinge sidegrebet til den ønskede position, og stram derefter tilspændingsmøtrikken forsvarligt.

► **Fig.3:** 1. Sidegreb 2. Tilspændingsmøtrik

Montering eller afmontering af bitten

Fedtstof

Rengør skaftenden på bitten, og påsmør fedtstof, før bitten monteres.

Dæk skaftenden af bitten med en lille smule fedtstof (cirka 0,5 - 1 g) på forhånd. Denne smøring af patronen sikrer en jævn funktion og længere levetid.

► **Fig.4:** 1. Skaftende 2. Fedtstof

Montering af bitten

⚠FORSIGTIG: Sørg altid for, at bitten fastholdes sikkert ved at forsøge at trække bitten ud af maskinholderen, efter at ovenstående procedure er udført.

Kun til modelHM1511, HM1501

Delen med hakket på bittens skaft vender mod bitholderen, og bitten sættes så langt ind i maskinholderen som muligt. Træk derefter bitholderen ud, og drej den 180° for at fastgøre bitten.

► **Fig.5:** 1. Bit 2. Bit-holder 3. Maskinholder

Kun til modelHM1512, HM1502

Denne maskine accepterer bits enten med eller uden en krave på skaftet.

► **Fig.6:** 1. Bit med krave 2. Bit uden krave

For at montere bitten skal du følge enten procedure (1) eller (2), der er beskrevet nedenfor.

BEMÆRKNING: Bitten uden en krave kan ikke bevares ved procedure (1).

(1) Til bits med en krave

Drej bit-holderen som vist på fig. Indsæt bitten i bit-holderen så langt ind den kan komme.

Når bitten indsættes

► Fig.7: 1. Bit 2. Bit-holder 3. Maskinholder

Luk bit-holderen som vist på fig. for at sikre bitten.

Når bitten bevares

► Fig.8: 1. Bit 2. Bit-holder

(2) Til bits uden en krave

Drej bit-holderen som vist på fig. Når bit-delen med hakker vender mod bit-holderens akse, indsættes bitten så langt ind i bit-holderen, som den kan komme.

Når bitten indsættes

► Fig.9: 1. Bit 2. Bit-holder 3. Maskinholder

Drej bit-holderen som vist på fig. for at sikre bitten.

Når bitten bevares

► Fig.10: 1. Bit 2. Bit-holder

Afmontering af bitten

Følg monteringsproceduren i omvendt rækkefølge for at afmontere bitten.

Støvsugertilbehør

Ekstraudstyr

Støvsugertilbehøret er beregnet til at reducere støv og partikler, der er blæst væk, ved mejsling i et keramisk materiale som beton.

1. Monter slangeholderen (A).

Løsn tilspændingsmøtrikken, og fjern derefter sekskantbolten. Monter slangeholderen (A) mellem sekskantbolten og tilspændingsmøtrikken ved at stramme tilspændingsmøtrikken stramt.

► Fig.11: 1. Sekskantbolt 2. Slangeholder (A)
3. Tilspændingsmøtrik

2. Monter slangeholderen (C) på ledningsbeskyttelsesdelen.

► Fig.12: 1. Ledningsbeskyttelsesdel 2. Slangeholder (C)

3. Monter støvdækslet og slangen på maskinen, og fastgør derefter slangen på slangeholderne.

► Fig.13: 1. Støvdæksel 2. Slange 3. Slangeholder (A) 4. Slangeholder (C)

4. Slut slangen til støvsugerens slange ved hjælp af slangesamlingen.

BEMÆRK: Hvis slangen ikke medfølger, skal du montere støvdækslet på støvsugerens samling eller fastgøre det til Makitas slange ø28.

5. Juster afstanden mellem støvdækslet og spidsen af mejslen eller spidshammeren.

For den selvslibende spidshammer skal støvdækslet justeres for ikke at dække rillerne på den selvslibende spidshammer.

For andre bits end den selvslibende spidshammer er den anbefalede afstand 30 mm til 100 mm.

► Fig.14: 1. Rille 2. 30 mm til 100 mm

ANVENDELSE

⚠FORSIGTIG: Brug altid sidehåndtaget (ekstra håndtag), og hold godt fast i maskinen i både sidehåndtaget og omskifterhåndtaget under brug.

⚠FORSIGTIG: Sørg altid for, at arbejdsemnet er fastgjort før anvendelsen. Hvis arbejdsemnet ikke fastgøres ordentligt, kan det muligvis forårsage, at arbejdsemnet flytter sig, og resultere i tilskadekomst.

⚠FORSIGTIG: Undlad at trække maskinen ud med magt, selvom bitten sætter sig fast. Tab af kontrollen kan medføre personskaade.

⚠FORSIGTIG: Efterlad ikke maskinen stukket ind i arbejdsemnet. Ellers kan maskinen muligvis starte utilsigtet og forårsage tilskadekomst.

Mejsling/afbankning/nedrivning

Hold godt fast i maskinen med begge hænder. Tænd for maskinen, og tryk let på maskinen, så den ikke springer rundt og kommer ud af kontrol. Effektiviteten forøges ikke ved at trykke meget hårdt på maskinen.

► Fig.15

VEDLIGEHOLDELSE

⚠FORSIGTIG: Sørg altid for, at maskinen er slukket og taget ud af stikkontakten, før du forsøger at udføre inspektion eller vedligeholdelse.

BEMÆRKNING: Anvend aldrig benzin, rensebenzin, fortynder, alkohol og lignende. Det kan medføre misfarvning, deformering eller revner.

For at opretholde produktets SIKKERHED og PÅLIDELIGHED må reparation, vedligeholdelse eller justering kun udføres af et autoriseret Makita servicecenter eller fabrikksservicecenter med anvendelse af Makita reservedele.

Smøring

⚠FORSIGTIG: Denne service bør kun udføres af autoriserede Makita-servicecentre.

Denne maskine kræver ingen time- eller daglig smøring, da den har et fedtfyldt smøresystem. Den bør eftersmøres regelmæssigt. Send hele maskinen til et autoriseret Makita-fabrikksservicecenter for denne smøreservice.

EKSTRAUDSTYR

⚠️ FORSIGTIG: Det følgende tilbehør og ekstraudstyr er anbefalet til brug med Deres Makita maskine, der er beskrevet i denne brugsanvisning. Anvendelse af andet tilbehør eller ekstraudstyr kan udgøre en risiko for personskade. Anvend kun tilbehør og ekstraudstyr til det beskrevne formål.

Hvis De behøver hjælp ved valg af tilbehør eller ønsker yderligere informationer, bedes De kontakte Deres lokale Makita servicecenter.

- Spidshammer
- Koldmejsel
- Afbankningsmejsel
- Lerspade
- Stamper
- Smørelse til bit
- Støvsugertilbehør
- Beskyttelsesbriller
- Hammerbærer

BEMÆRK: Nogle ting på denne liste kan være inkluderet i værktøjspakken som standardtilbehør. Det kan være forskellige fra land til land.

SPECIFIKĀCIJAS

Modelis:	HM1511	HM1501	HM1512	HM1502
Triecieni minūtē	1 300 min ⁻¹			
Kopējais garums	781 mm		809 mm	
Neto svars	19,2 kg	18,4 kg	20,4 kg	19,7 kg
Drošības klase	□/II			
Laidena rotācija bez slodzes	✓	-	✓	-

- Nepārtrauktās izpētes un izstrādes programmas dēļ šeit uzrādītās specifikācijas var tikt mainītas bez brīdinājuma.
- Atkarībā no valsts specifikācijas var atšķirties.
- Svars var atšķirties atkarībā no papildierīces(-ēm). Tabulā ir attēlota vieglākā un smagākā kombinācija atbilstoši EPTA procedūrai 01/2014.

Paredzētā lietošana

Šis darbarīks ir paredzēts kalšanai betonā, ķieģeļos, akmeņi un asfaltā, kā arī, izmantojot atbilstošus piederus, skrūvēšanai un blīvēšanai.

Barošana

Darbarīks jāpievieno tikai tādām barošanas avotam, kura spriegums atbilst uz darbarīka tehnisko datu plāksnītes norādītajam, un darbarīku var izmantot tikai ar vienfāzes maiņstrāvas barošanu. Darbarīks aprīkots ar divkāro izolāciju, tādēļ to var izmantot arī, pievienojot kontaktligzdai bez iezemējuma vada.

Trokšņa līmenis

Tipiskais A svērtais trokšņa līmenis noteikts saskaņā ar EN60745-2-6:

Modelis HM1511

Skaņas spiediena līmeni (L_{pA}): 85 dB (A)

Skaņas jaudas līmeni (L_{WA}): 105 dB (A)

Mainīgums (K): 1,57 dB (A)

Modelis HM1501

Skaņas spiediena līmeni (L_{pA}): 84 dB (A)

Skaņas jaudas līmeni (L_{WA}): 104 dB (A)

Mainīgums (K): 2,02 dB (A)

Modelis HM1512

Skaņas spiediena līmeni (L_{pA}): 84 dB (A)

Skaņas jaudas līmeni (L_{WA}): 104 dB (A)

Mainīgums (K): 1,76 dB (A)

Modelis HM1502

Skaņas spiediena līmeni (L_{pA}): 85 dB (A)

Skaņas jaudas līmeni (L_{WA}): 105 dB (A)

Mainīgums (K): 1,79 dB (A)

PIEZĪME: Paziņotā trokšņa emisijas vērtība noteikta atbilstoši standarta pārbaudes metodei, un to var izmantot, lai salīdzinātu vienu darbarīku ar citu.

PIEZĪME: Paziņoto trokšņa emisijas vērtību arī var izmantot iedarbības sākotnējā novērtējumā.

▲BRĪDINĀJUMS: Lietojiet ausu aizsargus.

▲BRĪDINĀJUMS: Trokšņa emisija patiesos darba apstākļos var atšķirties no paziņotās vērtības atkarībā no darbarīka izmantošanas veida un jo īpaši atkarībā no apstrādājamā materiāla veida.

▲BRĪDINĀJUMS: Lai aizsargātu lietotāju, nosakiet drošības pasākumus, kas pamatoti ar iedarbību reālos darba apstākļos (ņemot vērā visus ekspluatācijas cikla posmus, piemēram, laiku, kamēr darbarīks ir izslēgts un kad darbojas tukšgaitā, kā arī palaides laiku).

Vibrācija

Vibrācijas kopējā vērtība (trīsasu vektora summa) noteikta atbilstoši EN60745-2-6:

Modelis HM1511

Darba režīms: kalšana

Vibrācija ($a_{h, Cheq}$): 6,5 m/s²

Mainīgums (K): 1,5 m/s²

Modelis HM1501

Darba režīms: kalšana

Vibrācijas izmēte ($a_{h, ID}$): 14,5 m/s²

Mainīgums (K): 1,5 m/s²

Modelis HM1512

Darba režīms: kalšana

Vibrācijas izmēte ($a_{h, ID}$): 6,5 m/s²

Mainīgums (K): 1,5 m/s²

Modelis HM1502

Darba režīms: kalšana

Vibrācijas izmēte ($a_{h, ID}$): 14,5 m/s²

Mainīgums (K): 1,5 m/s²

PIEZĪME: Paziņotā kopējā vibrācijas vērtība noteikta atbilstoši standarta pārbaudes metodei, un to var izmantot, lai salīdzinātu vienu darbarīku ar citu.

PIEZĪME: Paziņoto kopējo vibrācijas vērtību arī var izmantot iedarbības sākotnējā novērtējumā.

▲BRĪDINĀJUMS: Vibrācijas emisija patiesos darba apstākļos var atšķirties no paziņotās vērtības atkarībā no darbarīka izmantošanas veida un jo īpaši atkarībā no apstrādājamā materiāla veida.

▲BRĪDINĀJUMS: Lai aizsargātu lietotāju, nosakiet drošības pasākumus, kas pamatoti ar iedarbību reālos darba apstākļos (ņemot vērā visus ekspluatācijas cikla posmus, piemēram, laiku, kamēr darbarīks ir izslēgts un kad darbojas tukšgaitā, kā arī palaides laiku).

EK atbilstības deklarācija

Tikai Eiropas valstīm

EK atbilstības deklarācija šajā lietošanas rokasgrāmatā ir iekļauta kā A pielikums.

DROŠĪBAS BRĪDINĀJUMI

Vispārīgi elektrisko darbarīku drošības brīdinājumi

▲BRĪDINĀJUMS: Izlasiet visus drošības brīdinājumus, instrukcijas, apskatiet ilustrācijas un tehniskos datus, kas iekļauti mehanizētā darbarīka komplektācijā. Ja netiek ievēroti visi tālāk minētie noteikumi, var tikt izraisīta elektrotrauma, notikt aizdegšanās un/vai rasties smagas traumas.

Glabājiet visus brīdinājumus un norādījumus, lai varētu tajos ieskatīties turpmāk.

Termiņš „elektrisks darbarīks” brīdinājumus attiecas uz tādu elektrisko darbarīku, ko darbina ar elektrību (ar vadu), vai tādu, ko darbina ar akumulatoru (bez vada).

Elektriskā vesera drošības brīdinājumi

1. Izmantojiet ausu aizsargus. Troksnis var izraisīt dzirdes zudumu.
2. Izmantojiet ar darbarīku piegādātos papildu rokturus. Zaudējot kontroli, var tikt gūtas traumas.
3. Veicot darbu, turiet mehanizēto darbarīku aiz izolētajām satveršanas virsmām, ja griešanas instruments varētu saskarties ar apslēptu elektroinstalāciju vai ar savu vadu. Griezējinstrumentam saskaroties ar kabeli zem sprieguma, spriegums var tikt pārņemts uz elektriskā mehanizētā darbarīka metāla daļām un radīt operatoram elektrotraumu.
4. Izmantojiet aizsargķiveri, aizsargbrilles un/ vai sejas aizsargu. Parastās brilles vai saulesbrilles NAV aizsargbrilles. Noteikti ieteicams izmantot arī putekļu masku un biezus, polsterētus cimdus.

5. Pirms sākt darbu pārbaudiet, vai uzgalis ir nostiprināts.
6. Parastas darbības laikā darbarīks rada vibrāciju. Skrūves var viegli atskrūvēties, izraisot bojājumus vai negadījumu. Pirms sākt darbu rūpīgi pārbaudiet skrūvju pievilkumu.
7. Aukstā laikā vai tad, ja darbarīku neesat izmantojis ilgu laiku, ļaujiet darbarīkam nedaudz iesilt, darbinot to bez slodzes. Tas sasildīs ziežvielas darbarīkā. Bez pienācīgas iesildīšanas būs grūti veikt kaļšanu.
8. Vienmēr nodrošiniet stabilu pamatu kājām. Ja lietojat darbarīku, strādājot lielā augstumā virs zemes, pārliecinieties, ka apakšā neviena nav.
9. Turiet darbarīku cieši ar abām rokām.
10. Netuviniet rokas kustīgajām daļām.
11. Neatstājiet darbarīku ieslēgtu. Darbiniet darbarīku vienīgi tad, ja turat to rokās.
12. Iedarbinātū darbarīku nevērsiet pret tuvumā esošiem cilvēkiem. Uzgalis var tikt izsviests un radīt smagu traumu.
13. Tūlīt pēc darbarīka lietošanas nepieskarieties uzgalim, uzgaļa vai apstrādājamā materiāla tuvumā esošām daļām, jo daļas var būt ļoti karstas un apdedzināt ādu.
14. Daži materiāli satur ķīmiskas vielas, kuras var būt toksiskas. Izvairieties no putekļu ieelpošanas un to nokļūšanas uz ādas. Ievērojiet materiāla piegādātāja drošības datus.
15. Ar mitrām rokām nepieskarieties strāvas vada kontaktdakšai.
16. Pirms darba sākšanas pārliecinieties, vai darba zonā nav apslēptu objektu, piemēram, elektroizolācijas caurules, ūdens caurules vai gāzes caurules. Citādi darbarīka uzgalis var ar tiem saskarties, izraisot elektriskās strāvas triecienu, strāvas noplūdi vai gāzes noplūdi.
17. Lieki nedarbiniet darbarīku bez slodzes.

SAGLABĀJIET ŠOS NORĀDĪJUMUS.

▲BRĪDINĀJUMS: NEPIEĻAUJIET to, ka labu iemaņu vai izstrādājuma labas pārzināšanas (darbarīku atkārtoti ekspluatējot) rezultātā vairs stingri neievērojāt šī izstrādājuma drošības noteikumus. NEPAREIZI LIETOJOT darbarīku vai neievērojot šajā instrukcijā rokasgrāmatā minētos drošības noteikumus, var tikt gūtas smagas traumas.

FUNKCIJU APRAKSTS

▲UZMANĪBU: Pirms regulējat vai pārbaudāt darbarīka darbību, vienmēr pārliedcinieties, ka darbarīks ir izslēgts un atvienots no barošanas.

Slēdža darbība

▲UZMANĪBU: Pirms darbarīka pievienošanas barošanas avotam, vienmēr pārbaudiet, vai slēdzis darbojas pareizi un atgriežas stāvoklī „OFF” (izslēgts).

▲UZMANĪBU: Slēdzi var fiksēt stāvoklī “ON” (ieslēgts), lai atvieglotu operatora darbu, strādājot ilgstoši. Esiet uzmanīgs, fiksējot darbarīka slēdzi stāvoklī „ON” (ieslēgts); stingri turiet darbarīku.

Lai iedarbinātu darbarīku, nospiediet slēdža sviru „ON (I)” darbarīka kreisajā pusē. Lai apturētu darbarīku, nospiediet slēdža sviru „OFF (O)” darbarīka labajā pusē.

► **Att.1:** 1. Slēdža svira

Indikatora lampiņa

Kad darbarīks ir pievienots barošanas avotam, iedegas zaļā IESLĒGTAS barošanas indikatora lampiņa.

Ja indikatora lampiņa neiedegas, iespējams, ir bojāts strāvas vads vai regulators.

Ja indikatora lampiņa deg, taču darbarīks nesāk darboties, pat ja tas ir ieslēgts, iespējams, ir nolietojušās ogles sukas vai var būt bojāts regulators, motors vai slēdzis.

Apkopes indikatora lampiņa mirgo sarkanā krāsā, kad ogles sukas ir gandrīz nolietojušās, norādot, ka darbarīkam ir nepieciešama apkope.

Pēc apmēram 8 ekspluatācijas stundām motors automātiski izslēdzas.

► **Att.2:** 1. Indikatora lampiņa - barošana IESLĒGTA (zaļa) 2. Ekspluatācijas indikatora lampiņa (sarkana)

Elektronika

Lai atvieglotu lietošanu, darbarīks ir aprīkots ar elektroniskām funkcijām.

- Laidena rotācija bez slodzes (Tikai modeļiem HM1511, HM1512)
Sitienu skaits minūtē bez slodzes ir mazāks nekā ar slodzi, lai samazinātu vibrācijas bez slodzes, taču tas neliecina par problēmām.
Tiklīdz sākas darbība un uzgalis pieskaras betonam, sitienu skaits minūtē palielinās.
Kad temperatūra ir zema, šī darbarīka funkcija var nedarboties pat tad, kad darbojas motors.
- Laidena ieslēgšana
Laidenas ieslēgšanas funkcija mazina iedarbināšanas triecienu, un ierīce uzsāk darbību vienmērīgi.

MONTĀŽA

▲UZMANĪBU: Vienmēr pārliedcinieties, ka darbarīks ir izslēgts un atvienots no barošanas, pirms veicat jebkādas darbības ar darbarīku.

Sānu rokturis (palīgrokturis)

▲UZMANĪBU: Lai darbu veiktu droši, vienmēr izmantojiet sānu rokturi.

▲UZMANĪBU: Pēc sānu roktura uzstādīšanas vai regulēšanas pārliedcinieties, ka tas ir stingri nostiprināts.

Sānu rokturi var pagriezt par 360° pa vertikālo plakni un nostiprināt jebkurā vēlamajā pozīcijā.

Atskrūvējiet stiprinājuma uzgriezni, lai varētu pavirzīt sānu rokturi vēlamajā pozīcijā, un tad atkal pievelciet stiprinājuma uzgriezni.

► **Att.3:** 1. Sānu rokturis 2. Stiprinājuma uzgrieznis

Uzgaļa uzstādīšana vai noņemšana

Eļļošana

Notīriet skrāpja uzgaļa kāta galu un pirms skrāpja uzgaļa uzstādīšanas uzklājiet smērvielu.

Pirms lietošanas uzklājiet nelielu daudzumu smērvielas (aptuveni 0,5 g–1 g) uz skrāpja kāta gala. Šādi ieeļļojot spīļpatronu, darbība būs vienmērīga un ekspluatācijas laiks palielināsies.

► **Att.4:** 1. Kāta gals 2. Eļļošana

Uzgaļa uzstādīšana

▲UZMANĪBU: Kad ir paveikta iepriekš minētā procedūra, mēģinot uzgali izvilkt no darbarīka turekļa, vienmēr pārliedcinieties, vai tas ir cieši nostiprināts.

Tikai modeļiem HM1511, HM1501

Pavērsiet uzgaļa kāta ieroboto daļu pret darbarīka aizturi un ievietojiet uzgali iespējami tālu darbarīka turētājā. Tad izvelciet un pagrieziet darbarīka aizturi par 180°, lai nostiprinātu uzgali.

► **Att.5:** 1. Urbis 2. Darbarīka aizturis 3. Darbarīka tureklis

Tikai modeļiem HM1512, HM1502

Šajā darbarīkā var izmantot uzgaļus ar uzmavām uz to kātiem un bez tām.

► **Att.6:** 1. Uzgalis ar uzmavu 2. Uzgalis bez uzmavas

Lai uzstādītu uzgali, veiciet turpmāk aprakstīto procedūru (1) vai (2).

IEVĒRĪBAI: Ja uzgalim nav uzmavas, to nevar nostiprināt, izpildot procedūru (1).

(1) Uzgaļiem ar uzmavu

Sasveriet darbarīka aizmuri, kā parādīts attēlā. Ievietojiet uzgali iespējami tālu darbarīka turētājā.

Uzgaļa ievietošana

► **Att.7:** 1. Urbis 2. Darbarīka aizturis 3. Darbarīka tureklis

Lai nostiprinātu uzgali, atgrieziet darbarīka aizmuri, kā parādīts attēlā.

Ja uzgalis ir nostiprināts

► **Att.8:** 1. Urbis 2. Darbarīka aizturis

(2) Uzgaļiem bez uzmavas

Sasveriet darbarīka aizmuri, kā parādīts attēlā. Pavērsiet uzgaļa ieroboto daļu pret darbarīka aiztura vārpstu un ievietojiet uzgali iespējami tālu darbarīka turētājā.

Uzgaļa ievietošana

► **Att.9:** 1. Urbis 2. Darbarīka aizturis 3. Darbarīka tureklis

Lai nostiprinātu uzgali, sasveriet darbarīka aizmuri, kā parādīts attēlā.

Ja uzgalis ir nostiprināts

► **Att.10:** 1. Urbis 2. Darbarīka aizturis

Uzgaļa noņemšana

Lai noņemtu uzgali, izpildiet iepriekš aprakstīto uzstādīšanas procedūru apgrieztā secībā.

Putekļu savācējs

Papildpiederumi

Putekļu savācējs ir paredzēts aizpūsto putekļu un daļiņu daudzuma mazināšanai, kaļot keramisku materiālu, piemēram, betonu.

1. Uzstādiet šļūtenes turētāju (A).

Izskrūvējiet stiprinājuma uzgriezni un tad izņemiet sešstūru skrūvi. Piestipriniet šļūtenes turētāju (A) starp sešstūru skrūvi un stiprinājuma uzgriezni, cieši pievelkot stiprinājuma uzgriezni.

► **Att.11:** 1. Sešstūru skrūve 2. Šļūtenes turētājs (A) 3. Stiprinājuma uzgrieznis

2. Piestipriniet caurules turētāju (C) pie vada aizsarga.

► **Att.12:** 1. Vada aizsargs 2. Šļūtenes turētājs (C)

3. Piestipriniet putekļu aizsargu un šļūteni darbarīkam un tad ievietojiet šļūteni turētājos.

► **Att.13:** 1. Putekļu aizsargs 2. Šļūtene 3. Šļūtenes turētājs (A) 4. Šļūtenes turētājs (C)

4. Savienojiet šļūteni ar putekļu sūcēja šļūteni, izmantojot šļūtenju savienotāju.

PIEZĪME: Ja šļūtene nav iekļauta komplektā, piestipriniet putekļu aizsargu pie putekļu sūcēja savienotāja vai pie „Makita” ø28 šļūtenes.

5. Noregulējiet attālumu starp putekļu aizsargu un kalta vai punktsiņa galu.

Ja izmantojat pašasinošu punktsiti, noregulējiet putekļu aizsargu tā, lai tas neaizsegta pašasinošā punktsiņa rievu.

Visiem citiem uzgaļiem (tiem, kas nav pašasinoši) ieteicamais attālums ir 30 mm–100 mm.

► **Att.14:** 1. Rieva 2. 30–100 mm

EKSPLUATĀCIJA

⚠UZMANĪBU: Darba laikā vienmēr izmantojiet sānu rokturi (palīgrokturi) un stingri turiet darbarīku aiz abiem sānu rokturiem un slēdža roktura.

⚠UZMANĪBU: Pirms darba sākšanas vienmēr pārļiecinieties, ka apstrādājamais materiāls ir nostiprināts. Ja apstrādājamais materiāls nav pietiekami nostiprināts, tas var izkustēties un radīt traumas.

⚠UZMANĪBU: Nevelciet darbarīku ārā ar spēku pat tad, ja iesprūst uzgalis. Zaudējot kontroli, ir iespējams radīt ievainojumus.

⚠UZMANĪBU: Neatstājiet darbarīku iedzītu apstrādājamajā materiālā. Citādi darbarīks var sākt darboties nejausi un radīt traumas.

Atšķelšana/materiālu noņemšana/ nojaukšana

Turiet darbarīku cieši ar abām rokām. Ieslēdziet darbarīku un nedaudz uzspiediet uz tā, lai darbarīks nekontrolēti neatlēktu visapkārt. Darbarīka efektivitāte nepalielināsies, ja ļoti stingri spiedīsiet uz tā.

► **Att.15**

APKOPE

⚠UZMANĪBU: Pirms pārbaudes vai apkopes vienmēr pārļiecinieties, vai darbarīks ir izslēgts un atvienots no strāvas avota.

IEVĒRĪBA! Nekad neizmantojiet gazoļinu, benzīnu, atšķaidītāju, spirtu vai līdzīgus šķidrumus. Tas var radīt izbalēšanu, deformāciju vai plaisas.

Lai saglabātu izstrādājuma DROŠU un UZTICAMU darbību, remontdarbus, apkopi un regulēšanu uzticiet veikt tikai Makita pilnvarotam vai rūpnīcas apkopes centram, un vienmēr izmantojiet tikai Makita rezerves daļas.

Elļošana

⚠UZMANĪBU: Šī apkope jāveic tikai Makita pilnvarotiem apkopes centriem.

Šim darbarīkam nav nepieciešama elļošana ik stundu vai ik dienu, jo tam ir smērvielas aptveres elļošanas sistēma. Ir jāveic regulāra atkārtota elļošana. Nosūtiet visu darbarīku uz Makita pilnvarotu vai rūpnīcas apkopes centru, lai tur to ieeļļotu.

PAPILDU PIEDERUMI

⚠ UZMANĪBU: Šādi piederumi un papildierīces tiek ieteiktas lietošanai ar šajā rokasgrāmatā aprakstīto Makita darbarīku. Izmantojot citus piederumus vai papildierīces, var tikt radīta traumu gūšanas bīstamība. Piederumu vai papildierīci izmantojiet tikai paredzētajam mērķim.

Ja jums vajadzīga palīdzība vai precīzāka informācija par šiem piederumiem, vērsieties savā tuvākajā Makita apkopes centrā.

- Punktsitis
- Metāla kalts
- Materiālu noņemšanas kalts
- Māla lāpsta
- Bliete
- Uzgaļu smērviela
- Putekļu savācējs
- Aizsargbrilles
- Āmura turētājs

PIEZĪME: Daži sarakstā norādītie izstrādājumi var būt iekļauti instrumenta komplektācijā kā standarta piederumi. Tie dažādās valstīs var būt atšķirīgi.

SPECIFIKACIJOS

Modelis:	HM1511	HM1501	HM1512	HM1502
Smūgių per minutę	1 300 min ⁻¹			
Bendrasis ilgis	781 mm		809 mm	
Grynasis svoris	19,2 kg	18,4 kg	20,4 kg	19,7 kg
Saugos klasė	II/III			
Švelnaus sukimosi be apkrovos funkcija	✓	-	✓	-

- Atlikame tęsinius tyrimus ir nuolatos tobuliname savo gaminius, todėl čia pateikiamos specifikacijos gali būti keičiamos be įspėjimo.
- Skirtingose šalyse specifikacijos gali skirtis.
- Svoris gali priklausyti nuo priedo (-ų). Lengviausias ir sunkiausias deriniai pagal EPTA 2014 m. sausio mėn. procedūrą yra nurodyti lentelėje.

Numatytoji naudojimo paskirtis

Šis įrankis yra skirtas betono, plytų, akmenų ir asfalto kirtimo darbams, taip pat, naudojant reikiamus priedus, – kalti ir tankinti.

Elektros energijos tiekimas

Įrenginiui turi būti tiekiami tokios įtampos elektros energija, kaip nurodyta duomenų lentelėje; įrenginys veikia tik su vienfazė kintamąja srove. Jie yra dvigubai izoliuoti, todėl gali būti naudojami prijungus prie elektros lizdo be žemėjimo laido.

Triukšmas

Įprastas triukšmo A lygis, nustatytas pagal EN60745-2-6:

Modelis HM1511

Garso slėgio lygis (L_{pA}): 85 dB (A)
Garso galios lygis (L_{WA}): 105 dB (A)
Paklaida (K): 1,57 dB (A)

Modelis HM1501

Garso slėgio lygis (L_{pA}): 84 dB (A)
Garso galios lygis (L_{WA}): 104 dB (A)
Paklaida (K): 2,02 dB (A)

Modelis HM1512

Garso slėgio lygis (L_{pA}): 84 dB (A)
Garso galios lygis (L_{WA}): 104 dB (A)
Paklaida (K): 1,76 dB (A)

Modelis HM1502

Garso slėgio lygis (L_{pA}): 85 dB (A)
Garso galios lygis (L_{WA}): 105 dB (A)
Paklaida (K): 1,79 dB (A)

PASTABA: Paskelbta (-os) triukšmo reikšmė (-ės) nustatyta (-os) pagal standartinį testavimo metodą ir jį galima naudoti vienam įrankiui palyginti su kitu.

PASTABA: Paskelbta (-os) triukšmo reikšmė (-ės) taip pat gali būti naudojama (-os) norint preliminariai įvertinti triukšmo poveikį.

ĮSPĖJIMAS: Dėvėkite ausų apsaugą.

ĮSPĖJIMAS: Faktiškai naudojant elektrinį įrankį, keliamo triukšmo dydis gali skirtis nuo paskelbtos (-ų) reikšmės (-ių), priklausomai nuo būdų, kuriais yra naudojamas šis įrankis, ir ypač nuo to, kokio tipo ruošinys apdirbamas.

ĮSPĖJIMAS: Siekiami apsaugoti operatorių, būtinai įvertinkite saugos priemones, remdamiesi vibracijos poveikio įvertinimu esant faktinėms naudojimo sąlygoms (atsižvelgdami į visas darbo ciklo dalis, pavyzdžiui, ne tik kiek laiko įrankis veikia, bet ir kiek kartų jis yra išjungiamas bei kai jis veikia be apkrovų).

Vibracija

Vibracijos bendroji vertė (triašio vektoriaus suma) nustatyta pagal EN60745-2-6 standartą:

Modelis HM1511

Darbo režimas: kalimas
Vibracijų intensyvumas ($a_{h, Cheq}$): 6,5 m/s²
Paklaida (K): 1,5 m/s²

Modelis HM1501

Darbo režimas: kalimas
Vibracijos emisija ($a_{h, ID}$): 14,5 m/s²
Paklaida (K): 1,5 m/s²

Modelis HM1512

Darbo režimas: kalimas
Vibracijos emisija ($a_{h, ID}$): 6,5 m/s²
Paklaida (K): 1,5 m/s²

Modelis HM1502

Darbo režimas: kalimas
Vibracijos emisija ($a_{h, ID}$): 14,5 m/s²
Paklaida (K): 1,5 m/s²

PASTABA: Paskelbta (-os) vibracijos bendroji (-osios) reikšmė (-ės) nustatyta (-os) pagal standartinį testavimo metodą ir jį galima naudoti vienam įrankiui palyginti su kitu.

PASTABA: Paskelbta (-os) vibracijos bendroji (-osios) reikšmė (-ės) taip pat gali būti naudojama (-os) norint preliminariai įvertinti vibracijos poveikį.

⚠️ ĮSPĖJIMAS: Faktiškai naudojant elektrinį įrankį, keliamos vibracijos dydis gali skirtis nuo paskelbtos (-ų) reikšmės (-ių), priklausomai nuo būdų, kuriais yra naudojamas šis įrankis, ir ypač nuo to, kokio tipo ruošinys apdirbamas.

⚠️ ĮSPĖJIMAS: Siekdami apsaugoti operatorių, būtina įvertinti saugos priemones, remdamesi vibracijos poveikio įvertinimu esant faktinėms naudojimo sąlygoms (atsižvelgdami į visas darbo ciklo dalis, pavyzdžiui, ne tik kiek laiko įrankis veikia, bet ir kiek kartų jis yra išjungiamas bei kai jis veikia be apkrovų).

EB atitikties deklaracija

Tik Europos šalis

EB atitikties deklaracija yra pridama kaip šio instrukcijų vadovo A priedas.

SAUGOS ĮSPĖJIMAI

Bendrieji įspėjimai dirbant elektriniais įrankiais

⚠️ ĮSPĖJIMAS: Perskaitykite visus saugos įspėjimus, instrukcijas, iliustracijas ir techninius duomenis, pateiktus kartu su šiuo elektriniu įrankiu. Nesilaikant visų toliau išvardytų instrukcijų galima patirti elektros smūgį, gali kilti gaisras ir (arba) galima sunkiai susižaloti.

Išsaugokite visus įspėjimus ir instrukcijas, kad galėtumėte jas peržiūrėti ateityje.

Terminas „elektrinis įrankis“ pateiktuose įspėjimuose reiškia į maitinimo tinklą jungiamą (laidinį) elektrinį įrankį arba akumulatoriaus maitinamą (belaidį) elektrinį įrankį.

Saugos įspėjimai dėl atskėlimo plaktuko

1. Naudokite klausos apsaugines priemones. Nuo triukšmo galima prarasti klausą.
2. Naudokite su įrankiu pridėtą išorinę rankeną (rankenas). Nesuvaldžius įrankio, galima susižeisti.
3. Atlikdami darbus, kurių metu pjovimo antgalis galėtų užkliudyti nematomą laidą arba savo paties laidą, laikykite elektrinius įrankius už izoliuotų paviršių. Pjovimo antgaliui prisilietus prie laido, kuriuo teka elektros srovė, neizoliuotos metalinės elektrinio įrankio dalys gali sukelti elektros smūgį ir nutrenkti operatorių.
4. Užsidėkite kietą galvos apdangalą (apsauginį šalmą), apsauginius akinius ir (arba) veido skydelį. Įprastiniai akiniai ar akiniai nuo saulės NĖRA apsauginiai akiniai. Taip pat primygtinai rekomenduojama užsidėti kaukę, saugančią nuo dulkių, ir pirštines su storu pamušalu.

5. Prieš pradėdami dirbti įsitikinkite, kad grąžtas tinkamai įtvirtintas.
6. Įprastai naudojant įrankį, jis vibruoja. Varžtai gali lengvai atsisukti, o tai gali tapti gedimo arba nelaimingo atsitikimo priežastimi. Prieš pradėdami dirbti atidžiai patikrinkite, ar varžtai gerai priveržti.
7. Šaltu oru, arba jei įrankiu nesinaudojote ilgą laiką, leiskite įrankiui šiek tiek išilti naudodami jį be apkrovos. Tada tepalas suminkštės. Tinkamai neįšildžius įrankio, bus sunku kalti.
8. Būtina įsitikinkite, kad tvirtai stovite. Jei naudojate įrankį aukštai, įsitikinkite, ar apačioje nėra žmonių.
9. Laikykite įrankį tvirtai už abiejų rankenų.
10. Žiūrėkite, kad rankos būtų kuo toliau nuo judamųjų dalių.
11. Nepalikite veikiančio įrankio. Naudokite įrankį tik laikydamis rankomis.
12. Dirbdami nenukreipkite veikiančio įrankio į žmones. Kalamasis grąžtas gali išlėkti ir ką nors sunkiai sužeisti.
13. Nelieskite grąžto, šalia esančių dalių arba ruošinio iškart po naudojimo; jie gali būti itin karšti ir nudeginti odą.
14. Kai kuriose medžiagose esama cheminių medžiagų, kurios gali būti nuodingos. Saugokitės, kad neįkvėptumėte dulkių ir nesiliestumėte oda. Laikykites medžiagų tiekėjo saugos duomenų.
15. Nelieskite maitinimo kištuko drėgnomis rankomis.
16. Prieš darbą įsitikinkite, kad darbinėje zonoje nėra paslėptų objektų, pvz., elektros laidų, vandens ar dujų vamzdžių. Kitaip grąžtas gali juos paliesti ir sukelti elektros smūgį, elektros nuotėkį ar dujų nuotėkį.
17. Be reikalo nenaudokite įrankio be apkrovos.

SAUGOKITE ŠIAS INSTRUKCIJAS.

⚠️ ĮSPĖJIMAS: NELEISKITE, kad patogumas ir gaminio pažinimas (įgyjamas pakartotinai naudojant) susilpnintų griežtą saugos taisyklių, taikytinų šiam gaminiui, laikymąsi. Dėl NETINKAMO NAUDOJIMO arba saugos taisyklių, kurios pateiktos šioje instrukcijoje, nesilaikymo galima rimtai susižeisti.

VEIKIMO APRAŠYMAS

▲ PERSPĖJIMAS: Prieš pradėdami reguliuoti arba tikrinti įrankio veikimą, visuomet būtinai išjunkite įrankį ir atjunkite jį nuo maitinimo tinklo.

Jungiklio veikimas

▲ PERSPĖJIMAS: Prieš jungdami įrenginį, visada patikrinkite, ar svirtinis jungiklis tinkamai įsijungia, o atleistas sugrįžta į išjungimo padėtį „OFF“.

▲ PERSPĖJIMAS: Kai įrankis naudojamas ilgą laiką tarpą, operatoriaus patogumui jungiklį galima užfiksuoti „ON“ (jungta) padėtyje. Būkite atsargūs, užfiksuodami įrankį „ON“ (jungta) padėtyje ir tvirtai laikykite įrankio rankena.

Norėdami įjungti įrankį, spauskite kairiąją svirtinio mygtuko dalį „ON (I)“. Norėdami išjungti įrankį, spauskite dešiniąją svirtinio mygtuko dalį „OFF (O)“.

► **Pav.1:** 1. Svirtinis jungiklis

Indikatoriaus lemputė

Ijungus įrankį, užsidega žalia įjungimo („ON“) indikatoriaus lemputė.

Jeigu indikatoriaus lemputė neužsidega, gali būti nutrūkęs maitinimo laidas arba sugedęs reguliatorius.

Indikatoriaus lemputė užsidega, bet įrankis neįsijungia net ir paspaudus įjungimo mygtuką; gali būti susidėvėję angliniai šepetėliai, perdegusi indikatorinė lemputė, sugedęs variklis arba neveikia jungiklis.

Lemputė pradeda žybcioti raudonai tada, kai angliniai šepetėliai yra beveik susidėvėję, taip įspėdama, kad būtina atlikti techninę įrankio priežiūrą.

Po maždaug 8 valandų naudojimo variklis automatiškai išsijungia.

► **Pav.2:** 1. Indikatoriaus lemputė, rodanti, kad įrankis veikia (žalia) 2. Techninio aptarnavimo primimo indikatoriaus lemputė (raudona)

Elektroninė funkcija

Prietaise yra elektroninė funkcija paprastam naudojimui.

- Švelnaus sukimosi be apkrovos funkcija (Taikoma tik HM1511, HM1512 modeliams) Smūgiai per minutę įrankiui veikiant be apkrovos yra mažesni nei įrankiui veikiant su apkrova, norint, kad įrankiui veikiant be apkrovos vibracija būtų mažesnė – tai normalu ir nėra gedimas. Atrėmus antgalį į betoną ir pradėjus darbą, smūgiai per minutę padidėja. Esant žemai temperatūrai, įrankis gali nevykdyti šios funkcijos net ir tada, kai variklis veikia.
- Švelnus paleidimas Švelnaus paleidimo funkcija iki minimumo sumažina paleidimo smūgį ir leidžia sklandžiai paleisti mašiną.

SURINKIMAS

▲ PERSPĖJIMAS: Prieš ką nors darydami su įrankiu, visada patikrinkite, ar jis išjungtas, o laido kištukas ištrauktas iš elektros lizdo.

Šoninė rankena (papildoma rankena)

▲ PERSPĖJIMAS: Visada naudokitės šonine rankena, kad užtikrintumėte darbo saugą.

▲ PERSPĖJIMAS: Sumontavę arba reguliuodami šoninę rankeną patikrinkite, ar ji tvirtai pritvirtinta.

Šią šoninę rankeną galima vertikaliai sukti 360° kampų ir užtvirtinti į bet kurią norimą padėtį.

Atlaisvinkite suveržimo veržlę šoninei rankenai pasukti į norimą padėtį, tada gerai užveržkite suveržimo veržlę.

► **Pav.3:** 1. Šoninė rankena 2. Suveržimo veržlė

Gražto įdėjimas arba išėmimas

Tepalas

Nuvalykite antgalio gražto galvutę ir sutepkite prieš įdėdami antgalį.

Antgalio gražto galvutę iš anksto ištepkite nedideliu gražto tepalo kiekiu (maždaug 0,5 g–1 g). Jeigu kumštelinis griebtuvas šitaip tepamas bus nuolatos, įrenginys sklandžiai veiks ir jį bus galima eksploatuoti kur kas ilgiau.

► **Pav.4:** 1. Gražto galvutė 2. Tepalas

Gražto įtvirtinimas

▲ PERSPĖJIMAS: Atlikę anksčiau aprašytą procedūrą, visuomet patikrinkite, ar antgalis saugiai įtvirtintas, pabandydami ištraukti jį iš įrankio laikiklio.

Taikoma tik HM1511, HM1501 modeliams

Nukreipę rantytą gražto jungiamojo galo dalį įrankio fiksatoriaus link, iki galo įkiškite gražtą į įrankio laikiklį. Po to patraukite už jo ir pasukite įrankio fiksatorių 180° kampu, kad gražtas užsifikuotų.

► **Pav.5:** 1. Gražtas 2. Įrankio stabdiklis 3. Įrankio laikiklis

Taikoma tik HM1512, HM1502 modeliams

Šiame įrankyje galima montuoti antgalius, ant kurių jungiamojo galo yra žiedas arba jo nėra.

► **Pav.6:** 1. Gražtas su žiedu 2. Gražtas be žiedo Norėdami sumontuoti antgalį, atlikite vieną iš toliau aprašytų procedūrų - (1) arba (2).

PASTABA: Gražto be žiedo negalima užfiksuoti atliekant procedūrą (1).

(1) Antgaliams su žiedu

Pasukite įrankio laikiklį, kaip parodyta paveikslėlyje. Kiškite gražtą į įrankio laikiklį tiek, kiek jis lenda.

Įkišant gražtą

► **Pav.7:** 1. Gražtas 2. Įrankio stabdiklis 3. Įrankio laikiklis

Norėdami pritvirtinti gražtą, gražinkite įrankio laikiklį, kaip parodyta paveikslėlyje.

Kai gražtas užfiksuotas

► **Pav.8:** 1. Gražtas 2. Įrankio stabdiklis

(2) Gražtams be žiedo

Pasukite įrankio laikiklį, kaip parodyta paveikslėlyje. Nukreipę rautytą gražto dalį įrankio fiksatoriaus link, iki galo įkiškite gražtą į įrankio laikiklį.

Įkišant gražtą

► **Pav.9:** 1. Gražtas 2. Įrankio stabdiklis 3. Įrankio laikiklis

Norėdami pritvirtinti gražtą, pasukite įrankio laikiklį, kaip parodyta paveikslėlyje.

Kai gražtas užfiksuotas

► **Pav.10:** 1. Gražtas 2. Įrankio stabdiklis

Gražto išėmimas

Jei norite nuimti antgalį, laikykites uždėjimo procedūros atvirkščia tvarka.

Dulkių ištraukimo priedas

Pasirenkamasis priedas

Dulkių ištraukimo priedas skirtas sumažinti kalant keramikinę medžiagą, pvz., betoną, nupūstų dulkių ir dalelių kiekį.

1. Sumontuokite žarnos laikiklį (A).

Atlaisvinkite suveržimo veržlę ir išsukite šešiakampį varžtą. Įtvirtinkite žarnos laikiklį (A) tarp šešiakampio varžto ir suveržimo veržlės, tvirtai užverždami suveržimo veržlę.

► **Pav.11:** 1. Šešiakampis varžtas 2. Žarnos laikiklis (A) 3. Suveržimo veržlė

2. Uždėkite žarnos laikiklį (C) ant apsauginio laido įtaiso.

► **Pav.12:** 1. Apsauginis laido įtaisas 2. Žarnos laikiklis (C)

3. Pritvirtinkite dangtelį nuo dulkių ir žarną prie įrankio, tada fiksukite žarną prie jos laikiklių.

► **Pav.13:** 1. Dangtelis nuo dulkių 2. Žarna 3. Žarnos laikiklis (A) 4. Žarnos laikiklis (C)

4. Prijunkite žarną prie vakuuminio valymo įrenginio žarnos su žarnos jungtimi.

PASTABA: Jei žarnos komplekte nėra, pritvirtinkite dangtelį nuo dulkių prie valymo įrenginio jungties arba ją tvirtinkite prie „Makita“ Ø28 dydžio žarnos.

5. Pakoreguokite atstumą tarp dangtelio nuo dulkių ir kalto arba piramidinio kalto galiuko.

Kai naudojamas savaime pasigalandantis piramidinis kaltas, pakoreguokite dangtelį nuo dulkių taip, kad nebūtų uždengti savaime pasigalandančio piramidinio kalto grioveliai.

Kai naudojamas ne savaime pasigalandantis piramidinis kaltas, rekomenduojamas atstumas yra nuo 30 mm iki 100 mm.

► **Pav.14:** 1. Griovelis 2. 30–100 mm

NAUDOJIMAS

▲PERSPĖJIMAS: Darbo metu visada tvirtai laikykite įrankį už šoninės (papildoma rankena) ir pagrindinės rankenų.

▲PERSPĖJIMAS: Prieš darbą visada įtvirtinkite ruošinį. Tinkamai neįtvirtinus ruošinio, jis gali judėti ir sukelti sužalojimą.

▲PERSPĖJIMAS: Netraukite įrankio jėga, net tada, kai gražtas užstringa. Nesuvaldžius įrankio, galima susižeisti.

▲PERSPĖJIMAS: Nepalikite įrankio ruošinyje. Antraip įrankis netyčia gali būti įjungtas ir sukelti sužalojimą.

Skėlimas/ nuodegų šalinimas / ardymas

Laikykite įrankį tvirtai abiem rankomis. Įjunkite įrankį ir nesmarkiai spauskite, kad jis nešokinėtų nevaldomas. Jeigu įrankį spausite labai smarkiai, darbo našumas dėl to nepadidės.

► **Pav.15**

TECHNINĖ PRIEŽIŪRA

▲PERSPĖJIMAS: Prieš pradėdami įrankio tikrinimo arba techninės priežiūros darbus, visada išjunkite įrankį ir atjunkite jį nuo maitinimo tinklo.

PASTABA: Niekada nenaudokite gazolino, benzino, tirpiklio, spirito arba panašių medžiagų. Gali atsirasti išblukimų, deformacijų arba įtrūkimų.

Kad gaminys būtų SAUGUS ir PATIKIMAS, jį taisyti, apžiūrėti ar vykdyti bet kokią kitą priežiūrą ar derinimą turi įgaliotasis kompanijos „Makita“ techninės priežiūros centras; reikia naudoti tik kompanijos „Makita“ pagamintas atsargines dalis.

Tepimas

▲PERSPĖJIMAS: Šią techninę priežiūrą turi atlikti tik bendrovės „Makita“ įgaliotasis techninės priežiūros centras.

Šio įrankio nereikia sutepti kas valandą arba kas dieną, nes jame yra tepalo pripildyta tepimo sistema. Reguliariai pakeiskite tepalus. Įrankio suteptimo techninę paslaugą atlieka įgaliotasis „Makita“ techninės priežiūros centras, į kurį ir reikia pristatyti įrankį.

PASIRENKAMI PRIEDAI

⚠ PERSPĖJIMAS: Šiuos papildomus priedus arba įtaisus rekomenduojama naudoti su šioje instrukcijoje nurodytu „Makita“ bendrovės įrankiu. Naudojant bet kokius kitus papildomus priedus arba įtaisus, gali kilti pavojus sužeisti žmones. Naudokite tik nurodytam tikslui skirtus papildomus priedus arba įtaisus.

Jeigu norite daugiau sužinoti apie tuos priedus, kreipkitės į artimiausią „Makita“ techninės priežiūros centrą.

- Piramidinis kaltas
- Šaltkalvio kaltelis
- Nuodegų šalinimo kirstukas
- Molio kastuvėlis
- Plūktuvas
- Gražto antgalio tepalas
- Dulkių ištraukimo priedas
- Apsauginiai akiniai
- Plaktuko laikiklis

PASTABA: Kai kurie sąraše esantys priedai gali būti pateikti įrankio pakuotėje kaip standartiniai priedai. Jie įvairiose šalyse gali skirtis.

TEHNILISED ANDMED

Mudel:	HM1511	HM1501	HM1512	HM1502
Löökide arv minutis	1 300 min ⁻¹			
Üldpikkus	781 mm		809 mm	
Netokaal	19,2 kg	18,4 kg	20,4 kg	19,7 kg
Ohutusklass	□/II			
Koormuseta sujuvpöörlemise funktsioon	✓	-	✓	-

- Meie pideva uuringu- ja arendusprogrammi tõttu võidakse tehnilisi andmeid muuta ilma sellest ette teatamata.
- Tehnilised andmed võivad riigiti erineda.
- Kaal võib erineda olenevalt lisaseadis(t)est. Kergeim ja raskeim kombinatsioon EPTA-protseduuri 01/2014 kohaselt on toodud tabelis.

Kavandatud kasutus

Tööriist on ette nähtud meiseldustööde tegemiseks betoonis, tellistes, kivis ja asfaldis, samuti ka kinnisvahendite paigaldamiseks koos sobivate tarvikute kasutamiseks.

Vooluvarustus

Seadet võib ühendada ainult andmesildil näidatud pingega vooluvõrku ning seda saab kasutada ainult ühefaasilisel vahelduvvoolutoitel. Seadmel on kahekordne isolatsioon ning seega võib seda kasutada ka ilma maandusjuhtmeta pistikupessa ühendatult.

Müra

Tüüpiline A-korrigeeritud müratase, määratud standardi EN60745-2-6 kohaselt:

Mudel HM1511

Helirõhutase (L_{pA}): 85 dB (A)
 Helivõimsuse tase (L_{WA}): 105 dB (A)
 Määramatus (K): 1,57 dB (A)

Mudel HM1501

Helirõhutase (L_{pA}): 84 dB (A)
 Helivõimsuse tase (L_{WA}): 104 dB (A)
 Määramatus (K): 2,02 dB (A)

Mudel HM1512

Helirõhutase (L_{pA}): 84 dB (A)
 Helivõimsuse tase (L_{WA}): 104 dB (A)
 Määramatus (K): 1,76 dB (A)

Mudel HM1502

Helirõhutase (L_{pA}): 85 dB (A)
 Helivõimsuse tase (L_{WA}): 105 dB (A)
 Määramatus (K): 1,79 dB (A)

MÄRKUS: Deklareeritud müra väärtust (väärtuseid) on mõõdetud kooskõlas standardse katsemeetodiga ning seda võib kasutada ühe seadme võrdlemiseks teisega.

MÄRKUS: Deklareeritud müra väärtust (väärtuseid) võib kasutada ka mürataseme esmaseks hindamiseks.

⚠️ HOIATUS: Kasutage kõrvakaitsmeid.

⚠️ HOIATUS: Müratase võib elektritööriista tege-
 likkuses kasutamise ajal erineda deklareeritud
 väärtus(t)est olenevalt tööriista kasutusviisidest
 ja eriti töödeldavast toorikust.

⚠️ HOIATUS: Rakendage operaatori kaitsmi-
 seks kindlasti piisavaid ohutusabinõusid, mis
 põhinevad hinnangulisel müratasemel tegelikus
 töösihtuatsioonis (võttes arvesse tööperioodi kõiki
 osasid, näiteks korrad, kui seade lülitatakse välja
 ja seade töötab tühikäigul, lisaks tööajale).

Vibratsioon

Vibratsiooni koguväärtus (kolmeteljeliste vektorite summa) määratud standardi EN60745-2-6 kohaselt:

Mudel HM1511

Töörežiim: meiseldamine
 Vibratsiooniheide ($a_{h, Cheq}$): 6,5 m/s²
 Määramatus (K): 1,5 m/s²

Mudel HM1501

Töörežiim: meiseldamine
 Vibratsiooniheide ($a_{h, ID}$): 14,5 m/s²
 Määramatus (K): 1,5 m/s²

Mudel HM1512

Töörežiim: meiseldamine
 Vibratsiooniheide ($a_{h, ID}$): 6,5 m/s²
 Määramatus (K): 1,5 m/s²

Mudel HM1502

Töörežiim: meiseldamine
 Vibratsiooniheide ($a_{h, ID}$): 14,5 m/s²
 Määramatus (K): 1,5 m/s²

MÄRKUS: Deklareeritud vibratsiooni koguväärtust (-väärtuseid) on mõõdetud kooskõlas standardse katsemeetodiga ning seda võib kasutada ühe seadme võrdlemiseks teisega.

MÄRKUS: Deklareeritud vibratsiooni koguväärtust (-väärtuseid) võib kasutada ka mürataseme esmaseks hindamiseks.

⚠️HOIATUS: Vibratsioonitase võib elektritööriista tegelikkuses kasutamise ajal erineda deklaritud väärtus(t)est olenevalt tööriista kasutusviisidest ja eriti töödeldavast toorikust.

⚠️HOIATUS: Rakendage operaatore kaitsmiseks kindlasti piisavaid ohutusabinõusid, mis põhinevad hinnangulisel müratasemel tegelikus töösihtuolukorras (võttes arvesse tööperioodi kõiki osasid, näiteks korrad, kui seade lülitatakse välja ja seade töötab tühikäigul, lisaks tööajale).

EÜ vastavusdeklaratsioon

Ainult Euroopa riikide puhul

EÜ vastavusdeklaratsioon sisaldub käesoleva juhendi Lisas A.

OHUTUSHOIATUSED

Üldised elektritööriistade ohutushoiatused

⚠️HOIATUS: Lugege läbi kõik selle elektritööriistaga kaasas olevad ohutushoiatused, juhised, joonised ja tehnilised andmed. Järgnevate juhiste eiramine võib põhjustada elektrilöögi, süttimise ja/või raske kehavigastuse.

Hoidke edaspidisteks viide- teks alles kõik hoiatused ja juhtnõud.

Hoiatustes kasutatud termini „elektritööriist“ all peetakse silmas elektriga töötavaid (juhtmega) elektritööriistu või akuga töötavaid (juhtmata) elektritööriistu.

Elektrilise lammutaja ohutushoiatused

1. **Kasutage kuulmiskaitseid.** Kokkupuude müraga võib kahjustada kuulmist.
2. **Kasutage lisakäepidet/pidemeid, kui need on tööriistadega kaasas.** Kontrolli puudumine võib põhjustada inimestele vigastusi.
3. **Hoidke elektritööriistu isoleeritud haardepindadest, kui töötate kohas, kus löiketera võib sattuda kokkupuutesse varjatud juhtmetega ja seadme enda toitejuhtmega.** Voolu all oleva juhtmega kokkupuutesse sattunud löiketera võib pingestada elektritööriista metallosi ning põhjustada kasutajale elektrilöögi.
4. **Kasutage kaitsekiivrit, kaitseprille ja/või näokaitset.** Tavalised prillid või päikesepriidid EI OLE kaitseprillid. Äärmiselt soovitatav on kasutada ka tolmu maski ja paksu polstriga kindaid.

5. Enne tööriista kasutamist kontrollige, kas otsak on oma kohale fikseeritud.
6. Tööriista tavapärase kasutamisega kaasneb vibratsioon. Kruvid võivad hõlpsalt lahti tulla, millega võib kaasneda tööriista purunemine või tööõnnetus. Enne tööriista kasutamist kontrollige hoolikalt kruvide pingutatust.
7. Külma ilma korral või siis, kui tööriista ei ole pikemat aega kasutatud, laske tööriistal mõnda aega soojeneda, kätades seda ilma koormuseta. See tõstab määrdelõhi temperatuuri. Ilma nõuetekohase soojenemiseta on löökriistade kasutamine ohtlikum.
8. Veenduge alati, et teie jalgealune oleks kindel. Kui töötate kõrguses, siis jälgige, et teist allpool ei viibiks inimesi.
9. Hoidke tööriista kindlalt kahe käega.
10. Hoidke käed liikuvatest osadest eemal.
11. Ärge jätkke tööriista käima. Käivitage tööriist ainult siis, kui hoiate seda käes.
12. Tööriista kasutamisel ärge suunake seda läheduses viibijate poole. Otsak võib välja lennata ja põhjustada raskeid vigastusi.
13. Ärge puudutage vahetult pärast tööriista kasutamist puuriotsakut, otsaku läheduses asuvaid osi ega töödeldavat detaali, sest need võivad olla väga kuumad ja nahka põletada.
14. Mõned materjalid võivad sisaldada mürgiseid aineid. Võtke meetmed tolmu sissehingamise ja nahaga kokkupuute vältimiseks. Järgige materjali tarnija ohutusteavet.
15. Ärge puudutage märgade kättega toitepistikut.
16. Enne kasutamist veenduge, et tööpiirkonnas ei oleks maa sees selliseid objekte nagu elektritoru, veetoru või gaasitoru. Muidu võib otsak nende vastu puutuda ja põhjustada elektrilööki, elektri- või gaasileket.
17. Ärge käituge tööriista tarbetult koormamata olekus.

HOIDKE JUHEND ALLES.

⚠️HOIATUS: ÄRGE UNUSTAGE järgida toote ohutusnõudeid mugavuse või toote (korduskasutamise) hea tundmise tõttu. VALE KASUTUS või kasutusjuhendi ohutuseeskirjade eiramine võib põhjustada tervisekahjustusi.

FUNKTSIONAALNE KIRJELDUS

▲ETTEVAATUST: Kandke alati hoolt selle eest, et tööriist oleks enne reguleerimist ja kontrollimist välja lülitatud ja vooluvõrgust lahti ühendatud.

Lüliti funktsioneerimine

▲ETTEVAATUST: Enne tööriista ühendamist vooluvõrku kontrollige alati, kas lüliti päästik funktsioneerib nõuetekohaselt ja liigub tagasi asendisse „OFF” (VÄLJAS).

▲ETTEVAATUST: Pikemaajalisel kasutamisel saab lüliti operaatori mugavuse huvides lukustada sisselülitatud asendisse. Tööriista lukustamisel sisselülitatud asendisse olge ettevaatlik ja hoidke tööriista kindlas haardes.

Tööriista käivitamiseks lükake tööriista vasakul pool asetsev lülituskang asendisse "ON (I)" (SISSE). Tööriista seiskamiseks lükake tööriista paremal pool asetsev lülituskang asendisse "OFF (O)" (VÄLJA).

► **Joon.1:** 1. Hooblüliti

Märgutuli

Roheline toite märgutuli põleb, kui tööriist on vooluvõrku ühendatud.

Kui märgutuli ei sütti põlema, on rike juhtmes või juhtelemendis.

Kui märgutuli süttib põlema, aga tööriist ei käivitu sisselülitamisel, võivad süsinikharjad olla kulunud või juhtelement, mootor või lüliti võivad olla rikkis.

Hoolduse märgutuli hakkab punaselt vilkuma, kui süsinikharjad on kulunud ja tööriist vajab hooldamist. Pärast umbes 8-tunnist kasutamist lülitub mootor automaatselt välja.

► **Joon.2:** 1. Toite märgutuli (roheline) 2. Hoolduse märgutuli (punane)

Elektrooniline funktsioon

Tööriist on varustatud lihtsama kasutamise jaoks elektrooniliste funktsioonidega.

- Koormuseta sujuvpöörlemise funktsioon (Ainult mudelid HM1511, HM1512)
Vibratsiooni vähendamiseks koormuseta töötamisel on löökide arv minutis koormuseta töötamisel väiksem kui koormusega töötamisel. See ei tähenda probleemi.
Kui otsak on vastu betooni ja töö käivitus, siis löökide arv minutis suureneb.
Kui temperatuur on madal, võib tööriistal nimetatud funktsioon puududa, isegi kui mootor pöörleb.
- Sujuvkäivitus
Sujuvkäivituse funktsioon minimeerib käivitamisel tagasilööki ja võimaldab masinal sujuvalt käivituda.

KOKKUPANEK

▲ETTEVAATUST: Enne tööriistal mingite tööde tegemist kandke alati hoolt selle eest, et see oleks välja lülitatud ja vooluvõrgust lahti ühendatud.

Külgkäepide (abipide)

▲ETTEVAATUST: Tööohutuse tagamiseks kasutage alati külgkäepidet.

▲ETTEVAATUST: Kontrollige alati pärast külgkäepideme paigaldamist või reguleerimist, kas külgkäepide on korralikult fikseeritud.

Külgkäepidet saab keerata vertikaalsuunas 360° ulatuses ja fikseerida mistahes soovitud asendisse. Vabastage fiksaatormutter, et viia külgkäepide soovitud asendisse, ja pingutage fiksaatormutter uuesti korralikult kinni.

► **Joon.3:** 1. Külgkäepide 2. Fiksaatormutter

Otsaku paigaldamine või eemaldamine

Määrimine

Puhastage otsaku varrepoolne osa ja kandke enne otsaku paigaldamist sellele määrdeõli. Enne kasutamist katke otsaku varrepoolne osa väikese koguse määrdega (umbes 0,5 g–1 g). Padruni määrimine kindlustab sujuva töö ja pikema kasutusea.

► **Joon.4:** 1. Varrepoolne ots 2. Määrimine

Otsaku paigaldamine

▲ETTEVAATUST: Pärast eespool kirjeldatud protseduuri läbiviimist veenduge alati, et otsak on korralikult fikseeritud, püüdes seda tööriista hoidikust välja tõmmata.

(Ainult mudelid HM1511, HM1501)

Hoides otsakuvarre sälguga osa suunaga tööriista fiksaatori poole, torgake otsak võimalikult sügavale tööriista hoidikusse. Seejärel tõmmake välja ja pöörake tööriista hoidikut otsaku fikseerimiseks 180° võrra.

► **Joon.5:** 1. Otsak 2. Tööriista fiksaator 3. Tööriista hoidik

(Ainult mudelid HM1512, HM1502)

Käesolev tööriist võimaldab kasutada otsakuid, mille tüvi on kaelusega või ilma.

► **Joon.6:** 1. Kaelusega otsak 2. Ilma kaeluseta otsak

Otsaku paigaldamiseks järgige allpool kirjeldatud protseduuri (1) või (2).

TÄHELEPANU: Kaeluseta otsakut ei saa protseduuri (1) abil fikseerida.

(1) Kaelusega otsakud

Pöörake tööriista fiksaatorit, nagu joonisel näidatud. Sisestage otsak võimalikult sügavale tööriista hoidikusse.

Otsaku sisestamine

► **Joon.7:** 1. Otsak 2. Tööriista fiksaator 3. Tööriista hoidik

Otsaku fikseerimiseks lükake tööriista fiksaator tagasi, nagu joonisel näidatud.

Kui otsak on fikseeritud

► **Joon.8:** 1. Otsak 2. Tööriista fiksaator

(2) Kaeluseta otsakud

Pöörake tööriista fiksaatorit, nagu joonisel näidatud. Hoides otsaku sälguga osa tööriista fiksaatorvarda poole suunatuna, torgake otsak võimalikult sügavale tööriista hoidikusse.

Otsaku sisestamine

► **Joon.9:** 1. Otsak 2. Tööriista fiksaator 3. Tööriista hoidik
Otsaku fikseerimiseks pöörake tööriista fiksaatorit, nagu joonisel näidatud.

Kui otsak on fikseeritud

► **Joon.10:** 1. Otsak 2. Tööriista fiksaator

Otsaku eemaldamine

Otsaku eemaldamiseks järgige paigaldamise protseduuri vastupidises järjekorras.

Tolmueemaldusseadme ühendusdetail

Lisatarvik

Tolmueemaldusseadme ühendusdetail on ette nähtud tolmu ja osakeste vähendamiseks keraamilise materjaliga (nt betooni) peitliga töötlemisel.

1. Paigaldage voolikuhoidik (A).

Lõdvendage fiksaatormutter ja eemaldage kuuskantpolt. Paigaldage voolikuhoidik (A) kuuskantpoldi ja fiksaatormutri vahele, kinnitades fiksaatormutri tugevalt.

► **Joon.11:** 1. Kuuskantpolt 2. Voolikuhoidik (A)
3. Fiksaatormutter

2. Kinnitage voolikuhoidik (C) juhtmekaitsele.

► **Joon.12:** 1. Juhtmekaitse 2. Voolikuhoidik (C)

3. Kinnitage tolmukate ja voolik tööriista külge ning seejärel voolik voolikuhoidjate külge.

► **Joon.13:** 1. Tolmukate 2. Voolik 3. Voolikuhoidik (A)
4. Voolikuhoidik (C)

4. Ühendage voolik voolikuliitmiku abil tolmuimeja voolikuga.

MÄRKUS: Kui voolik komplekti ei kuulu, kinnitage tolmukate puhasti liitmikule või kinnitage Makita ø28 voolikule.

5. Reguleerige tolmukatte ja meisi või piiktera vahelist kaugust.

Iseteritava piiktera korral reguleerige tolmukatet, et see ei varjaks iseteritava piiktera sooni.

Muude otsakute kui iseteritavate piiktera korral on soovitatav kaugus 30 mm kuni 100 mm.

► **Joon.14:** 1. Soon 2. 30 mm kuni 100 mm

TÖÖRIISTA KASUTAMINE

⚠ETTEVAATUST: Kasutage alati külgkäepidid (abikäepide) ning hoidke tööriista töö ajal kindlalt nii külgkäepidemest kui ka lülitiga käepidemest.

⚠ETTEVAATUST: Kontrollige alati enne kasutamist, kas töödeldav detail on nõuetekohaselt fikseeritud. Töödeldava detaili fikseerimata jätmine võib põhjustada detaili liikumist ja sellest tulenevaid vigastusi.

⚠ETTEVAATUST: Ärge tõmmake tööriista välja jõuga, isegi kui otsak on kinni kiilunud. Kontrolli kadumine võib põhjustada detaili vigastuse.

⚠ETTEVAATUST: Ärge jätke tööriista töödeldavasse detaili. Tööriist võib soovimatult käivituda ja põhjustada kehavigastusi

Täksimine / pealiskihi eemaldamine / lammutustööd

Hoidke tööriista kindlalt kahe käega. Lülitage tööriist sisse ja avaldage sellele kergest survet, et tööriist ei pööraks kontrollimatult tagasi. Liiga suur surve tööriistale ei muuda tööd tõhusamaks.

► **Joon.15**

HOOLDUS

⚠ETTEVAATUST: Enne kontroll- või hooldustoimingute tegemist kandke alati hoolt selle eest, et tööriist oleks välja lülitatud ja vooluvõrgust eemaldatud.

TÄHELEPANU: Ärge kunagi kasutage bensiini, vedeldit, alkoholi ega midagi muud sarnast. Selle tulemuseks võib olla luitumine, deformatsioon või pragunemine.

Toote OHUTUSE ja TÖÖKINDLUSE tagamiseks tuleb vajalikud remonttööd ning muud hooldus- ja reguleerimistööd lasta teha Makita volitatud teeninduskeskustes või tehase teeninduskeskustes. Alati tuleb kasutada Makita varuosi.

Õlitamine

⚠ETTEVAATUST: Seda tööd peaks tegema ainult Makita ametlik hoolduskeskus.

Kuna sel tööriistal on õlitussüsteem, ei nõua see iga-päevast või iga tunni järel õlitamist. Seda tuleb regulaarselt uuesti õlitada. Saate tööriist õlitamiseks tervikuna Makita ametlikku või tehase hoolduskeskusesse.

VALIKULISED TARVIKUD

⚠ETTEVAATUST: Neid tarvikuid ja lisaseadiseid on soovitatav kasutada koos Makita tööriistaga, mille kasutamist selles kasutusjuhendis kirjeldatakse. Muude tarvikute ja lisaseadiste kasutamisega kaasneb vigastada saamise oht. Kasutage tarvikuid ja lisaseadiseid ainult otstarbekohaselt.

Saate vajaduse korral kohalikust Makita teeninduskeskusest lisateavet nende tarvikute kohta.

- Piiktera
- Külmmisel
- Pealiskihi meisel
- Savilabidas
- Tambits
- Puurimääre
- Tolmueemaldusseadme ühendusdetail
- Kaitseprillid
- Haamrihoidik

MÄRKUS: Mõned nimekirjas loetletud tarvikud võivad kuuluda standardvarustusse ning need on lisatud tööriista pakendisse. Need võivad riigiti erineda.

ТЕХНИЧЕСКИЕ ХАРАКТЕРИСТИКИ

Модель:	HM1511	HM1501	HM1512	HM1502
Ударов в минуту	1 300 мин ⁻¹			
Общая длина	781 мм		809 мм	
Масса нетто	19,2 кг	18,4 кг	20,4 кг	19,7 кг
Класс безопасности	□/Л			
Функция плавного вращения без нагрузки	✓	-	✓	-

- Благодаря нашей постоянно действующей программе исследований и разработок указанные здесь технические характеристики могут быть изменены без предварительного уведомления.
- Технические характеристики могут различаться в зависимости от страны.
- Масса может отличаться в зависимости от дополнительного оборудования. В таблице представлены комбинации с наибольшей и наименьшей массой в соответствии с процедурой EPTA 01/2014.

Назначение

Данный инструмент предназначен для рыхления бетона, кирпича, камня и асфальта, а также для забивания и уплотнения, если установлены соответствующие принадлежности.

Источник питания

Данный инструмент должен подключаться к источнику питания с напряжением, соответствующим напряжению, указанному на идентификационной пластине, и может работать только от однофазного источника переменного тока. Он имеет двойную изоляцию и поэтому может подключаться к розеткам без заземления.

Шум

Типичный уровень взвешенного звукового давления (A), измеренный в соответствии с EN60745-2-6:

Модель HM1511

Уровень звукового давления ($L_{p(A)}$): 85 дБ (A)
 Уровень звуковой мощности ($L_{w(A)}$): 105 дБ (A)
 Погрешность (K): 1,57 дБ (A)

Модель HM1501

Уровень звукового давления ($L_{p(A)}$): 84 дБ (A)
 Уровень звуковой мощности ($L_{w(A)}$): 104 дБ (A)
 Погрешность (K): 2,02 дБ (A)

Модель HM1512

Уровень звукового давления ($L_{p(A)}$): 84 дБ (A)
 Уровень звуковой мощности ($L_{w(A)}$): 104 дБ (A)
 Погрешность (K): 1,76 дБ (A)

Модель HM1502

Уровень звукового давления ($L_{p(A)}$): 85 дБ (A)
 Уровень звуковой мощности ($L_{w(A)}$): 105 дБ (A)
 Погрешность (K): 1,79 дБ (A)

ПРИМЕЧАНИЕ: Заявленное значение распространения шума измерено в соответствии со стандартной методикой испытаний и может быть использовано для сравнения инструментов.

ПРИМЕЧАНИЕ: Заявленное значение распространения шума можно также использовать для предварительных оценок воздействия.

▲ОСТОРОЖНО: Используйте средства защиты слуха.

▲ОСТОРОЖНО: Распространение шума во время фактического использования электроинструмента может отличаться от заявленного значения в зависимости от способа применения инструмента и в особенности от типа обрабатываемой детали.

▲ОСТОРОЖНО: Обязательно определите меры безопасности для защиты оператора, основанные на оценке воздействия в реальных условиях использования (с учетом всех этапов рабочего цикла, таких как выключение инструмента, работа без нагрузки и включение).

Вибрация

Суммарное значение вибрации (сумма векторов по трем осям), определенное в соответствии с EN60745-2-6:

Модель HM1511

Рабочий режим: долбление
 Распространение вибрации ($a_{n, \text{Чех}}$): 6,5 м/с²
 Погрешность (K): 1,5 м/с²

Модель HM1501

Рабочий режим: долбление
 Распространение вибрации ($a_{n, \text{ID}}$): 14,5 м/с²
 Погрешность (K): 1,5 м/с²

Модель HM1512

Рабочий режим: долбление
 Распространение вибрации ($a_{n, \text{ID}}$): 6,5 м/с²
 Погрешность (K): 1,5 м/с²

Модель HM1502

Рабочий режим: долбление
 Распространение вибрации ($a_{n, \text{ID}}$): 14,5 м/с²
 Погрешность (K): 1,5 м/с²

ПРИМЕЧАНИЕ: Заявленное общее значение распространения вибрации измерено в соответствии со стандартной методикой испытаний и может быть использовано для сравнения инструментов.

ПРИМЕЧАНИЕ: Заявленное общее значение распространения вибрации можно также использовать для предварительных оценок воздействия.

⚠ОСТОРОЖНО: Распространение вибрации во время фактического использования электроинструмента может отличаться от заявленного значения в зависимости от способа применения инструмента и в особенности от типа обрабатываемой детали.

⚠ОСТОРОЖНО: Обязательно определите меры безопасности для защиты оператора, основанные на оценке воздействия в реальных условиях использования (с учетом всех этапов рабочего цикла, таких как выключение инструмента, работа без нагрузки и включение).

Декларация о соответствии ЕС

Только для европейских стран

Декларация о соответствии ЕС включена в руководство по эксплуатации (Приложение А).

МЕРЫ БЕЗОПАСНОСТИ

Общие рекомендации по технике безопасности для электроинструментов

⚠ОСТОРОЖНО: Ознакомьтесь со всеми представленными инструкциями по технике безопасности, указаниями, иллюстрациями и техническими характеристиками, прилагаемыми к данному электроинструменту. Несоблюдение каких-либо инструкций, указанных ниже, может привести к поражению электрическим током, пожару и/или серьезной травме.

Сохраните брошюру с инструкциями и рекомендациями для дальнейшего использования.

Термин "электроинструмент" в предупреждениях относится ко всему инструменту, работающему от сети (с проводом) или на аккумуляторах (без провода).

Правила техники безопасности при работе с электрическим отбойным молотком

1. Обязательно используйте средства защиты слуха. Воздействие шума может привести к потере слуха.
2. Используйте дополнительную ручку (если входит в комплект инструмента). Утрата контроля над инструментом может привести к травме.
3. Если при выполнении работ существует риск контакта режущего инструмента со скрытой электропроводкой или собственным шнуром питания, держите электроинструмент за специально предназначенные изолированные поверхности. Контакт с проводом под напряжением может стать причиной поражения оператора током.

4. Надевайте защитную каску (защитный шлем), защитные очки и/или защитную маску для лица. Обычные или солнцезащитные очки НЕ ЯВЛЯЮТСЯ защитными очками. Также настоятельно рекомендуется надевать противопылевой респиратор и перчатки с толстыми подкладками.
5. Перед выполнением работ убедитесь в надежном креплении головки сверла.
6. При нормальной эксплуатации инструмент может вибрировать. Винты могут раскрутиться, что приведет к поломке или несчастному случаю. Перед эксплуатацией тщательно проверяйте затяжку винтов.
7. В холодную погоду, или если инструмент не использовался в течение длительного периода времени, дайте инструменту немного прогреться, включив его без нагрузки. Это размягчит смазку. Без надлежащего прогрева ударное действие будет затруднено.
8. При выполнении работ всегда занимайте устойчивое положение. При использовании инструмента на высоте убедитесь в отсутствии людей внизу.
9. Крепко держите инструмент обеими руками.
10. Руки должны находиться на расстоянии от движущихся деталей.
11. Не оставляйте работающий инструмент без присмотра. Включайте инструмент только тогда, когда он находится в руках.
12. При выполнении работ не направляйте инструмент на кого-либо, находящегося в месте выполнения работ. Головка сверла может выскочить и травмировать других людей.
13. Сразу после окончания работ не прикасайтесь к обрабатываемой детали, головке сверла или к деталям в непосредственной близости от нее. Головка сверла может быть очень горячей и обжечь кожу.
14. Некоторые материалы могут содержать токсичные химические вещества. Примите соответствующие меры предосторожности, чтобы избежать вдыхания или контакта с кожей таких веществ. Соблюдайте требования, указанные в паспорте безопасности материала.
15. Не прикасайтесь к разъему электропитания мокрыми руками.
16. Перед началом работы убедитесь в том, что под поверхностью рабочей зоны не проходят линии электрооборудования, водопроводы или газопроводы. Контакт биты с такими объектами приведет к удару электрическим током, утечке тока или газа.
17. Не эксплуатируйте инструмент без нагрузки, если в этом нет необходимости.

СОХРАНИТЕ ДАННЫЕ ИНСТРУКЦИИ.

⚠ОСТОРОЖНО: НЕ ДОПУСКАЙТЕ, чтобы удобство или опыт эксплуатации данного устройства (полученный от многократного использования) доминировали над строгим соблюдением правил техники безопасности при обращении с этим устройством. НЕПРАВИЛЬНОЕ ИСПОЛЬЗОВАНИЕ инструмента или несоблюдение правил техники безопасности, указанных в данном руководстве, может привести к тяжелой травме.

ОПИСАНИЕ РАБОТЫ

▲ВНИМАНИЕ: Перед регулировкой или проверкой функций инструмента обязательно убедитесь, что он выключен и его вилка вынута из розетки.

Действие выключателя

▲ВНИМАНИЕ: Перед включением инструмента в розетку убедитесь в том, что рычаг переключателя нормально работает и возвращается в положение “OFF” (ВЫКЛ.).

▲ВНИМАНИЕ: В случае продолжительной работы для удобства оператора переключатель можно зафиксировать в положении “ВКЛ.”. Соблюдайте осторожность при фиксации инструмента в положении “ВКЛ.” и крепко удерживайте инструмент.

Для включения инструмента нажмите на выключатель “ON (I)” с левой стороны инструмента. Для выключения инструмента нажмите на выключатель “OFF (O)” с правой стороны инструмента.

► **Рис.1:** 1. Рычаг переключателя

Индикаторная лампа

При подключении инструмента к сети питания индикаторная лампа включения питания загорается зеленым светом.

Если индикаторная лампа не загорается, это свидетельствует о неисправности сетевого шнура или контроллера. Если индикаторная лампа горит, а инструмент не запускается даже при нажатом выключателе, это свидетельствует либо об износе угольных щеток, либо о неисправности контроллера, двигателя или переключателя.

Индикаторная лампа обслуживания мигает красным, если угольные щетки изношены, указывая на необходимость обслуживания инструмента.

Двигатель автоматически отключится после приблизительно 8 часов работы.

► **Рис.2:** 1. Индикаторная лампа включения питания (зеленая) 2. Лампа индикатор обслуживания (красная)

Электронная функция

Для простоты эксплуатации инструмент оснащен электронными функциями.

- Функция плавного вращения без нагрузки (Только для моделей HM1511 и HM1512)
Для снижения вибрации на холостом ходу количество ударов будет меньшим, чем во время работы, однако это не мешает работе. После контакта биты с бетоном количество ударов в минуту возрастет.
При низкой температуре эта функция может быть недоступна для инструмента даже при вращающемся двигателе.
- Плавный запуск
Функция плавного запуска уменьшает пусковой удар и смягчает запуск устройства.

СБОРКА

▲ВНИМАНИЕ: Перед проведением каких-либо работ с инструментом обязательно проверяйте, что инструмент выключен, а шнур питания вынут из розетки.

Боковая рукоятка (вспомогательная рукоятка)

▲ВНИМАНИЕ: Для обеспечения безопасности во время работ всегда используйте боковую рукоятку.

▲ВНИМАНИЕ: После установки или регулировки боковой рукоятки убедитесь в надежности ее крепления.

Боковая рукоятка поворачивается на 360° по вертикали и фиксируется в любом положении. Ослабьте зажимную гайку, чтобы переместить боковую рукоятку в нужное положение, а затем надежно затяните зажимную гайку.

► **Рис.3:** 1. Боковая рукоятка 2. Зажимная гайка

Установка или снятие биты

Смазка

Перед установкой долота очистите хвостовик и смажьте его.

Смажьте хвостовик долота заранее небольшим количеством смазки (примерно 0,5–1 г). Такая смазка патрона обеспечивает равномерную работу и увеличивает срок службы.

► **Рис.4:** 1. Хвостовик 2. Смазка

Установка биты

▲ВНИМАНИЕ: Всегда проверяйте надежность крепления биты, попытавшись вытянуть биту из инструментальной оправки после завершения процедуры выше.

Только для моделей HM1511 и HM1501

Вставьте биту в держатель инструмента до упора, повернув ее таким образом, чтобы выемка на хвостовике биты была обращена к фиксатору инструмента. Затем вытащите и поверните фиксатор инструмента на 180°, чтобы зафиксировать биту.

► **Рис.5:** 1. Бита 2. Фиксатор инструмента 3. Инструментальная оправка

Только для моделей HM1512 и HM1502

В данный инструмент можно вставлять биты с воротником или без воротника на хвостовике биты.

► **Рис.6:** 1. Бита с воротником 2. Бита без воротника

Для установки биты выполните процедуру (1) или (2), как описано ниже.

ПРИМЕЧАНИЕ: Биту без воротника зафиксировать с помощью процедуры (1) невозможно.

- (1) **Для бит с воротником**
Отклоните фиксатор инструмента, как показано на рисунке. Вставьте битку в держатель инструмента как можно глубже.

При установке биты

- **Рис.7:** 1. Бита 2. Фиксатор инструмента
3. Инструментальная оправка

Для фиксации биты верните фиксатор инструмента в исходное положение, как показано на рисунке.

Когда бита удерживается

- **Рис.8:** 1. Бита 2. Фиксатор инструмента

- (2) **Для бит без воротника**
Отклоните фиксатор инструмента, как показано на рисунке. Вставьте битку в держатель инструмента до упора, повернув ее таким образом, чтобы выемка на хвостовике биты была обращена к оси фиксатора инструмента.

При установке биты

- **Рис.9:** 1. Бита 2. Фиксатор инструмента
3. Инструментальная оправка

Для фиксации биты поверните фиксатор инструмента, как показано на рисунке.

Когда бита удерживается

- **Рис.10:** 1. Бита 2. Фиксатор инструмента

Снятие биты

Для снятия биты выполните процедуру установки в обратном порядке.

Насадка для удаления пыли

Дополнительные принадлежности

Насадка для удаления пыли предназначена для уменьшения количества разлетающейся пыли и твердых частиц при долблении керамических материалов, например бетона.

1. Установите держатель шланга (А).

Ослабьте зажимную гайку и выкрутите болт с шестигранной головкой. Закрепите держатель шланга (А) между болтом с шестигранной головкой и зажимной гайкой, надежно затянув гайку.

- **Рис.11:** 1. Болт с шестигранной головкой
2. Держатель шланга (А) 3. Зажимная гайка

2. Присоедините держатель шланга (С) к защите шнура.

- **Рис.12:** 1. Защита шнура 2. Держатель шланга (С)

3. Прикрепите пылезащитный кожух и шланг к инструменту, а затем прикрепите шланг к держателям.

- **Рис.13:** 1. Пылезащитный кожух 2. Шланг
3. Держатель шланга (А) 4. Держатель шланга (С)

4. Подсоедините шланг к шлангу пылесоса с помощью соответствующей муфты.

ПРИМЕЧАНИЕ: Если шланг не входит в комплект, прикрепите пылезащитный кожух к муфте пылесоса или же к шлангу Makita ø28.

5. Отрегулируйте расстояние между пылезащитным кожухом и кончиком зубила или пирамидального долота.

При использовании самозатачивающегося пирамидального долота отрегулируйте пылезащитный кожух таким образом, чтобы он не закрывал канавки самозатачивающегося пирамидального долота.

Для всех остальных видов бит (кроме самозатачивающегося пирамидального долота) рекомендуемое расстояние составляет от 30 мм до 100 мм.

- **Рис.14:** 1. Канавка 2. От 30 мм до 100 мм

ЭКСПЛУАТАЦИЯ

ВНИМАНИЕ: Всегда пользуйтесь боковой ручкой (вспомогательной рукояткой) и при работе крепко держите инструмент и за боковую ручку, и за ручку с выключателем.

ВНИМАНИЕ: Перед началом работы всегда проверяйте надежность крепления обрабатываемой детали. При недостаточном креплении обрабатываемой детали ее смещение может привести к травме.

ВНИМАНИЕ: Не тяните инструмент силой, даже если головка застряла. Потеря контроля над инструментом может привести к травме.

ВНИМАНИЕ: Не оставляйте инструмент застрявшим в обрабатываемой детали. Инструмент может случайно включиться и причинить травму.

Расщепление/Скобление/Разрушение

Крепко держите инструмент обеими руками. Включите инструмент и немного надавите на него, чтобы предотвратить неконтролируемое подпрыгивание инструмента. Слишком сильное нажатие на инструмент не повысит эффективность.

- **Рис.15**

ОБСЛУЖИВАНИЕ

ВНИМАНИЕ: Перед осмотром или проведением техобслуживания убедитесь, что инструмент выключен, а штекер отсоединен от розетки.

ПРИМЕЧАНИЕ: Запрещается использовать бензин, растворители, спирт и другие подобные жидкости. Это может привести к обесцвечиванию, деформации и трещинам.

Для обеспечения БЕЗОПАСНОСТИ и НАДЕЖНОСТИ оборудования ремонт, любое другое техобслуживание или регулировку необходимо производить в полномочных сервис-центрах Makita или сервис-центрах предприятия с использованием только сменных частей производства Makita.

Смазка

⚠ ВНИМАНИЕ: Эту процедуру обслуживания следует выполнять только в уполномоченных сервисных центрах Makita или в мастерских предприятия-изготовителя.

Этот инструмент не требует выполнения ежедневной или ежечасной смазки, так как он оснащен встроенной системой смазки. Следует регулярно менять смазку. Для выполнения такого технического обслуживания системы смазки отправьте инструмент в уполномоченный сервисный центр Makita или в мастерскую предприятия-изготовителя.

ДОПОЛНИТЕЛЬНЫЕ ПРИНАДЛЕЖНОСТИ

⚠ ВНИМАНИЕ: Данные принадлежности или приспособления рекомендуются для использования с инструментом Makita, указанным в настоящем руководстве. Использование других принадлежностей или приспособлений может привести к получению травмы. Используйте принадлежность или приспособление только по указанному назначению.

Если вам необходимо содействие в получении дополнительной информации по этим принадлежностям, свяжитесь с вашим сервис-центром Makita.

- Пирамидальное долото
- Слесарное зубило
- Резец
- Лопата для глины
- Трамбовка
- Смазка сверла
- Насадка для удаления пыли
- Защитные очки
- Тележка для молотка

ПРИМЕЧАНИЕ: Некоторые элементы списка могут входить в комплект инструмента в качестве стандартных приспособлений. Они могут отличаться в зависимости от страны.

Makita Europe N.V. Jan-Baptist Vinkstraat 2,
3070 Kortenberg, Belgium

Makita Corporation 3-11-8, Sumiyoshi-cho,
Anjo, Aichi 446-8502 Japan

www.makita.com

885835-983
EN, SV, NO, FI, DA,
LV, LT, ET, RU
20201208