

GENERAL FEATURES

- Designed with AGM (Absorbent Glass Mat) technology, equipping high performance plates and electrolyte, the 6GFM200 is a general-purpose VRL battery with a lifespan of 10 years for float charging at 25°C
- Using oxygen recombination technology, maintenance-free.
- ABS material: enhanced strength of the battery container. (Flame-retardant is optional).



APPLICATIONS

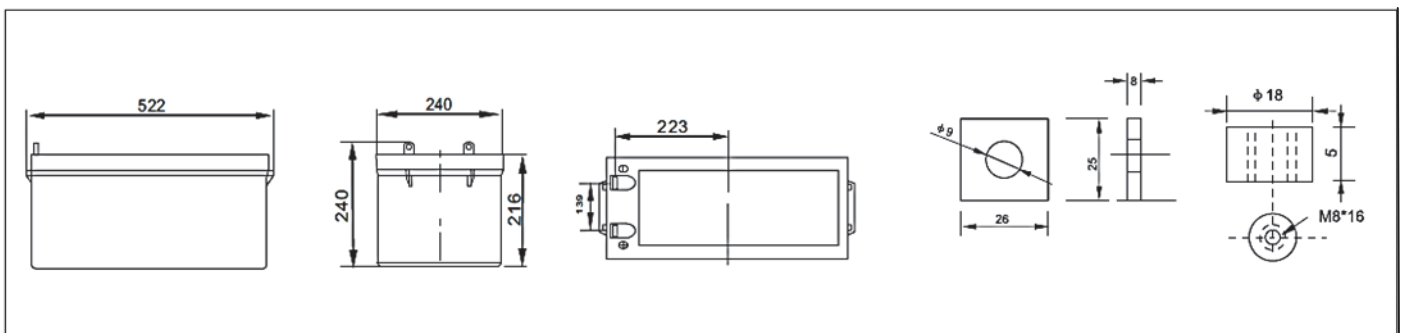
- All purpose
- Uninterruptable Power Supply (UPS)
- Electric Power System (EPS)
- Emergency backup system
- Emergency light
- Railway Signal
- Aircraft signal
- Alarm and security system
- Electronic apparatus and equipment
- Communication power supply
- DC power supply
- Auto control system



SPECIFICATIONS

Model	Nominal Voltage	12V		
	Rated Capacity (10Hr rate)	200Ah		
Dimensions	Length	Width	Height	Total Height
	522mm (20.55")	240mm (9.45")	216mm (8.50")	240mm (9.45")
Weight	Approx. 59.0kg (130.07lbs)± 3%			
Capacity @25°C (77°F)	10 hour (20A,10.8V)	5 Hour (32A,10.5V)	3 Hour (50A,10.2V)	1 Hour (120A,9.6V)
	200Ah	160Ah	150Ah	120Ah
Internal Resistance	Fully charged at 25°C, a approx. 2.8mΩ			
Max. Discharge Current	1600A (5 Sec.)			
Capacity Affected by Temp. (10Hr)	40°C (104°F)	25°C (77°F)	0°C (32°F)	-15°C (5°F)
	102%	100%	85%	65%
Self Discharge Rate	After 3 months Storage	After 6 months Storage	After 12 months Storage	
	91%	82%	64%	
Charge Method	Cycle Use		Float Charging	
	14.1-14.4V (Initial current less than 80A) @25°C (77°F)		13.5-13.8V@25°C (77°F)	

DIMENSIONS & TERMINALS

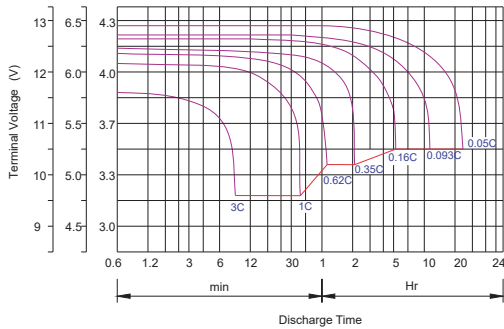


PERFORMANCE CHARACTERISTICS

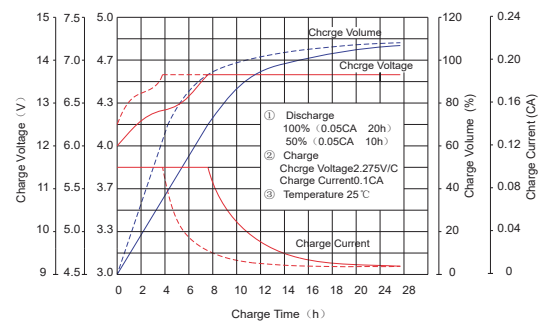
Constant Current (Amp.) and Constant Power (Watt) Discharge Table @25°C (77°F)

Cell Voltage	Time	5min	10min	15min	30min	1hr	2hr	3hr	4hr	5hr	8hr	10hr	20hr
9.60V	A	640.60	422.00	340.20	228.00	120.00	70.00	51.40	40.00	33.00	23.40	21.00	11.30
	W	6611.00	4507.00	3647.60	2451.50	1296.00	768.60	572.10	450.00	378.50	268.20	242.60	131.90
10.20V	A	620.40	380.80	320.40	218.00	112.80	66.80	50.00	39.00	32.40	22.80	20.60	11.00
	W	6625.90	4252.00	3585.30	2447.30	1275.80	769.90	579.00	453.50	377.70	266.80	242.00	129.00
10.50V	A	600.20	340.60	280.20	204.00	109.20	65.20	48.80	38.40	32.00	22.60	20.20	11.00
	W	6554.20	3874.70	3197.60	2347.60	1264.50	756.20	568.60	449.30	375.20	265.80	239.00	130.00
10.80V	A	578.40	321.00	260.40	188.00	105.60	63.60	47.60	37.80	31.20	22.00	20.00	10.80
	W	6489.60	3701.80	2999.80	2178.20	1229.20	744.90	561.20	446.30	368.80	260.70	237.70	128.60
11.10V	A	559.00	300.80	240.40	168.00	102.00	62.00	46.00	36.80	30.40	21.40	19.00	10.20
	W	6339.10	3483.30	2798.30	1965.60	1199.50	732.80	546.50	438.30	362.80	256.30	229.40	123.60

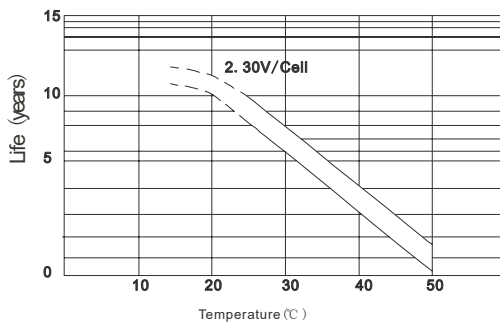
DISCHARGE CHARACTERISTICS



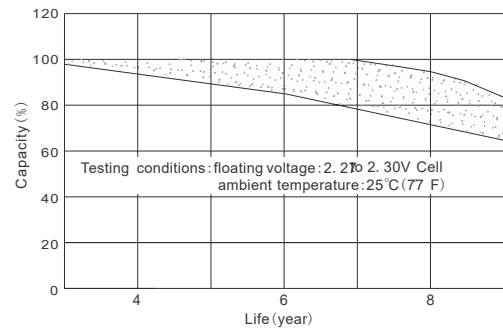
CHARGING CHARACTERISTICS (STANDBY) @25°C



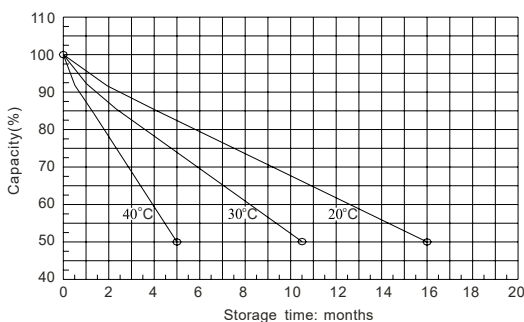
TEMP. EFFECTS ON FLOAT LIFE



LIFE CHARACTERISTICS OF STANDBY USE



SELF DISCHARGE CHARACTERISTICS



CYCLE LIFE IN RELATION TO THE DEPTH OF DISCHARGE

