

Greenhouse

502588746

Instruction manual (Original instructions)

Käyttöohje (Alkuperäisten ohjeiden käännös)

Bruksanvisning (Översättning av originalinstruktionerna)

Monteringsveiledning (Oversettelse av de opprinnelige instruksjonene)

Kasutusjuhend (Tõlgitud originaal juhendist)

GB 2 - 42

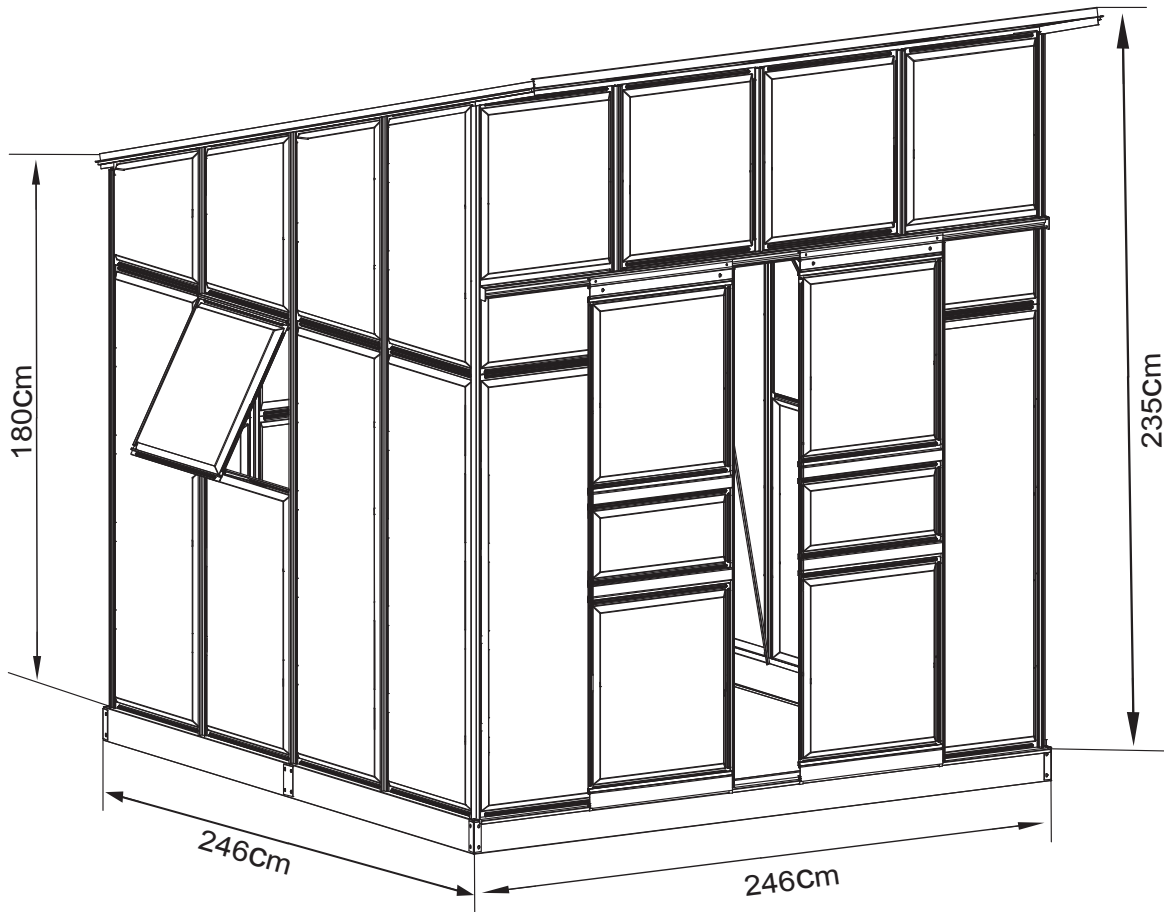
FI 43 - 83

SE 84 -124

NO 125-165

EE 166-206

CELLO



CELLO

GB

General instruction

1. You must read these instructions carefully before you start to assemble this greenhouse.
2. It is a multi-part assembly, some assembly steps require two people and it takes 2-3 days for assembly.
3. Choose a sunny, flat place without overhanging trees.
4. To start assembly, arrange the parts in numerical order next to the assembly site.
5. Keep small parts (screws, etc.) in the boxes and bags so they don't get lost.
6. For assembly you need tools at least an electric screwdriver/drill and a measuring tape.
7. Each part is numbered, and the corresponding number can be found in the assembly instructions.
8. Tighten the screws to their full tightness only when you are sure that the assembly step is correctly made.
9. Transparent concave and convex PC panels are used for walls and dim hollow 4mm PC panels are used for roof.
10. Remove the protective films both sides of the wall and roof polycarbonate panels before installing them in place.
11. For wall panel, Convex is with UV protection, should towards the sun. For roof panel, white protective film on the 4,0mm roof panels indicates the UV protected side of the panel, should towards the sun. Tip! After removing the protective plastic, of the roof panels you can make a small mark on the UV-protected side with a marker so that the UV-protected side does not get mixed up when you install the roof panel in place.



Green protective film on the 0,7 mm wall panels indicates the UV protected side of the panel.



Transparent protective film on the 0,7 mm wall panels indicates the UV unprotected side of the panel.



White protective film on the 4,0 mm roof panels indicates the UV protected side of the panel.



Transparent protective film on the 4,0 mm roof panels indicates the UV unprotected side of the panel.

12. Handle the polycarbonate wall and roof panels with special care so that they do not get scratched during the assembly .

CELLO

Safety instruction

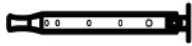





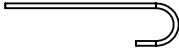
1. We recommend wearing gloves and safety glasses during assembly.
2. Keep children away from the installation area.
3. Do not install the greenhouse in windy or wet conditions.
4. If using a step ladder or power tools, ensure that you follow the manufactures safety advice.
5. When installing parts above you, protect yourself from potentially dripping parts.
6. Make sure the greenhouse is anchored well enough into the ground.If a poor anchoring, then a strong wind may easily damage the greenhouse
7. If there is lightning, we strongly recommend not to stay in the greenhouse, because aluminum alloy skeleton is conductive.

Maintenance instructions

1. If the ground is not even the greenhouse frame may be damaged.
Make sure the greenhouse stays always straight.
2. Avoid overloading the frame. If there is snow, remove it in time or use a solid wooden board to support the polycarbonate center inside and in the middle to prevent the snow from collapsing into the greenhouse.
3. Don't let any climbing fruits and vegetables to grow up on the greenhouse, otherwise if it is windy and rainy, the structure can easily break. If connection piece seriously rust, should change the new screws and connectors in time.
4. Keep the polycarbonate sheets away from fire to avoid softening and deformation.
5. Keep the PC clean, generally the PC sheet using is 3 years, so as not to affect the light transmittance.
6. In the event of a storm, make sure that the greenhouse is firmly attached to the ground and that the sunroof and door remain closed. If necessary, secure the greenhouse to nearby trees with a strong rope or wire.
7. Check the tightness of the frame screws at least once a year
8. If the roof is affected by a large snow load in winters, the roof panels can be removed for the winter.
















Art.Nr.	Picture	Qty.	Dimension(mm)	Art.Nr.	Picture	Qty.	Dimension(mm)	
1A		1	2217	23		1	2406	
1B		1	2217	24		2	610	
2A		1	2954	25		28		
2B		1	2954	26		4		
3		2	1670	27		1	2408	
4		2	2230	28		2	1600	
5A		1	1957	28A		1	1600	
5B		1	1963	28B		1	1600	
6A			1	1829	29		6	1232
6B	1		1829	30		3	2406	
7	3		1695	31		1	2406	
8	1		568	32		1	2406	
9A	1		2098	33		1	2406	
9B	1		2098	34		2	1232	
10			2	1765	35		2	
11			6	1720	36		2	
12			2	2400	37		4	
13		1	2400	38		6		
14		1	1176	39		12	568	
15		4	520	40		174		
16		2	635	41		4		
17		2	638	42		4		
18		3	2935	43		2		
19		2	590	44		12		
20		4	610	45A		1		
21		2	610	45B		1		
22		2	608					

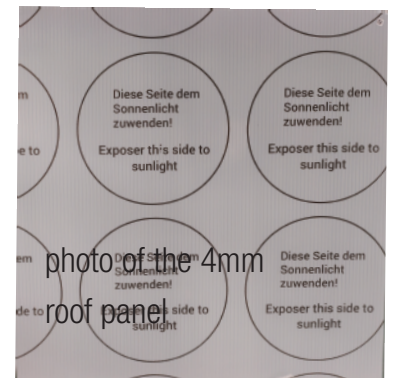
CELLO

Art.Nr.	Picture	Qty.	Dimension(mm)		Art.Nr.	Picture	Qty.	Dimension(mm)
46		2						
47		2	590					
48		174						
49		4						
50		4						
51		1						
52		12						

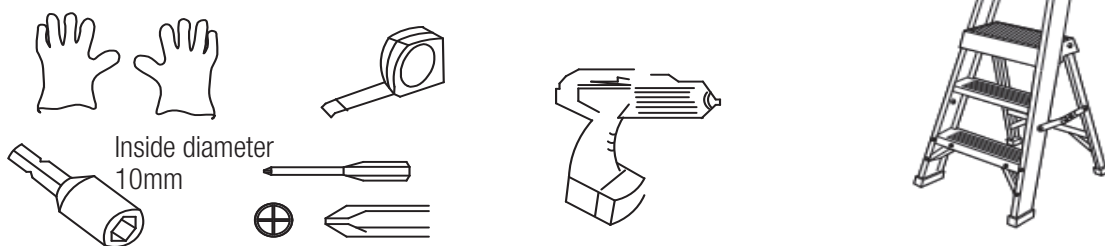
CELLO

PC panels

Art.Nr.	Qty.	Picture	Dimension(mm)	
P1	12PC		845x590	clear 0,7mm panel for the walls
P2	8PC		1367x590	clear 0,7mm panel for the walls
P3	2PC		595x590	clear 0,7mm panel for the walls
P4	1PC		450x590	clear 0,7mm panel for the walls
P5	1PC		590x590	clear 0,7mm panel for the walls
P6	1PC		720x585	clear 0,7mm panel for the walls
P7	1PC		590x853	clear 0,7mm panel for the walls
P8	1PC		450x590	clear 0,7mm panel for the walls
P9	1PC		585x590	clear 0,7mm panel for the walls
P10	1PC		720x590	clear 0,7mm panel for the walls
P11	1PC		590x855	clear 0,7mm panel for the walls
P12	4PC		597x597	clear 0,7mm panel for the walls
P13	2PC		605x240	0.7mm panel for the walls
P14	4PC		2954x590	4mm panel for the roof
P15	2PC		590x540	clear 0,7mm panel for the walls

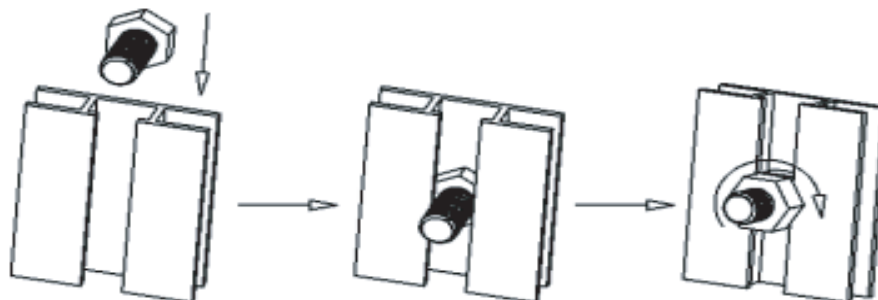


We recommend to get the following tools available for assembly




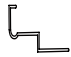






(packaging includes one spanner to twist the nuts)

This is how you slide the screws into the grooves of the aluminum rails

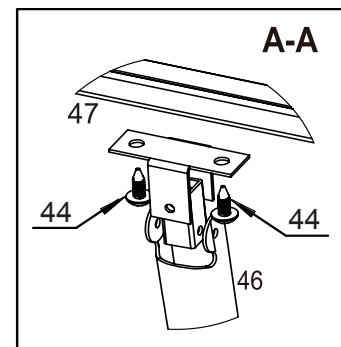
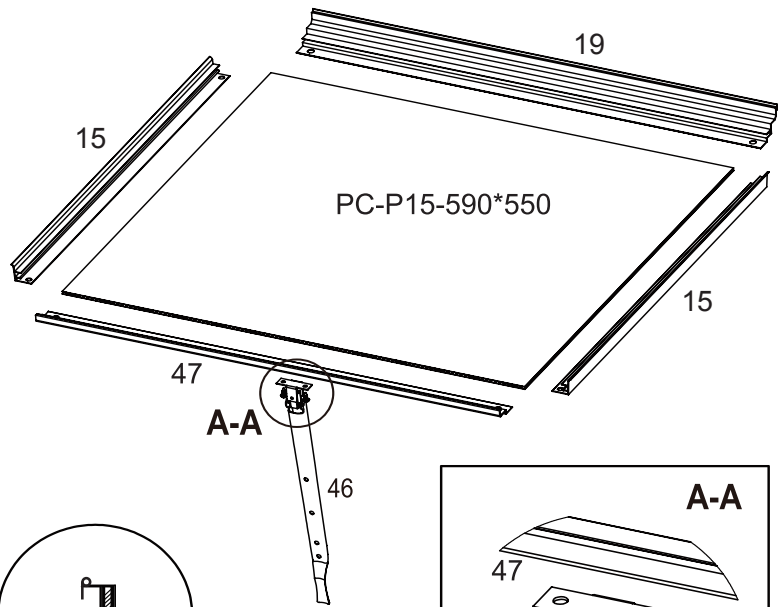


CELLO

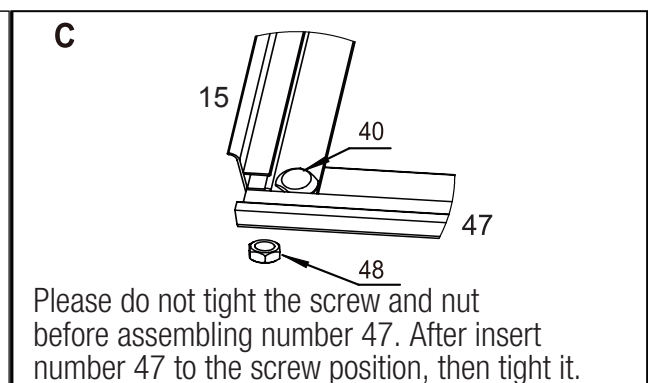
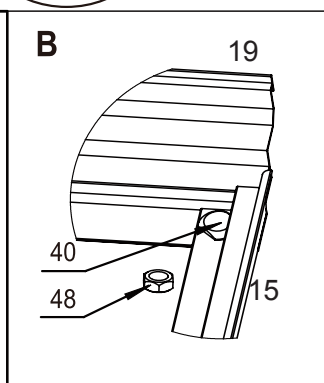
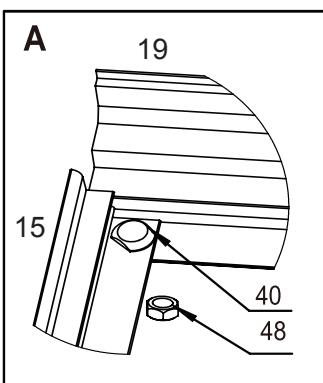
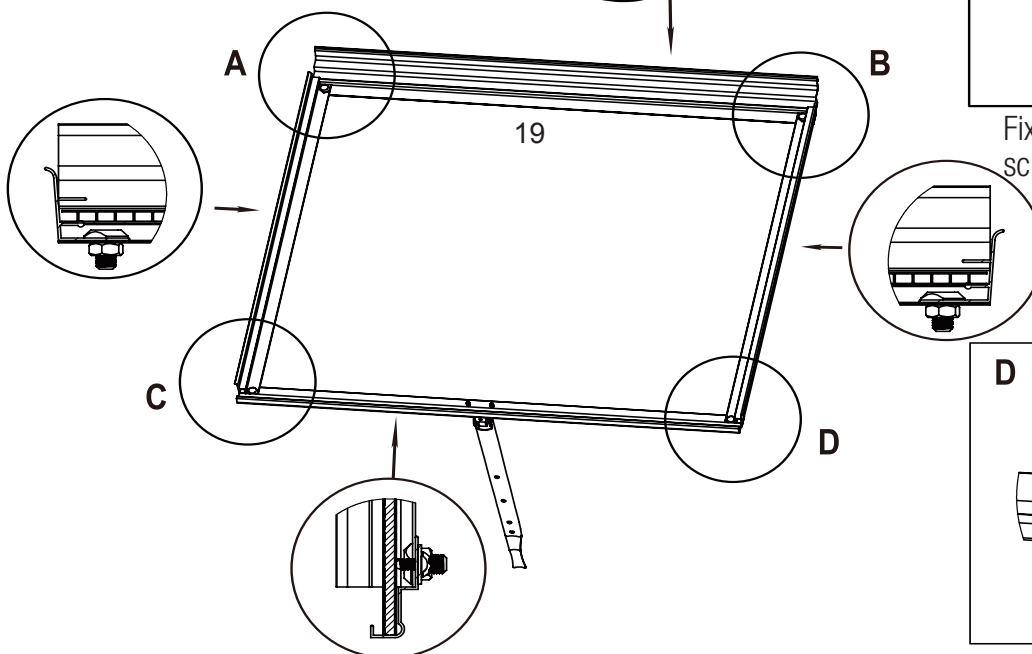
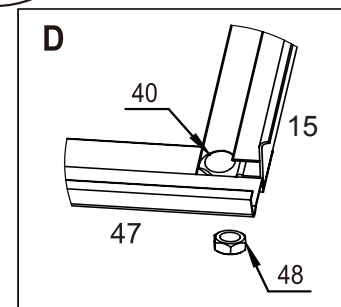
Wall window assembling

Art.Nr.	Qty.	Picture	Dimension(mm)
15	4PC		520
47	2PC		590
19	2PC		595
40	8PC		
44	4PC		
46	2PC		
48	8PC		
P15	2PC		590x540

Please layout the exploded diagrams as below picture, insert number 40 screws from top to bottom, assemble number 15 and number 19 first, then assemble number 15 panel, next step to attach number 47



Fix the bracket on the reserved screw hole



Please do not tight the screw and nut before assembling number 47. After insert number 47 to the screw position, then tight it.

Green protection film side with UV protection, should toward the sun. transparent protection film side without UV protection towards inside of the greenhouse.

CELLO

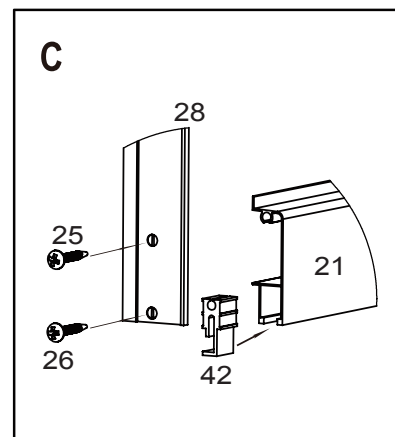
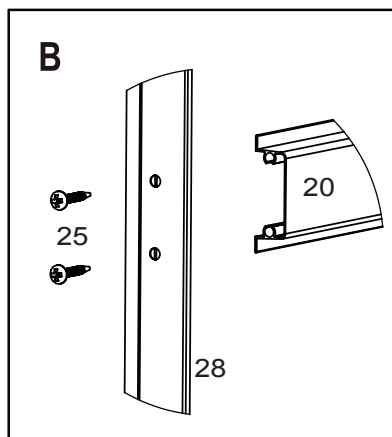
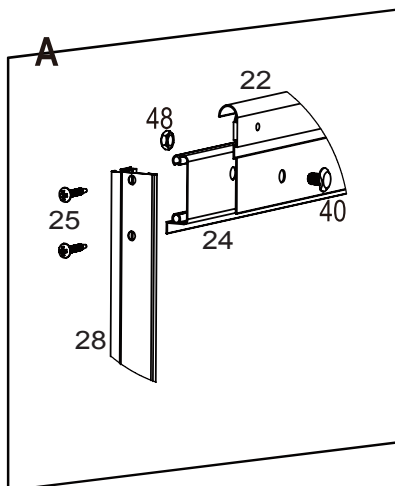
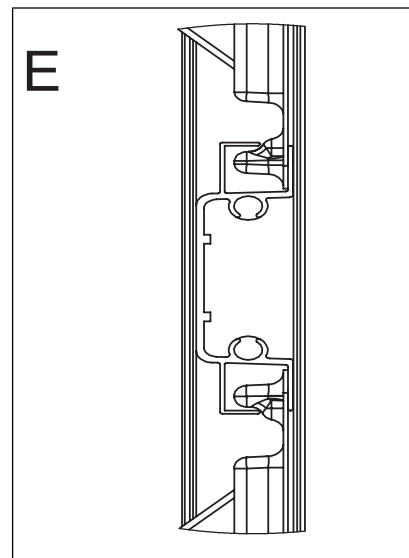
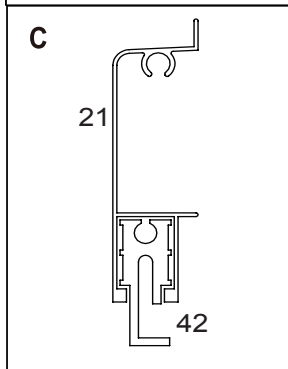
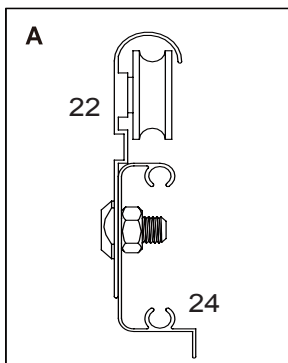
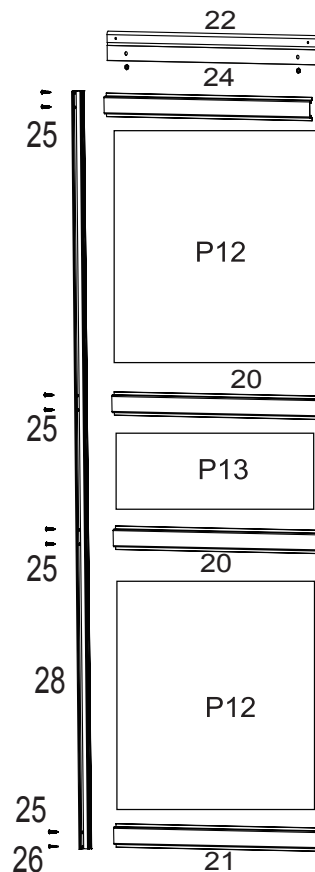
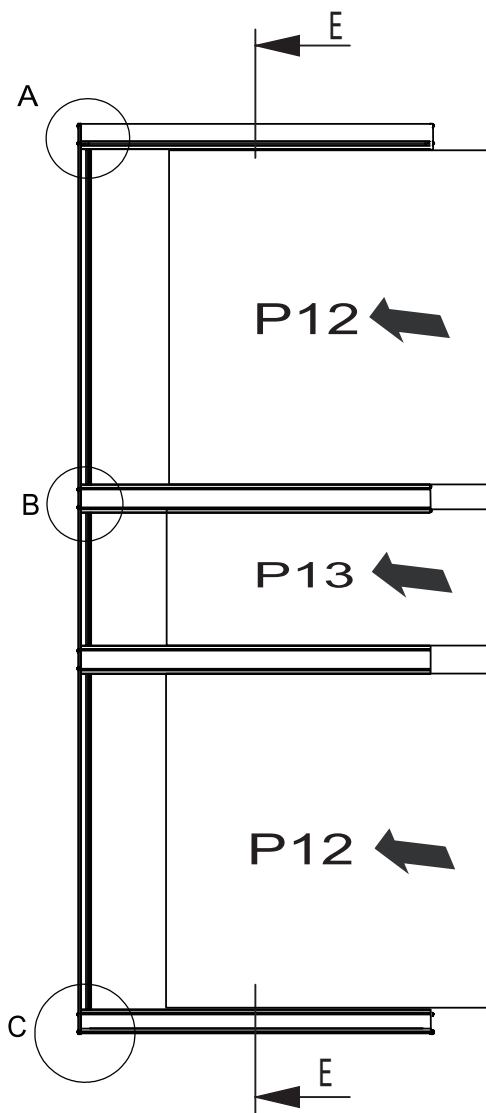
Assemble the frame of sliding door

Art.Nr.	Qty.	Picture	Dimension(mm)
20	1PC		610
21	1PC		610
22	1PC		608
24	1PC		610
28	1PC		1600
25	7PC		
26	1PC		
40	2PC		
42	2PC		
48	2PC		

PC panel			
P12	2PC		597x597
P13	1PC		605x240

Left door

Install accessories in A/b/C order first, then insert 12/13 PC board






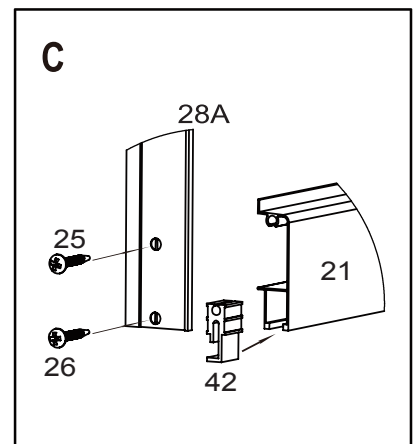
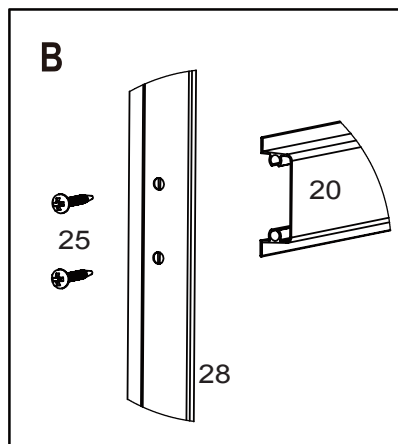
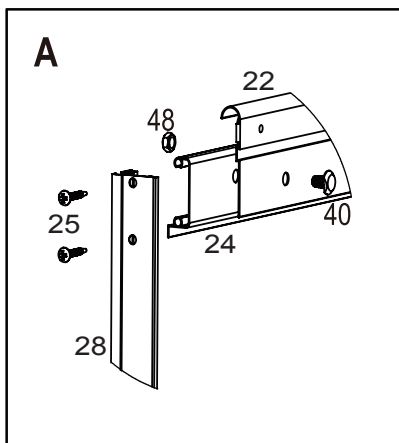
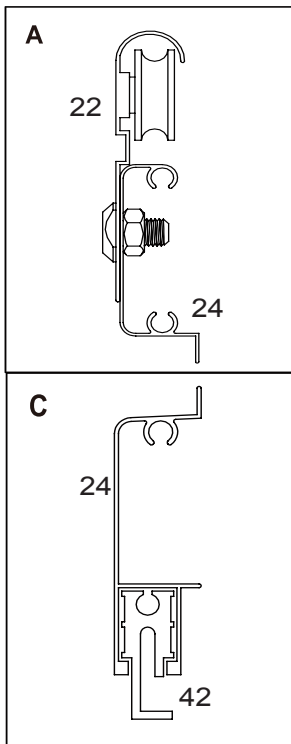
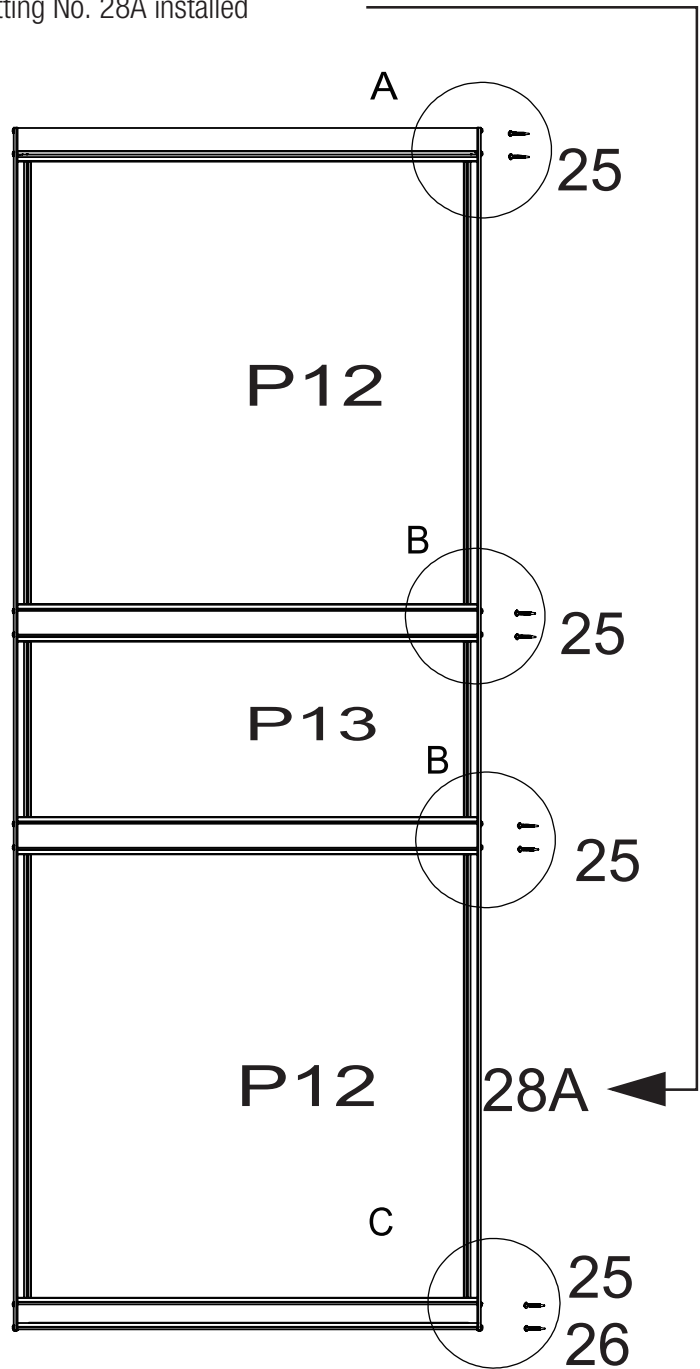
CELLO

Left door

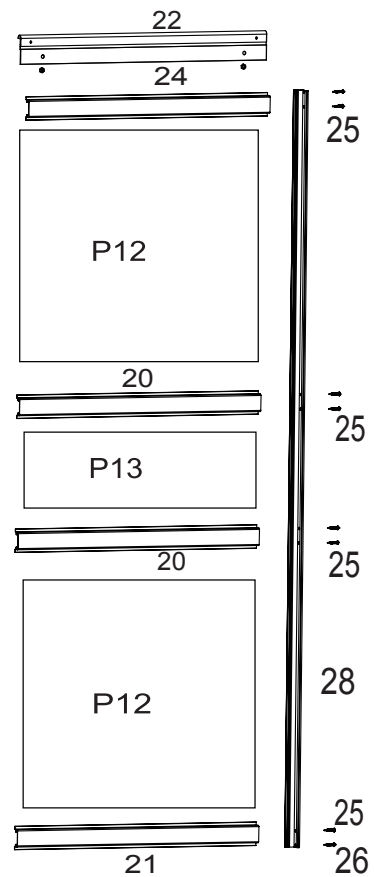
Assemble the frame of sliding door

Fitting No. 28A installed

Art.Nr.	Qty.	Picture	Dimension(mm)
25	7PC		
26	1PC		
28A	1PC		1600

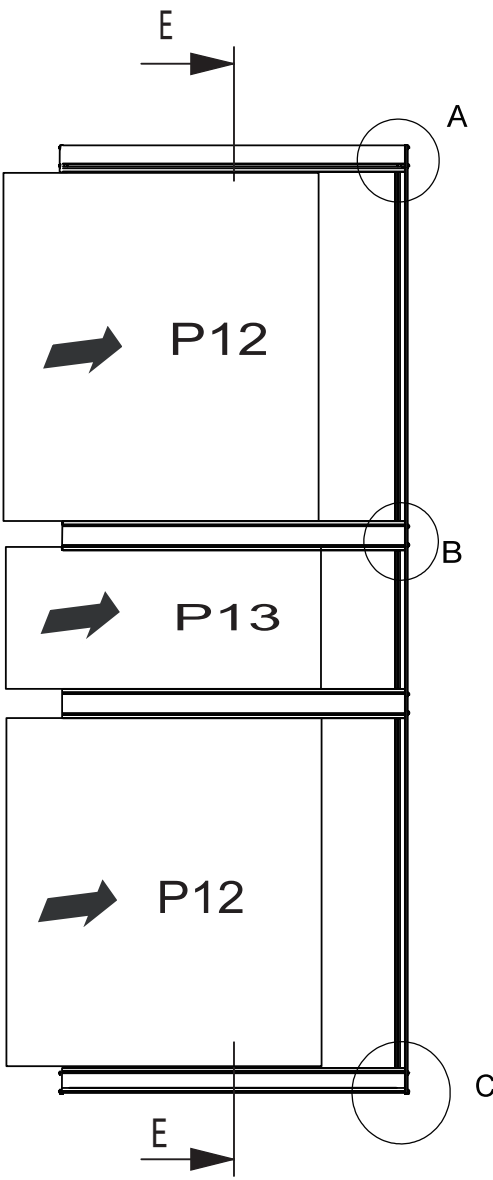


CELLO



Right door

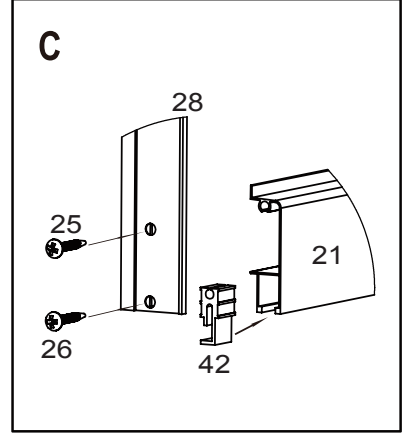
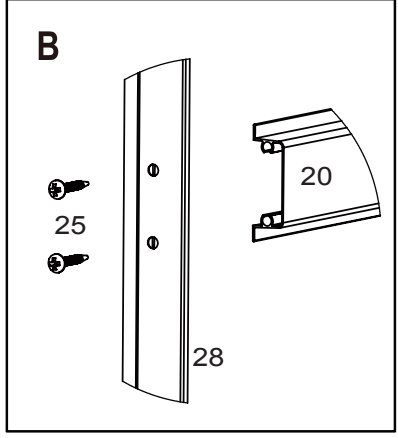
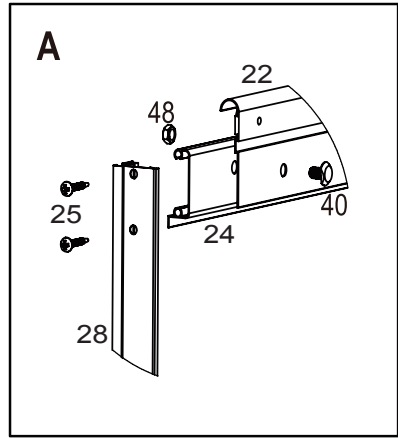
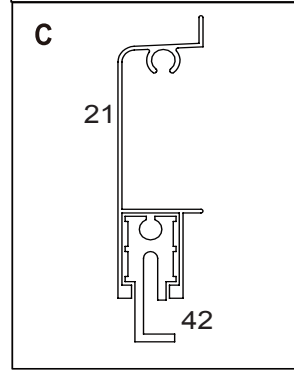
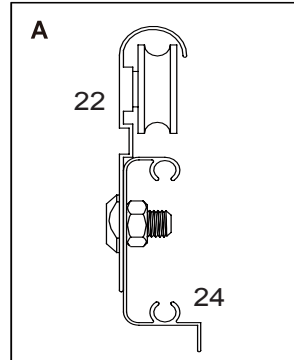
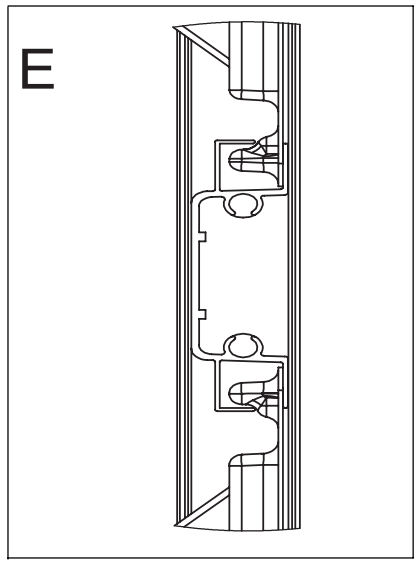
Install accessories in A/b/C order first, then insert 12/13 PC board



Assemble the frame of sliding door

Art.Nr.	Qty.	Picture	Dimension(mm)
20	1PC		610
21	1PC		610
22	1PC		608
24	1PC		610
28	1PC		1600
25	7PC		
26	1PC		
40	2PC		
42	2PC		
48	2PC		

PC panels			
P12	2PC		597x597
P13	1PC		605x240






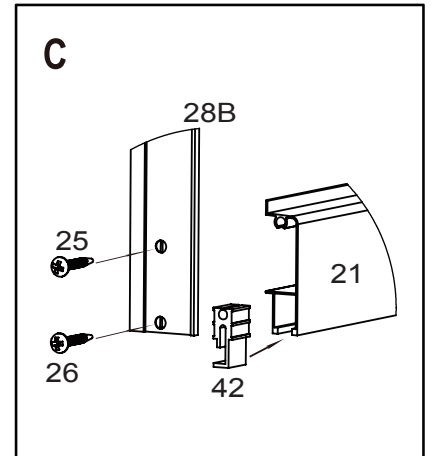
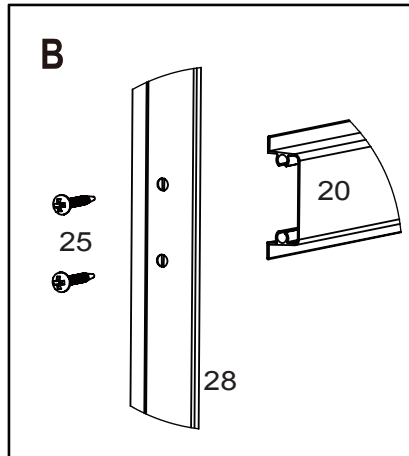
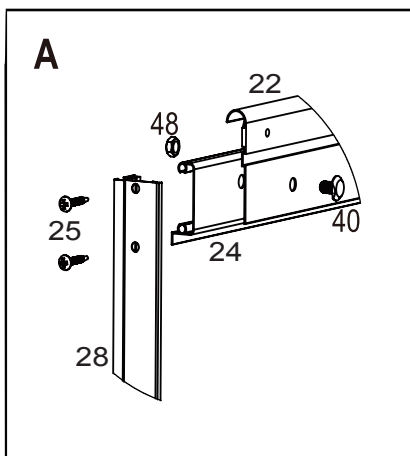
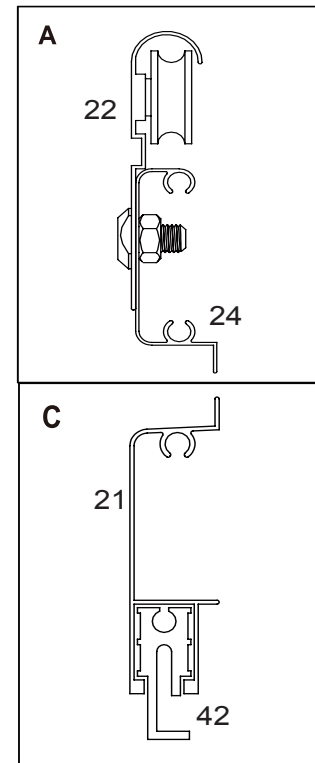
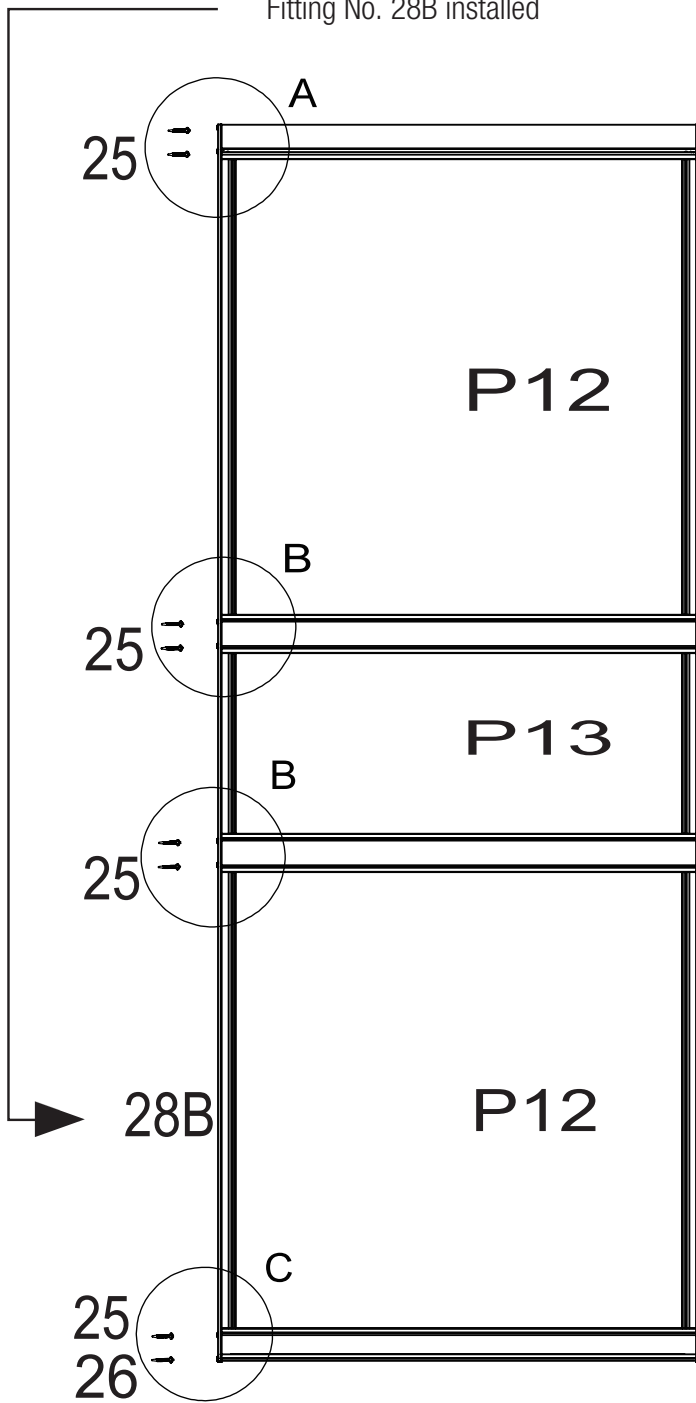
CELLO

Right door

Fitting No. 28B installed








Assemble the frame of sliding door

Art.Nr.	Qty.	Picture	Dimension(mm)
25	7PC		
26	1PC		
28B	1PC		1600



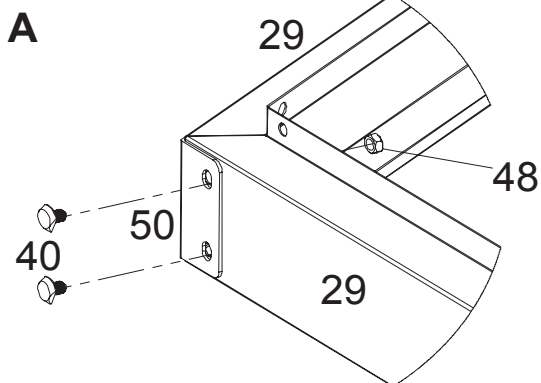
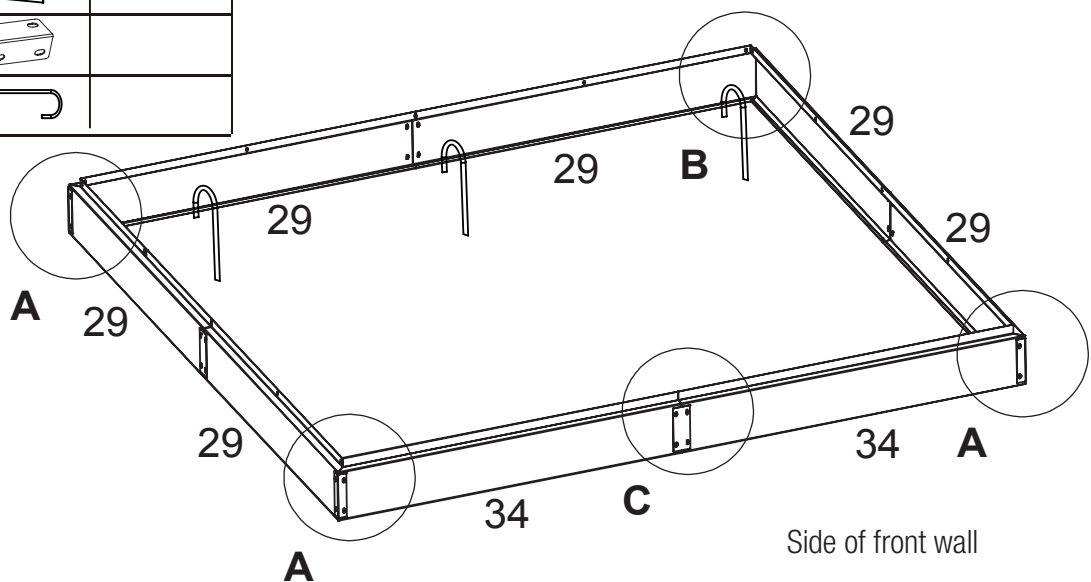
CELLO

Foundation assembling

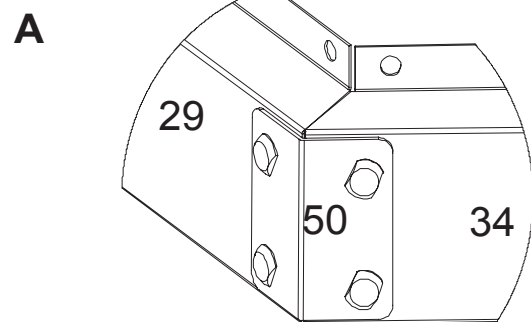
Art.Nr.	Qty.	Picture	Dimension(mm)
29	6PC		1232
34	2PC		1232
40	32PC		
48	32PC		
49	4PC		
50	4PC		
52	12PC		

Base Mount

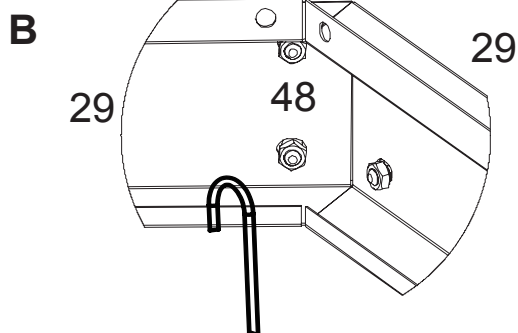
29/34 fittings are connected with fittings 49/50, then fixed from the outside with No. 40 screw and tightened with No. 48 nut.



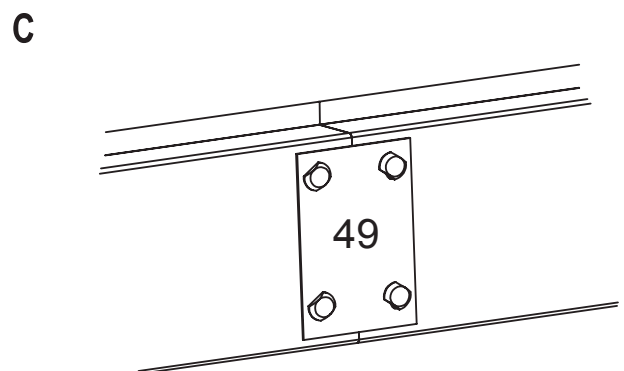
Section A is the outside. Please note the Assembly Directions 40 and 48



Part A is outside, please pay attention to number 34 assembling direction







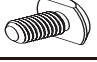

Section B is the inside, please note the 40 assembly direction



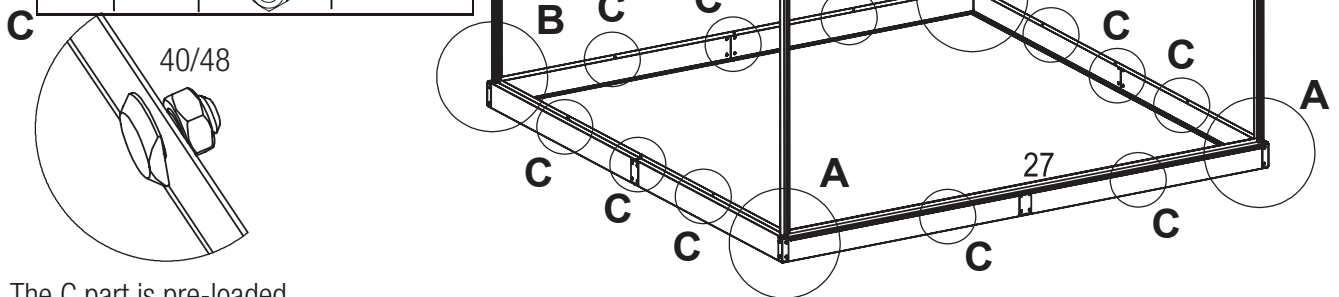
Part C is outside, please pay attention to number 49 assembling direction

CELLO

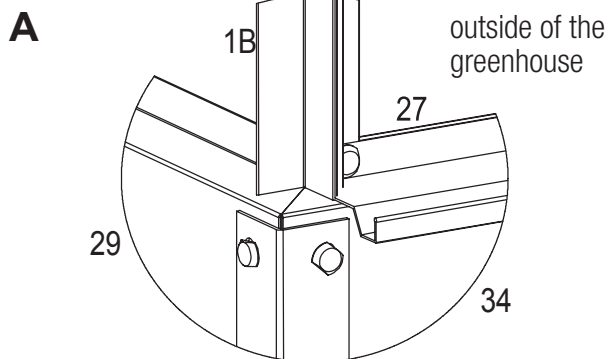
ASSEMBLE THE FRAME OF WALLS

Art.Nr.	Qty.	Picture	Dimension(mm)
3	2PC		1670
1A	1PC		2217
1B	1PC		2217
27	1PC		2408
40	19PC		
48	19PC		

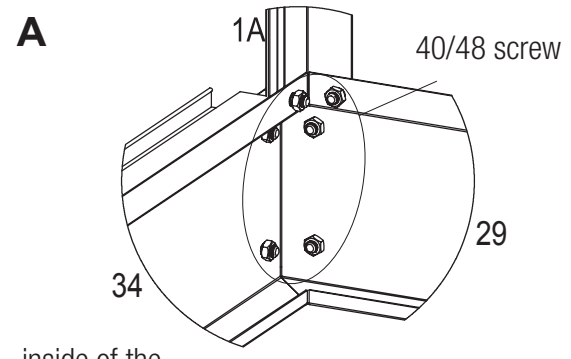
Two people are needed in this assembly phase!



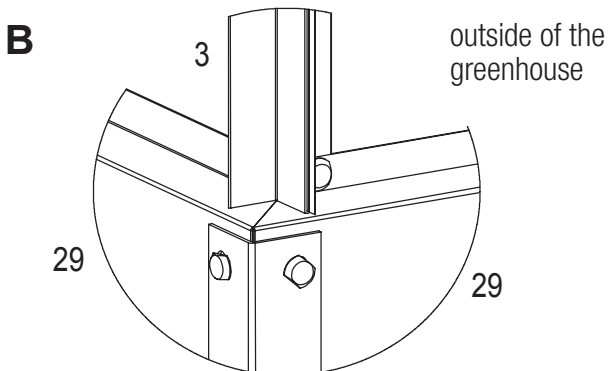
The C part is pre-loaded with screws



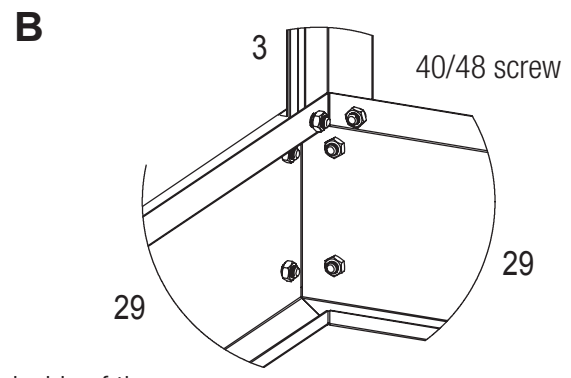
Fitting 1/27 is screwed to the base



inside of the greenhouse



The No. 3 fitting is fixed on the base



inside of the greenhouse

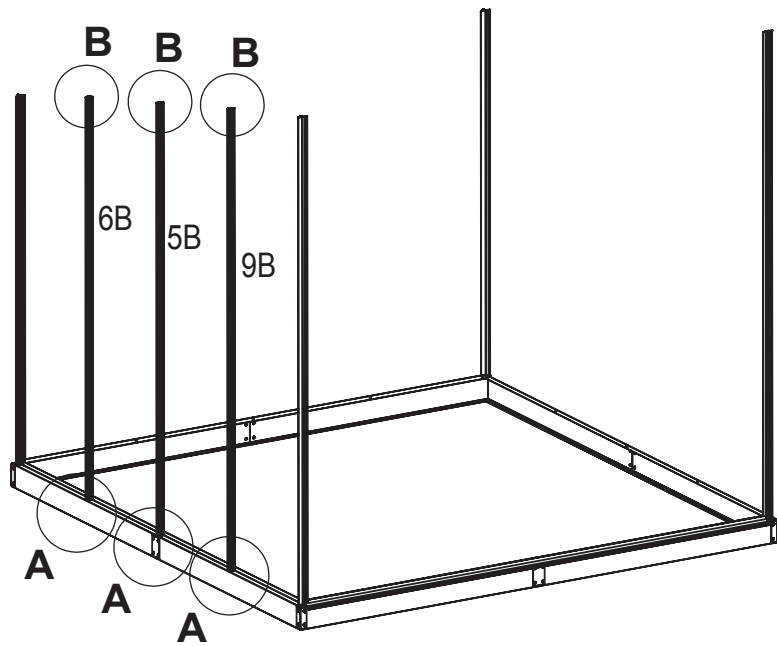
CELLO

ASSEMBLE THE FRAME OF WALLS



Art.Nr.	Qty.	Picture	Dimension(mm)
5B	1PC		1957
6B	1PC		1829
9B	1PC		2098
40	6PC		
48	6PC		

Two people are needed in this assembly phase!



Left

<p>A</p> <p>6B 5B 9B outside of the greenhouse</p> <p>29</p> <p>5B/6B/9B is fixed to the base</p>	<p>A</p> <p>6B 5B 9B inside of the greenhouse</p> <p>40/48 screw</p> <p>29</p>
<p>B</p> <p>40/48</p> <p>5B/6B pre-set 2 screws</p> <p>The B part is pre-loaded with screws</p>	

CELLO

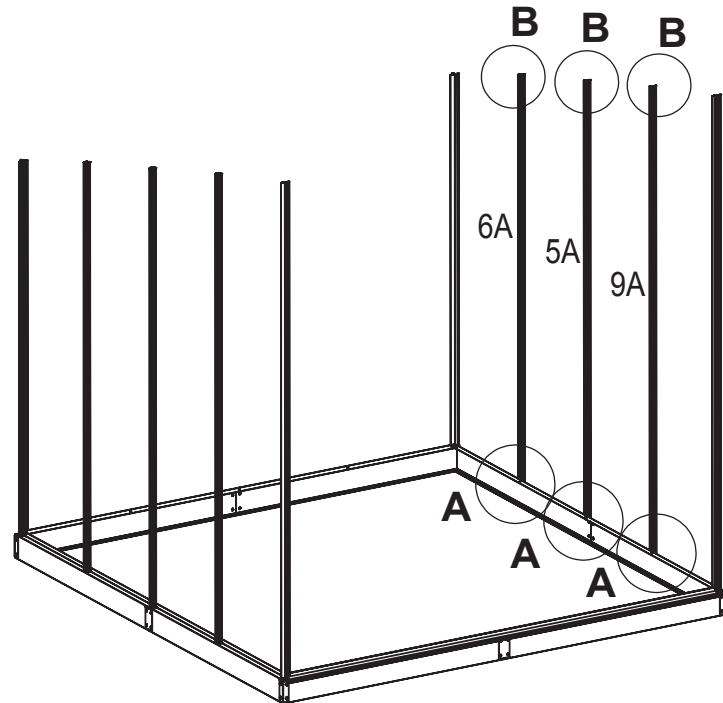
ASSEMBLE THE FRAME OF WALLS



Art.Nr.	Qty.	Picture	Dimension(mm)
5A	1PC		1957
6A	1PC		1829
9A	1PC		2098
40	6PC		
48	6PC		

Two people are needed in this assembly phase!

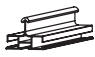
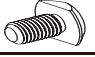

Right



<p>A</p> <p>6A 5A 9A outside of the greenhouse</p> <p>29</p> <p>5B/6b/9b is fixed to the base</p>	<p>A</p> <p>6A 5A 9A</p> <p>40/48 screw</p> <p>29</p> <p>inside of the greenhouse</p>
<p>B</p> <p>40/48</p> <p>5A/6A pre-set 2 screws</p> <p>The B part is pre-loaded with screws</p>	

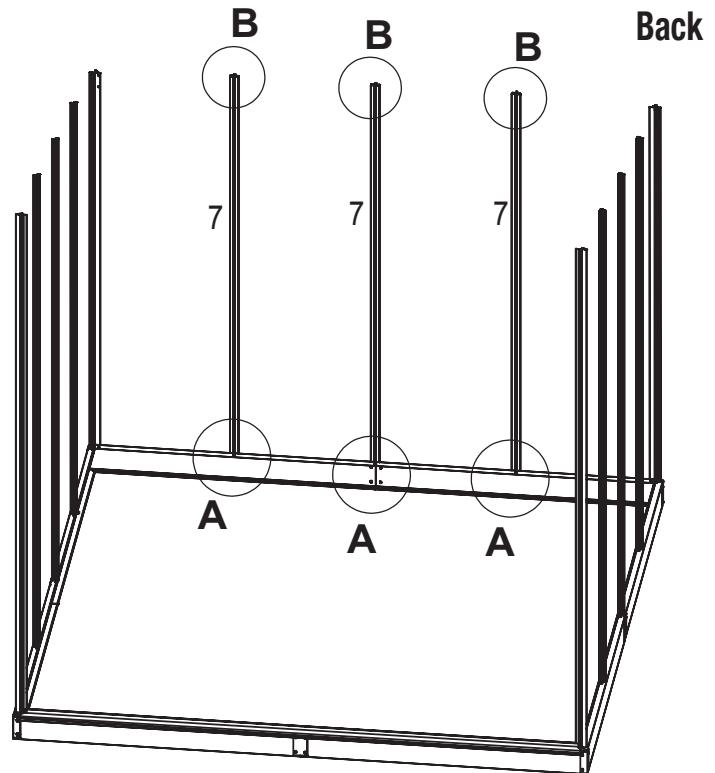
CELLO

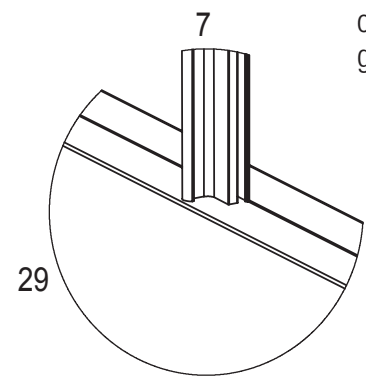
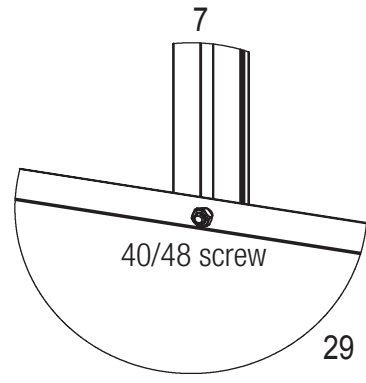
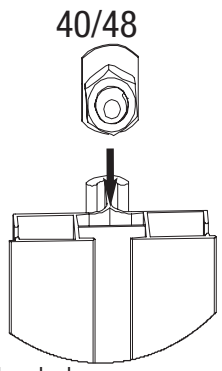
ASSEMBLE THE FRAME OF WALLS

Art.Nr.	Qty.	Picture	Dimension(mm)
7	1PC		1695
40	6PC		
48	6PC		



Two people are needed in this assembly phase!



<p>A</p>  <p>7</p> <p>outside of the greenhouse</p> <p>29</p> <p>The No. 7 fitting is fixed on the base</p>	<p>A</p>  <p>7</p> <p>40/48 screw</p> <p>inside of the greenhouse</p> <p>29</p>
<p>B</p>  <p>40/48</p> <p>The B part is pre-loaded with one screw</p>	

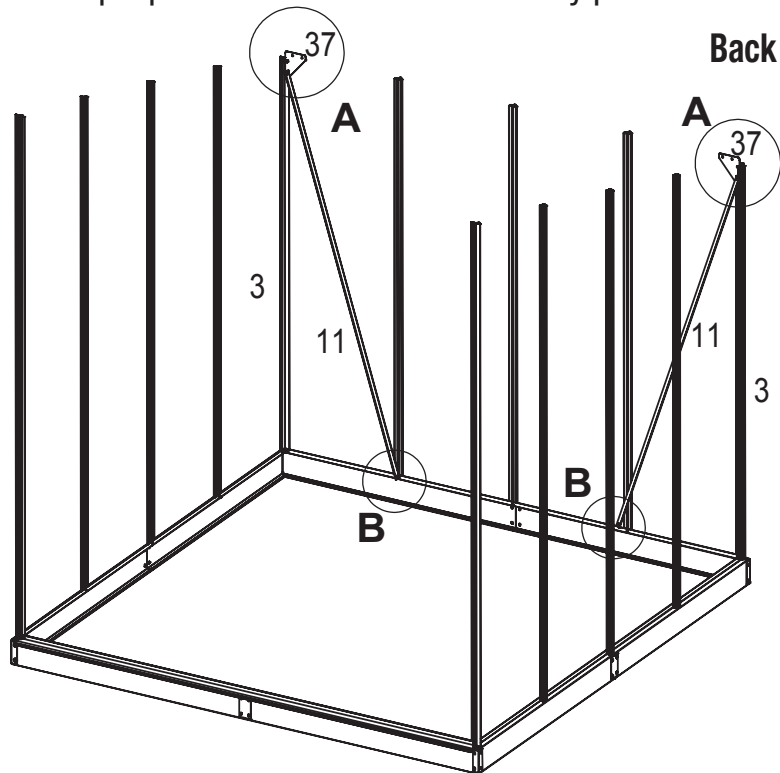
CELLO

ASSEMBLE THE FRAME OF WALLS



Art.Nr.	Qty.	Picture	Dimension(mm)
11	2PC		1720
37	2PC		
40	6PC		
48	6PC		

Two people are needed in this assembly phase!



<p>A</p> <p>inside of the greenhouse</p> <p>37</p> <p>40/48 screw</p> <p>3</p> <p>11</p> <p>Fitting No. 37 first, fitting No. 11 next</p>	<p>B</p> <p>11</p> <p>7</p> <p>40/48 screw</p> <p>inside of the greenhouse</p>
<p>A</p> <p>inside of the greenhouse</p> <p>37</p> <p>40/48 screw</p> <p>11</p> <p>3</p> <p>Fitting No. 37 first, fitting No. 11 next</p>	<p>B</p> <p>7</p> <p>11</p> <p>40/48 screw</p> <p>inside of the greenhouse</p>

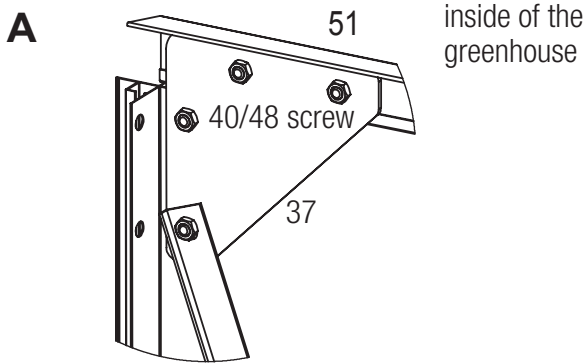
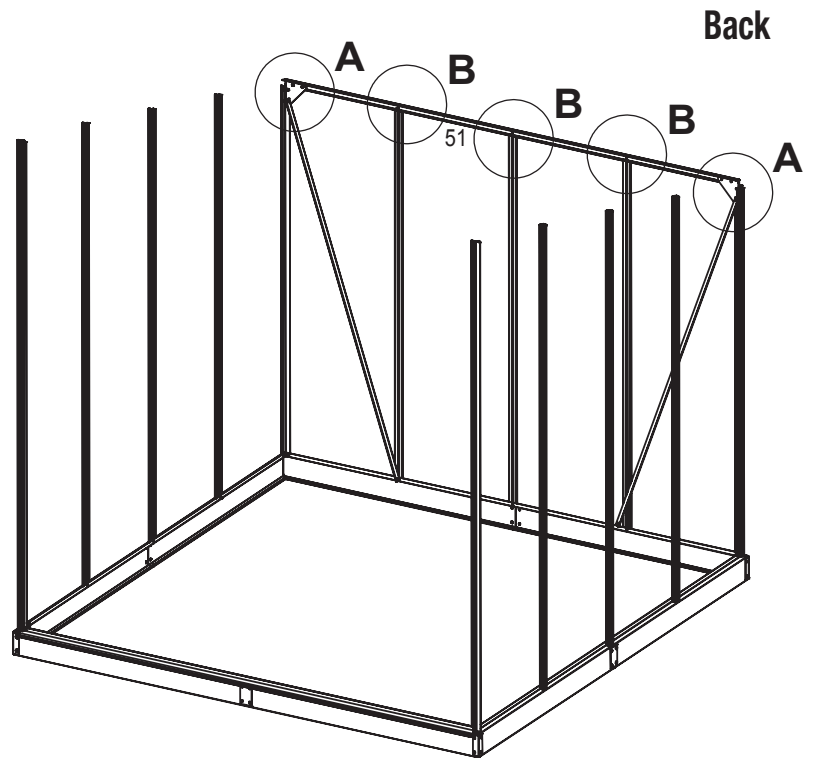
CELLO

ASSEMBLE THE FRAME OF WALLS

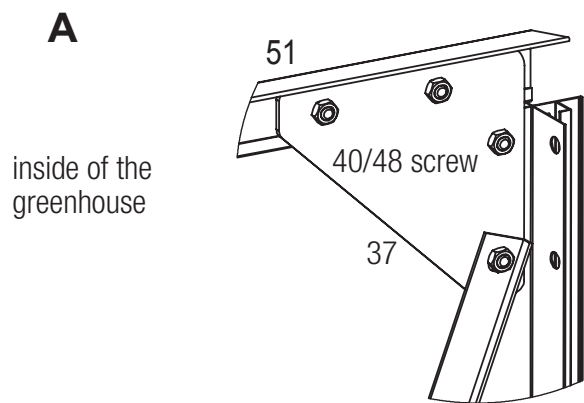


Art.Nr.	Qty.	Picture	Dimension(mm)
51	1PC		
40	4PC		
48	4PC		

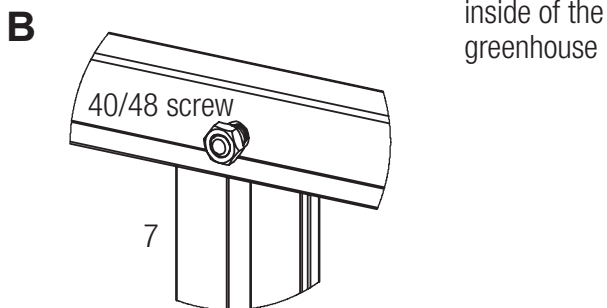
Two people are needed in this assembly phase!



Fitting No. 51 is fixed on No. 37



Fitting No. 51 is fixed on No. 37



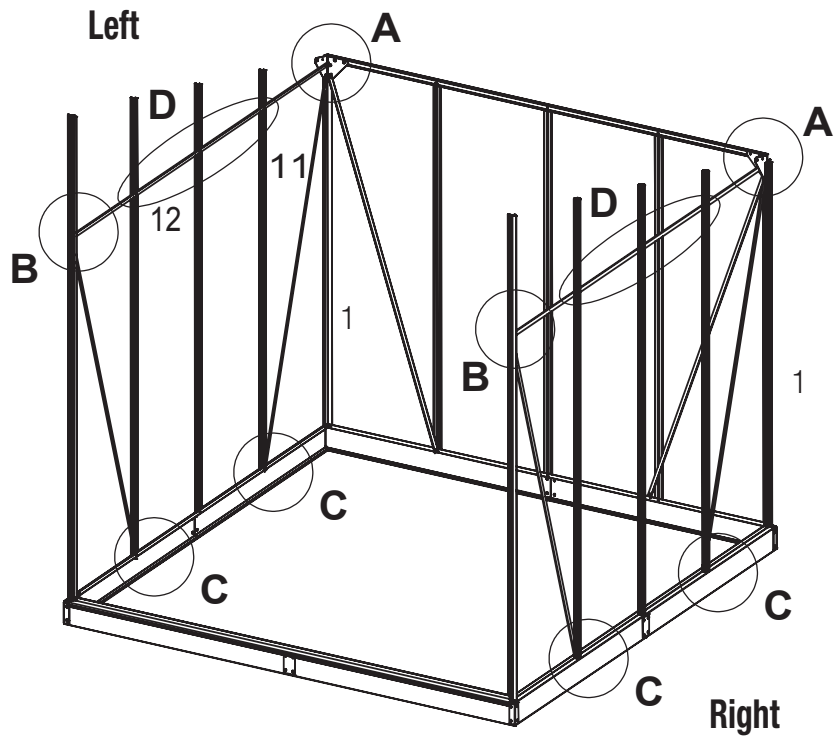
Fitting No. 51 is fixed on No. 7

ASSEMBLE THE FRAME OF WALLS

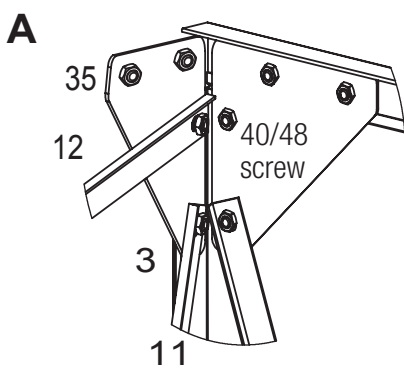


Art.Nr.	Qty.	Picture	Dimension(mm)
11	4PC		1720
12	2PC		2400
35	2PC		
40	22PC		
48	22PC		

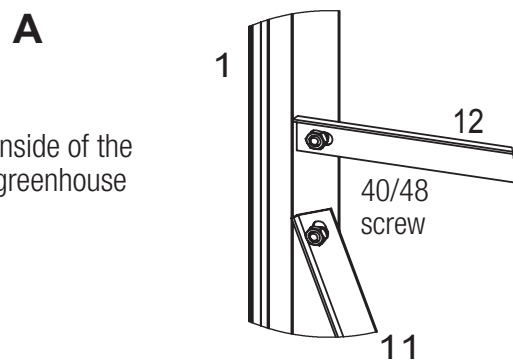
Two people are needed in this assembly phase!



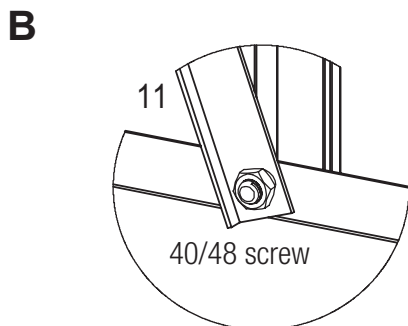
Fitting No. 35 first with mounting screws



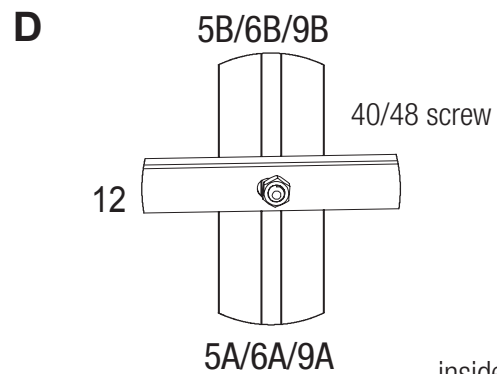
Fix 11/12/35 together on fitting 3. Note the 11/12 mounting position



11/12/fixed together on fitting No. 1



inside of the greenhouse



inside of the greenhouse

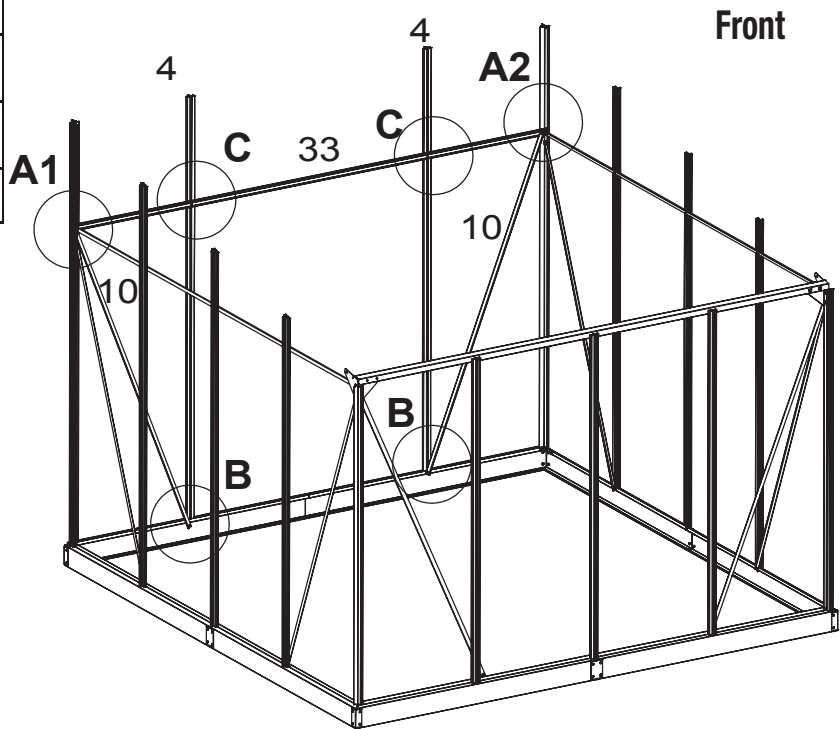
CELLO

ASSEMBLE THE FRAME OF WALLS

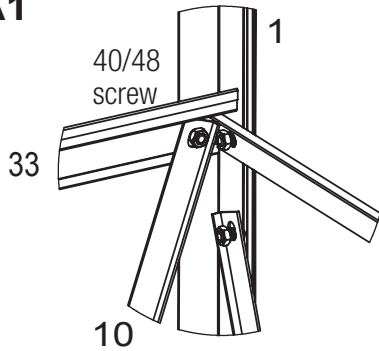


Art.Nr.	Qty.	Picture	Dimension(mm)
4	2PC		2230
10	2PC		1765
33	1PC		2406
40	8PC		
48	8PC		

Two people are needed in this assembly phase!



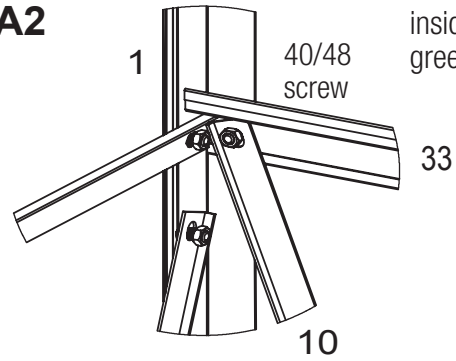
A1



inside of the greenhouse

10/33 fixed together on fitting 1

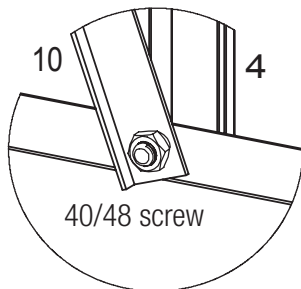
A2



inside of the greenhouse

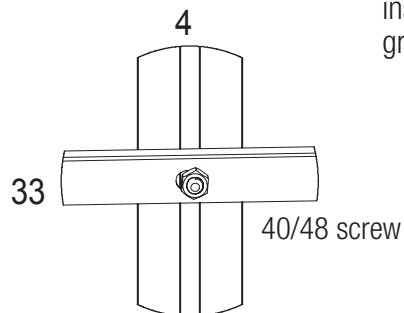
10/33 fixed together on fitting 1

B



inside of the greenhouse

C



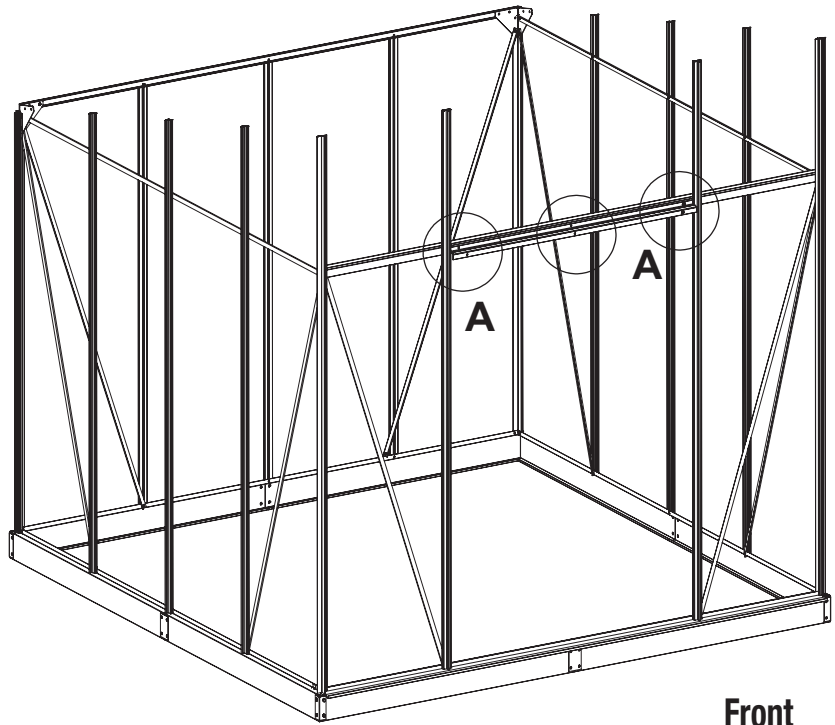
inside of the greenhouse

Number 33 is attached to number 4

ASSEMBLE THE FRAME OF WALLS



Art.Nr.	Qty.	Picture	Dimension(mm)
14	1PC		1176
40	3PC		
48	3PC		



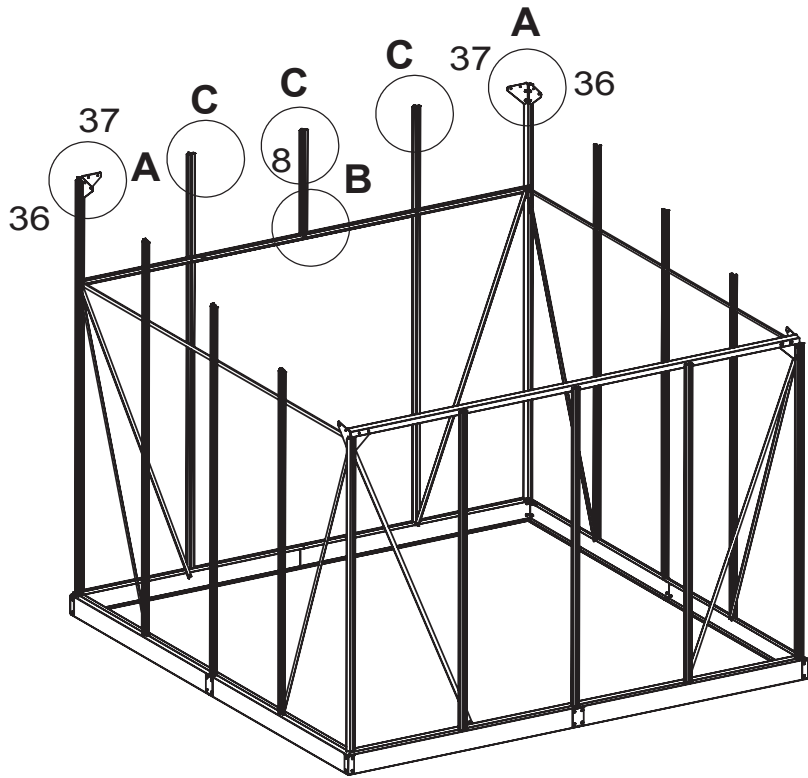
Front

<p>A</p> <p>40/48 screw</p> <p>33</p> <p>14</p> <p>4</p> <p>outside of the greenhouse</p> <p>Number 14 is fixed to number 33</p>	<p>A</p> <p>40/48 screw</p> <p>33</p> <p>4</p> <p>14</p> <p>outside of the greenhouse</p> <p>Number 14 is fixed to number 33</p>

ASSEMBLE THE FRAME OF WALLS

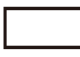



Art.Nr.	Qty.	Picture	Dimension(mm)
8	1PC		568
36	2PC		
37	2PC		
40	16PC		
48	16PC		



<p>A</p> <p>Fitting No. 36 first with mounting screws</p> <p>40/48 screw</p> <p>36</p> <p>37</p> <p>1</p> <p>inside of the greenhouse</p> <p>No. 36/37 is fixed to No. 1 fitting</p>	<p>B</p> <p>8</p> <p>inside of the greenhouse</p> <p>33</p> <p>40/48 screw</p> <p>Number 8 is attached to number 33</p>
<p>C</p> <p>40/48</p> <p>inside of the greenhouse</p> <p>The C part is pre-loaded with screws</p>	

MOUNTING WALL PC PANEL

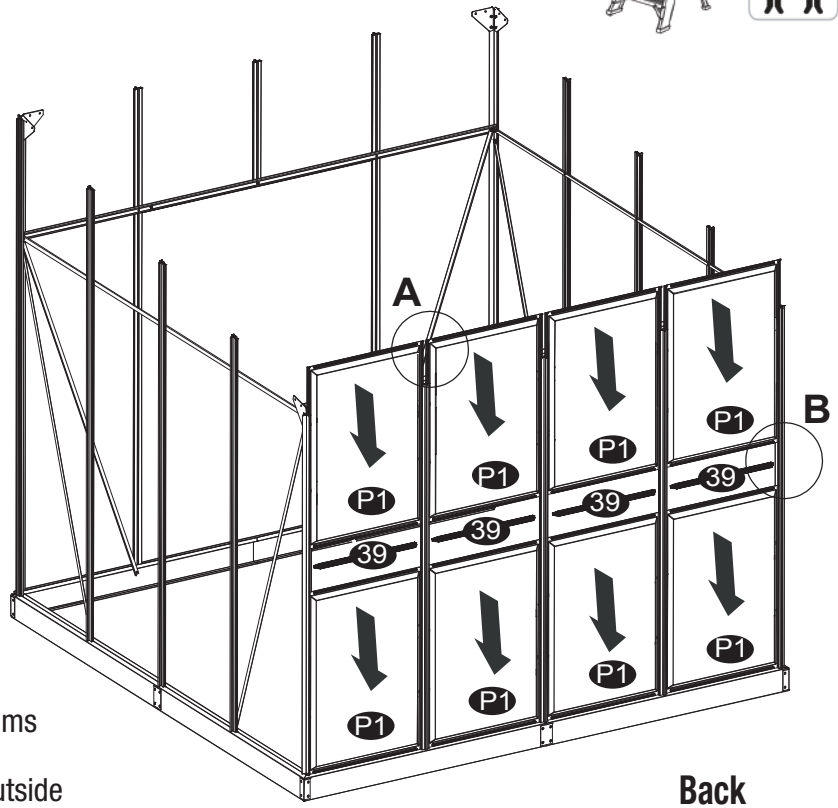
Art.Nr.	Qty.	Picture	Dimension(mm)
P1	8PC		845x590
39	4PC		568



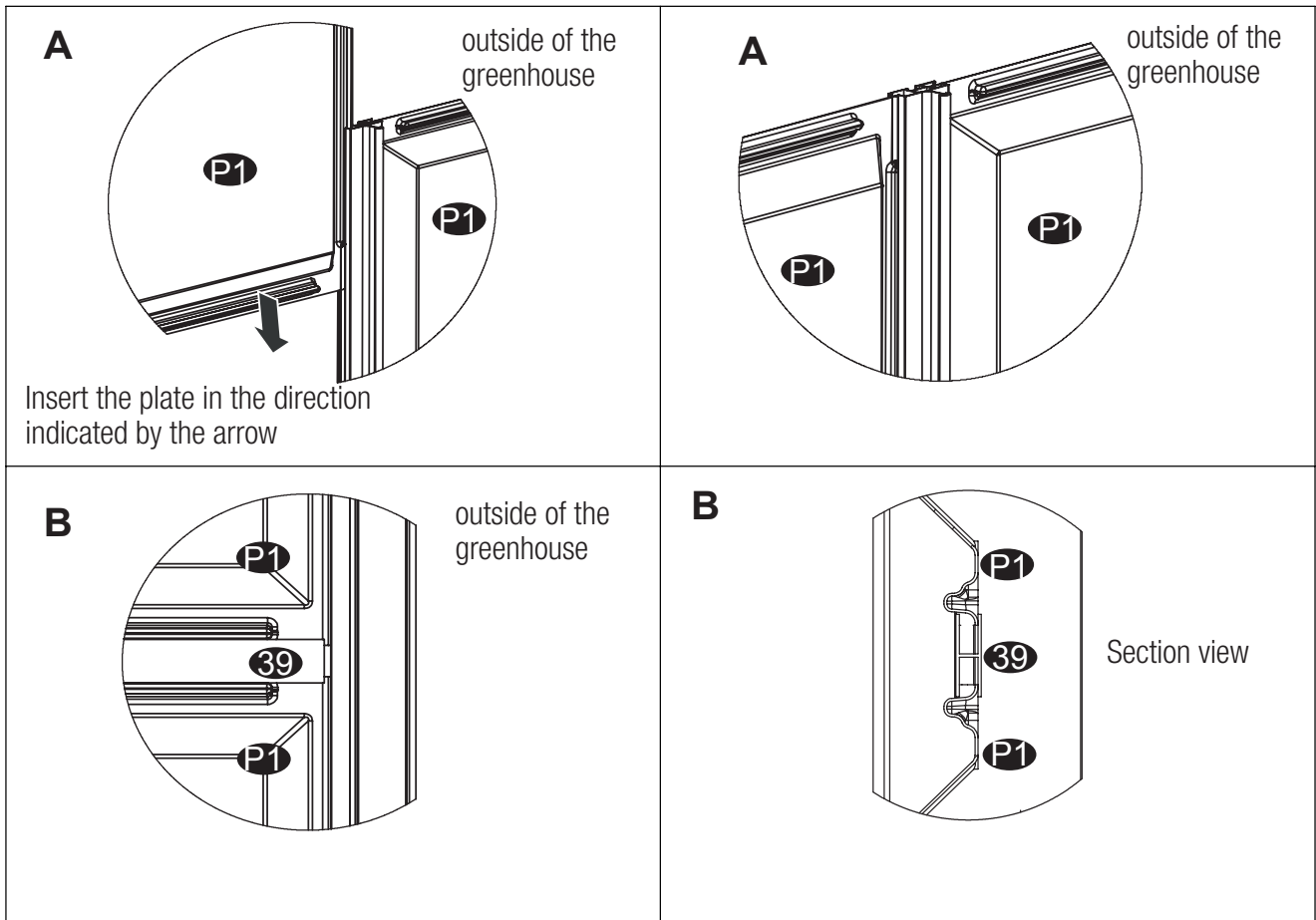
Green protective film on the 0,7 mm wall panels indicates the UV protected side of the panel.



Transparent protective film on the 0,7 mm wall panels indicates the UV unprotected side of the panel.



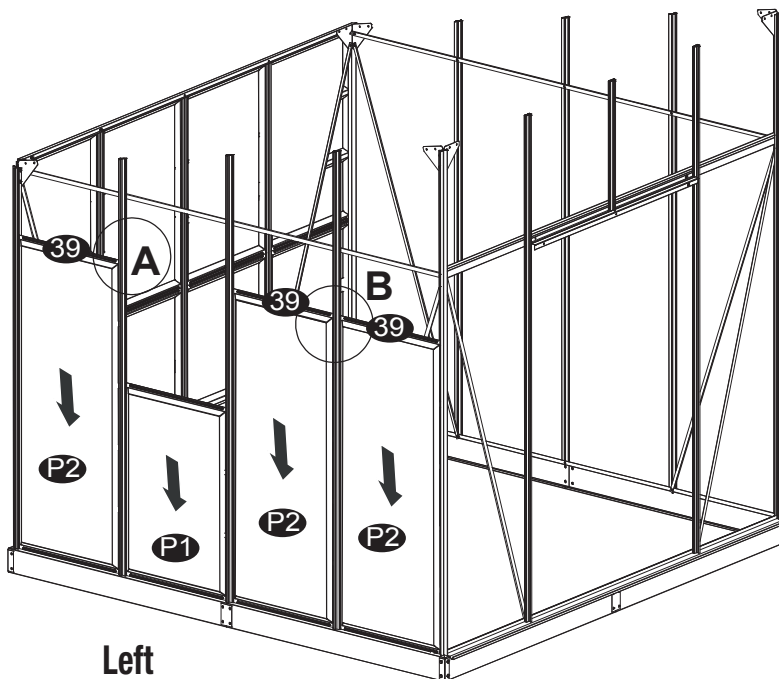
Please, note to remove the protective films from both sides of the wall panels. The concave side is UV-protected, place it outside the greenhouse.



MOUNTING WALL PC PANEL





Art.Nr.	Qty.	Picture	Dimension(mm)
P1	1PC		845x590
P2	3PC		1367x590
39	3PC		568



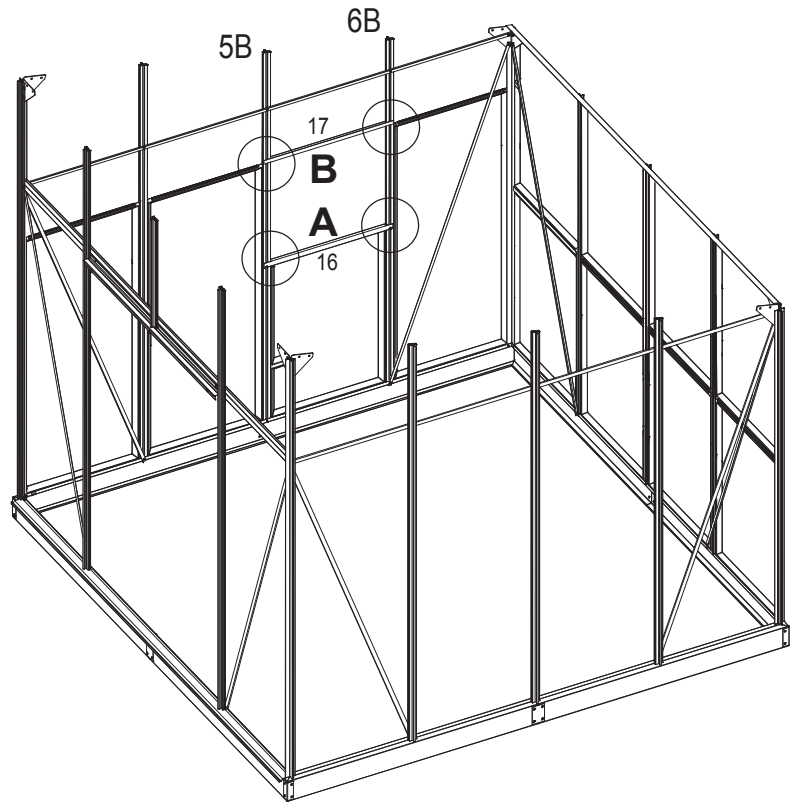
Remove the protective film on both sides of the panel

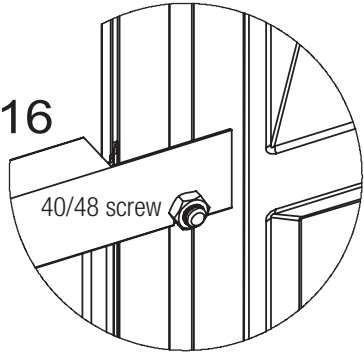
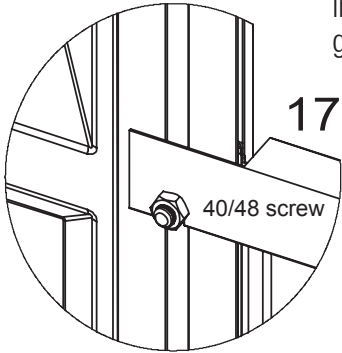

<p>A</p> <p style="text-align: right;">outside of the greenhouse</p> <p>Insert the plate in the direction indicated by the arrow</p>	<p>B</p> <p style="text-align: right;">outside of the greenhouse</p>
<p>A</p> <p style="text-align: right;">outside of the greenhouse</p>	<p>B</p> <p style="text-align: right;">Section view</p>

INSTALLATION OF VENTS IN THE WALL

Art.Nr.	Qty.	Picture	Dimension(mm)
16	1PC		635
17	1PC		638

Left



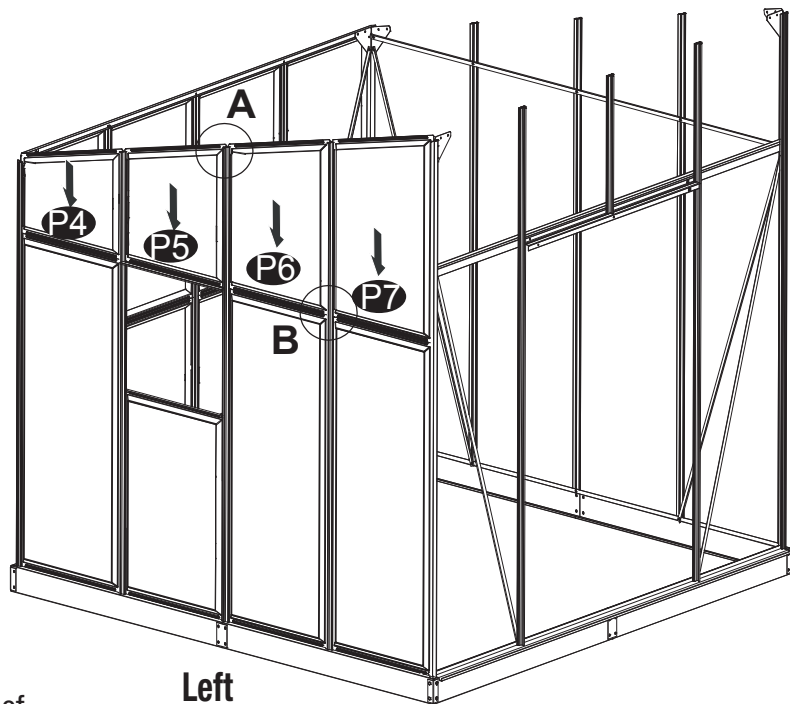
<p>A</p>  <p>inside of the greenhouse</p> <p>16</p> <p>40/48 screw</p> <p>Number 16 is fixed on 5B/6b</p>	<p>B</p>  <p>inside of the greenhouse</p> <p>17</p> <p>40/48 screw</p> <p>Number 17 is fixed on 5B/6b</p>
<p>A-B</p>  <p>17</p> <p>16</p> <p>A/B section installation view</p>	

CELLO

MOUNTING WALL PC PANEL

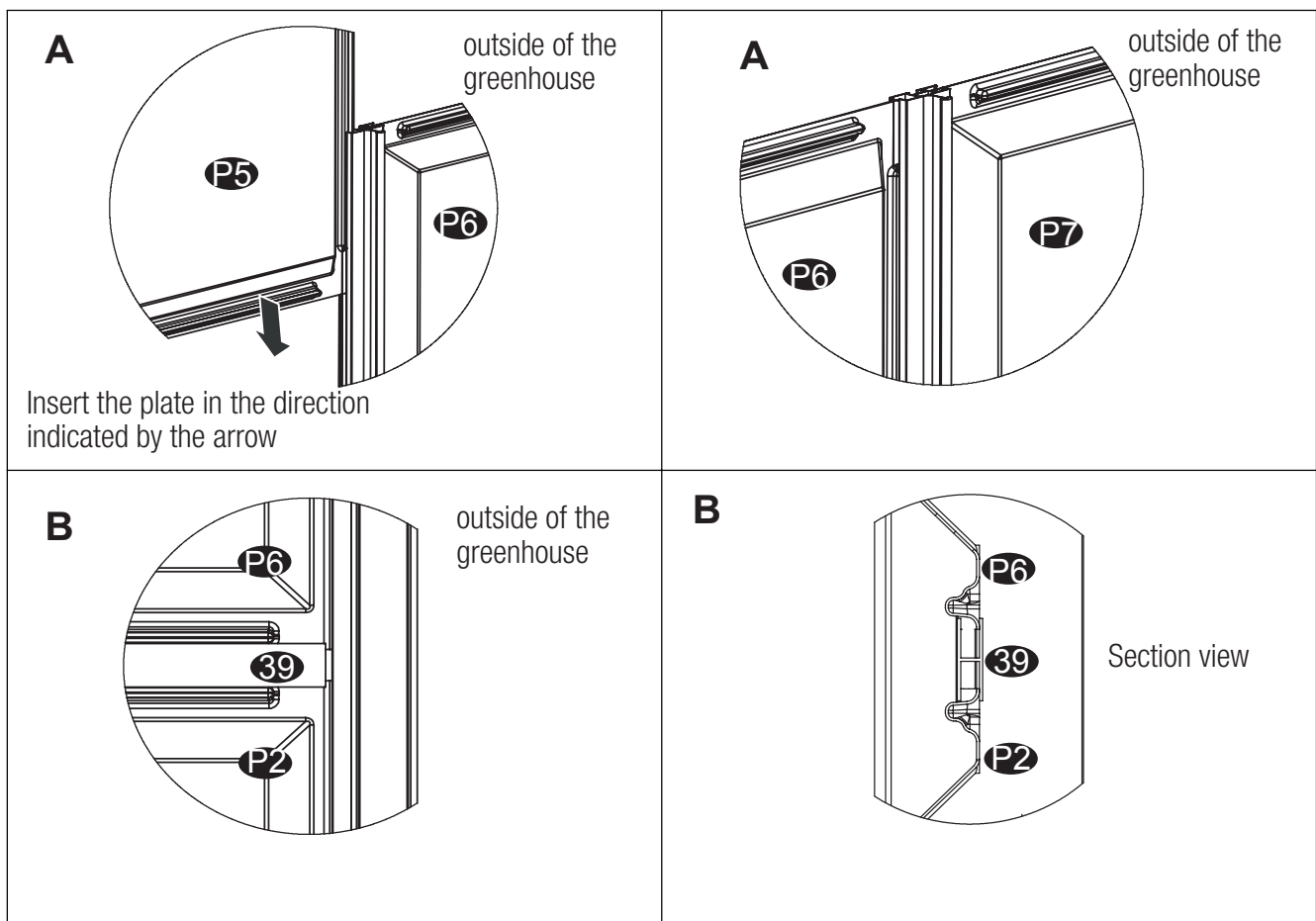


Art.Nr.	Qty.	Picture	Dimension(mm)
P4	1PC		450x590
P5	1PC		590x590
P6	1PC		720x585
P7	1PC		590x853



Left

Remove the protective film on both sides of the panel



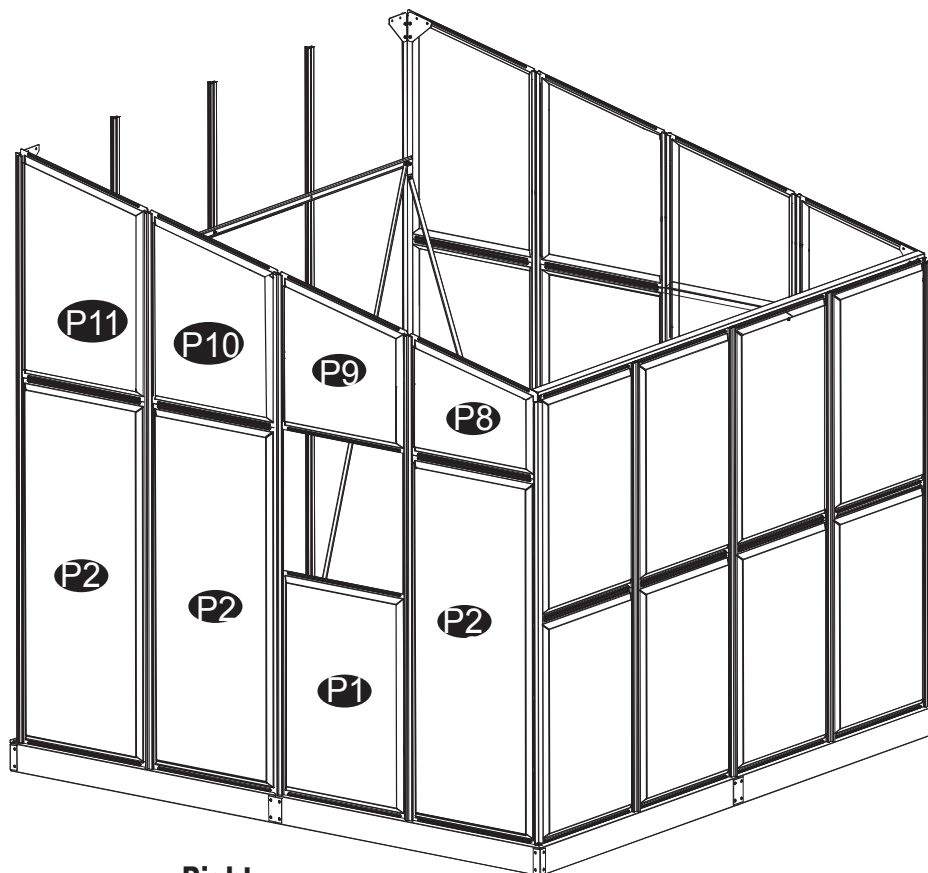
CELLO

MOUNTING WALL PC PANEL



Art.Nr.	Qty.	Picture	Dimension(mm)
P1	1PC		845x590
P2	3PC		1367x590
16	1PC		635
17	1PC		638

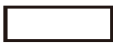

Art.Nr.	Qty.	Picture	Dimension(mm)
P8	1PC		450x590
P9	1PC		585x590
P10	1PC		720x590
P11	1PC		590x855

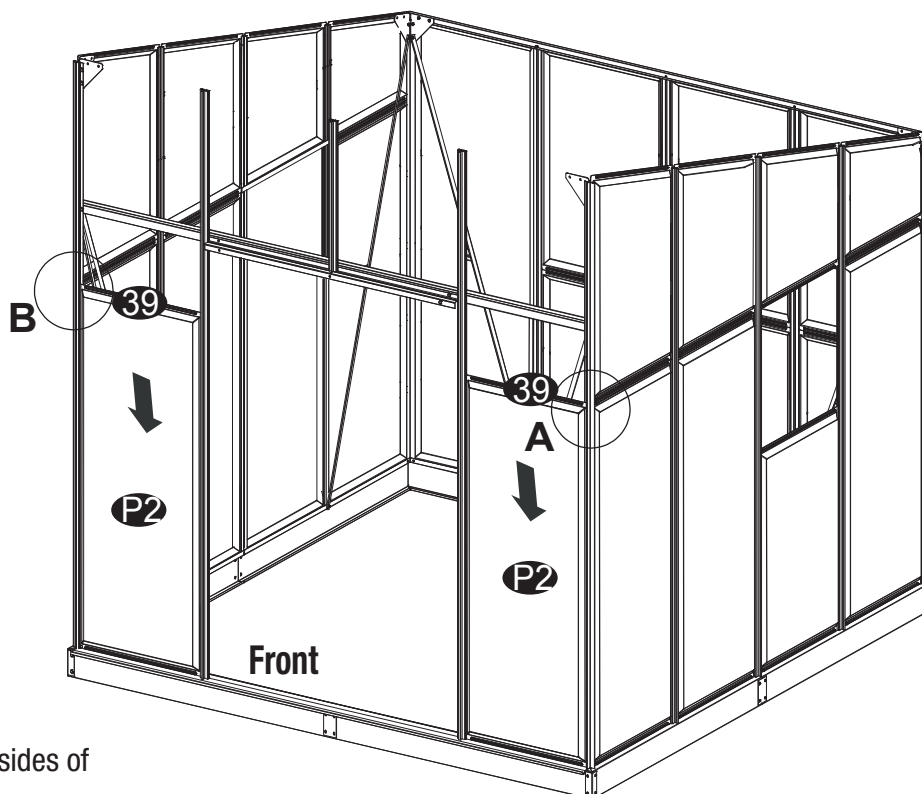


Right

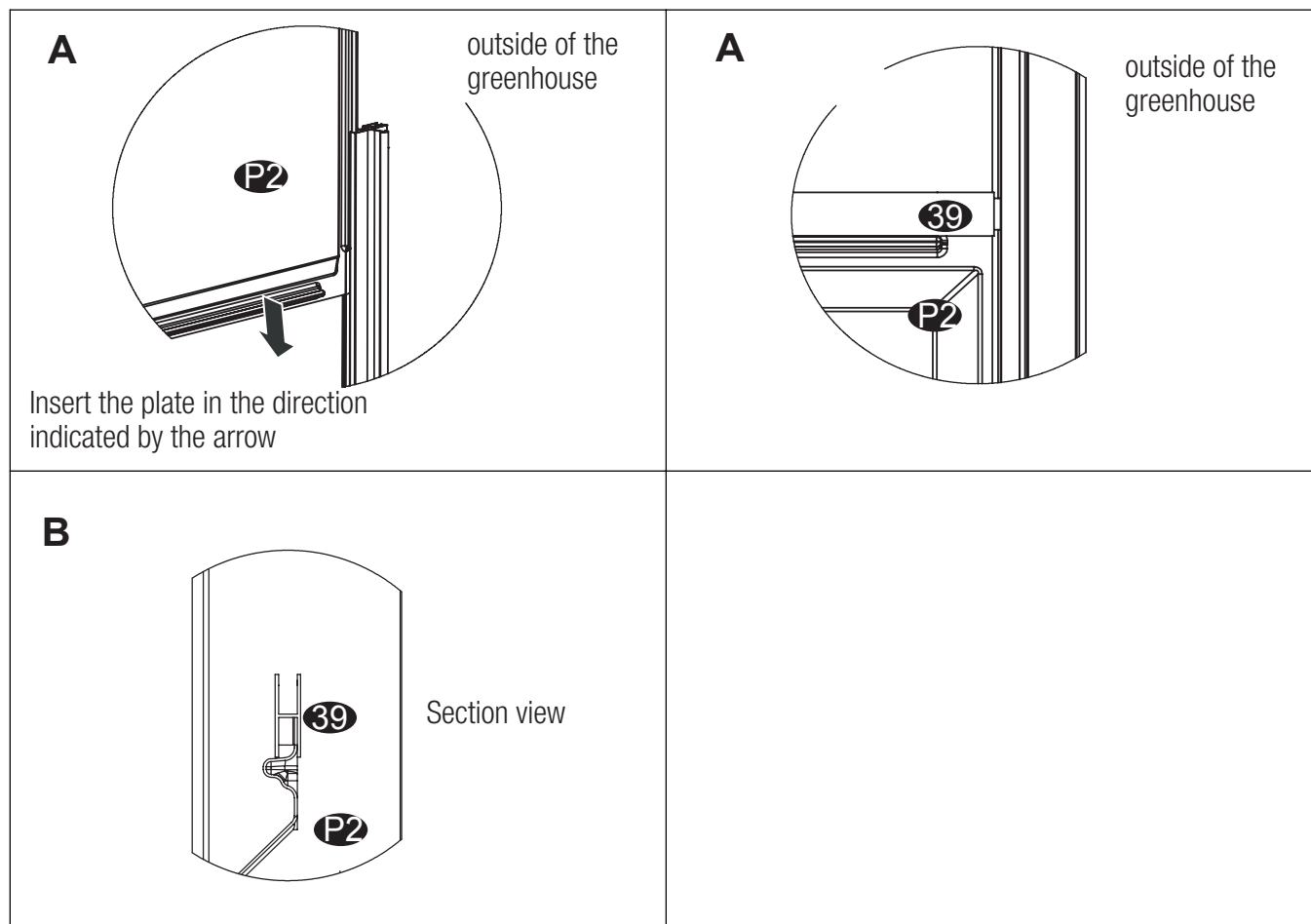
Please refer to page 24/25/26 for installation of the right plate

MOUNTING WALL PC PANEL

Art.Nr.	Qty.	Picture	Dimension(mm)
P2	2PC		1367X590
39	2PC		568



Remove the protective film on both sides of the panel

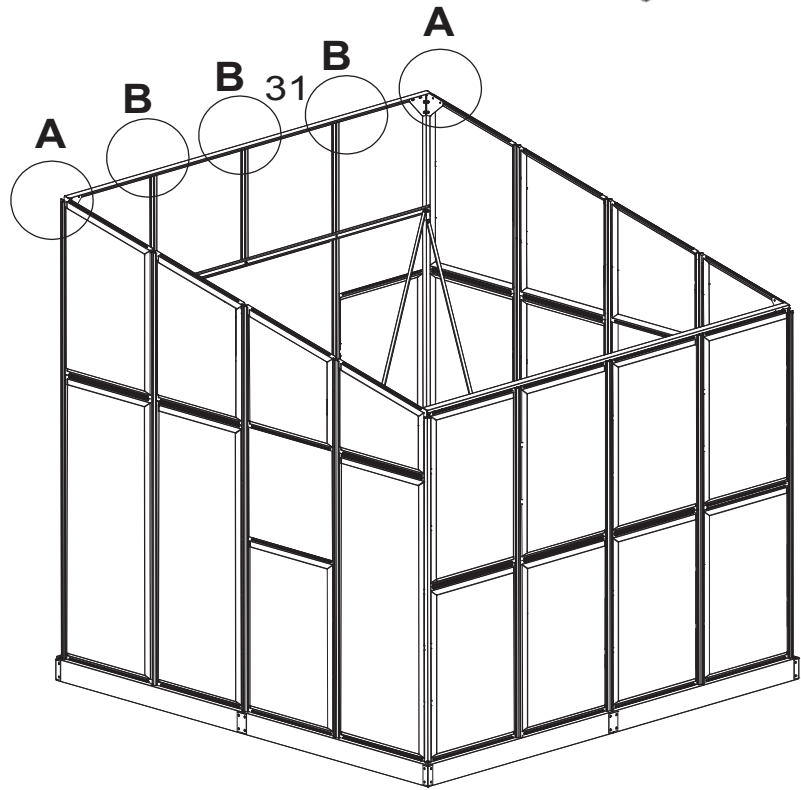


CELLO

ASSEMBLE THE FRAME OF WALLS



Art.Nr.	Qty.	Picture	Dimension(mm)
31	1PC		2406
40	7PC		
48	7PC		



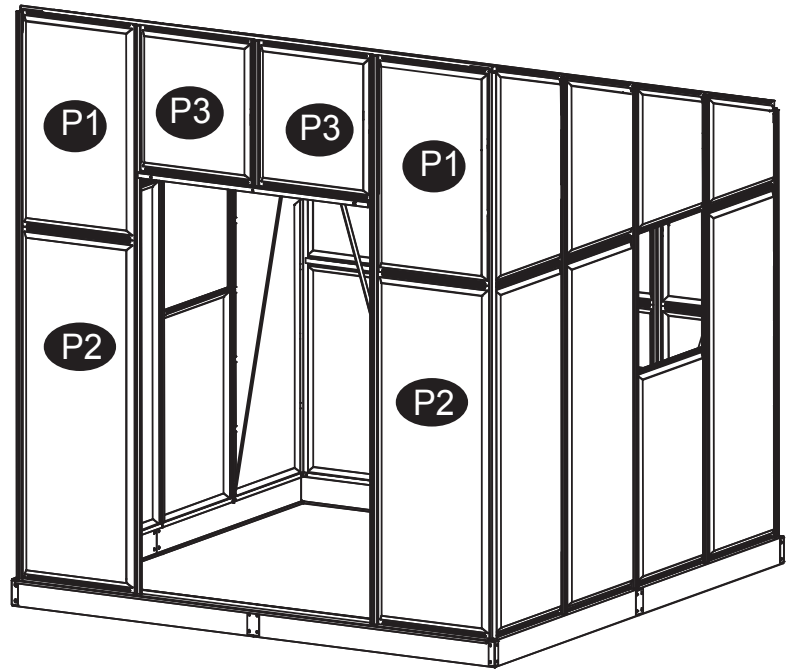
<p>A</p> <p>40/48 screw</p> <p>inside of the greenhouse</p> <p>Number 31 is attached to number 37</p>	<p>A</p> <p>40/48 screw</p> <p>inside of the greenhouse</p> <p>Number 31 is attached to number 37</p>
<p>B</p> <p>31</p> <p>inside of the greenhouse</p>	

CELLO

MOUNTING WALL PC PANEL



Art.Nr.	Qty.	Picture	Dimension(mm)
P1	2PC		845x590
P3	2PC		595x590



Remove the protective film on both sides of the panel

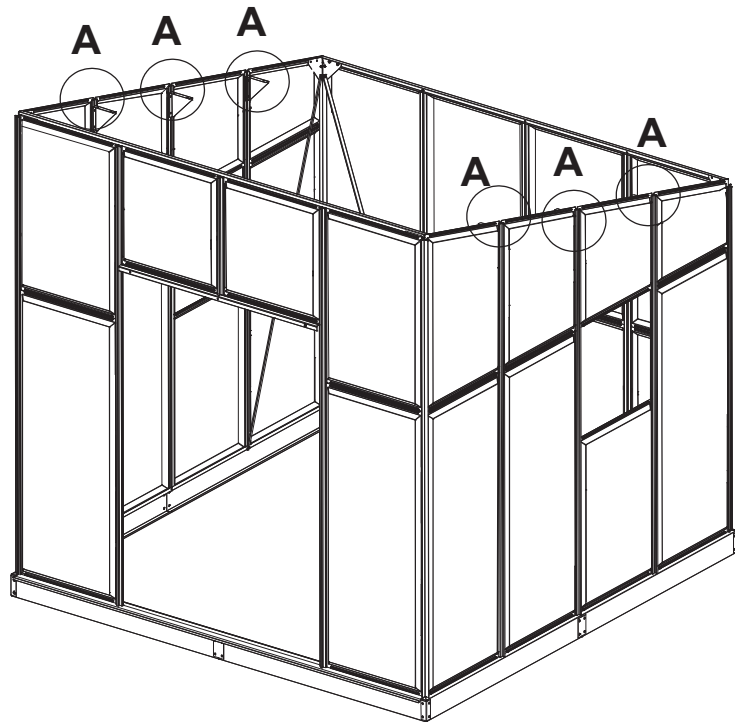
<p>A</p> <p>outside of the greenhouse</p> <p>Insert the plate in the direction indicated by the arrow</p>	<p>A</p> <p>outside of the greenhouse</p>
<p>B</p> <p>outside of the greenhouse</p>	<p>B</p> <p>Section view</p>

CELLO

ROOF FITTING ASSEMBLY







Art.Nr.	Qty.	Picture	Dimension(mm)
38	6PC		
40	12PC		
48	12PC		

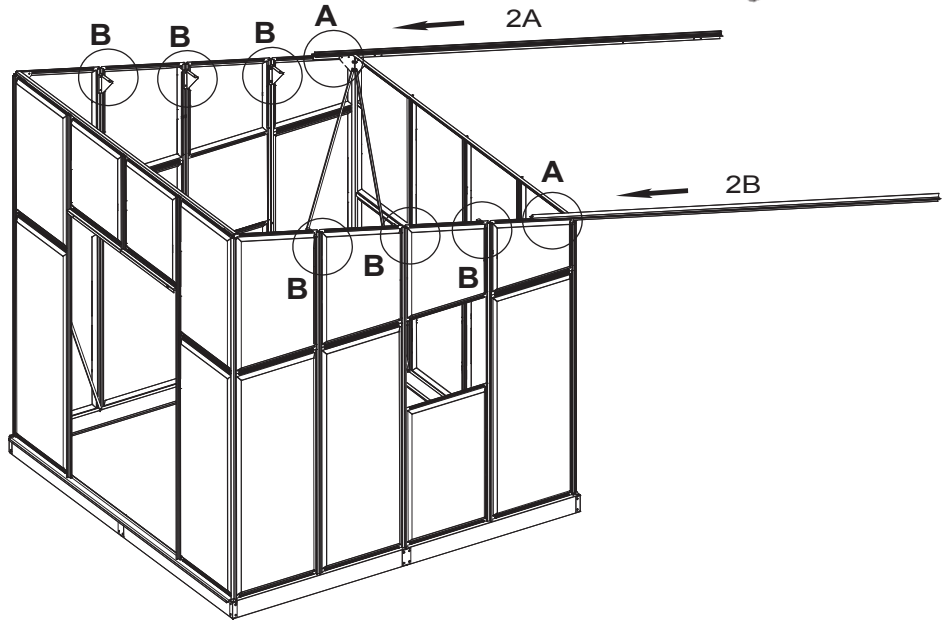


<p>A</p> <p>40/48 screw</p> <p>38</p> <p>No. 38 fitting screws first</p>	<p>A</p> <p>38</p> <p>outside of the greenhouse</p> <p>Insert fitting No. 38 in the direction indicated by the arrow. Do not tighten the screw first</p>

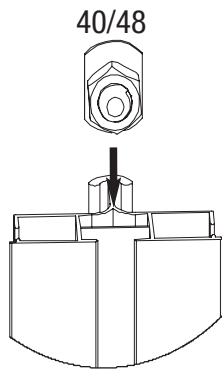
CELLO

ROOF FITTING ASSEMBLY

Art.Nr.	Qty.	Picture	Dimension(mm)
2A	1PC		2954
2B	1PC		2954
40	6PC		
48	6PC		



B



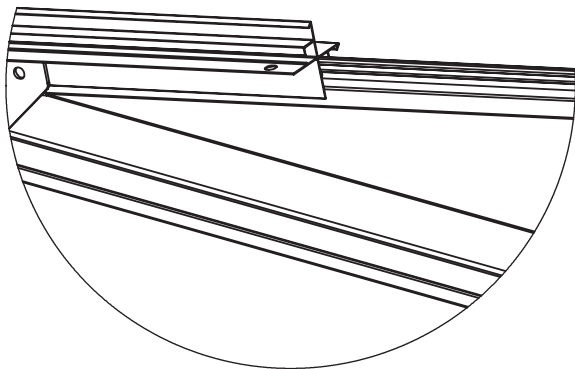
40/48

inside of the greenhouse

Pre-install screws before installing 2A/2B

A

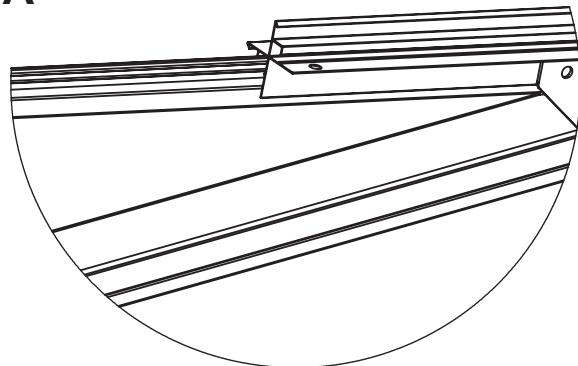
2B



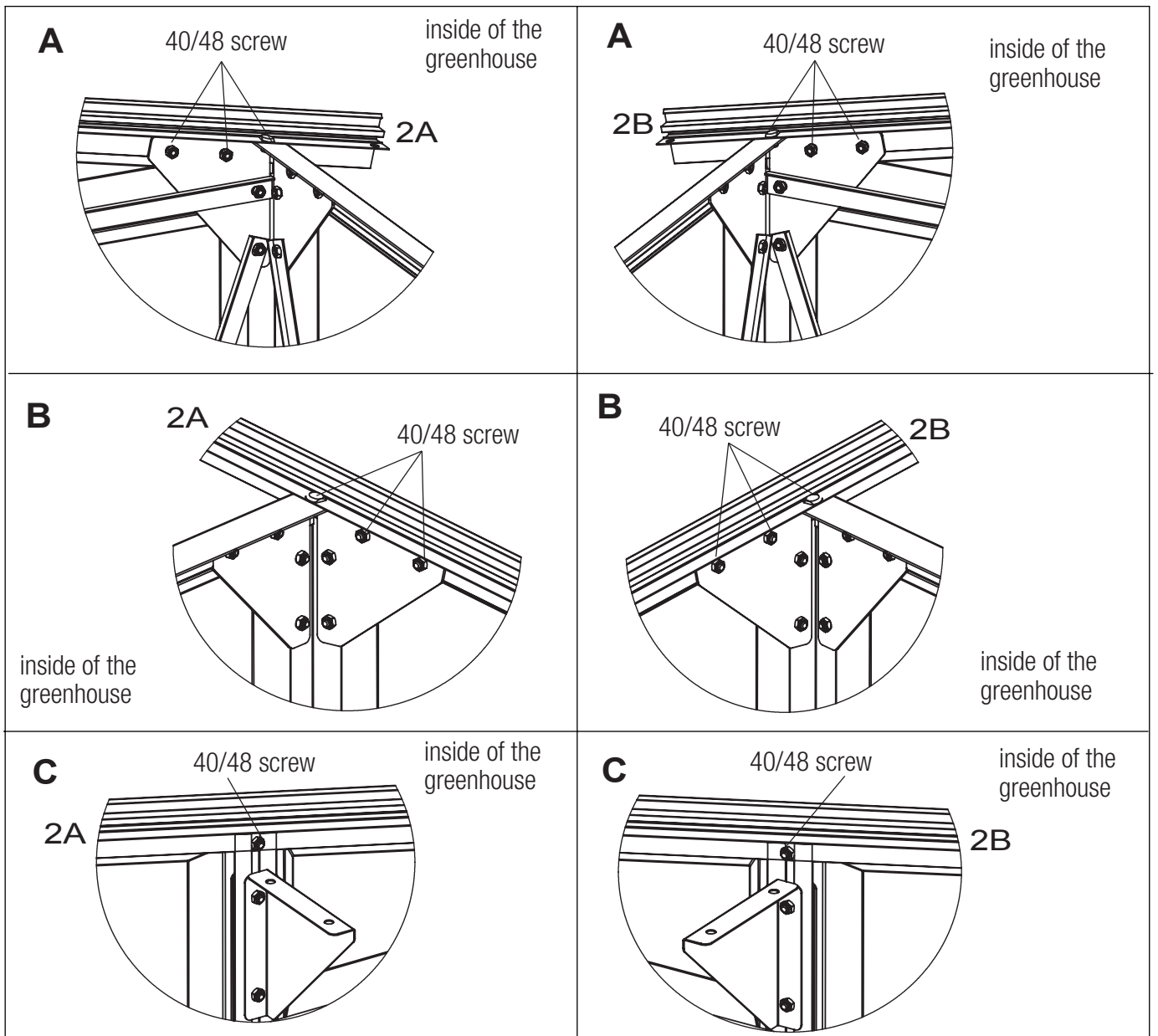
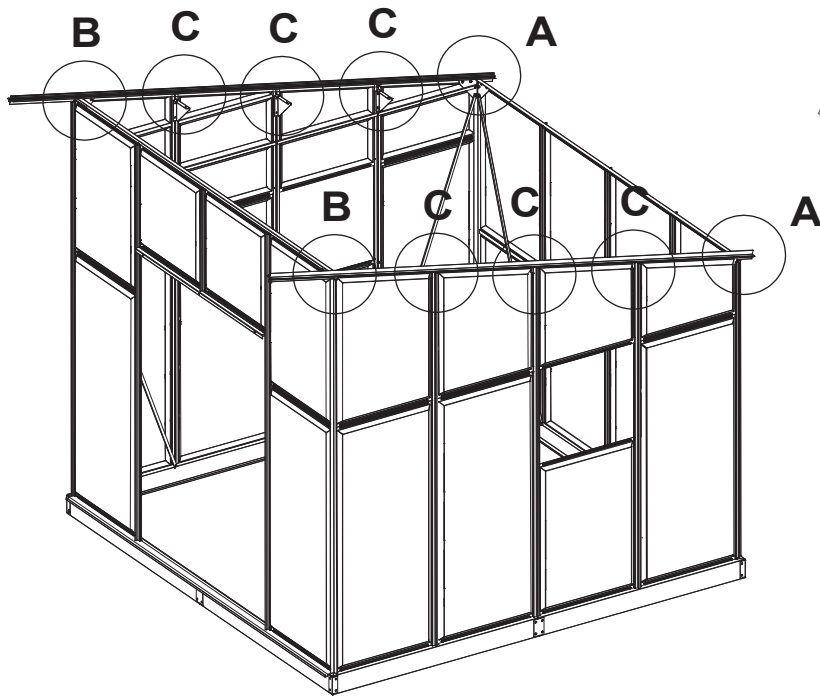
Insert fitting 2A/2B in the direction indicated by the arrow. Note the direction

A

2A



Insert fitting 2A/2B in the direction indicated by the arrow. Note the direction

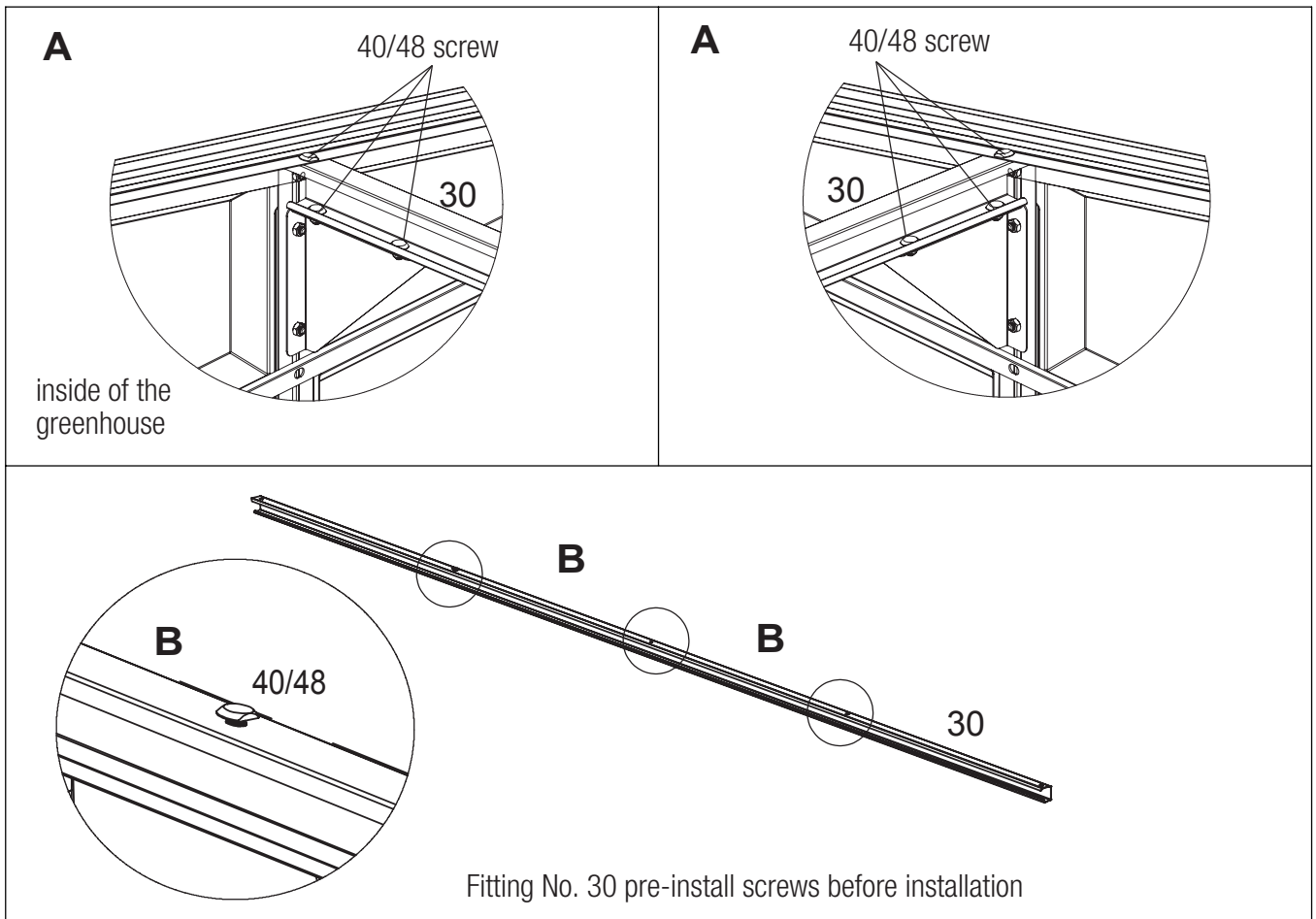
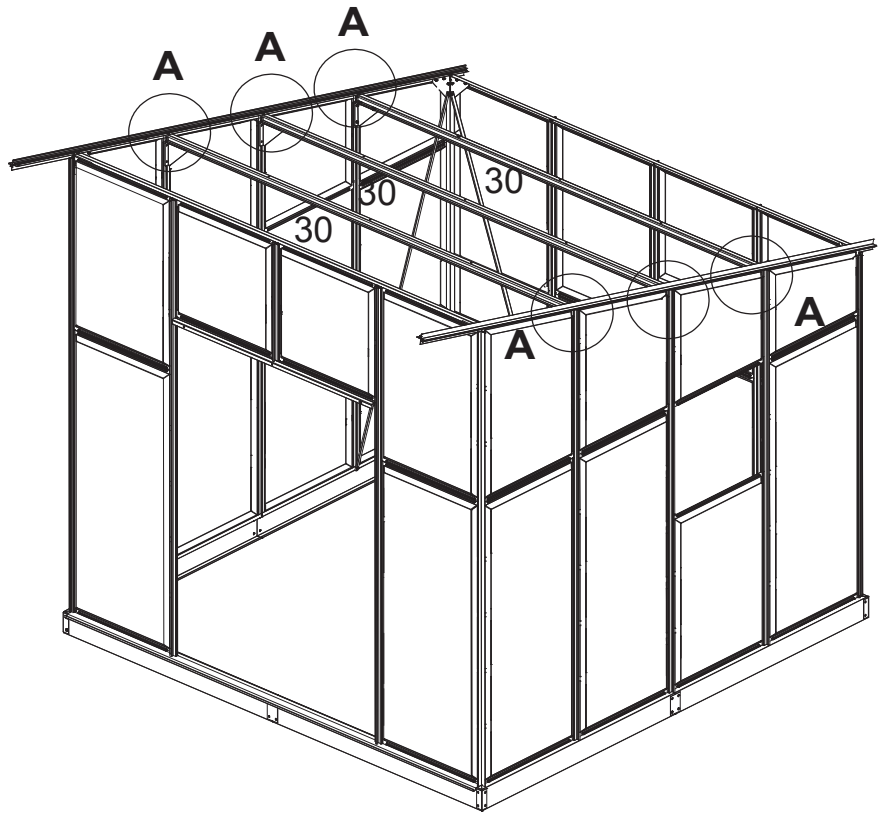


CELLO

ROOF ASSEMBLY



Art.Nr.	Qty.	Picture	Dimension(mm)
30	3PC		2406
40	21PC		
48	21PC		



CELLO

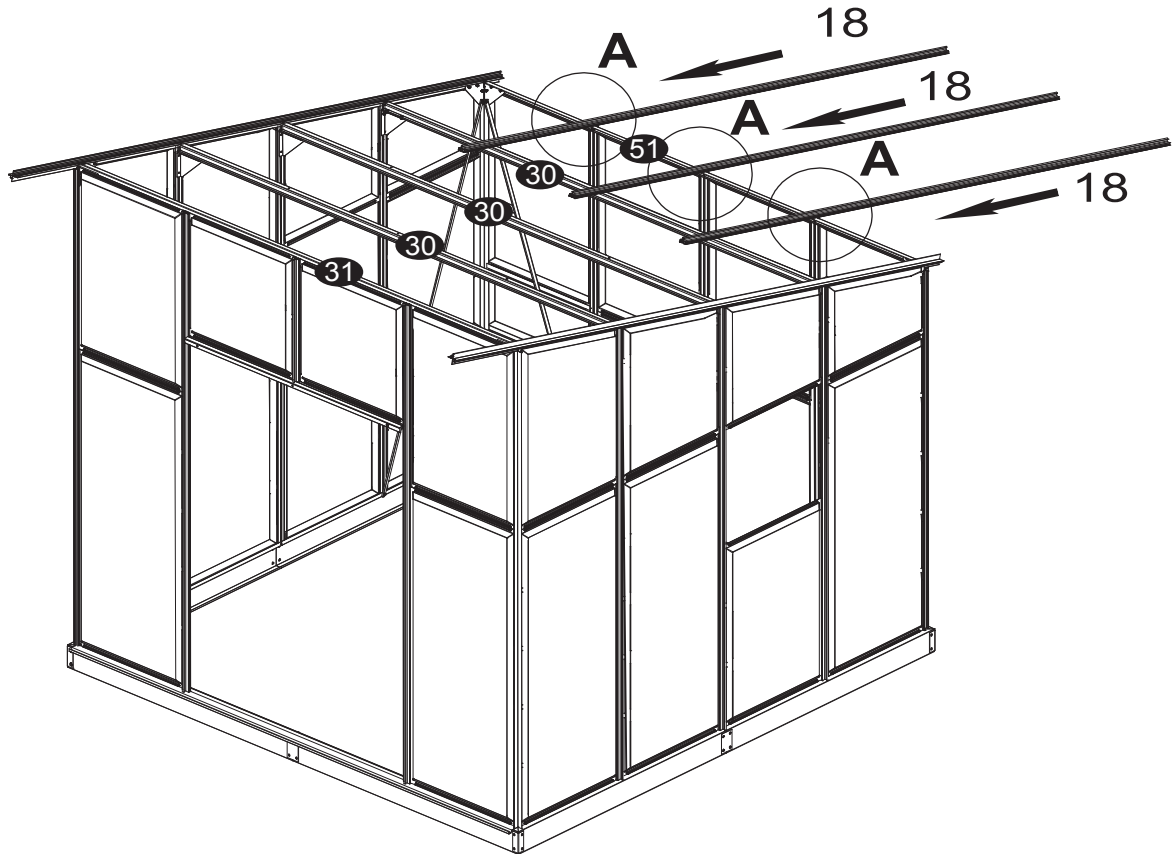
ROOF ASSEMBLY



Art.Nr.	Qty.	Picture	Dimension(mm)
18	3PC		2935
40	6PC		
48	6PC		

Pre-install screws 31/51 before fitting 18

Fitting 18 is inserted in the direction indicated by the arrow



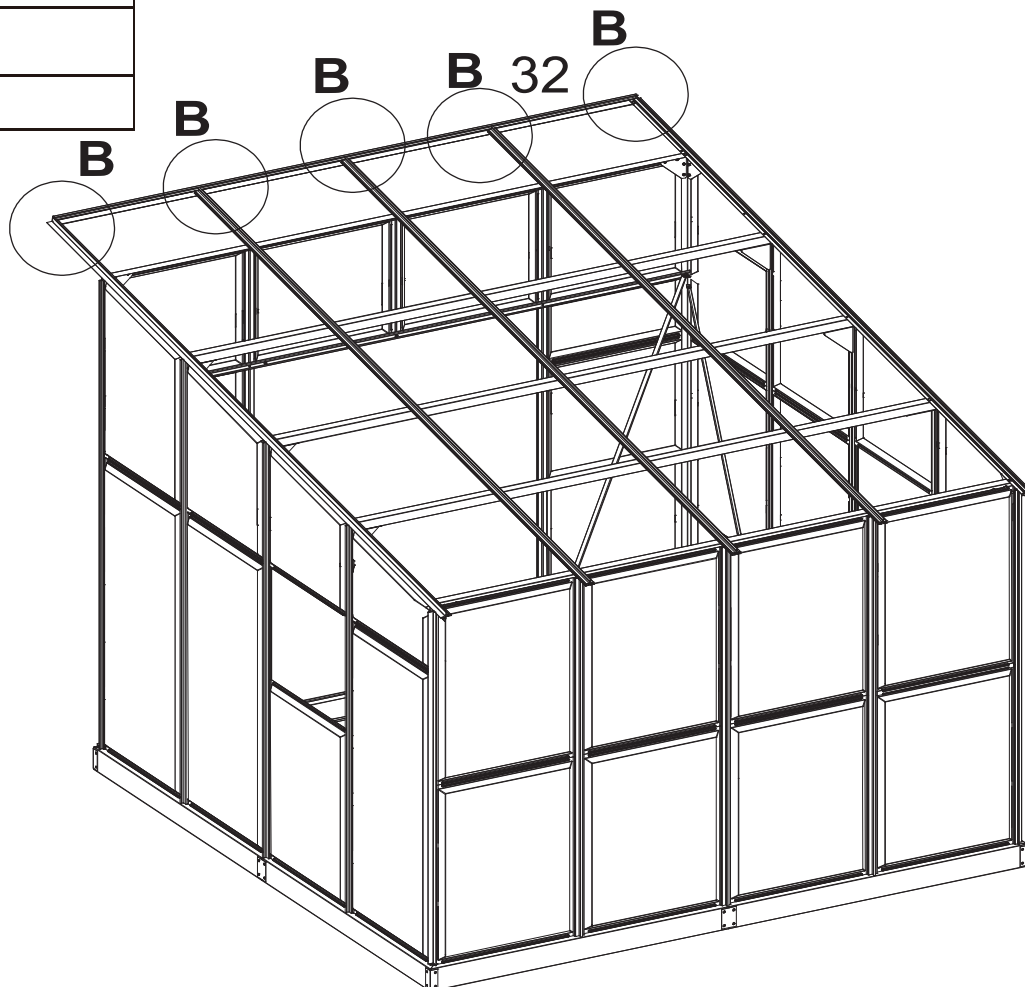
<p>A</p> <p>30/31/51 accessories</p> <p>18</p> <p>Insert 18 through 30/31/51 fitting pre-installed screw, do not lock</p>	<p>A</p> <p>40/48 screw</p> <p>inside of the greenhouse</p>
--	--

CELLO

ROOF ASSEMBLY



Art.Nr.	Qty.	Picture	Dimension(mm)
32	3PC		2406
40	4PC		
48	4PC		



B


32

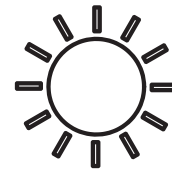
40/48 screw

Fitting no. 32 is fixed on fitting no. 2A/2b/18

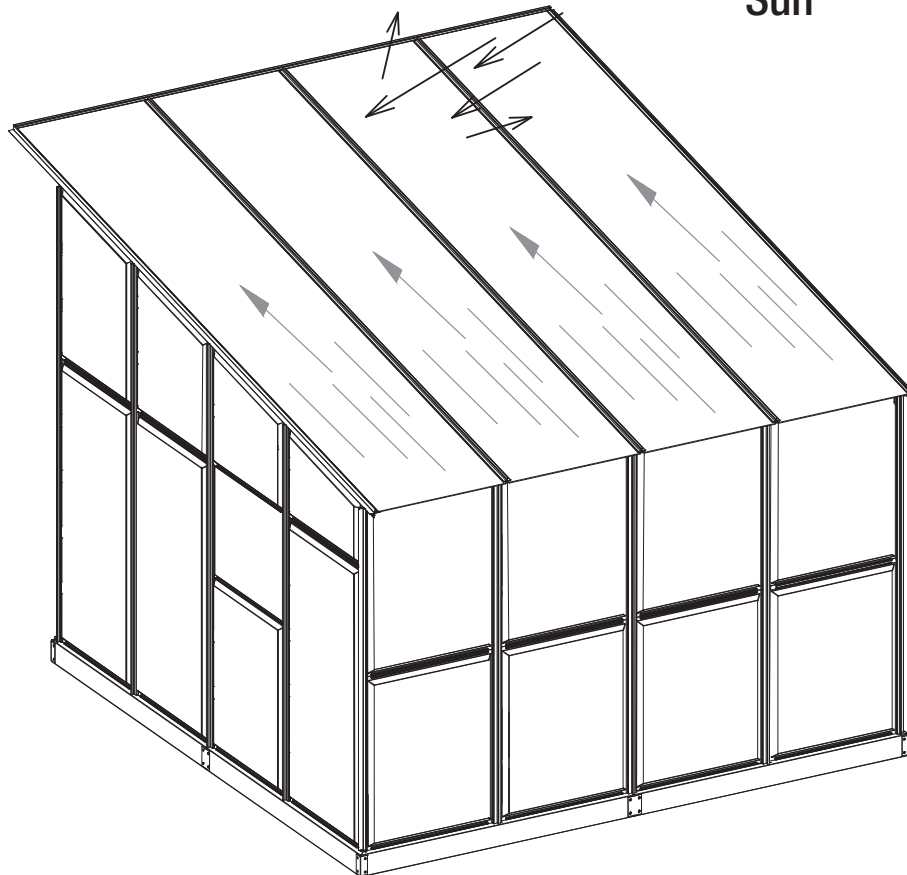
CELLO

ROOF PC PANELS

Art.Nr.	Qty.	Picture	Dimension(mm)
P14	4PC		2954x590



Sun



Insert the plate in the direction indicated by the arrow

Please, pay attention to remove the protective film from both sides of the roof panel



White protective film on the 4,0 mm roof panels indicates the UV protected side of the panel.



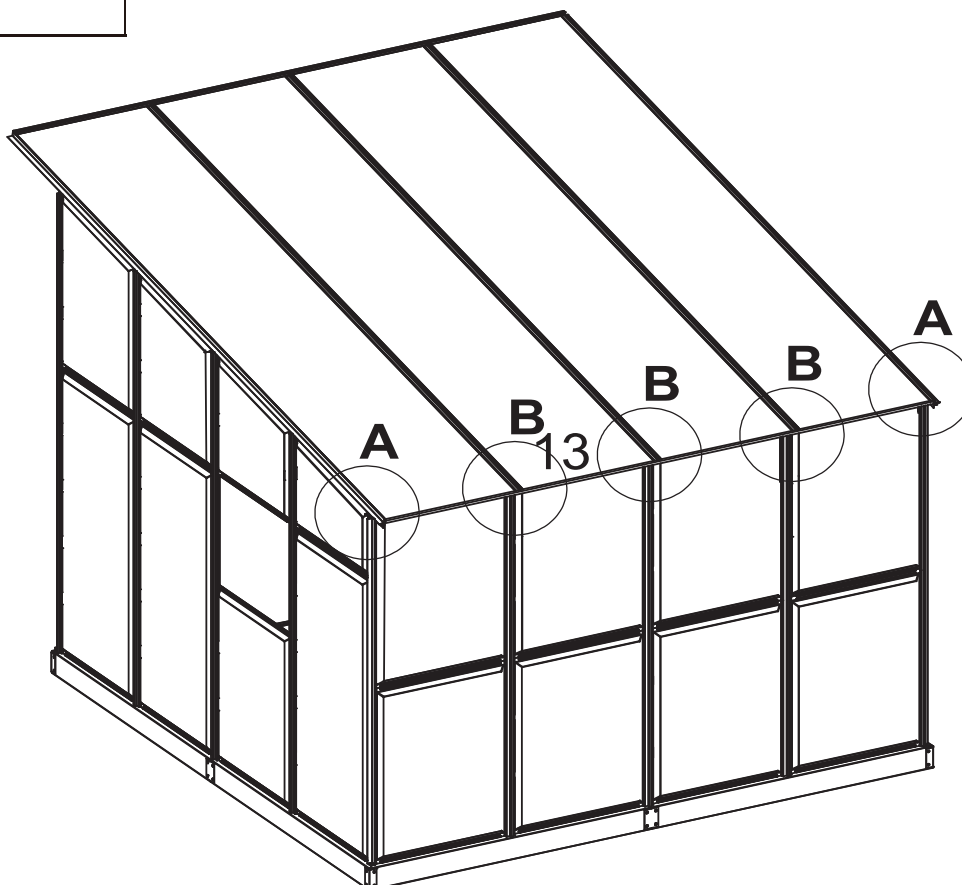
Transparent protective film on the 4,0 mm roof panels indicates the UV unprotected side of the panel.

CELLO

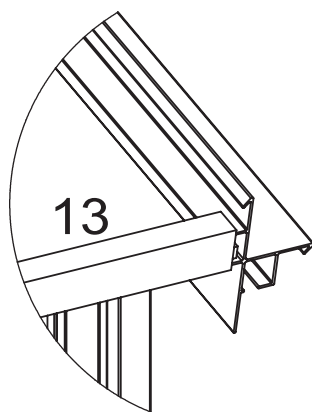
ROOF ASSEMBLY



Art.Nr.	Qty.	Picture	Dimension(mm)
13	1PC		2400
40	4PC		
48	4PC		

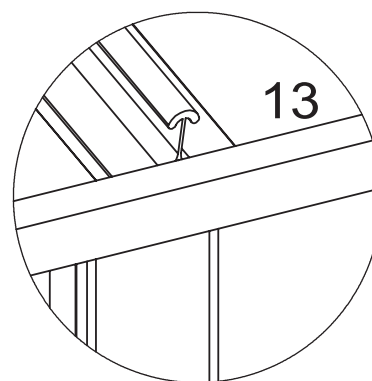


A



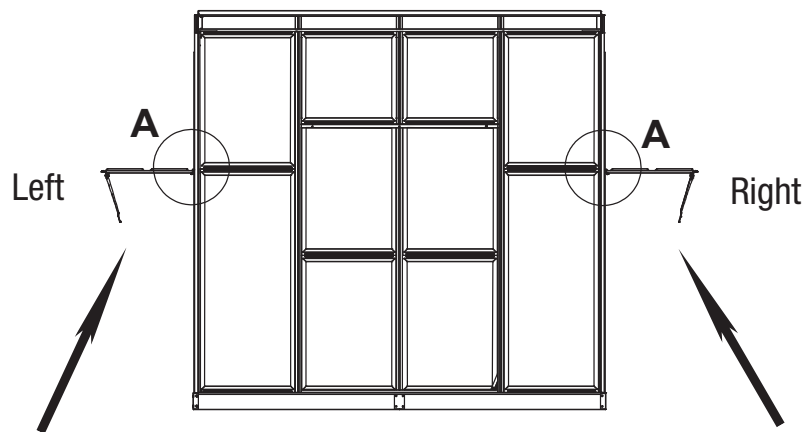
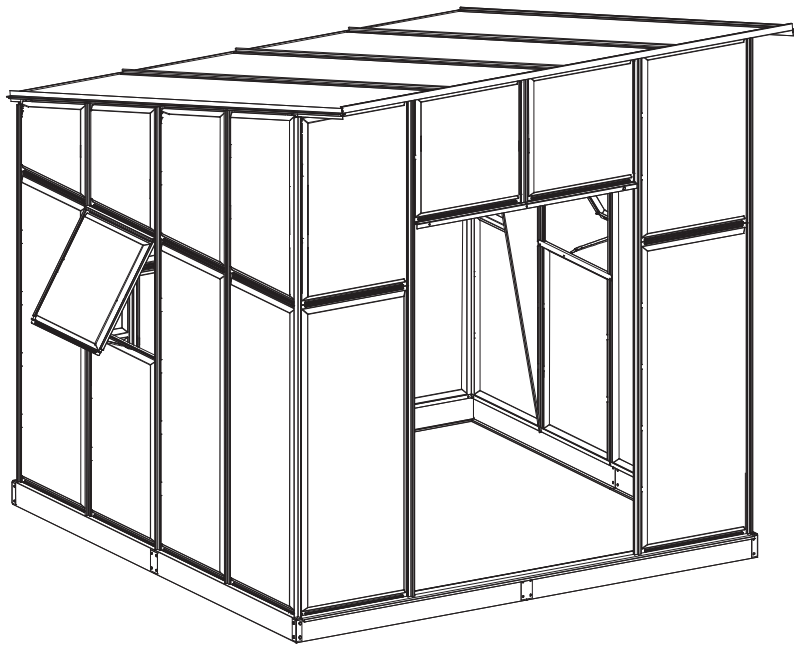
FIX No. 13 fitting with screws

B

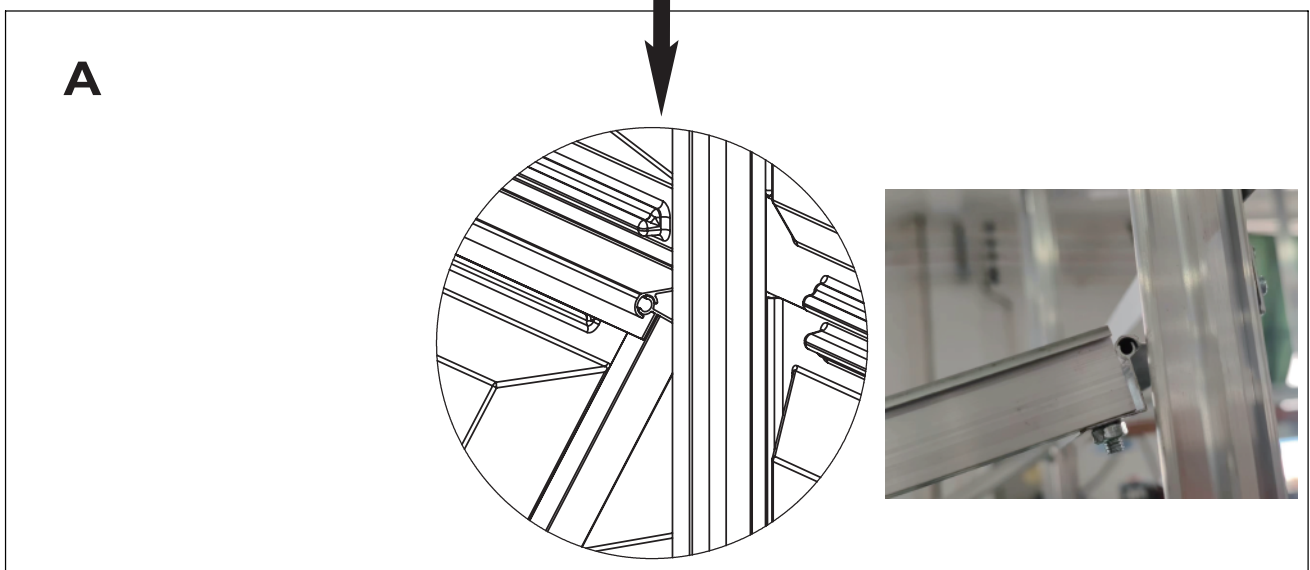


FIX No. 13 fitting with screws

CELLO

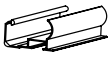


Load windows on the left and right sides

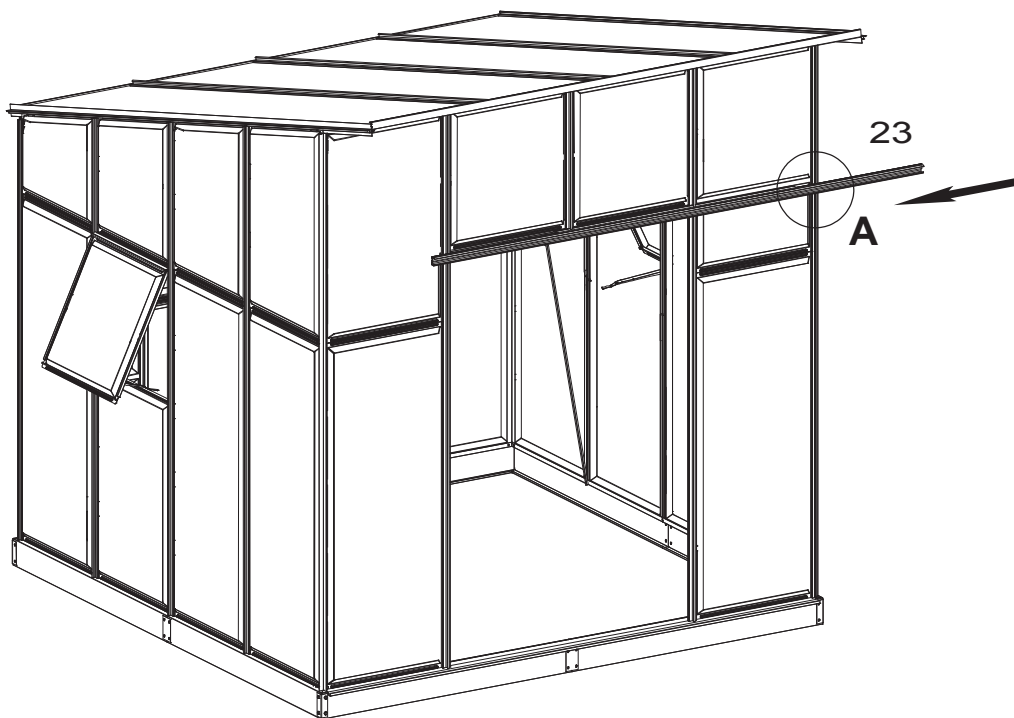


CELLO

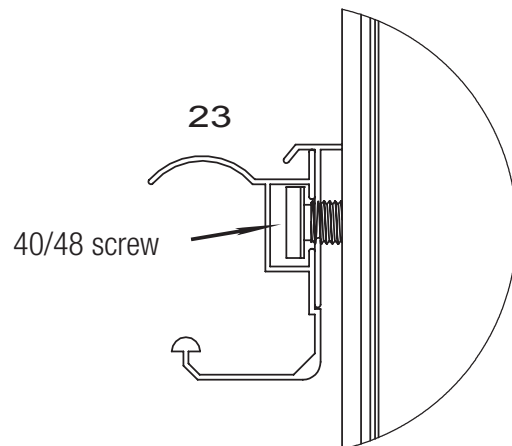
MOVABLE DOOR RAIL MOUNTING

Art.Nr.	Qty.	Picture	Dimension(mm)
23	1PC		2406

Load fitting 23 in the direction indicated by the arrow

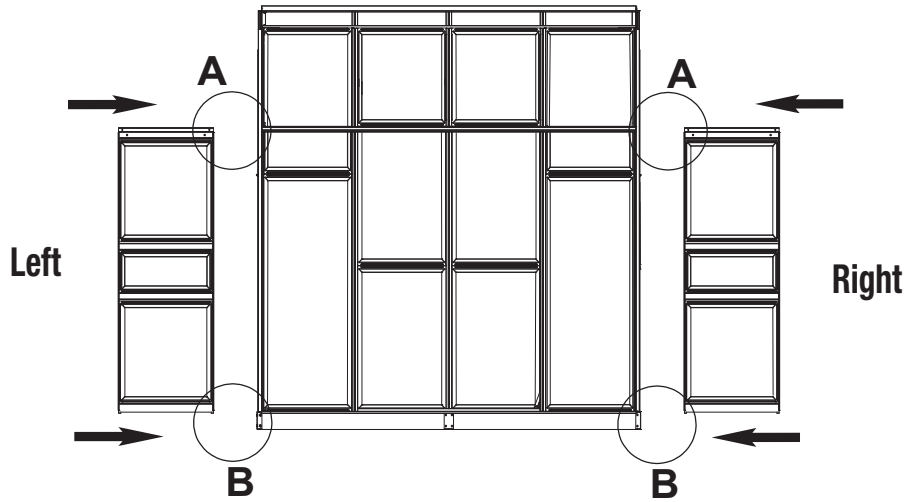
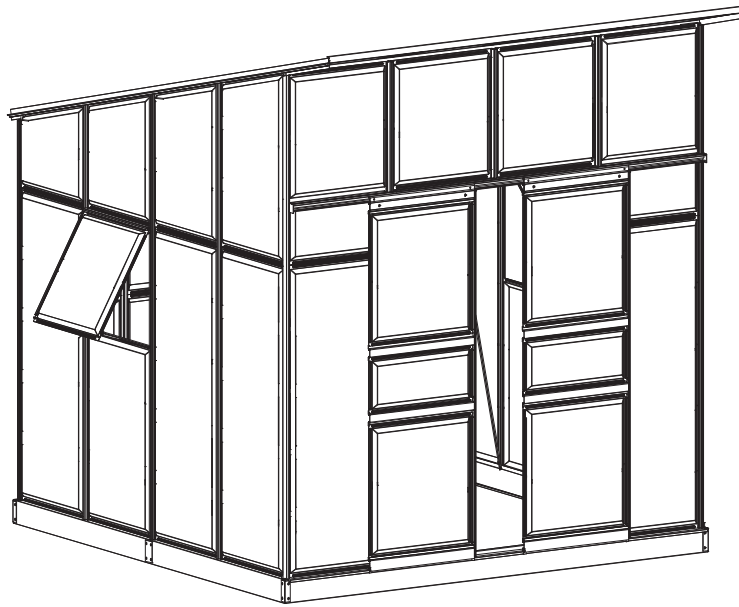


A



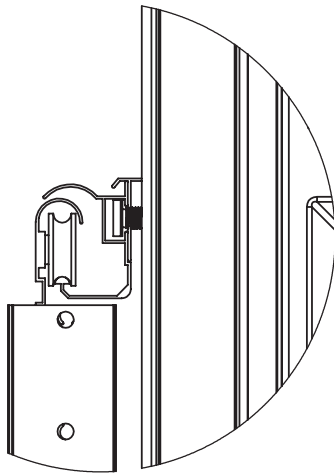
The cross-sectional view of A

CELLO

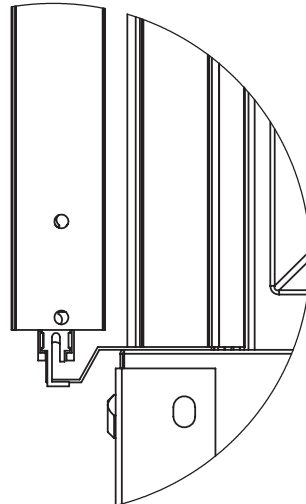


Load the moving door in the direction indicated by the arrow

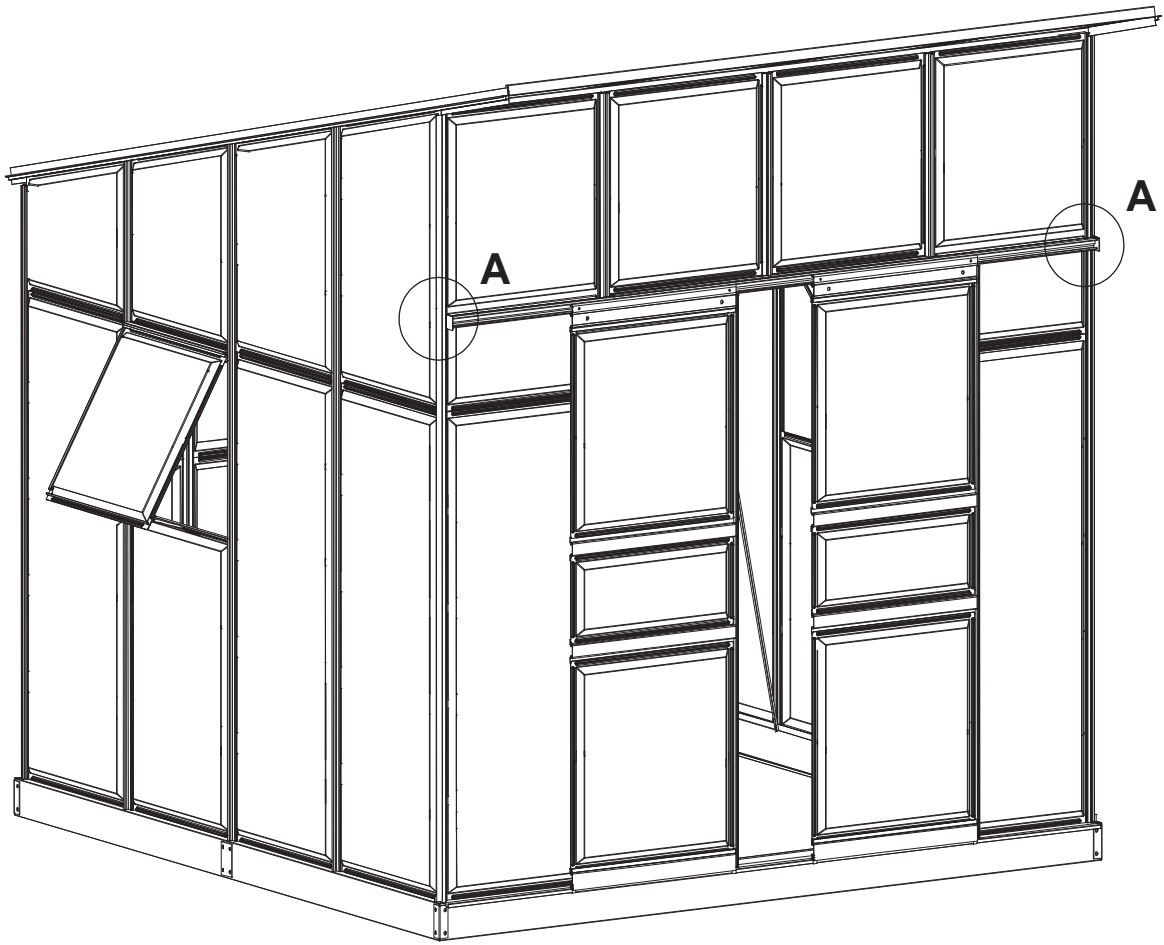
A



B

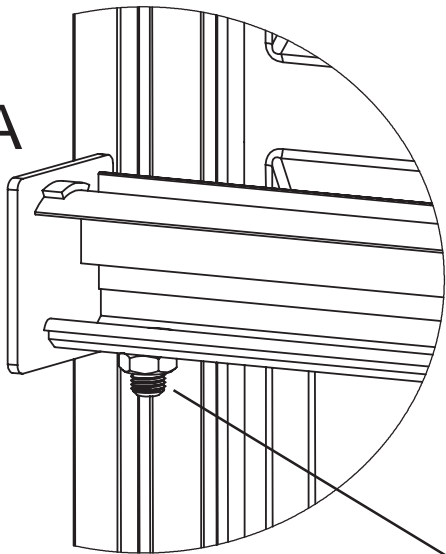


CELLO

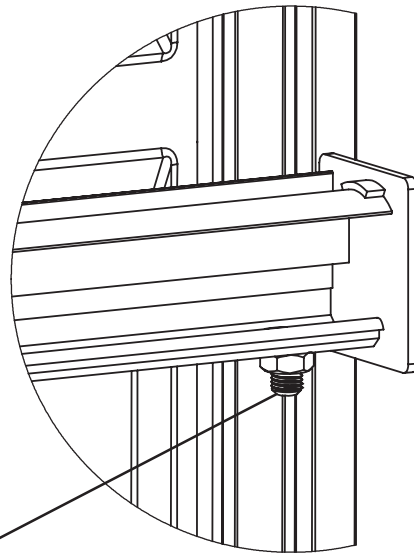


A

45A



45B



Each side needs one screw 40/48, its for preventing the sliding of the door.

CELLO

FI

Yleiset ohjeet

1. Lue nämä ohjeet huolellisesti ennen kasvihuoneen kokoamista.
2. Kokoaminen tapahtuu useassa vaiheessa, ja osa vaiheista edellyttää kahta henkilöä. Kokoamiseen menee 2–3 päivää.
3. Valitse kasvihuoneen sijainniksi aurinkoinen, tasainen paikka, jonka yllä ei roiku puiden oksia.
4. Aloita kasaaminen asettelemalla osat numerjärjestykseen asennuspaikan viereen.
5. Pidä pienet osat (ruuvit yms.) rasioissa ja pusseissa, jotta ne eivät häviä.
6. Tarvitset kokoamiseen työkaluja, vähintään sähköporakoneen/ruuvinvääntimen ja mittanauhan.
7. Kaikki osat on numeroitu, ja osien numerointi vastaa kokoamisohjeissa käytettyjä numeroita.
8. Kiristä ruuvit täysin vasta kun olet varma, että asennusvaihe on suoritettu oikein.
9. Läpinäkyviä kuperia PC-paneeleita käytetään seinien rakentamiseen ja himmeitä, onttoja 4 mm vahvuisia PC-paneeleita käytetään katon rakentamiseen.
10. Poista suojakalvo seinän ja katon PC-paneelien molemmilta puolilta ennen kuin ne asennetaan paikoilleen.
11. Seinäpaneeleissa kupera puoli on UV-suojattu ja se tulee asettaa aurinkoa kohti (vihreän suojakalvon puoli).
12. Kattopaneeleissa valkoinen suojakalvo osoittaa UV-suojatun puolen. Vinkki! Kun olet irrottanut suojakalvot, tee merkintä kynällä/teipillä UV-suojatulle puolelle, jottei UV-suojattu ja suojaamaton puoli sekaannu paneelia paikoilleen laittaessa



Vihreä suojakalvo osoittaa UV-suojatun puolen 0,7 mm seinäpaneeleissa.



Läpinäkyvä suojakalvo 0,7 mm seinäpaneeleissa osoittaa paneelin UV-suojaamattoman puolen.



Valkoinen suojakalvo 4,0 mm kattopaneeleissa osoittaa paneelin UV-suojatun puolen.



Läpinäkyvä suojakalvo 4,0 mm kattopaneeleissa osoittaa paneelin UV-suojaamattoman puolen.

13. Käsittele polykarbonaatista valmistettuja seinä- ja kattopaneeleja varoen, jotta ne eivät naarmuunnu asennuksen aikana.

Turvallisuusohjeet

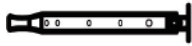





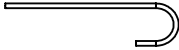
1. Suosittelemme käyttämään hanskoja ja suojalaseja asennuksen aikana.
2. Pidä lapset loitolla asennuspaikasta.
3. Älä kokoa kasvihuonetta tuulisella tai märällä säällä.
4. Jos käytät tikkaita tai sähkötyökaluja, noudata niiden valmistajien antamia turvallisuusohjeita.
5. Kun asennat osia yläpuolellesi, suojaa itsesi mahdollisesti tippuvilta kappaleilta.
6. Varmista, että kasvihuone on ankkuroitu alustaansa tarpeeksi hyvin. Jos ankkurointi on tehty heikosti, voimakas tuuli voi vaurioittaa kasvihuonetta.
7. Emme suosittele oleskelua kasvihuoneessa ukkosella, sillä sen alumiiniseoksesta valmistettu runko johtaa sähköä.

Huolto-ohjeet

1. Mikäli asennusalusta ei ole tasainen, kasvihuoneen runko voi vaurioitua. Varmista, että kasvihuoneen runko pysyy aina suorassa.
2. Älä ylikuormita runkoa. Mikäli kasvihuoneen päälle kertyy lunta, poista se hyvissä ajoin tai käytä jämääkkää puulautaa tukemaan rakennetta keskeltä sisäpuolelta, jotta kasvihuone ei romahda tykkylumen painosta. Lumivahinkojen ehkäisemiseksi voit myös poistaa kattolevyt kokonaan talven ajaksi.
3. Älä anna viinimäisten ja kiipeävien kasvien tai kukkien kasvaa kasvihuoneen päälle sen ulkopintaa myöten, sillä muutoin sen rakenne voi rikkoutua tuulisella ja sateisella säällä. Jos jokin liitosten kappaleista ruostuu merkittävästi, vaihda siihen hyvissä ajoin uudet ruuvit ja liittimet.
4. Pidä polykarbonaattipaneelit loitolla tulesta, jotta ne eivät pehmenne ja vääristy.
5. Pidä polykarbonaattilevyt puhtaina; polykarbonaatti pysyy uudenveroisena yleisesti 3 vuotta, jonka jälkeen sen valonläpäisyominaisuudet voivat muuttua.
6. Varmista myrskyisällä säällä, että kasvihuone on kiinnitetty vakaasti alustaansa ja että ilma-aukko ja ovi pysyvät suljettuina. Voit myös tarpeen tullen kiinnittää kasvihuoneen lähellä oleviin puihin vahvalla köydellä tai metallilangalla.
7. Tarkista rungon ruuvien tiukkaus vähintään kerran vuodessa.












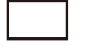



Osanro.	Kuva	Lkm.	Mitat (mm)	Osanro.	Kuva	Lkm.	Mitat (mm)	
1A		1	2217	23		1	2406	
1B		1	2217	24		2	610	
2A		1	2954	25		28		
2B		1	2954	26		4		
3		2	1670	27		1	2408	
4		2	2230	28		2	1600	
5A		1	1957	28A		1	1600	
5B		1	1957	28B		1	1600	
6A			1	1829	29		6	1232
6B	1		1829	30		3	2406	
7	3		1695	31		1	2406	
8	1		568	32		1	2406	
9A	1		2098	33		1	2406	
9B	1		2098	34		2	1232	
10			2	1765	35		2	
11			6	1720	36		2	
12			2	2400	37		4	
13		1	2400	38		6		
14		1	1176	39		12	568	
15		4	520	40		174		
16		2	635	41		4		
17		2	638	42		4		
18		3	2935	43		2		
19		2	590	44		12		
20		4	610	45A		1		
21		2	610	45B		1		
22		2	608					

CELLO

Osanro.	Kuva	Lkm.	Mitat (mm)		Osanro.	Kuva	Lkm.	Mitat (mm)
46		2						
47		2	590					
48		174						
49		4						
50		4						
51		1						
52		12						

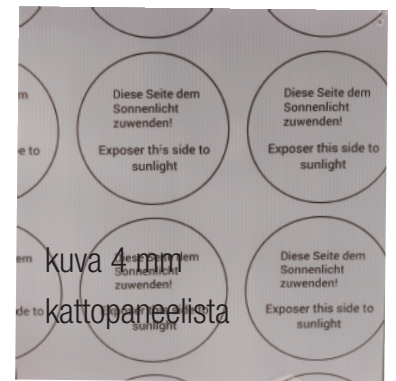
CELLO

PC-PANEELIT

Osanro.	Lkm.	Kuva	Mitat (mm)	
P1	12KPL		845x590	kirkkaat 0,7 mm seinäpaneelit
P2	8KPL		1367x590	kirkkaat 0,7 mm seinäpaneelit
P3	2KPL		595x590	kirkkaat 0,7 mm seinäpaneelit
P4	1KPL		450x590	kirkkaat 0,7 mm seinäpaneelit
P5	1KPL		590x590	kirkkaat 0,7 mm seinäpaneelit
P6	1KPL		720x585	kirkkaat 0,7 mm seinäpaneelit
P7	1KPL		590x853	kirkkaat 0,7 mm seinäpaneelit
P8	1KPL		450x590	kirkkaat 0,7 mm seinäpaneelit
P9	1KPL		585x590	kirkkaat 0,7 mm seinäpaneelit
P10	1KPL		720x590	kirkkaat 0,7 mm seinäpaneelit
P11	1KPL		590x855	kirkkaat 0,7 mm seinäpaneelit
P12	4KPL		597x597	kirkkaat 0,7 mm seinäpaneelit
P13	2KPL		605x240	kirkkaat 0,7 mm seinäpaneelit
P14	4KPL		2954x590	himmeät 4 mm kattopaneelit
P15	2KPL		590x540	kirkkaat 0,7 mm seinäpaneelit

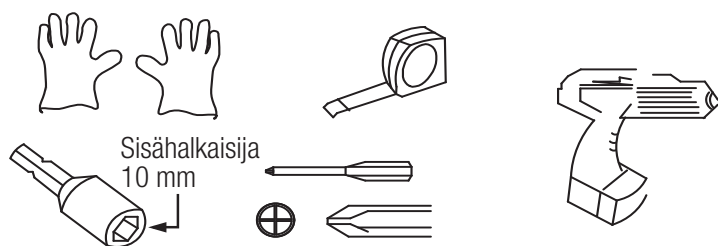


kuva 0,7 mm
seinäpaneelistä



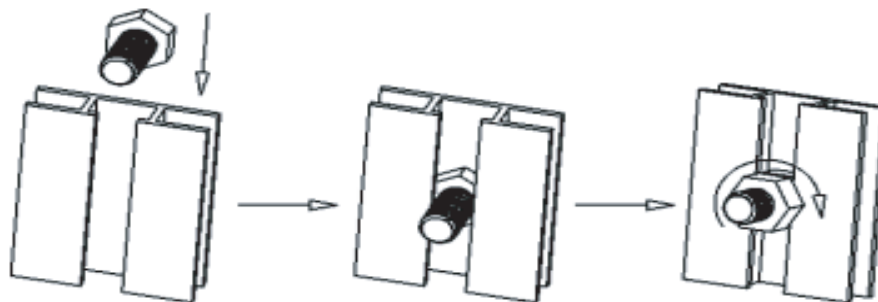
kuva 4 mm
kattopaneelistä

Suosittellemme seuraavia työkaluja asennusvaiheeseen




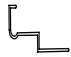






(pakkaus sisältää yhden kiintoavaimen mutterien kiristämiseen)

Näin liu'utat ruuvit alumiinikiskojen uriin

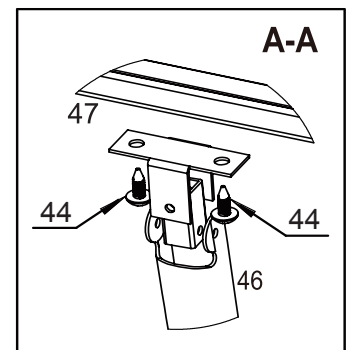
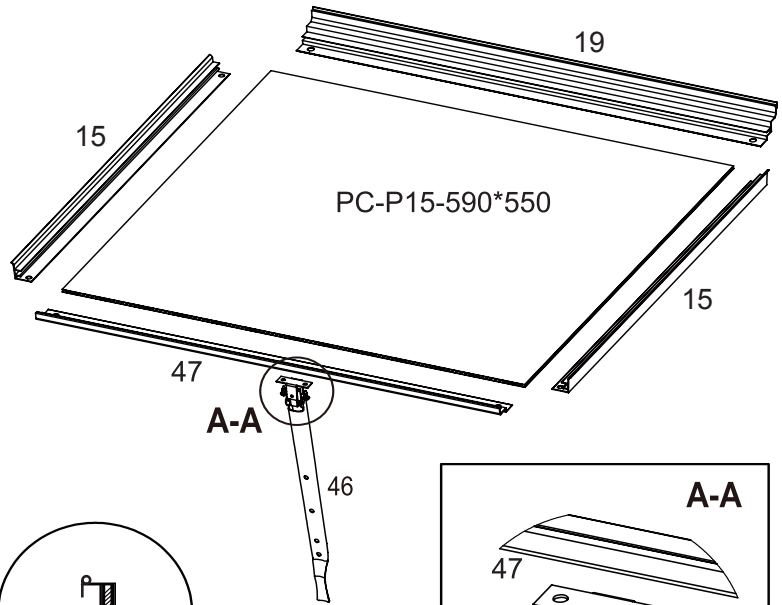


CELLO

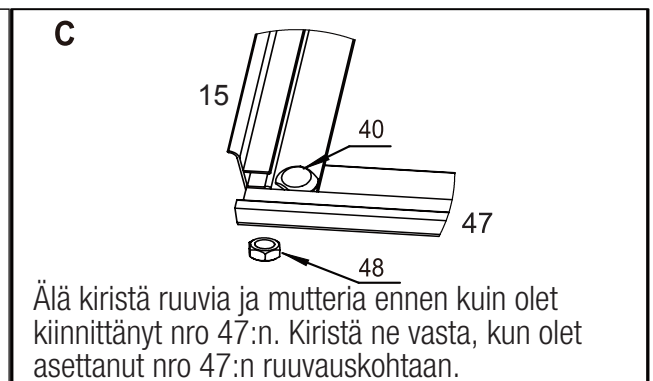
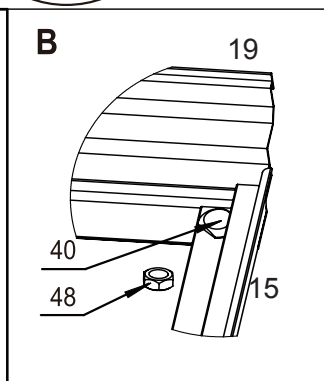
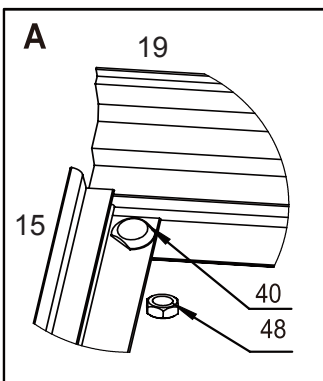
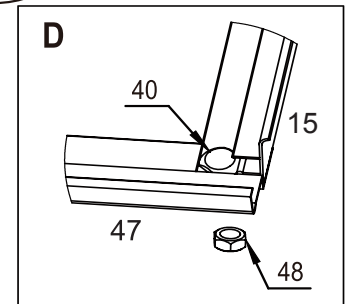
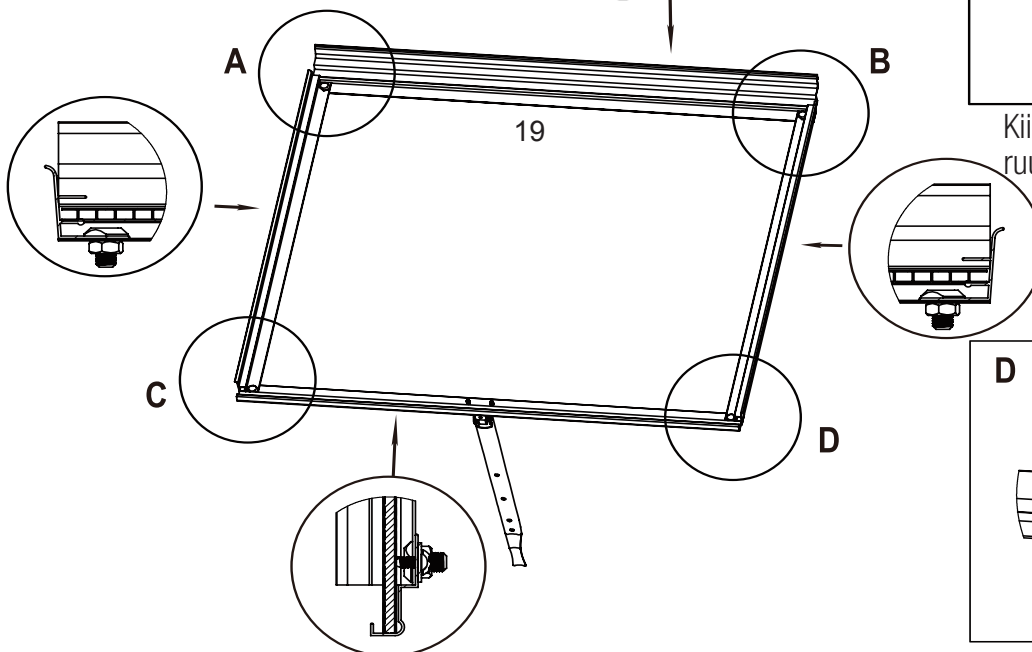
TUULETUSLUUKUN KOKOAMINEN (tuuletusluukkuja 2 kpl)

Osanro.	Lkm.	Kuva	Mitat (mm)
15			520
47	2KPL		590
19	2KPL		595
40	8KPL		
44	4KPL		
46	2KPL		
48	8KPL		
P15	2KPL		590x540

Asettele osat alla olevan räjäytyskuvan mukaisesti.
Työnnä ruuvit nro 40 sisään ylhäältä alaspäin.
Kokoa nro 15 ja nro 19 ensin, asenna sitten paneeli
nro P15, ja kiinnitä sitten nro 47



Kiinnitä kannatin sille varattuun ruuvireikään



Älä kiristä ruuvia ja mutteria ennen kuin olet kiinnittänyt nro 47:n. Kiristä ne vasta, kun olet asettanut nro 47:n ruuvauskohtaan.

Vihreällä suojakalvolla varustettu UV-suojattu puoli muovilevystä tulee suunnata ulospäin aurinkoa kohti.
Läpinäkyvällä suojakalvolla varustettu, UV-suojamaton puoli tulee suunnata kasvihuoneen sisäpuolta kohti.

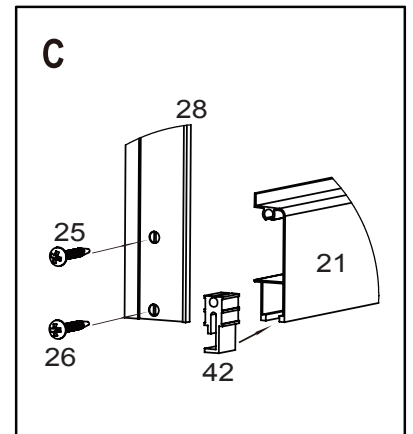
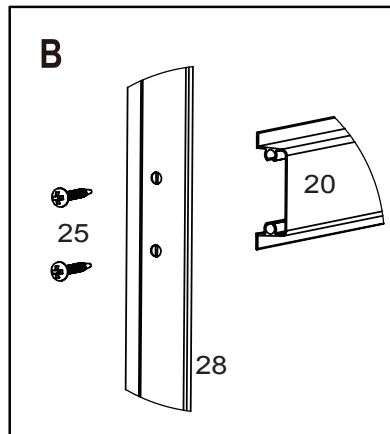
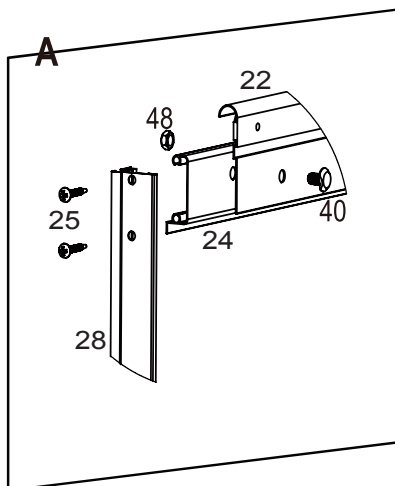
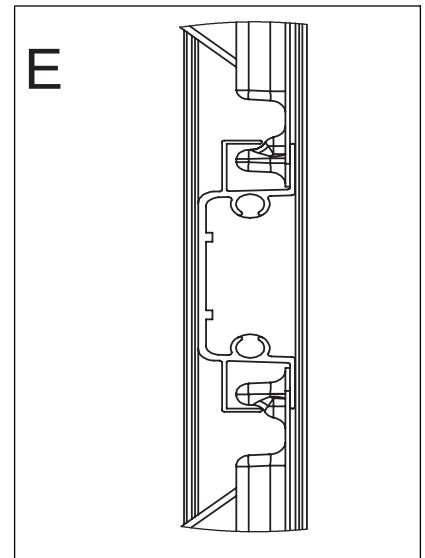
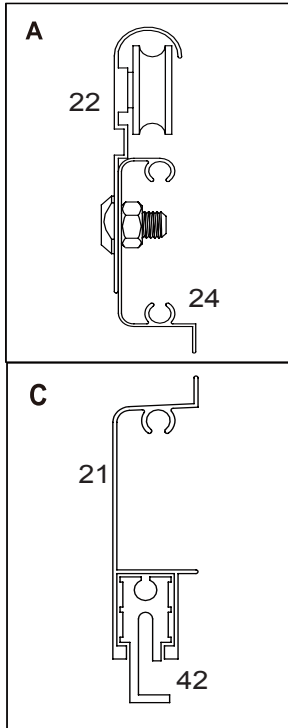
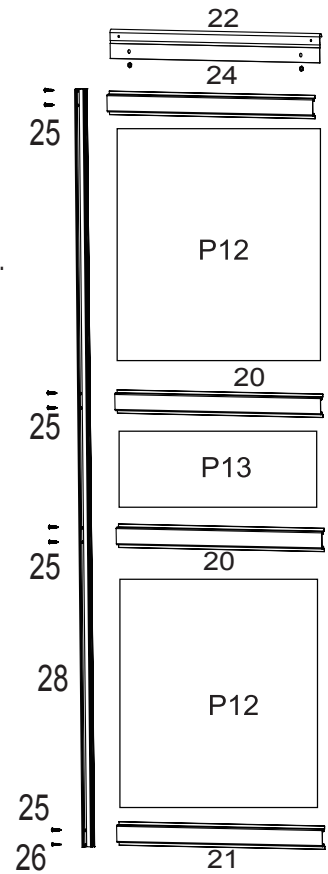
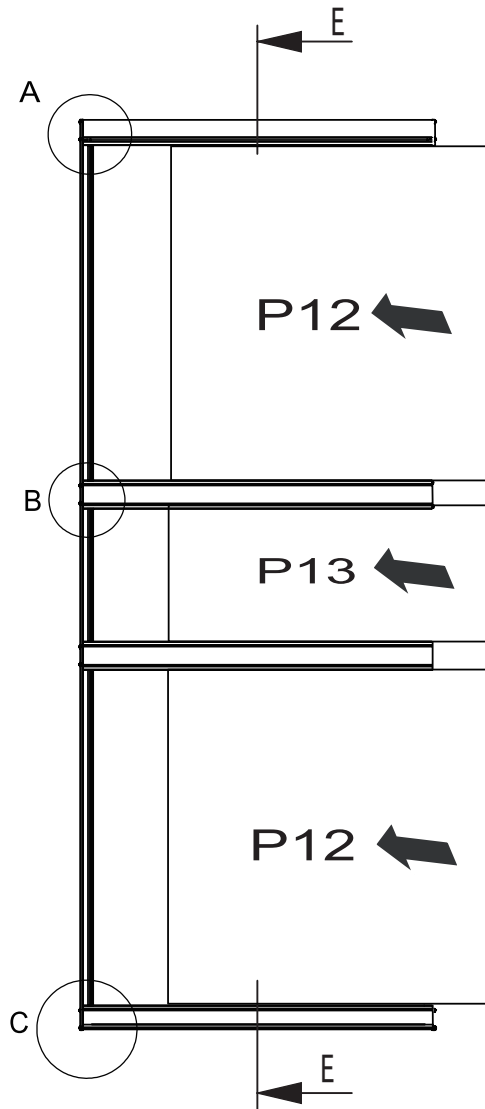
CELLO

KOKOA LIUKUOVEN KEHYS

Osanro	Lkm.	Kuva	Mitat (mm)
20	1KPL		610
21	1KPL		610
22	1KPL		608
24	1KPL		610
28	1KPL		1600
25	7KPL		
26	1KPL		
40	2KPL		
42	2KPL		
48	2KPL		
PC-paneelit			
P12	2PC		597x597
P13	1PC		605x240

Vasemmanpuoleinen ovi

Asenna lisäosat ensin ABC-järjestyksessä, ja aseta sitten P12/13-paneeli paikoilleen.






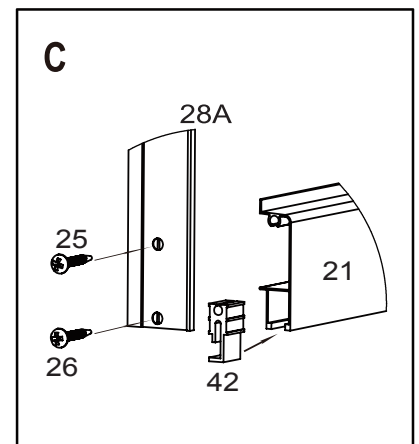
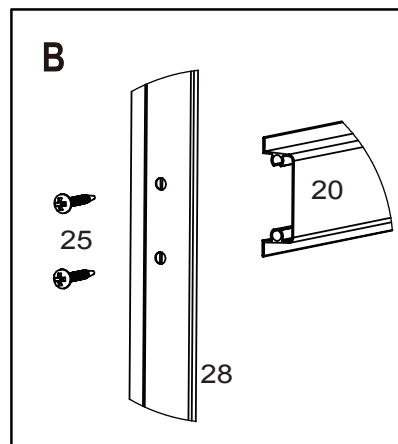
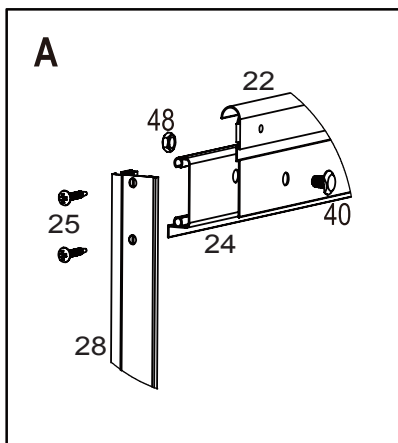
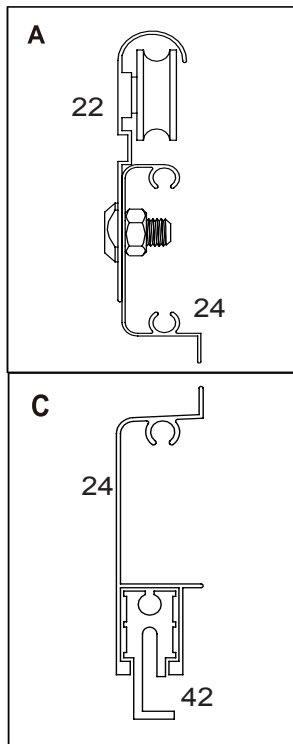
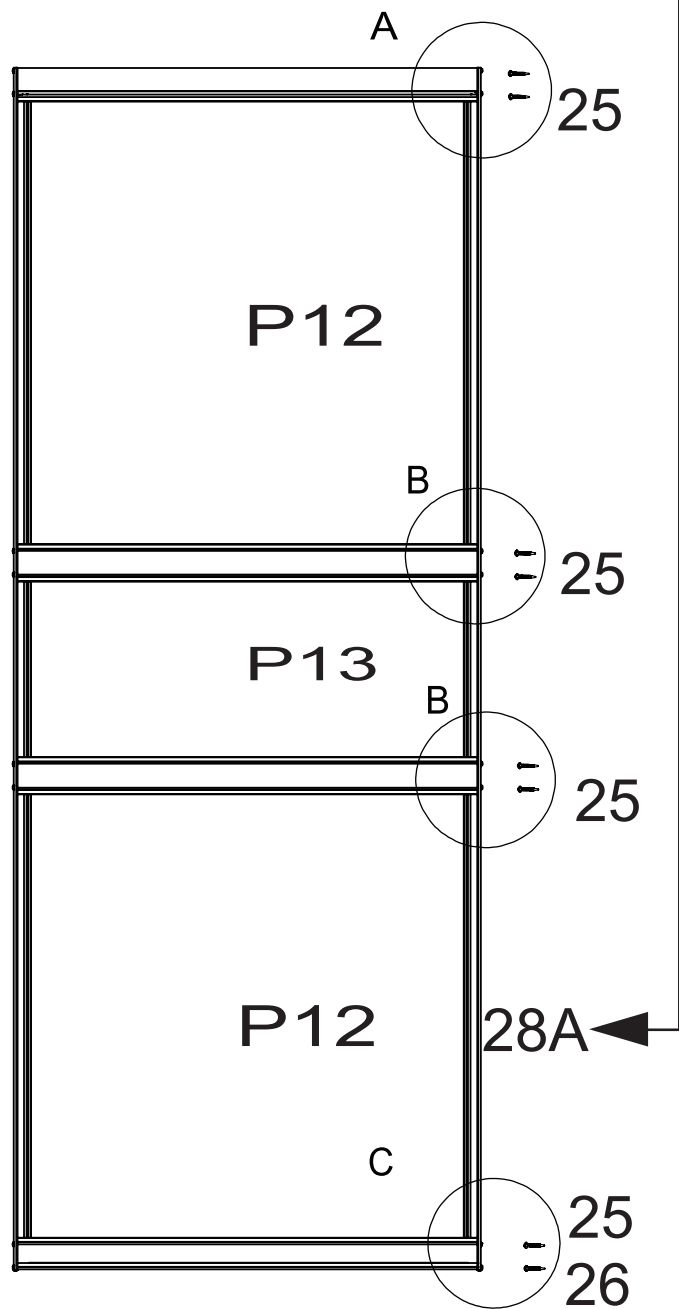
CELLO

Vasemmanpuoleinen ovi

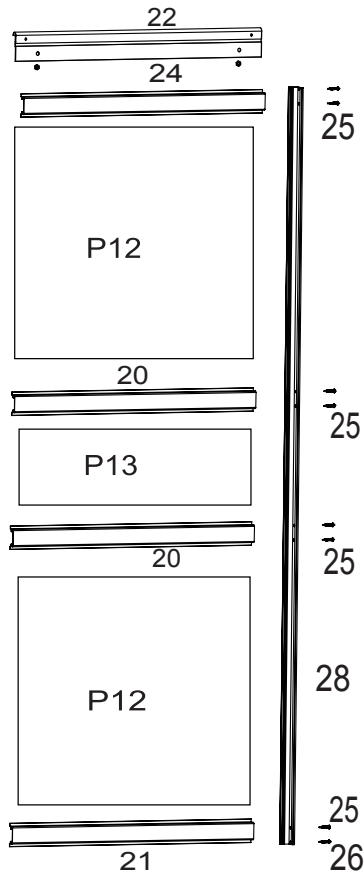
LIUKUOVEN KOKOAMINEN

Osan nro 28A asentaminen

Osanro.	Lkm.	Kuva	Mitat (mm)
25	7KPL		
26			
28A	1KPL		1600

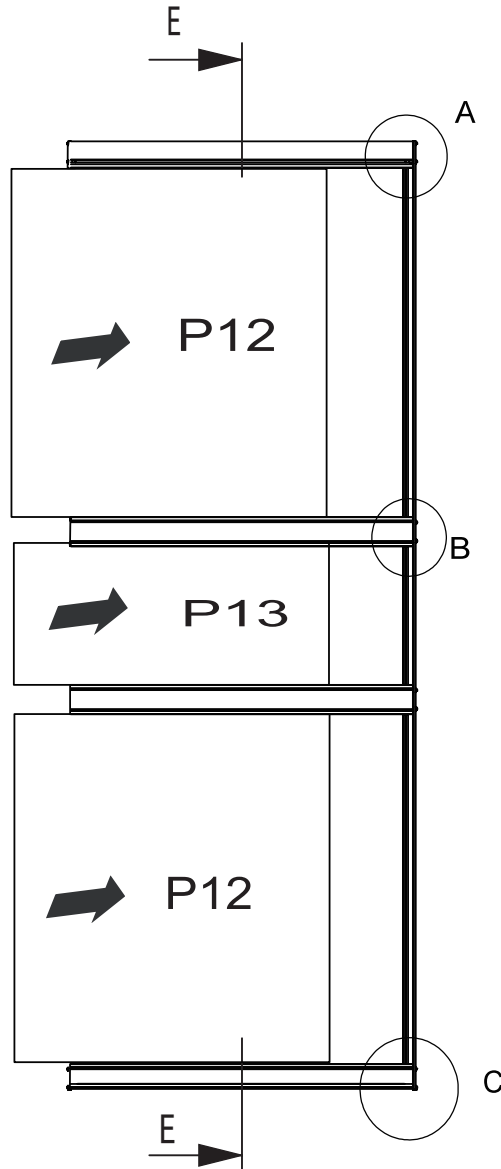


CELLO



Oikeanpuoleinen ovi

Asenna lisäosat ensin ABC-järjestyksessä, ja aseta sitten P12/13-PC-paneeli paikoilleen.

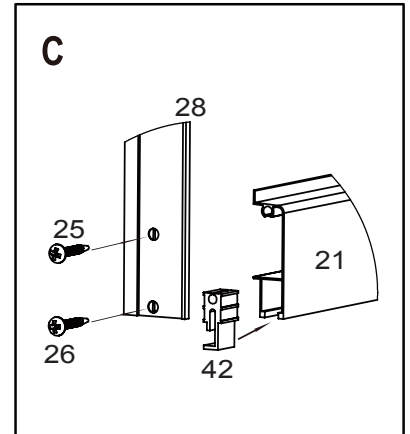
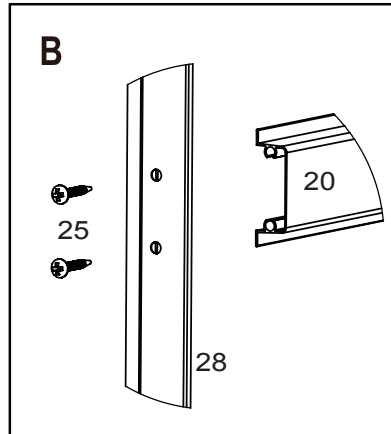
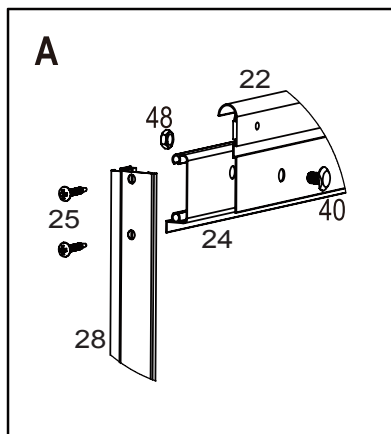
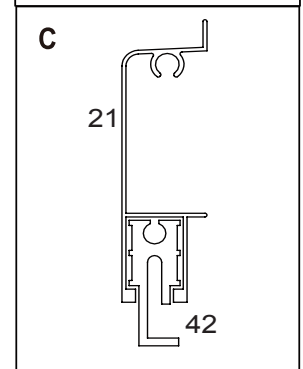
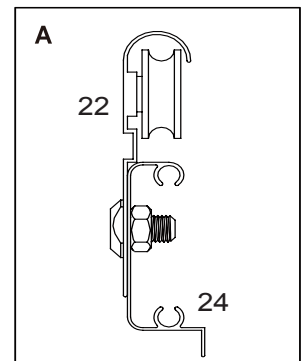
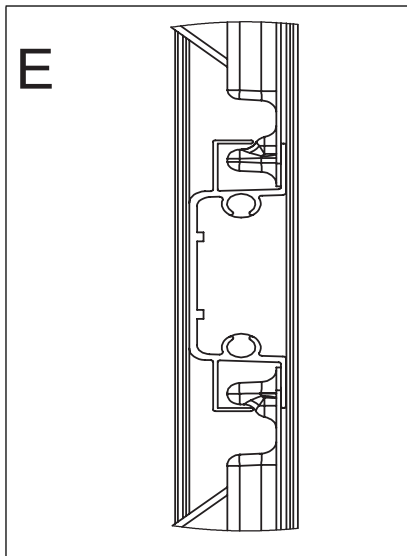


LIUKUOVEN KOKOAMINEN

Osanro.	Lkm.	Kuva	Mitat (mm)
20	1KPL		610
21	1KPL		610
22	1KPL		608
24	1KPL		610
28	1KPL		1600
25	1KPL		
26	7KPL		
40	2KPL		
42	2KPL		
48	2KPL		

PC-paneelit

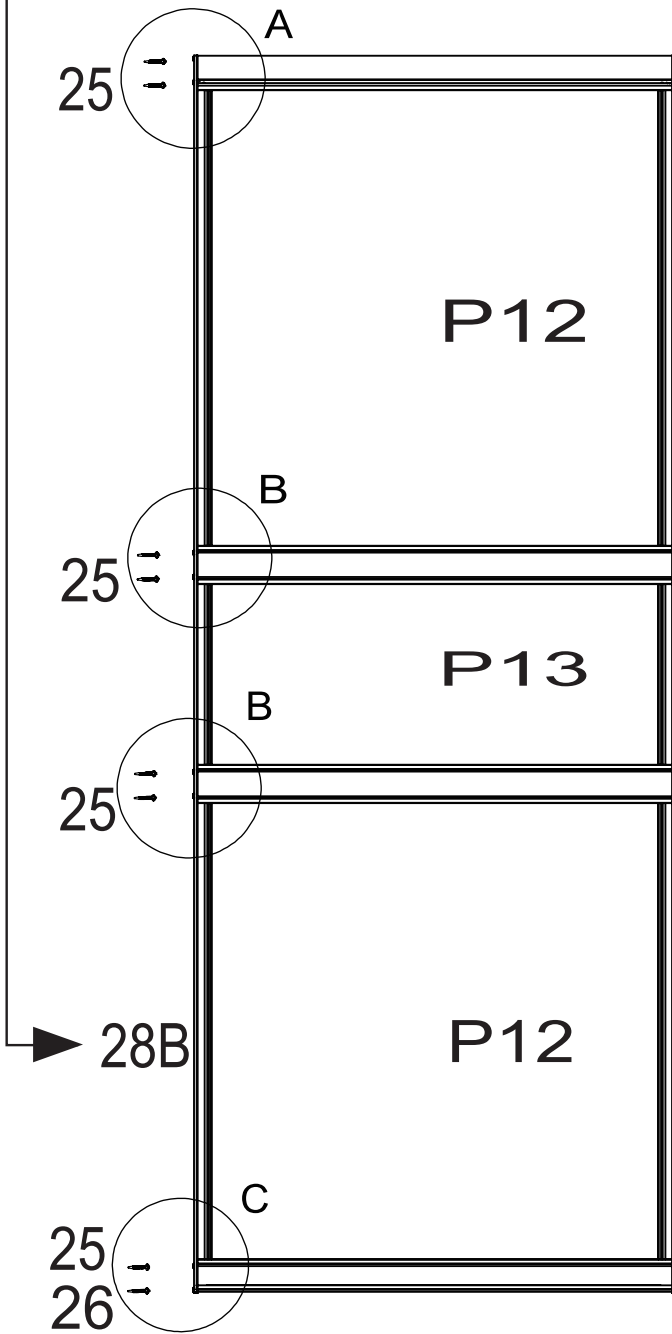
P12	2KPL		597x597
P13	1KPL		605x240



CELLO

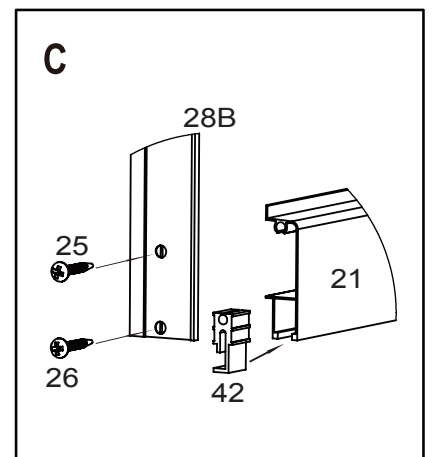
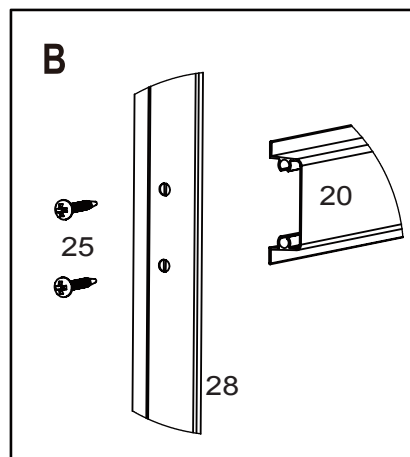
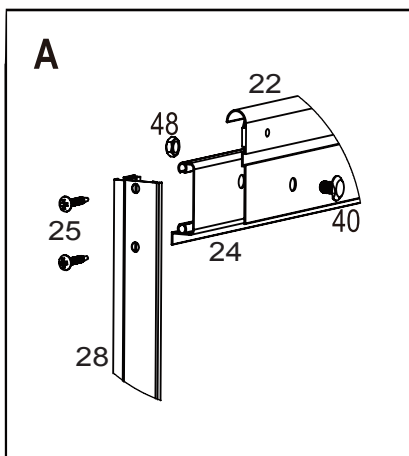
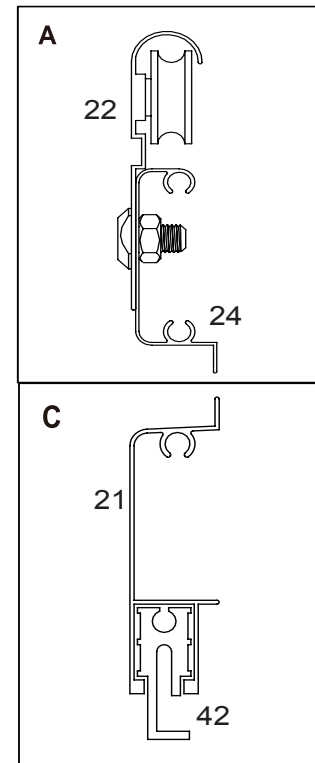
Oikeanpuoleinen ovi

Osan nro 28B asentaminen










LIUKUOVEN KOKOAMINEN

Osanro.	Lkm.	Kuva	Mitat (mm)
25	7KPL		
26	1KPL		
28B	1KPL		1600



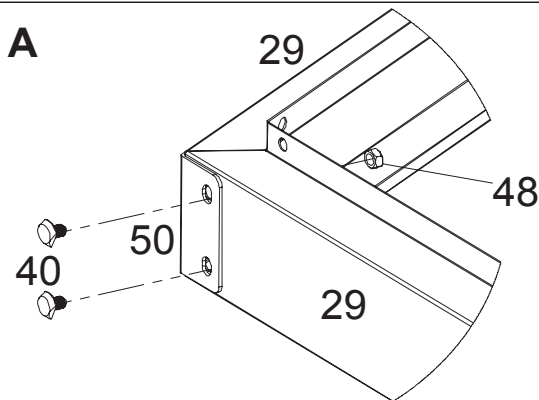
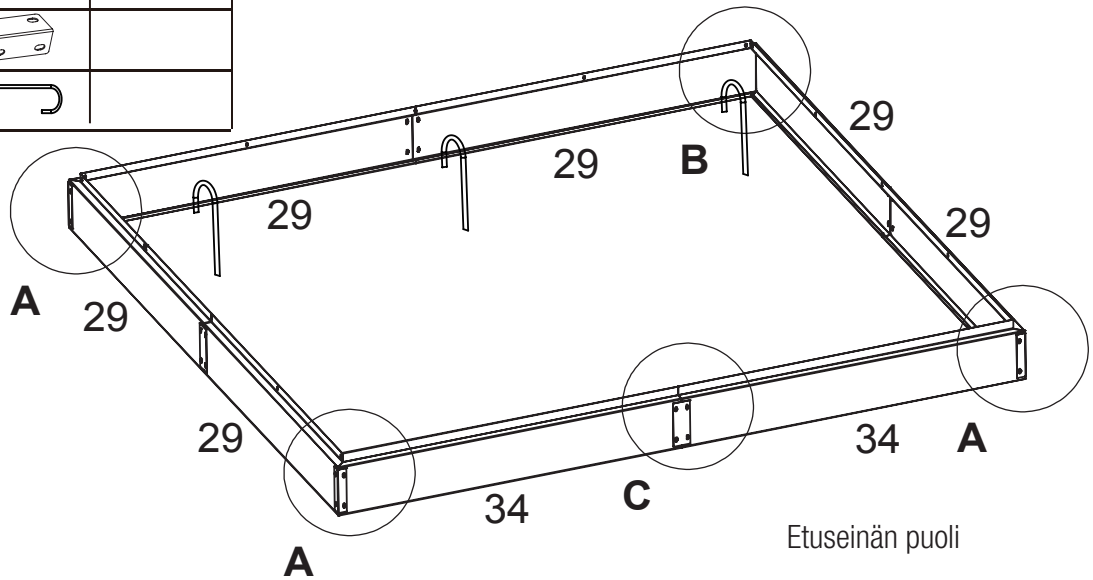
CELLO

SOKKELIN KOKOAMINEN

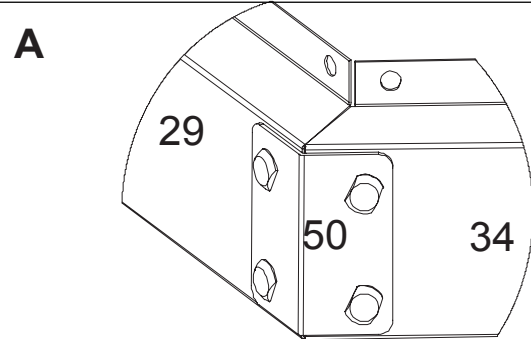
Osanro.	Lkm.	Kuva	Mitat (mm)
29	6KPL		1232
34	2KPL		1232
40	32KPL		
48	32KPL		
49	4KPL		
50	4KPL		
52	12KPL		

Sokkelin kokoaminen

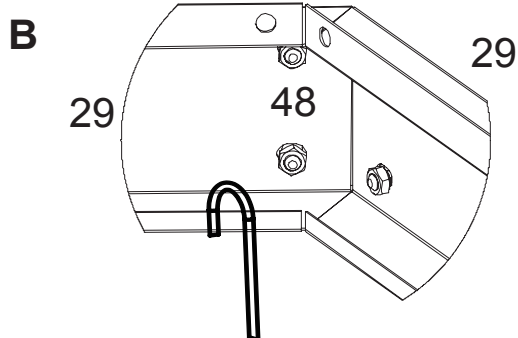
Osat 29/34 liitetään toisiinsa kiinnikkeillä 49/50, minkä jälkeen ne kiinnitetään paikalleen ulkopuolelta ruuvilla nro 40 ja kiristetään paikoilleen mutterilla nro 48.



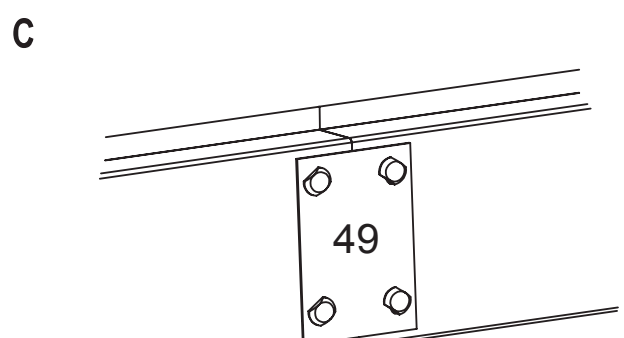
Kuva ulkoa päin. Katso asennussuunta 40 ja 48



Kuva ulkoa päin; huomioi osan nro 34 asennussuunta






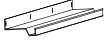


Kuva sisältä päin; maa-ankkurit pitävät sokkelin kiinni maassa



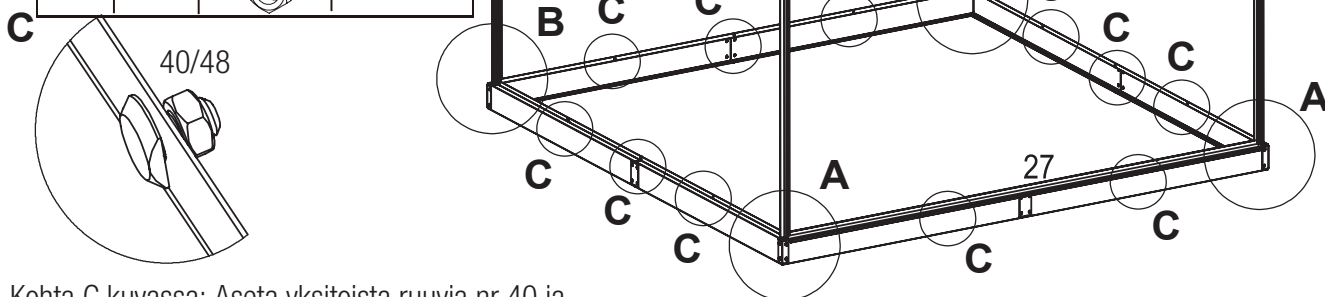
Kuva ulkoa päin; huomioi osan nro 49 asennussuunta

CELLO

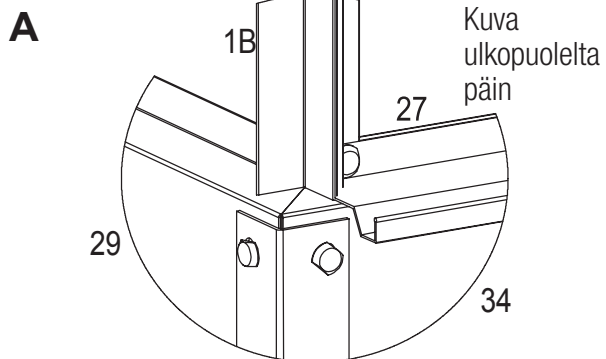
SEINÄRUNKOJEN KOKOAMINEN

Osanro.	Lkm.	Kuva	Mitat (mm)
3	2KPL		1670
1A	1KPL		2217
1B	1KPL		2217
27	1KPL		2408
40	19KPL		
48	19KPL		

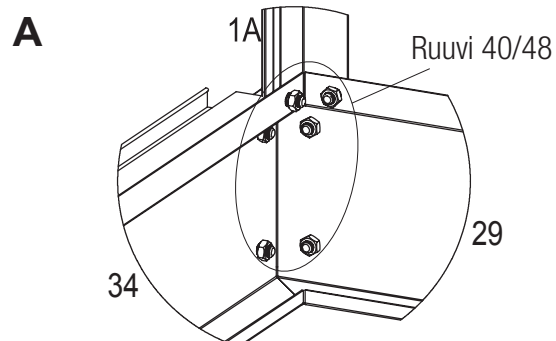
Tämä kokoamisvaihe vaatii kaksi henkilöä!



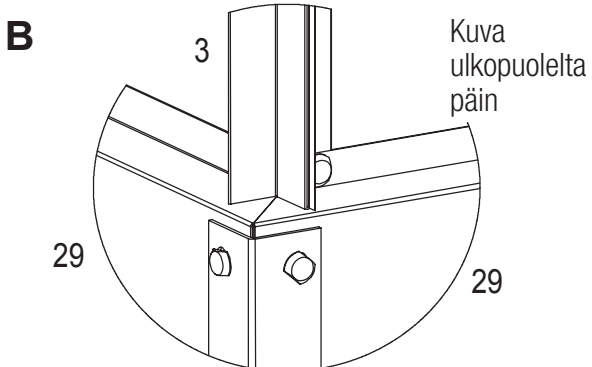
Kohta C kuvassa: Aseta yksitoista ruuvia nr 40 ja mutteria nr 48 kuvan osoittamiin kohtiin sokkelissa



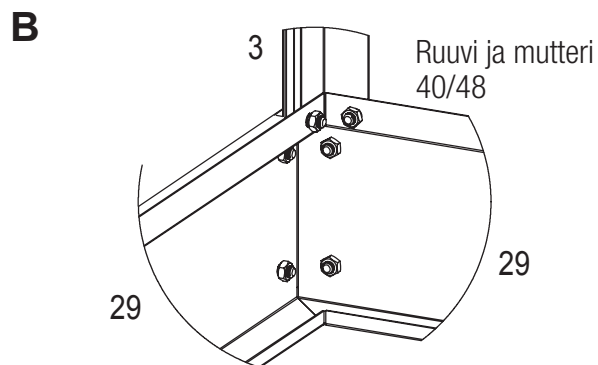
Osa 1A/1B/27 ruuvataan sokkeliin



Kuva sisäpuolelta päin





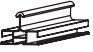


Osa nro 3 kiinnitetään sokkeliin



Kuva sisäpuolelta päin

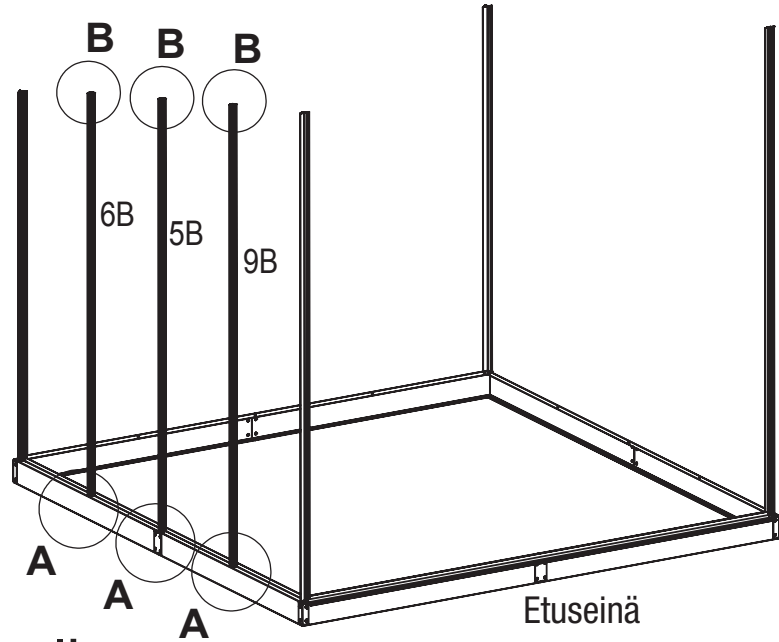
CELLO

SEINÄRUNKOJEN KOKOAMINEN

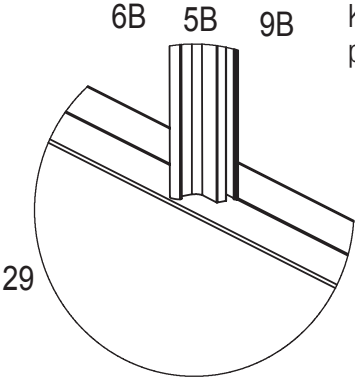
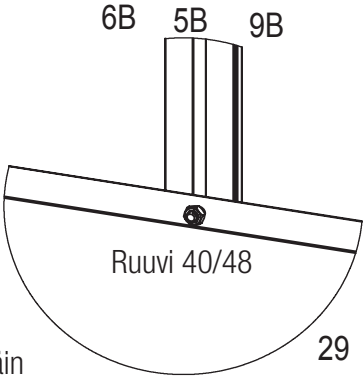
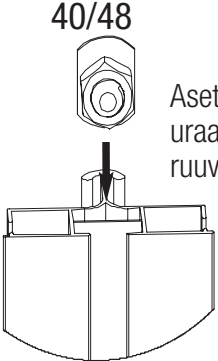
Osanro.	Lkm.	Kuva	Mitat (mm)
5B	1KPL		1957
6B	1KPL		1829
9B	1KPL		2098
40	6KPL		
48	6KPL		



Tämä kokoamisvaihe vaatii kaksi henkilöä!

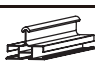
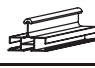

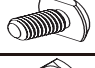



Vasen puoli

<p>A</p> <p>6B 5B 9B</p> <p>Kuva ulkoa päin</p>  <p>29</p> <p>5B/6B/9B kiinnitetään sokkeliin</p>	<p>A</p> <p>6B 5B 9B</p> <p>Kuva sisältä päin</p>  <p>Ruuvi 40/48</p> <p>29</p>
<p>B</p> <p>40/48</p> <p>Aseta osien 5B/6B uraan 2 ylimääräistä ruuvia!</p>  <p>Osien 5B/6B uraan lisätään 2 ylimääräistä ruuvia myöhempää kokoamisvaihetta varten</p>	

CELLO

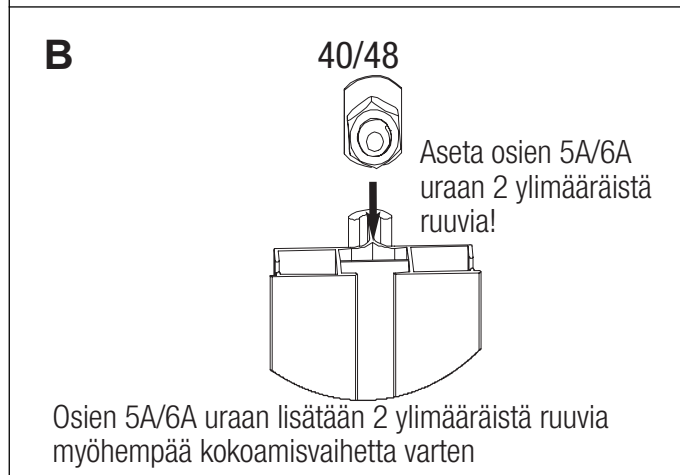
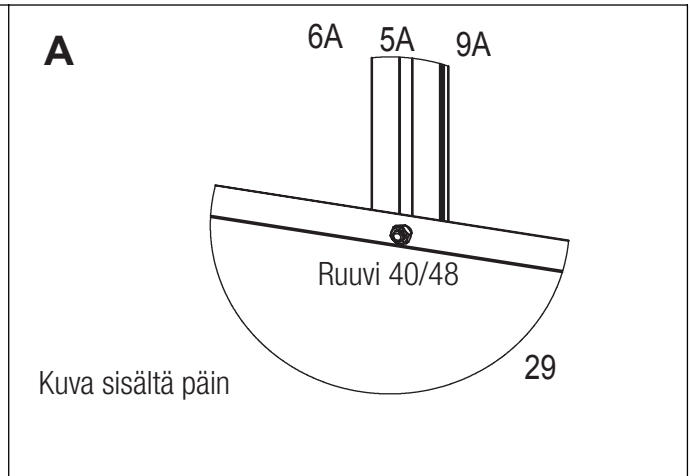
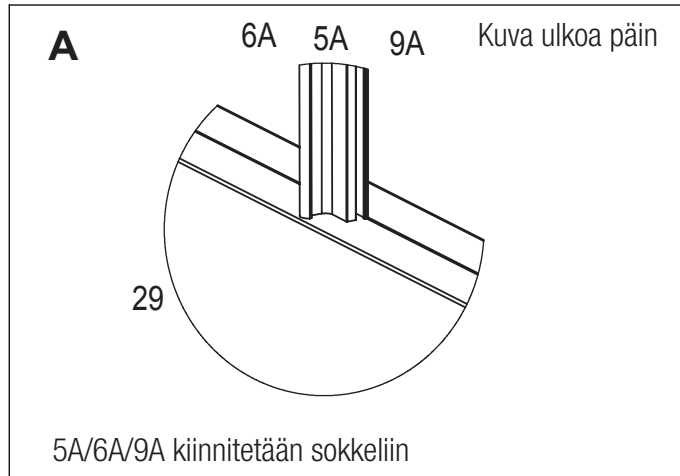
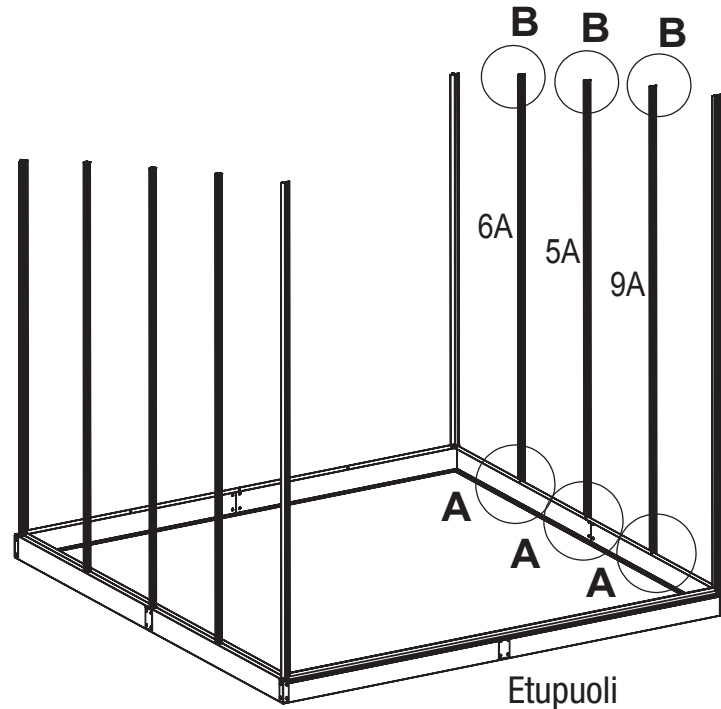
SEINÄRUNKOJEN KOKOAMINEN

Osanro.	Lkm.	Kuva	Mitat (mm)
5A	1KPL		1957
6A	1KPL		1829
9A	1KPL		2098
40	6KPL		
48	6KPL		



Tämä kokoamisvaihe vaatii kaksi henkilöä!

Oikea puoli



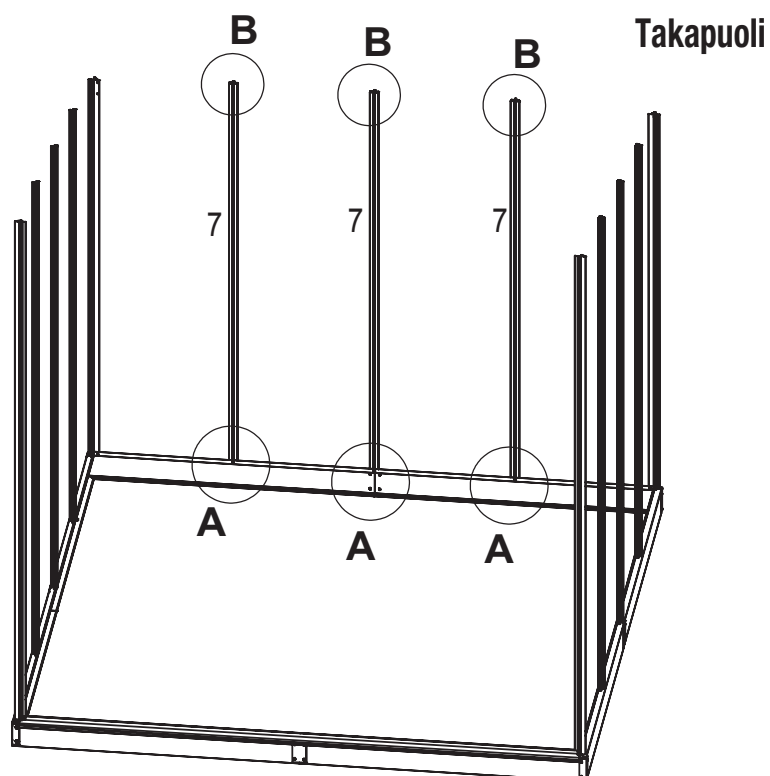
CELLO

SEINÄRUNKOJEN KOKOAMINEN

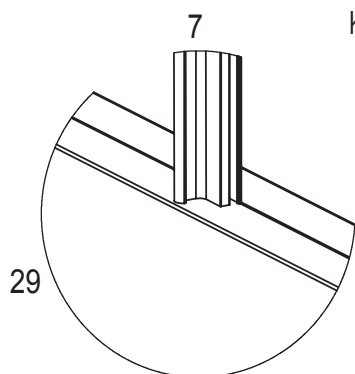
Osanro.	Lkm.	Kuva	Mitat (mm)
7	1KPL		1695
40	6KPL		
48	6KPL		



Tämä kokoamisvaihe vaatii kaksi henkilöä!



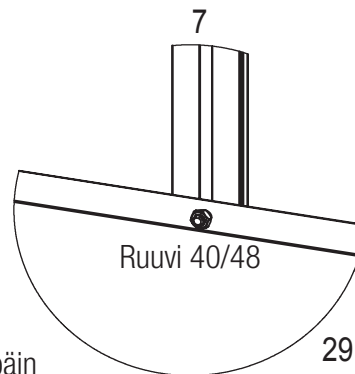
A



Kuva ulkoa päin

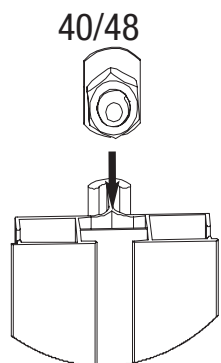
Osa nro 7 kiinnitetään sokkeliin

A



Kuva sisältä päin

B



Aseta osien nr 7 uriin yhdet ylimääräiset ruuvit/
mutterit (40/48) myöhempää tarvetta varten

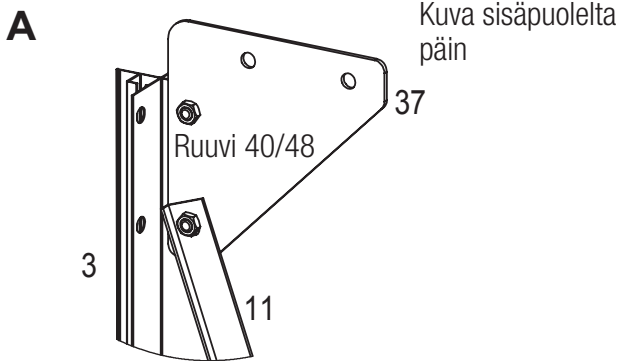
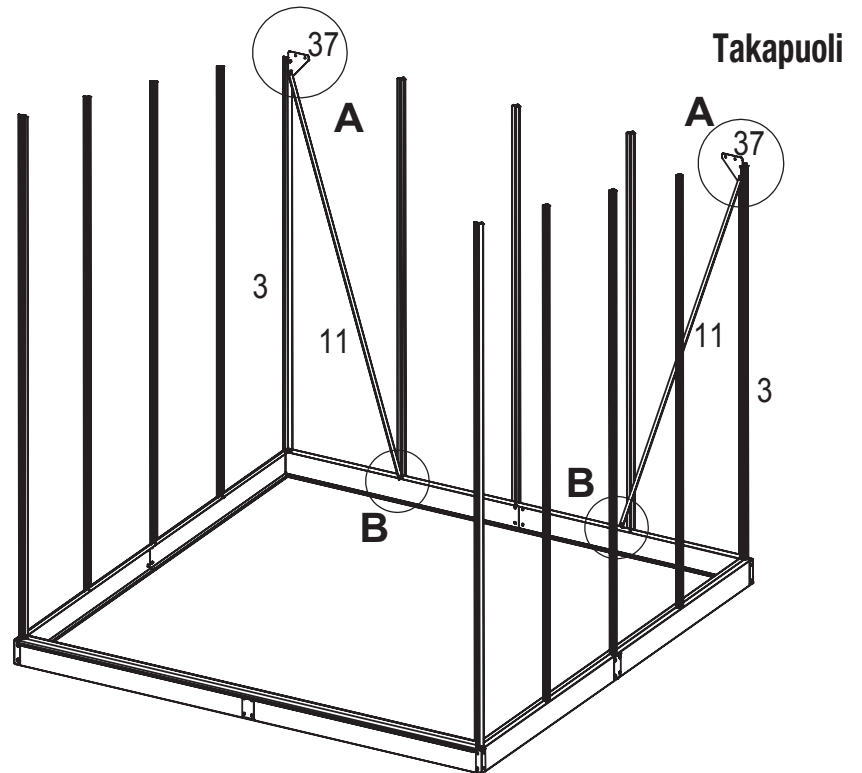
CELLO

SEINÄRUNKOJEN KOKOAMINEN

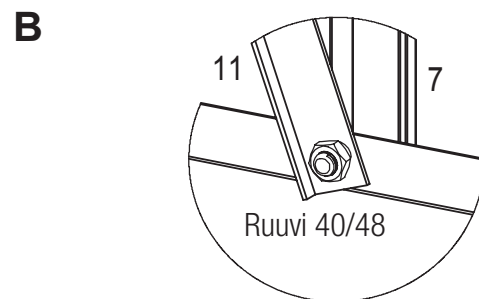


Osanro.	Lkm.	Kuva	Mitat (mm)
11	2KPL		1720
37	2KPL		
40	6KPL		
48	6KPL		

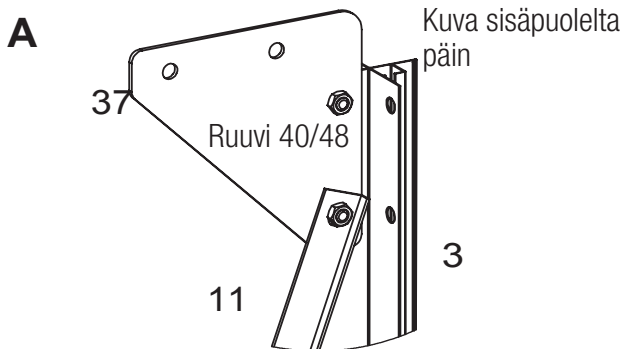
Tämä kokoamisvaihe vaatii kaksi henkilöä!



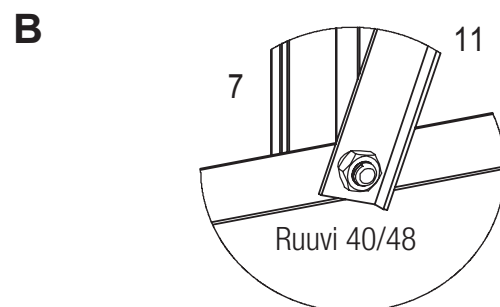
Kiinnike nro 37 ensin, sitten osa nro 11



Kuva sisäpuolelta päin






Kiinnike nro 37 ensin, sitten osa nro 11



Kuva sisäpuolelta päin

CELLO

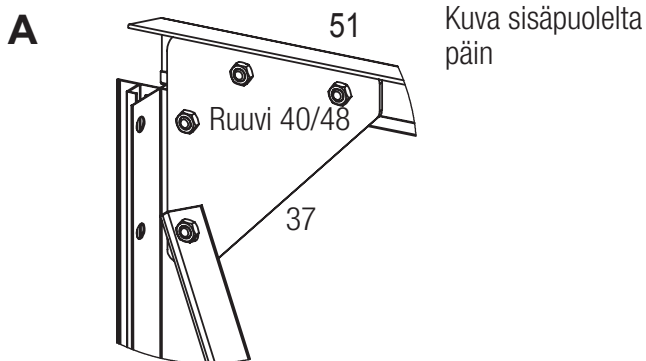
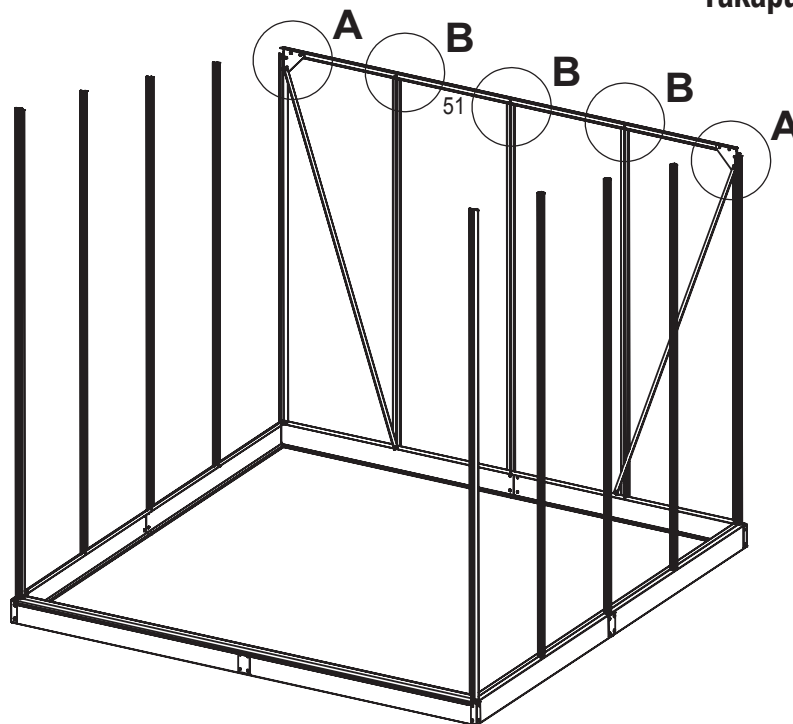
SEINÄRUNKOJEN KOKOAMINEN

Osanro.	Lkm.	Kuva	Mitat (mm)
51	1KPL		
40	4KPL		
48	4KPL		

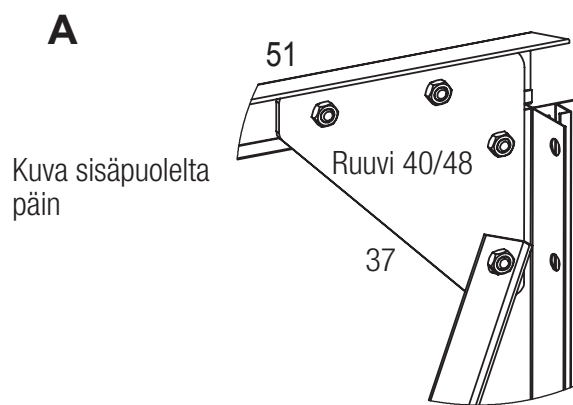


Tämä kokoamisvaihe vaatii kaksi henkilöä!

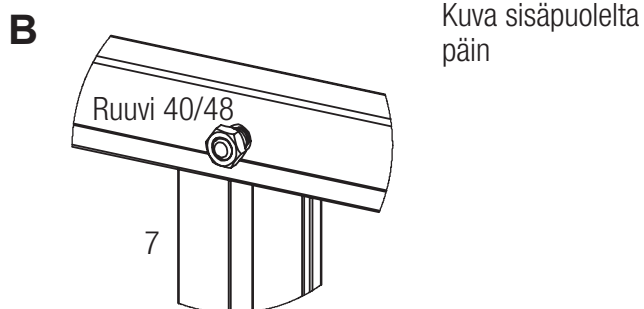
Takapuoli



Osa nro 51 kiinnitetään nro 37:ään



Osa nro 51 kiinnitetään nro 37:ään



Osa nro 51 kiinnitetään nro 7:ään

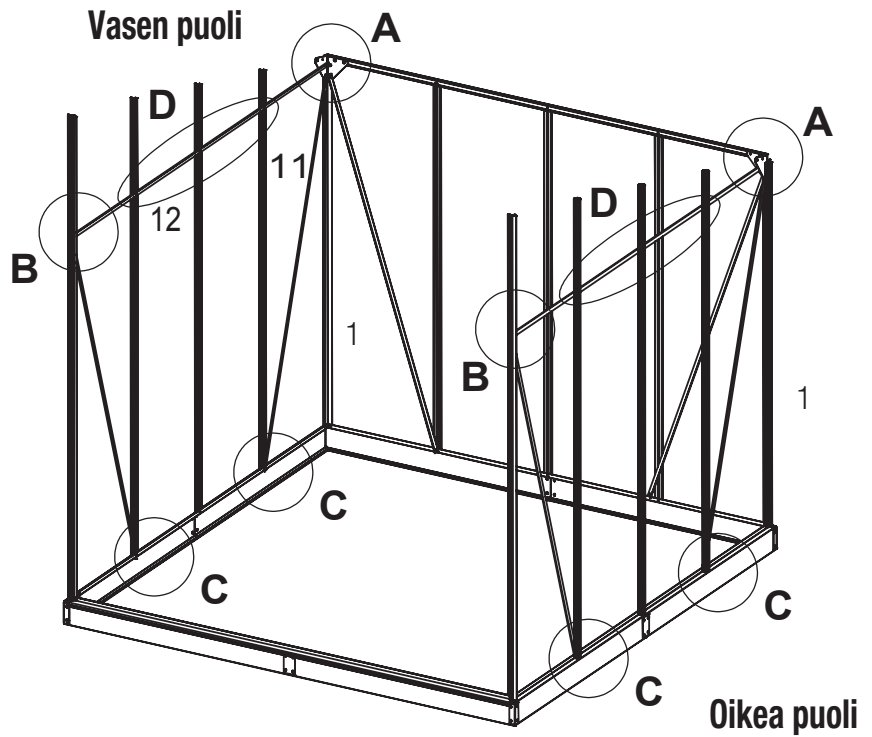
CELLO

SEINÄRUNKOJEN KOKOAMINEN

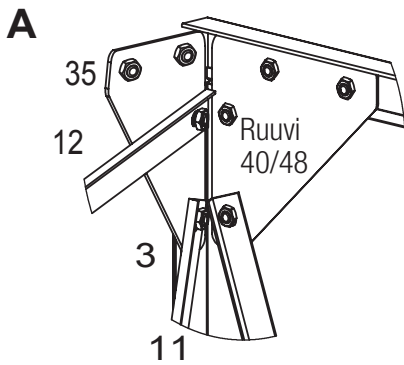


Osanro.	Lkm.	Kuva	Mitat (mm)
11	4KPL		1720
12	2KPL		2400
35	2KPL		
40	22KPL		
48	22KPL		

Tämä kokoamisvaihe vaatii kaksi henkilöä!

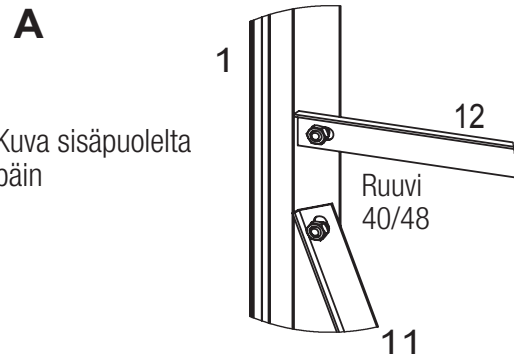


Asenna ensin kiinnike nro 35 ruuveilla



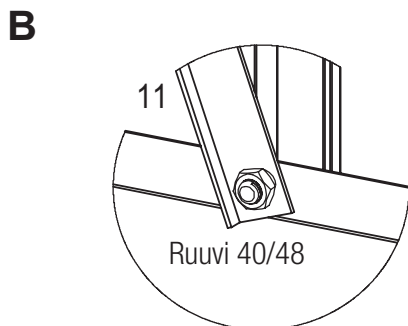
Kuva sisäpuolelta päin

Kiinnitä 11/12/35 nro 3:een
Huomioi 11/12 asennusasento

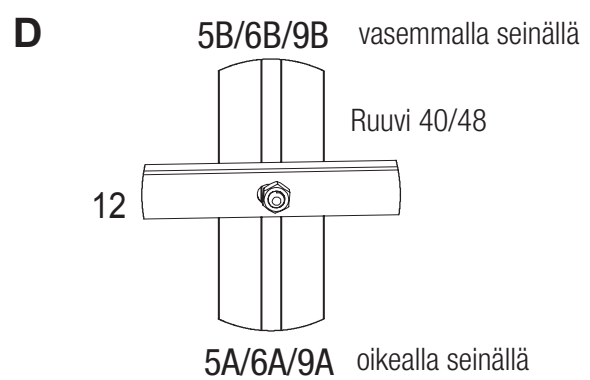


Kuva sisäpuolelta päin

11/12 kiinnitetään osa nro 1:een



Kuva sisäpuolelta päin



Kuva sisäpuolelta päin

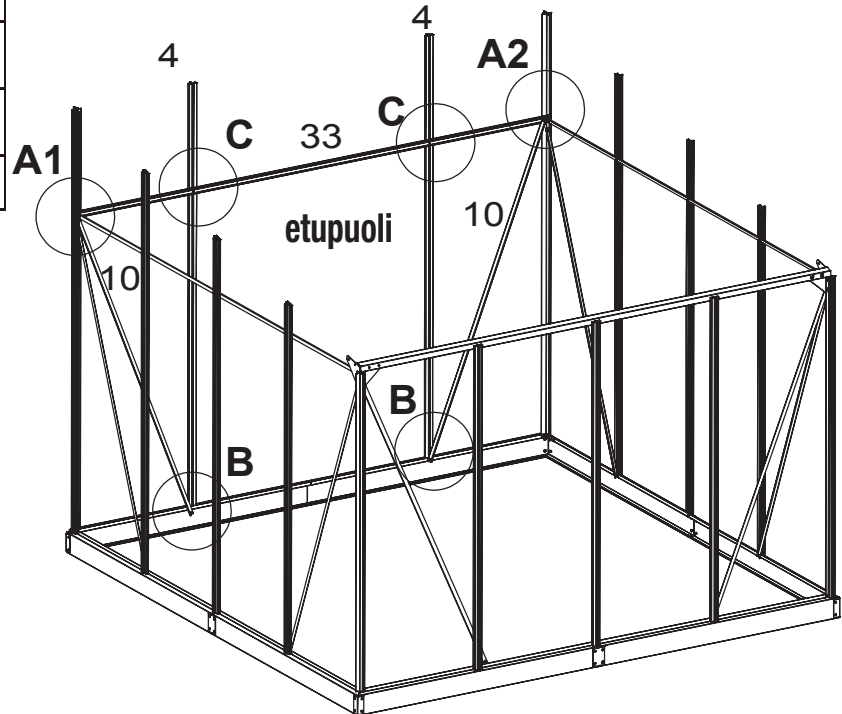
CELLO

SEINÄRUNKOJEN KOKOAMINEN

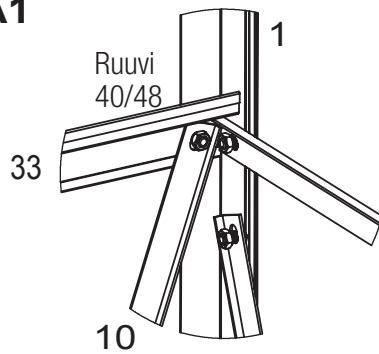


Osanro.	Lkm.	Kuva	Mitat (mm)
4	2KPL		2230
10	2KPL		1765
33	1KPL		2406
40	8KPL		
48	8KPL		

Tämä kokoamisvaihe vaatii kaksi henkilöä!



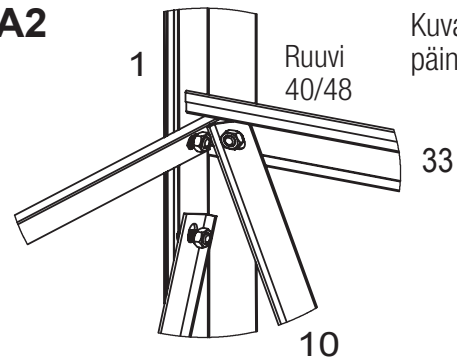
A1



Kuva sisältä päin

10/33 kiinnitetään osaan nro 1

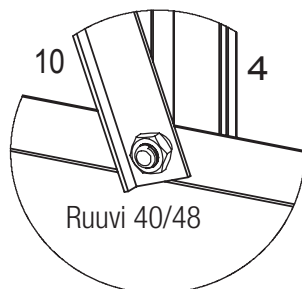
A2



Kuva sisältä päin

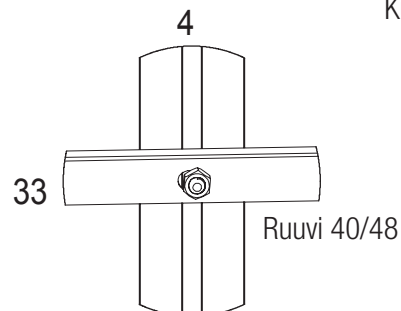
10/33 kiinnitetään nro 1

B



Kuva sisältä päin

C




Kuva sisältä päin

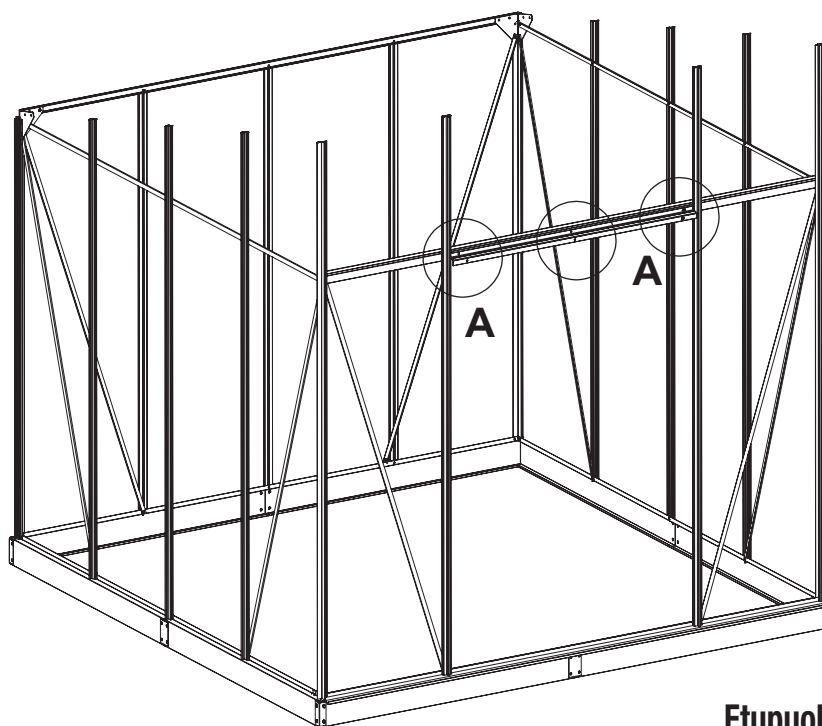
Nro 33 kiinnitetään nro 4:ään

CELLO

SEINÄRUNKOJEN KOKOAMINEN

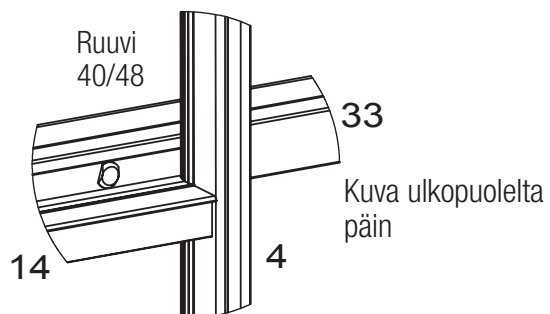


Osanro.	Lkm.	Kuva	Mitat (mm)
14	1KPL		1176
40	3KPL		
48	3KPL		



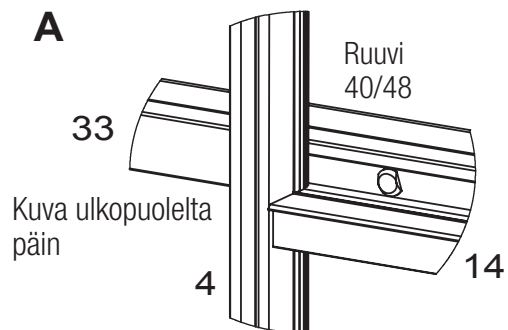
Etupuoli

A



Nro 14 kiinnitetään nro 33:een






A

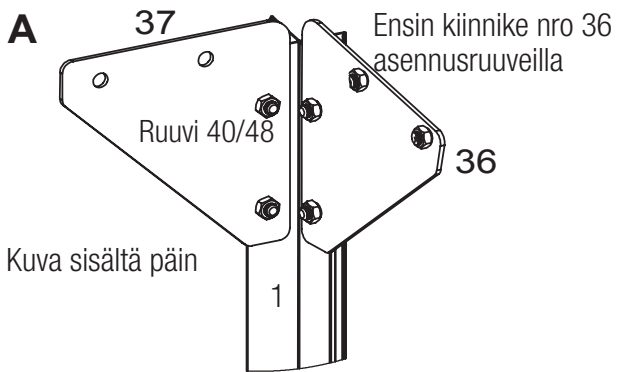
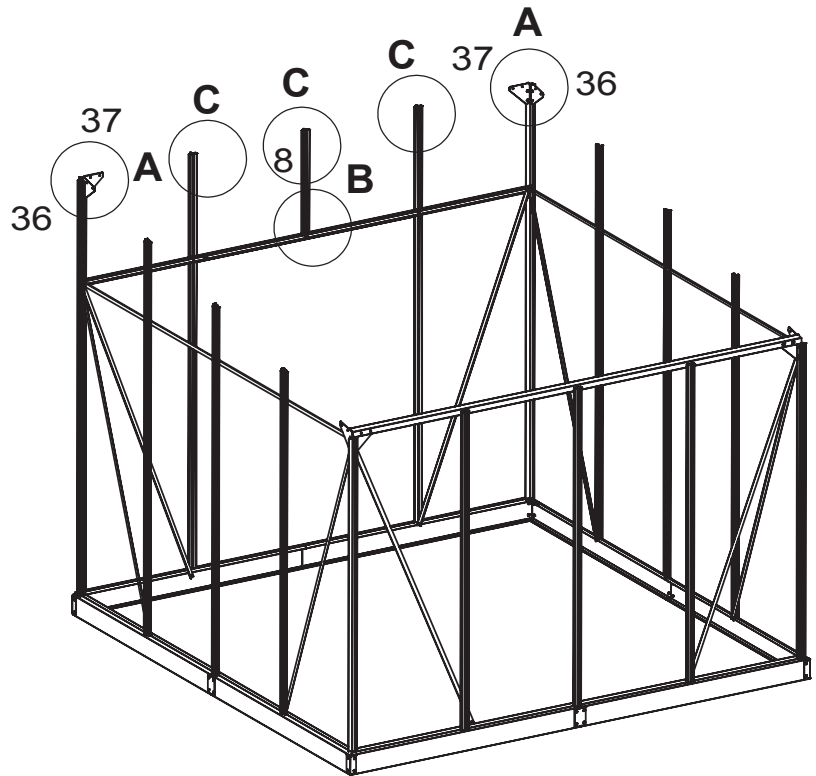


Nro 14 kiinnitetään nro 33:een

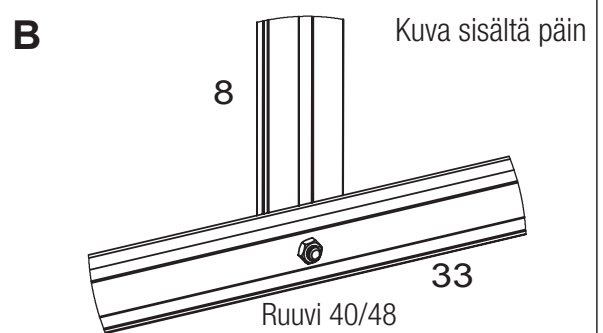
CELLO

SEINÄRUNKOJEN KOKOAMINEN

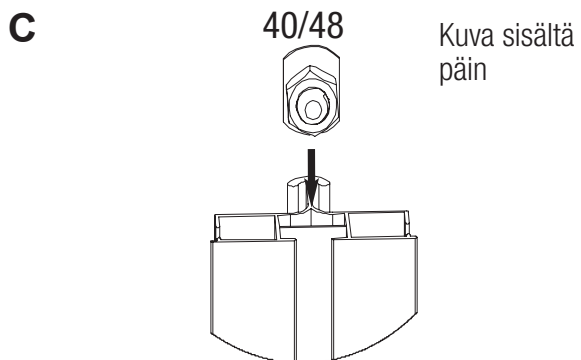
Osanro.	Lkm.	Kuva	Mitat (mm)
8	1KPL		568
36	2KPL		
37	2KPL		
40	16KPL		
48	16KPL		



Nro 36/37 kiinnitetään osaan nro 1




Nro 8 kiinnitetään nro 33:een



Aseta C-kirjaimella kuvassa merkittyihin osiin yksi ylimääräinen ruuvi myöhempää kokoamisvaihetta varten

CELLO

PC-SEINÄPANEELIN ASENTAMINEN

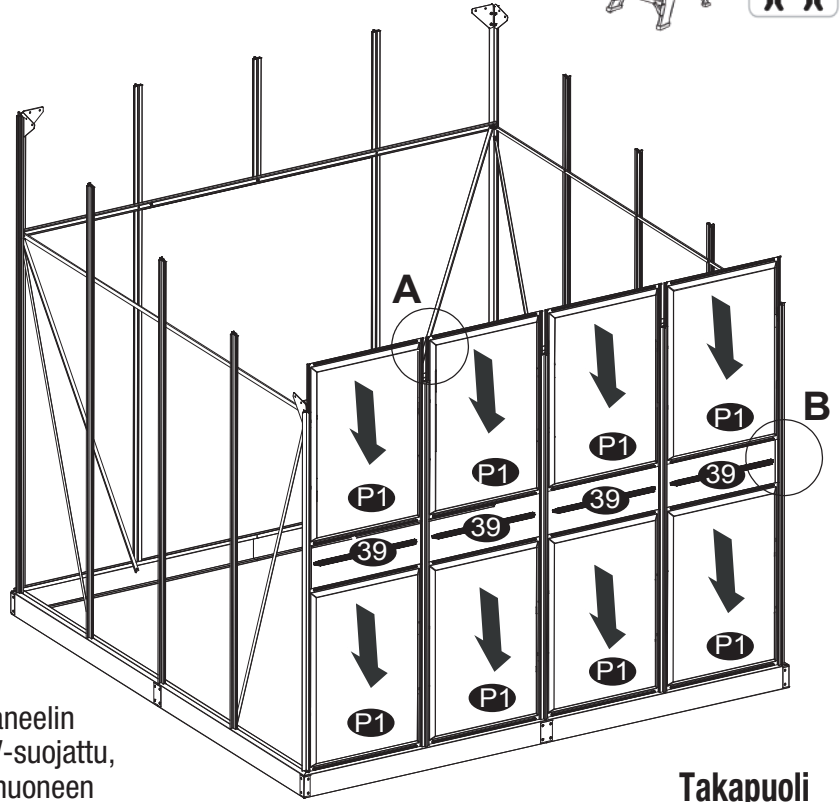
Osanro.	Lkm.	Kuva	Mitat (mm)
P1	8KPL		845x590
39	4KPL		568



Vihreä suojakalvo osoittaa UV-suojatun puolen 0,7 mm seinäpaneeleissa.



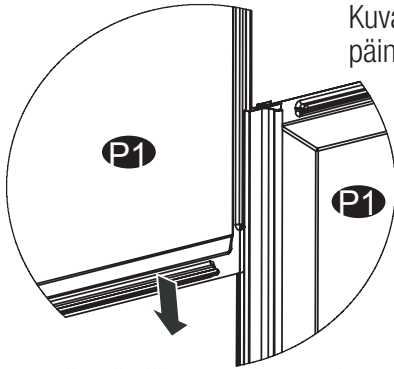
Läpinäkyvä suojakalvo 0,7 mm seinäpaneeleissa osoittaa UV-suojaamattoman puolen.



Muistathan poistaa suojakalvon seinäpaneelin molemmilta puolilta. Kovera puoli on UV-suojattu, joten se suunnataan osoittamaan kasvihuoneen ulkopuolelle.

Takapuoli

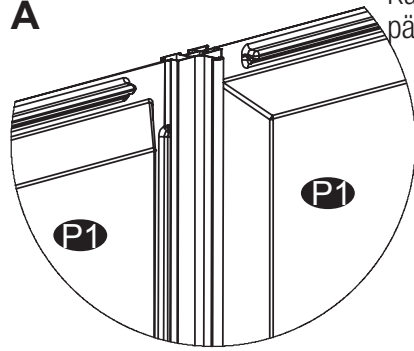
A



Kuva ulkopuolelta päin

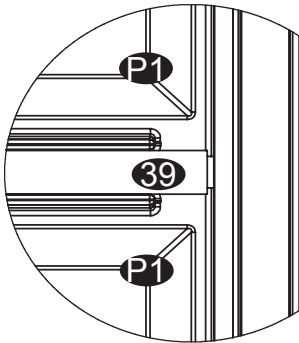
Aseta paneeli paikoilleen nuolen osoittaman suunnan mukaisesti

A



Kuva ulkopuolelta päin

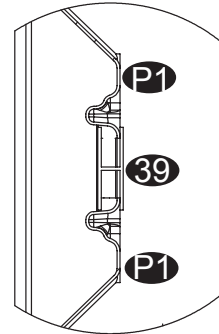
B



Kuva ulkopuolelta päin

Osan 39 asennus ylä- ja alapuolella olevan seinäpaneelin väliin

B



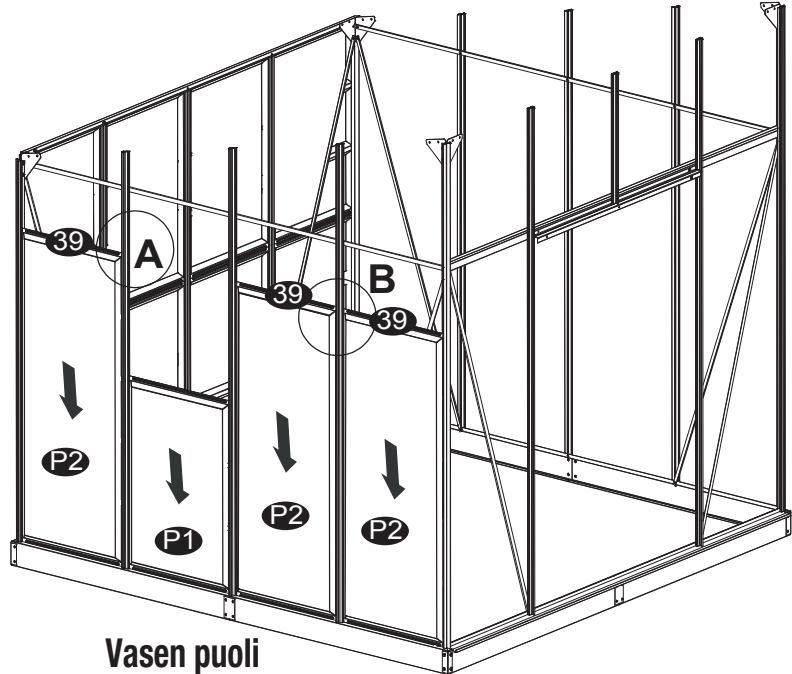
sivuttaisnäkömä osan 39 asennuksesta

CELLO

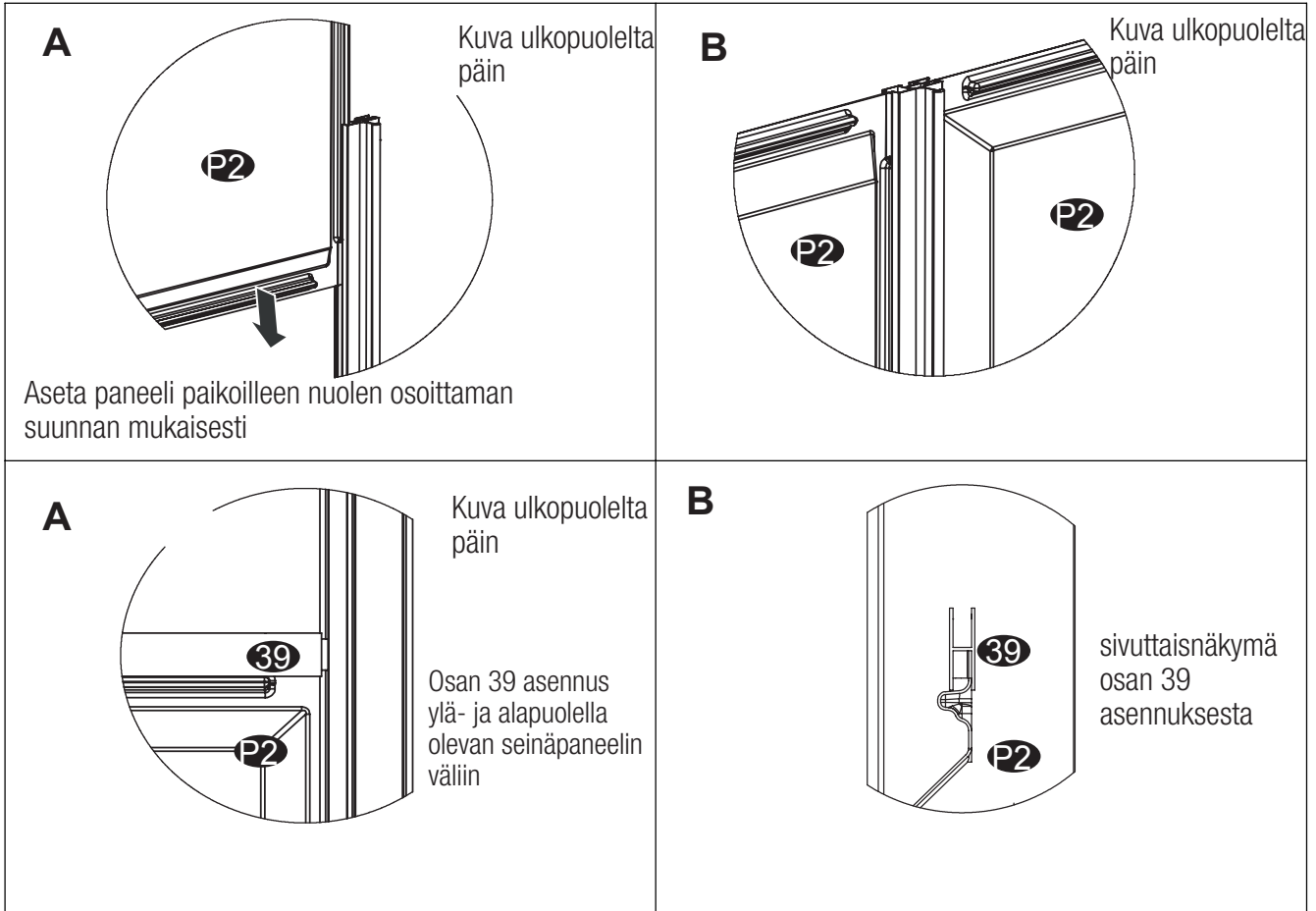
PC-SEINÄPANEELIN ASENTAMINEN



Osanro.	Lkm.	Kuva	Mitat (mm)
P1	1KPL		845x590
P2	3KPL		1375x590
39	3KPL		568





Irrota suojakalvo paneelin molemmilta puolilta

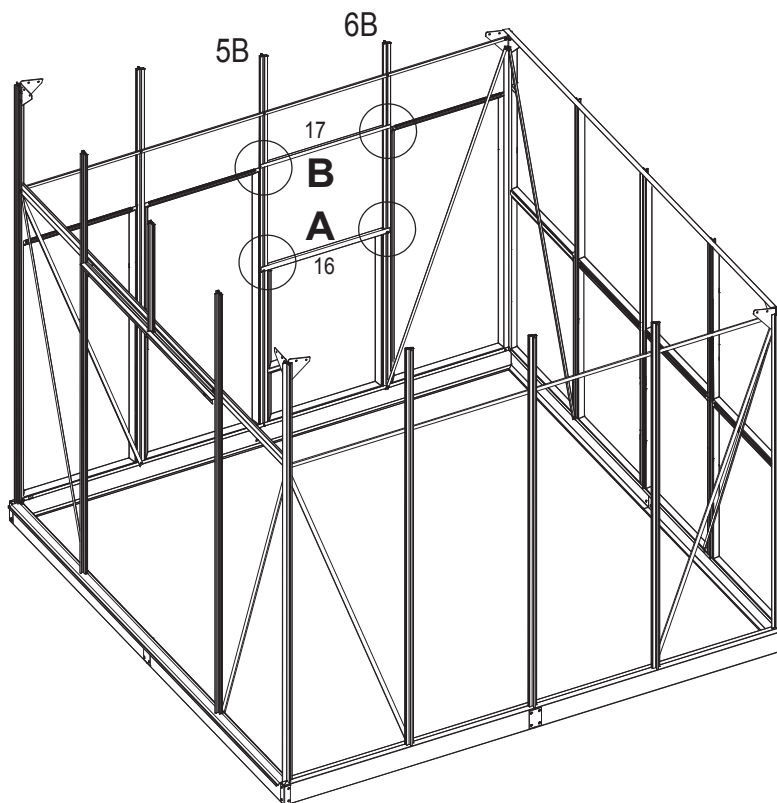


CELLO

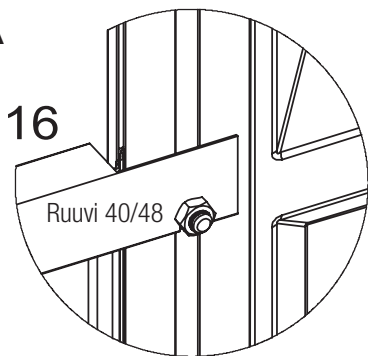
TUULETUSLUUKKIJEN ASENTAMINEN SEINÄÄN

Osanro.	Lkm.	Kuva	Mitat (mm)
16	1KPL		635
17	1KPL		638

Vasen puoli



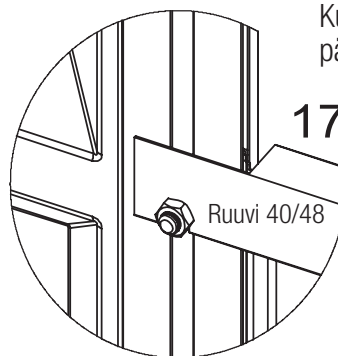
A



Kuva sisäpuolelta
päin

Nro 16 kiinnitetään 5B/6B:hen

B



Kuva sisäpuolelta
päin

Nro 17 kiinnitetään 5B/6B:hen

A-B



Kuva sivulta päin, osat 16 ja 17 asennettuna

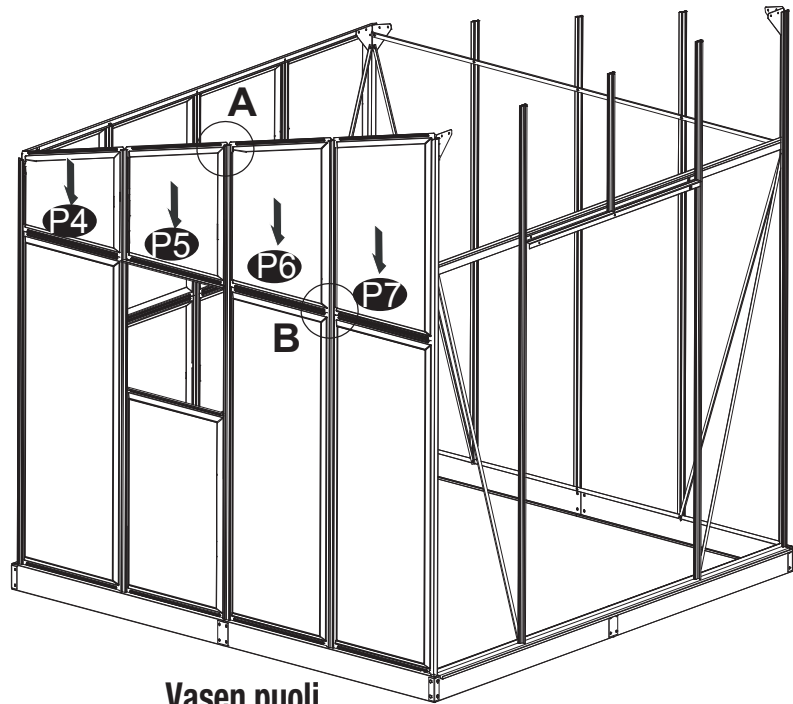


CELLO

PC-SEINÄPANEELIN ASENTAMINEN

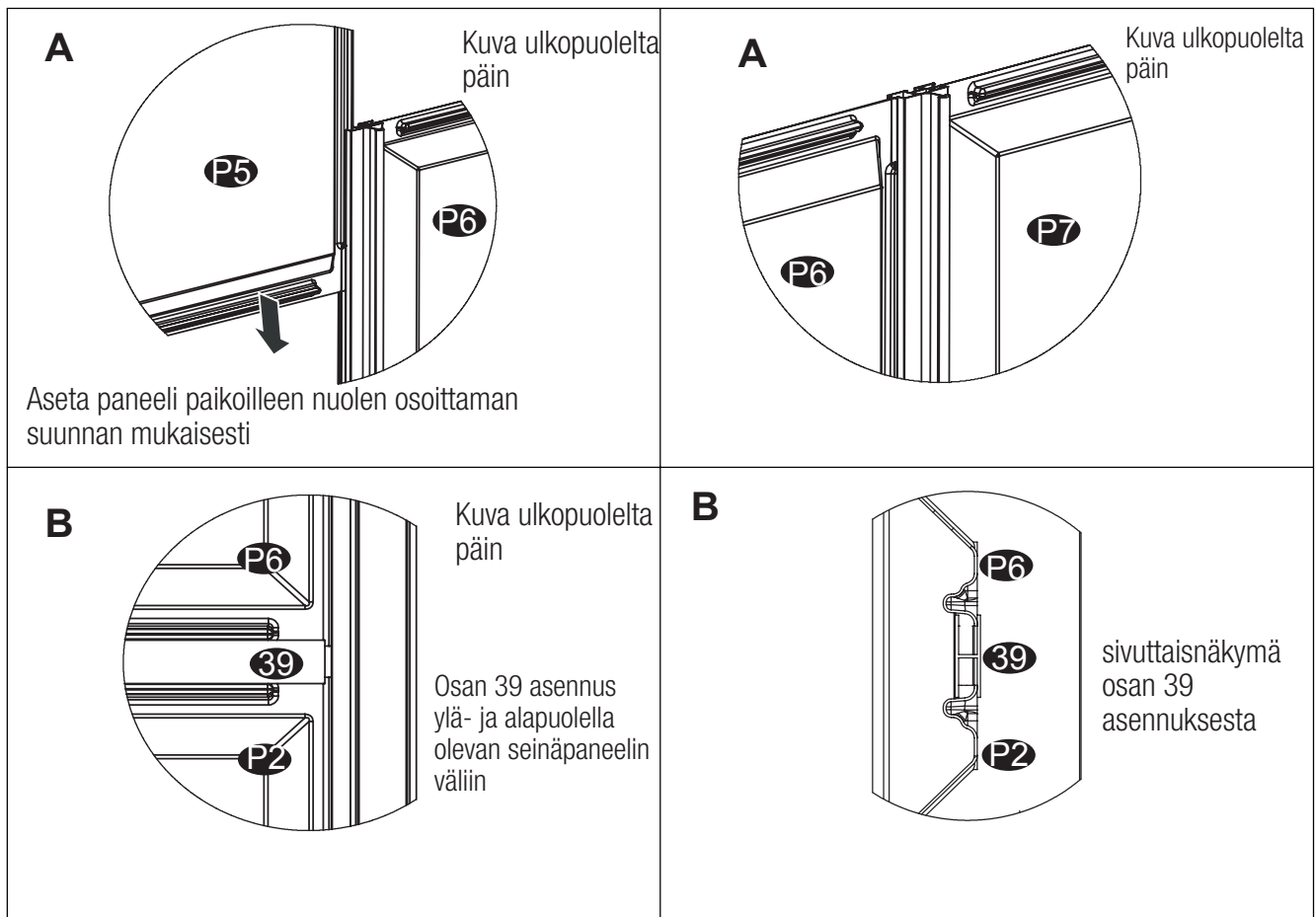


Osanro.	Lkm.	Kuva	Mitat (mm)
P4	1KPL		450x590
P5	1KPL		590x590
P6	1KPL		720x585
P7	1KPL		590x853



Vasen puoli

Irrota suojakalvo paneelin molemmilta puolilta



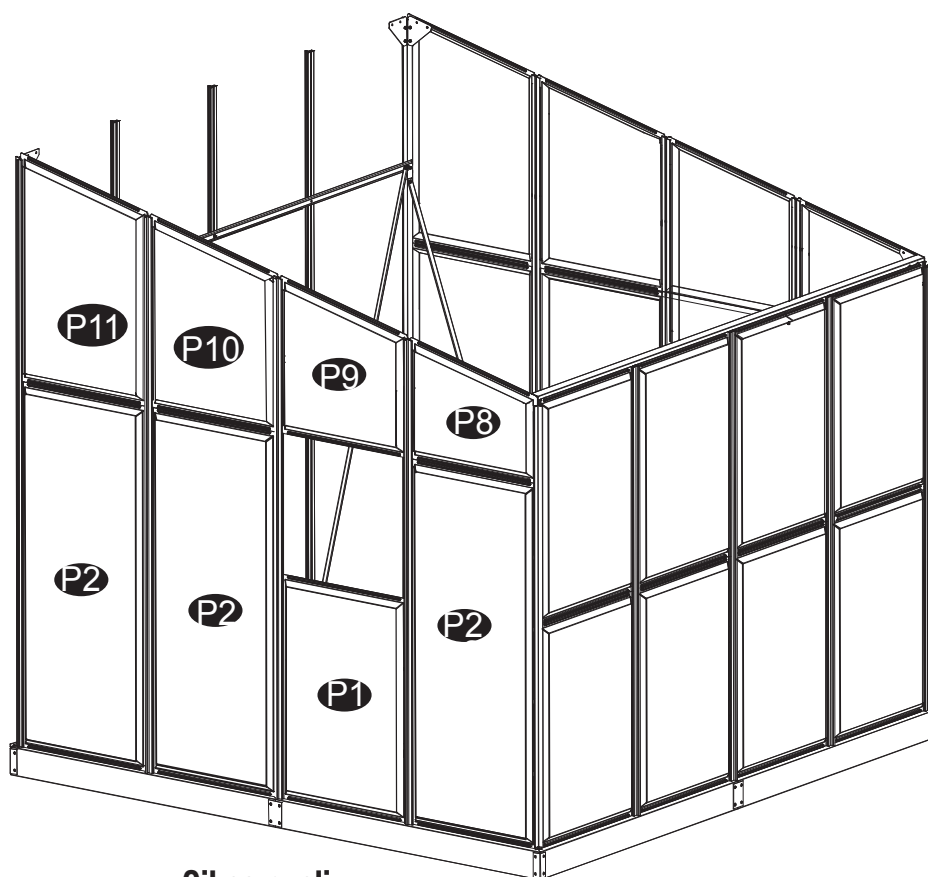
CELLO

PC-SEINÄPANEELIN ASENTAMINEN



Osanro.	Lkm.	Kuva	Mitat (mm)
P1	1KPL		845x590
P2	3KPL		1367x590
16	1KPL		635
17	1KPL		638

Osanro.	Lkm.	Kuva	Mitat (mm)
P8	1KPL		450x590
P9	1KPL		585x590
P10	1KPL		720x590
P11	1KPL		590x855



Oikea puoli

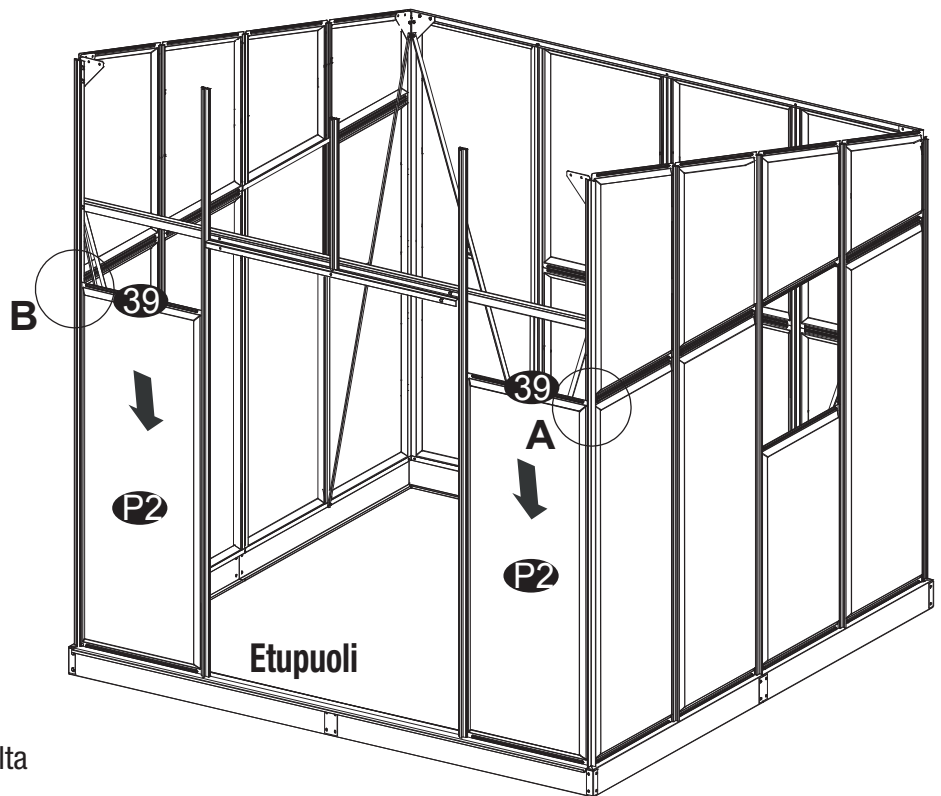
Katso sivulta 65/66/67 ohjeet oikeanpuoleisen paneelin asennukseen

CELLO

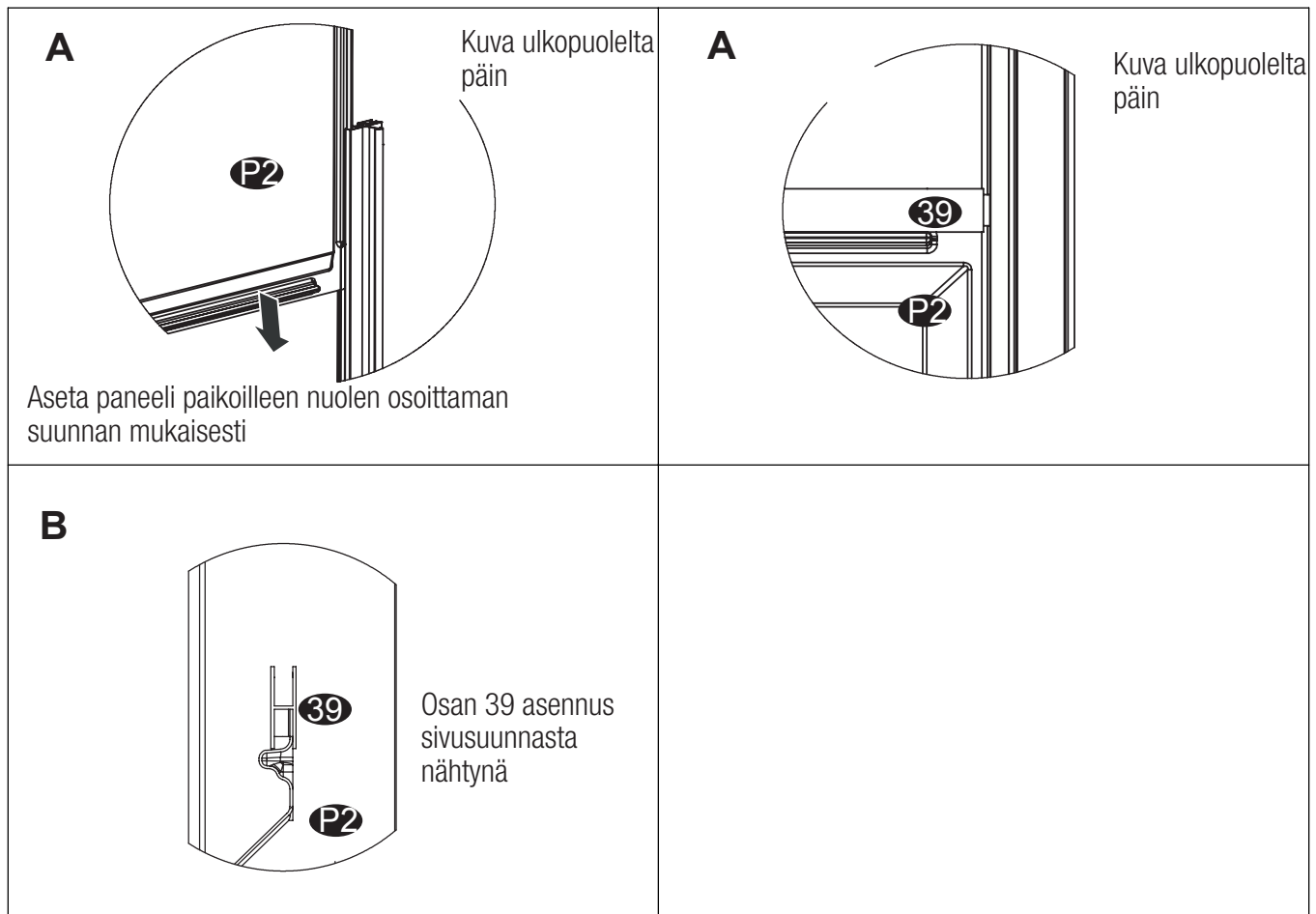
PC-SEINÄPANEELIN ASENTAMINEN



Osanro.	Lkm.	Kuva	Mitat (mm)
P2	2KPL		1367X590
39	2KPL		568



Irrota suojakalvo paneelin molemmilta puolilta

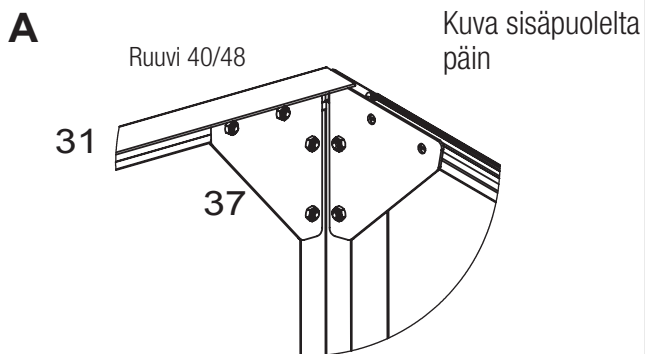
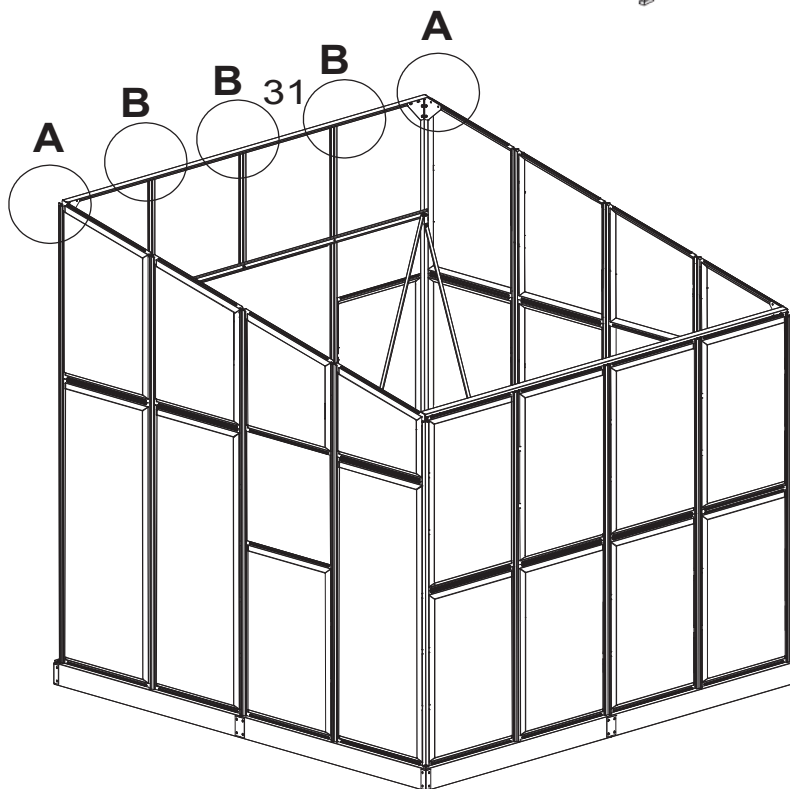


CELLO

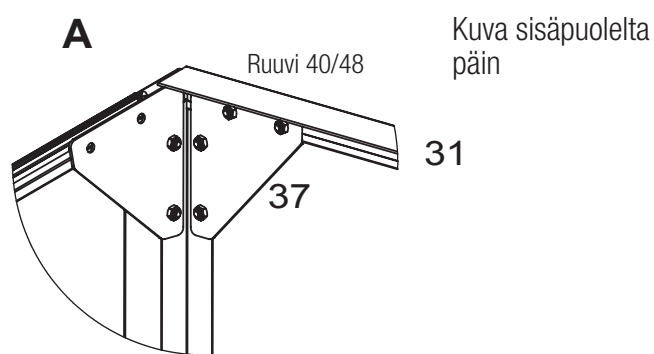
SEINÄRUNGON KOKOAMINEN



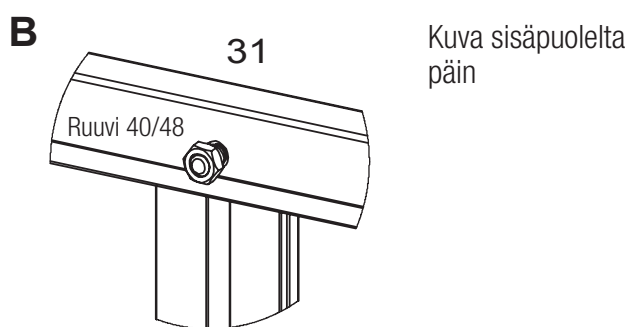
Osanro.	Lkm.	Kuva	Mitat (mm)
31	1KPL		2406
40	7KPL		
48	7KPL		



Nro 31 kiinnitetään nro 37:ään



Nro 31 kiinnitetään nro 37:ään

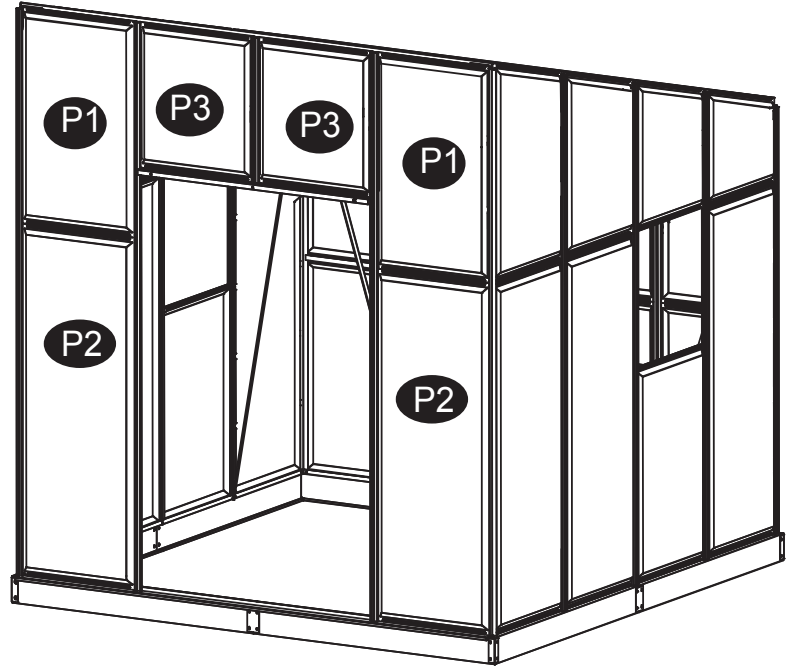


CELLO

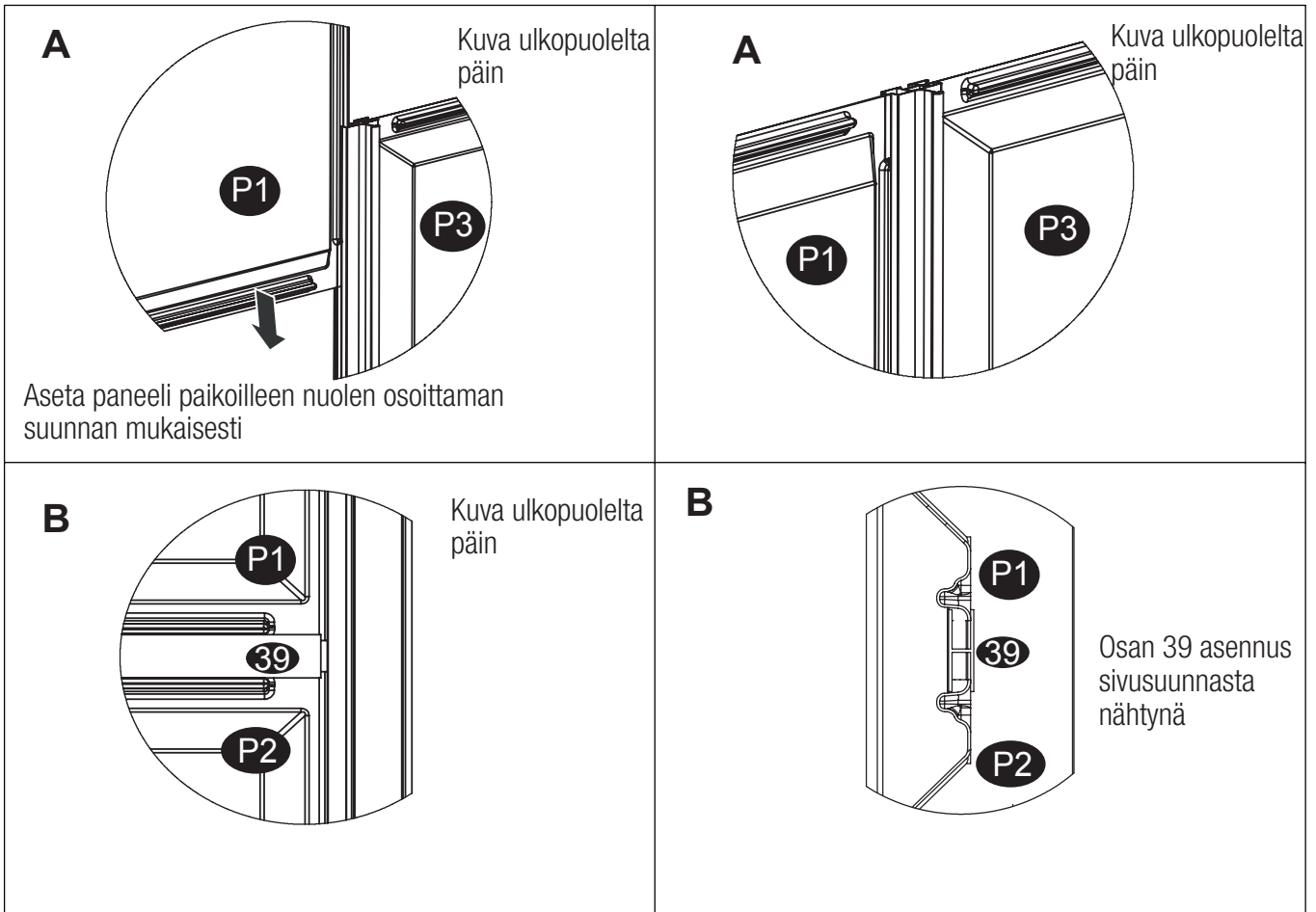
PC-SEINÄPANEELIN ASENTAMINEN



Osanro.	Lkm.	Kuva	Mitat (mm)
P1	2KPL		845x590
P3	2KPL		595x590



Irrota suojakalvo paneelin molemmilta puolilta

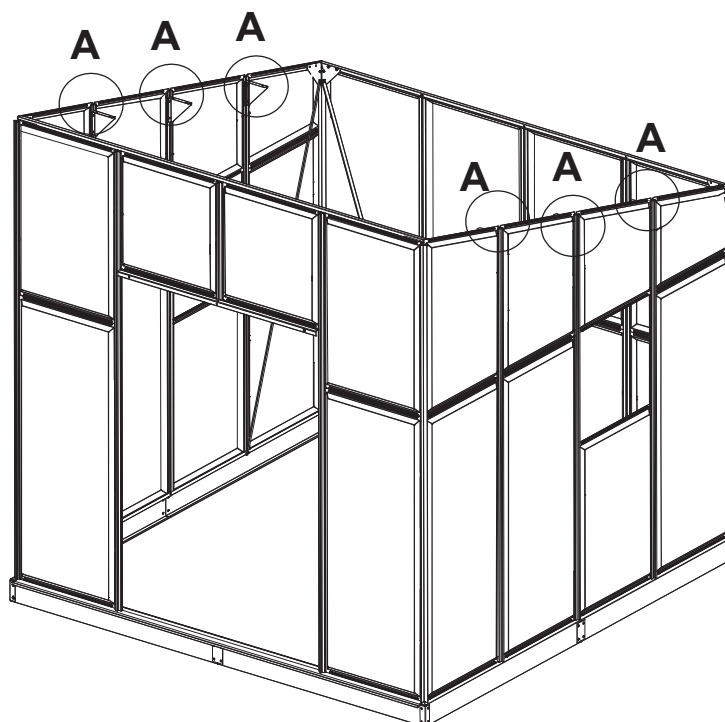


CELLO

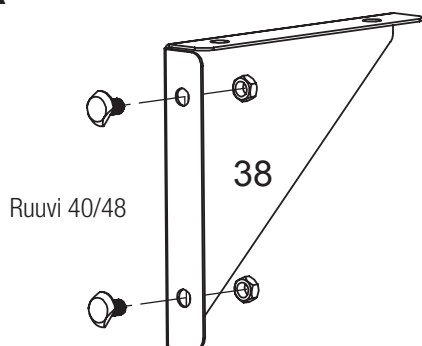
KATTOPALKKIEEN KANNAKKEIDEN ASENNUS



Osanro.	Lkm.	Kuva	Mitat (mm)
38	6KPL		
40	12KPL		
48	12KPL		

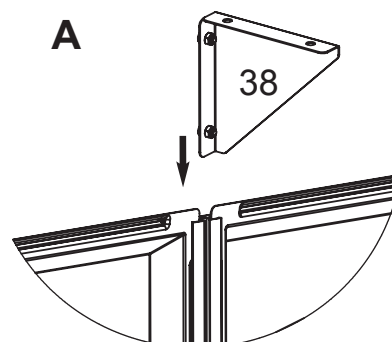


A



Nro 38 kiinnike ruuvataan ensin

A







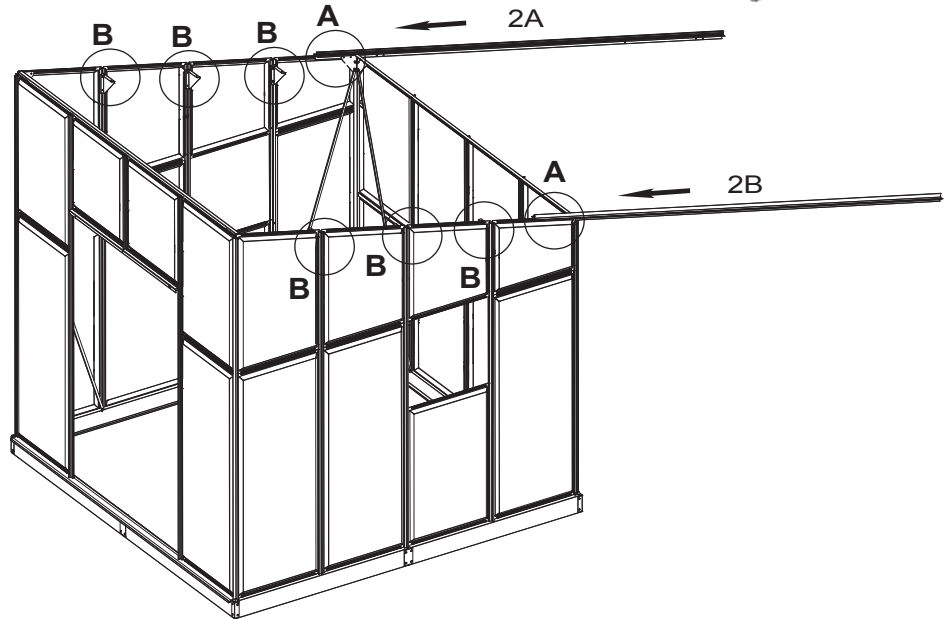
Kuva ulkopuolelta päin

Aseta kiinnike nro 38 nuolen osoittaman suunnan mukaisesti Älä aluksi kiristä ruuvia

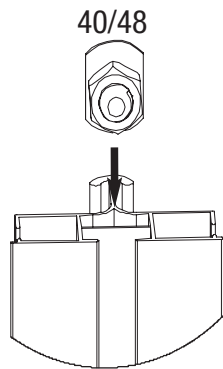
CELLO

KATON SIVUPALKKIEN ASENNUS

Osanro.	Lkm.	Kuva	Mitat (mm)
2A	1KPL		2954
2B	1KPL		2954
40	6KPL		
48	6KPL		



B



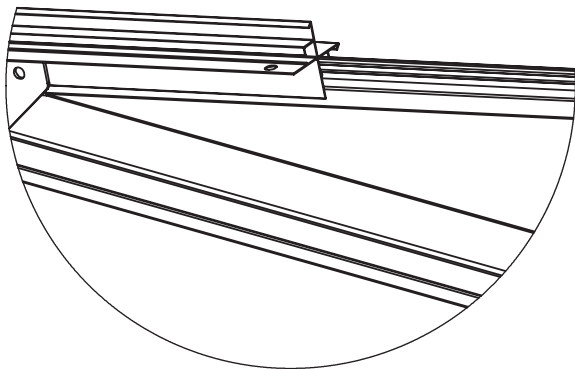
40/48

Kuva sisäpuolelta
päin

Ennen kuin asennat 2A/2B:n, laita kuvassa B:llä merkittyjen osien uriin yksi ylimääräinen ruuvi myöhempää kokoamisvaihetta varten

A

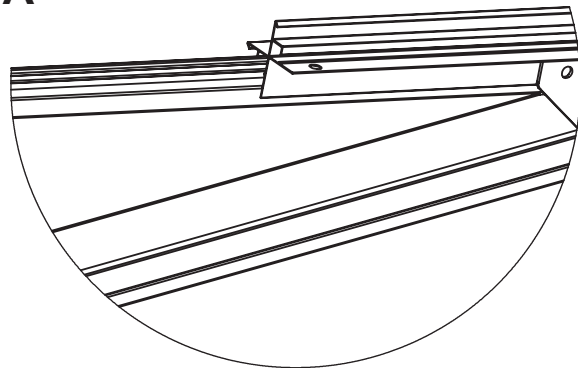
2B



Aseta osa nro 2A/2B nuolen osoittaman suunnan mukaisesti. Huomaa suunta

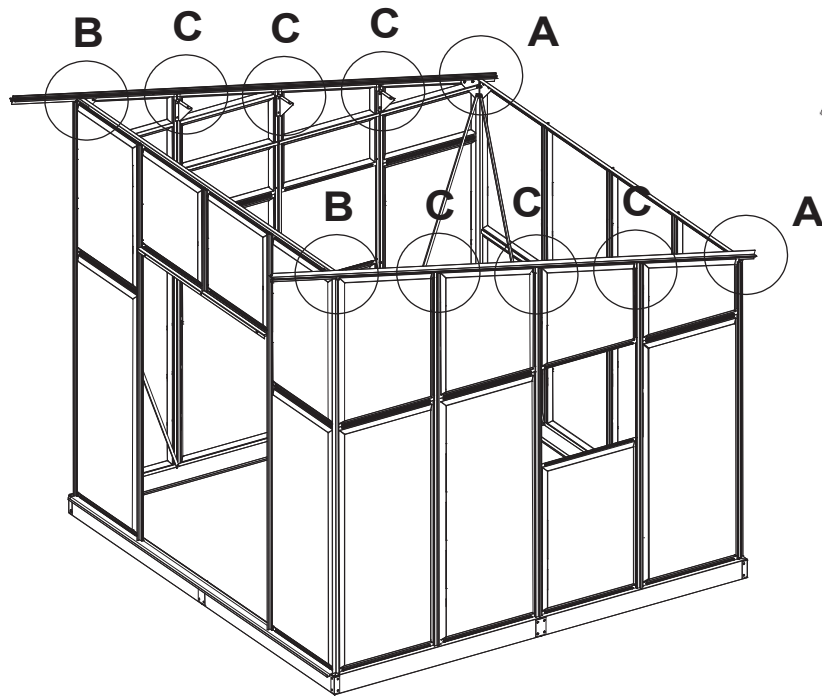
A

2A



Aseta osa nro 2A/2B nuolen osoittaman suunnan mukaisesti. Huomaa suunta

CELLO



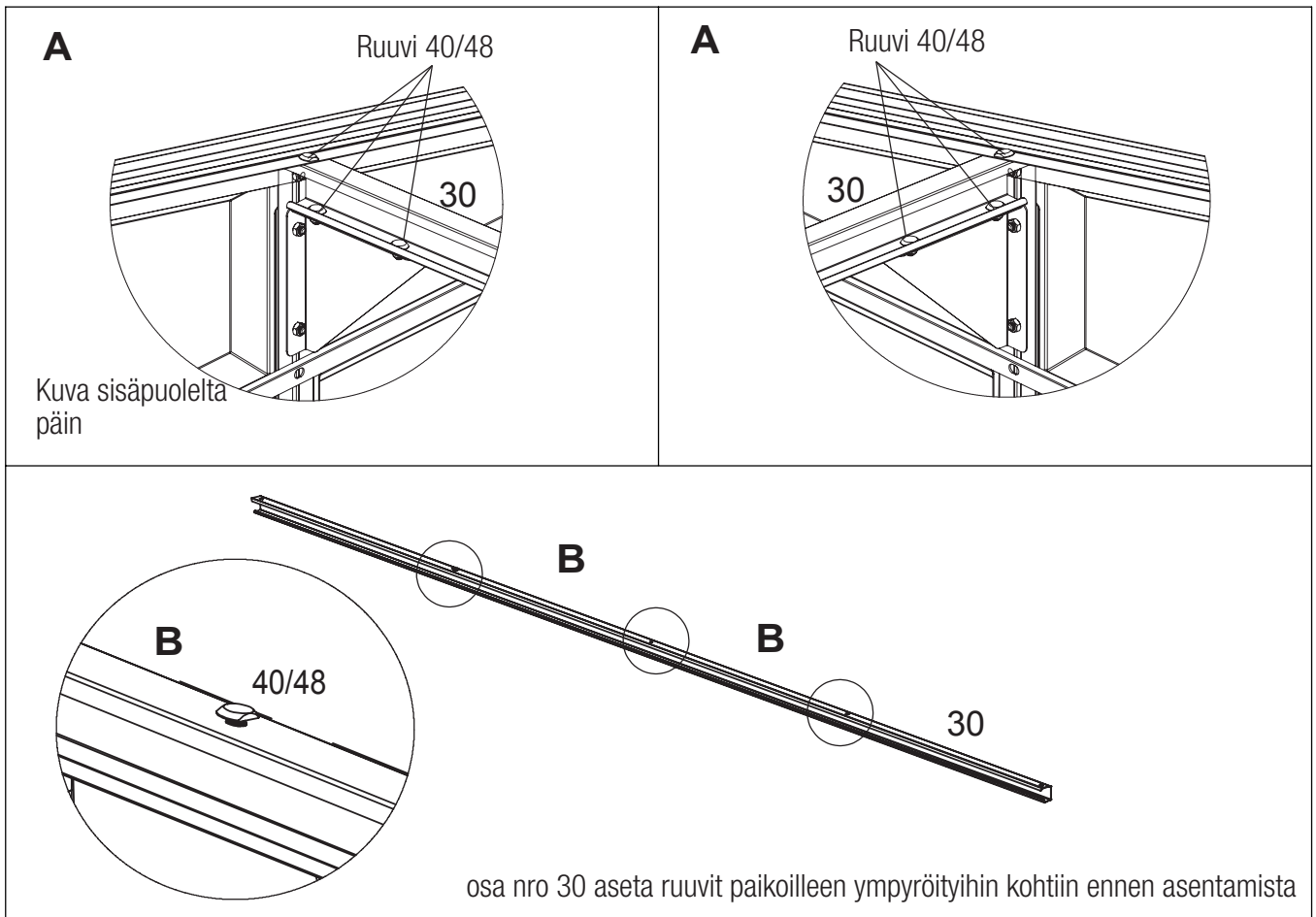
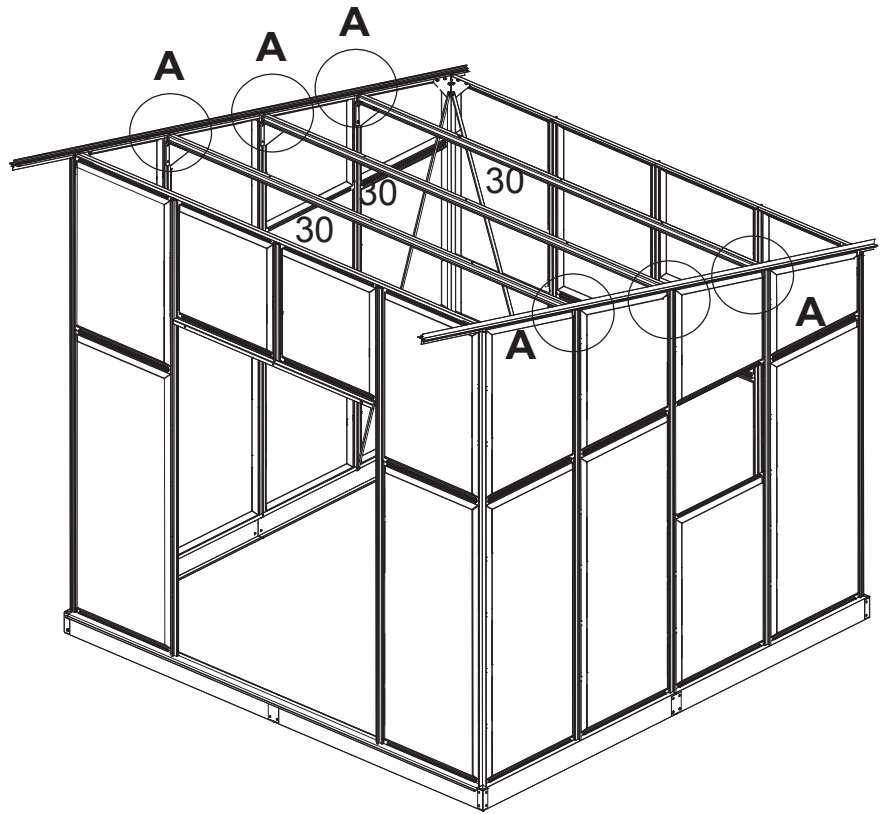
<p>A</p> <p>Ruuvi 40/48</p> <p>Kuva sisäpuolelta päin</p> <p>2A</p>	<p>A</p> <p>Ruuvi 40/48</p> <p>Kuva sisäpuolelta päin</p> <p>2B</p>
<p>B</p> <p>2A</p> <p>Ruuvi 40/48</p> <p>Kuva sisäpuolelta päin</p>	<p>B</p> <p>Ruuvi 40/48</p> <p>2B</p> <p>Kuva sisäpuolelta päin</p>
<p>C</p> <p>Ruuvi 40/48</p> <p>Kuva sisäpuolelta päin</p> <p>2A</p>	<p>C</p> <p>Ruuvi 40/48</p> <p>Kuva sisäpuolelta päin</p> <p>2B</p>

CELLO

KATON KOKOAMINEN



Osanro.	Lkm.	Kuva	Mitat (mm)
30	3KPL		2406
40	21KPL		
48	21KPL		



CELLO

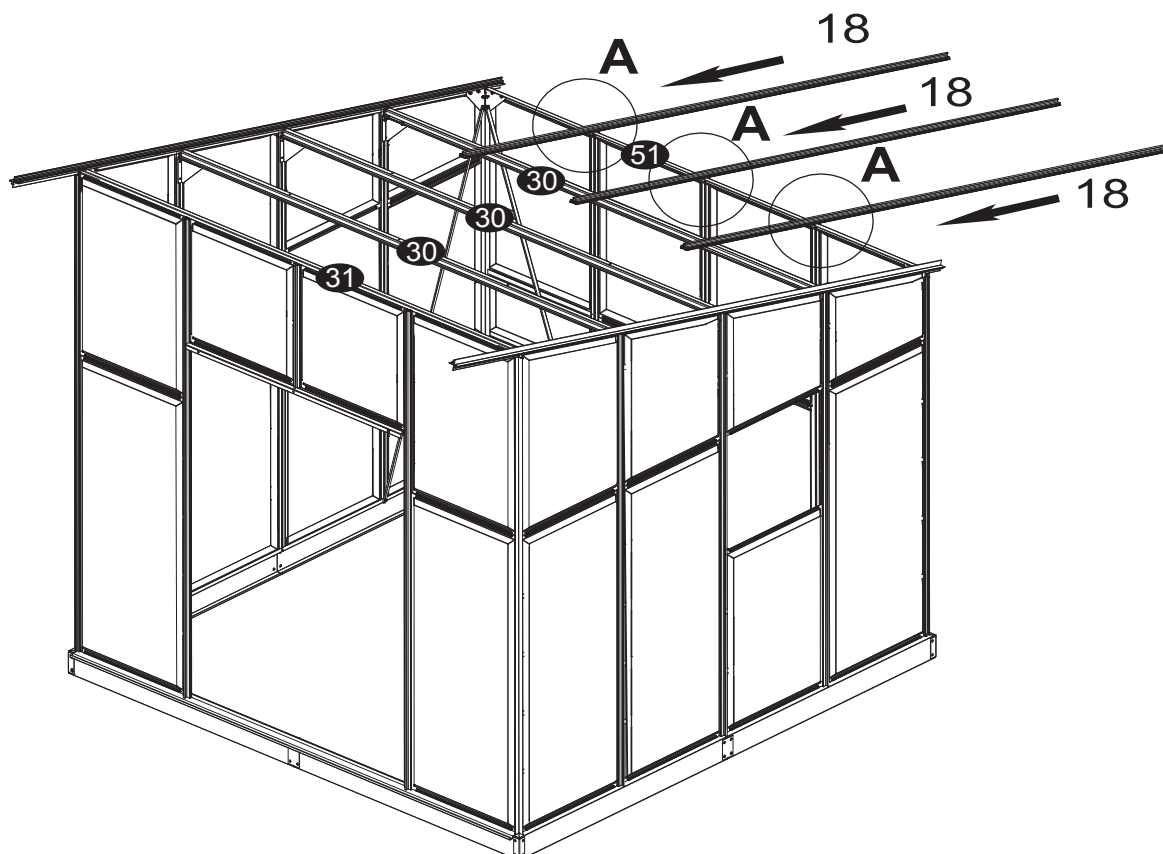
KATON KOKOAMINEN



Osanro.	Lkm.	Kuva	Mitat (mm)
18	3KPL		2935
40	6KPL		
48	6KPL		

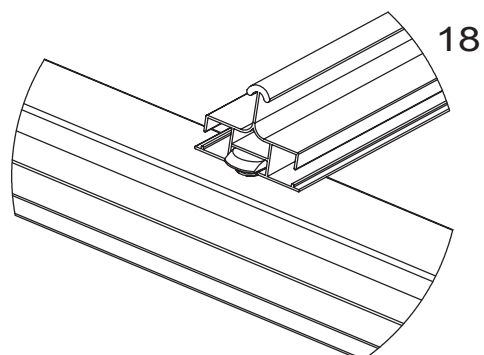
Aseta osat 31/51 paikoilleen ennen osaa nro 18:a

Osa nro 18 asetetaan paikoilleen nuolen osoittaman suunnan mukaisesti



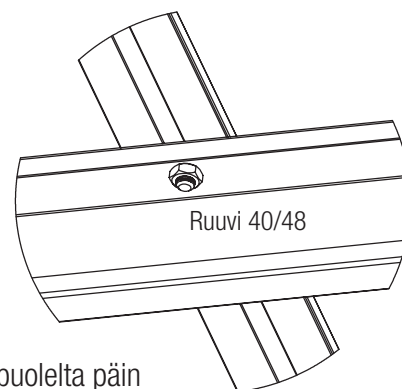
A

Katon poikittaispalkit nro 30/31/51



Osa nro 18 kiinnittyy katon poikittaissuuntaisiin kattopalkkeihin kiinnitettyjen ruuvien avulla.
Älä kiristä ruuveja vielä tässä vaiheessa.

A






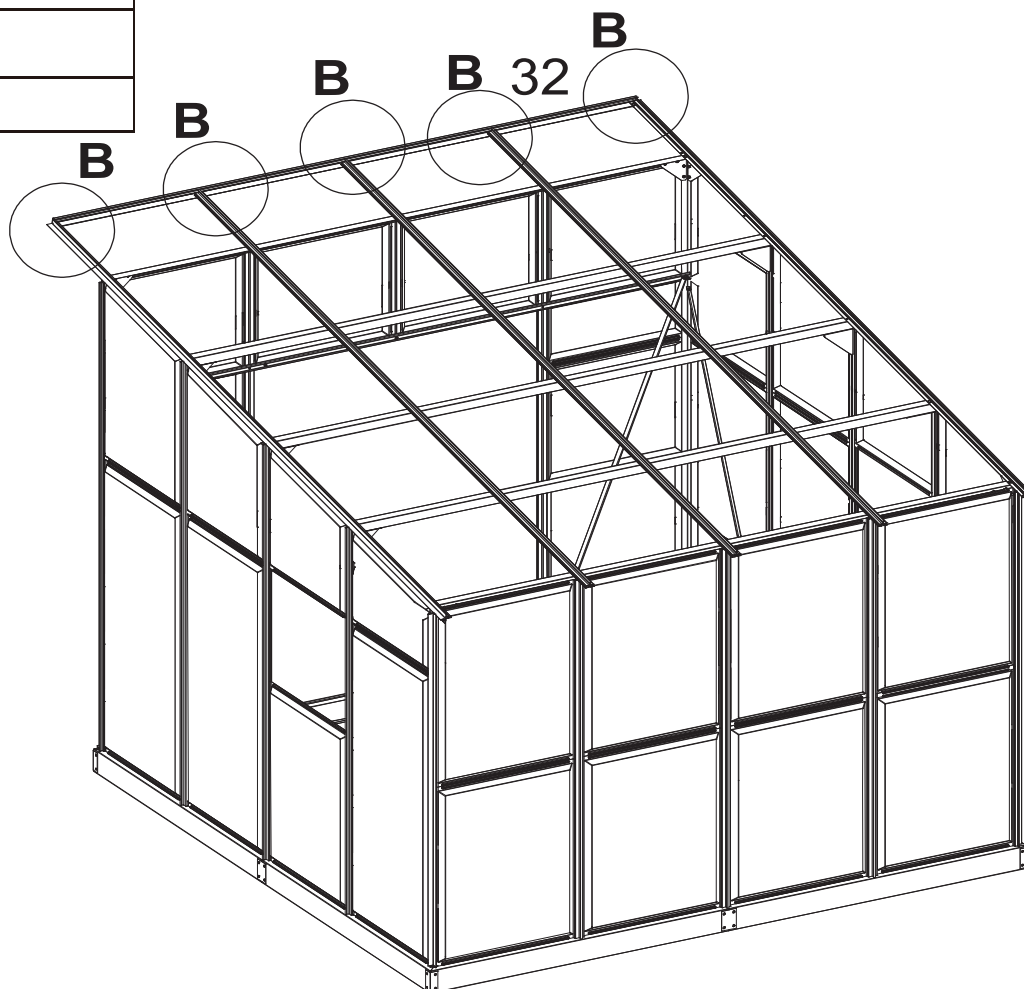
Kuva sisäpuolelta päin

CELLO

KATON KOKOAMINEN

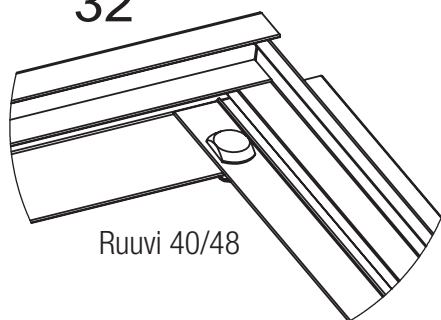


Osanro.	Lkm.	Kuva	Mitat (mm)
32	3KPL		2406
40	4KPL		
48	4KPL		



B

32




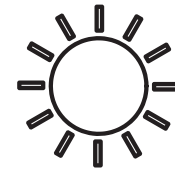
Ruuvi 40/48

Osa nro 32 kiinnitetään osa nro 2A/2B/18:aan

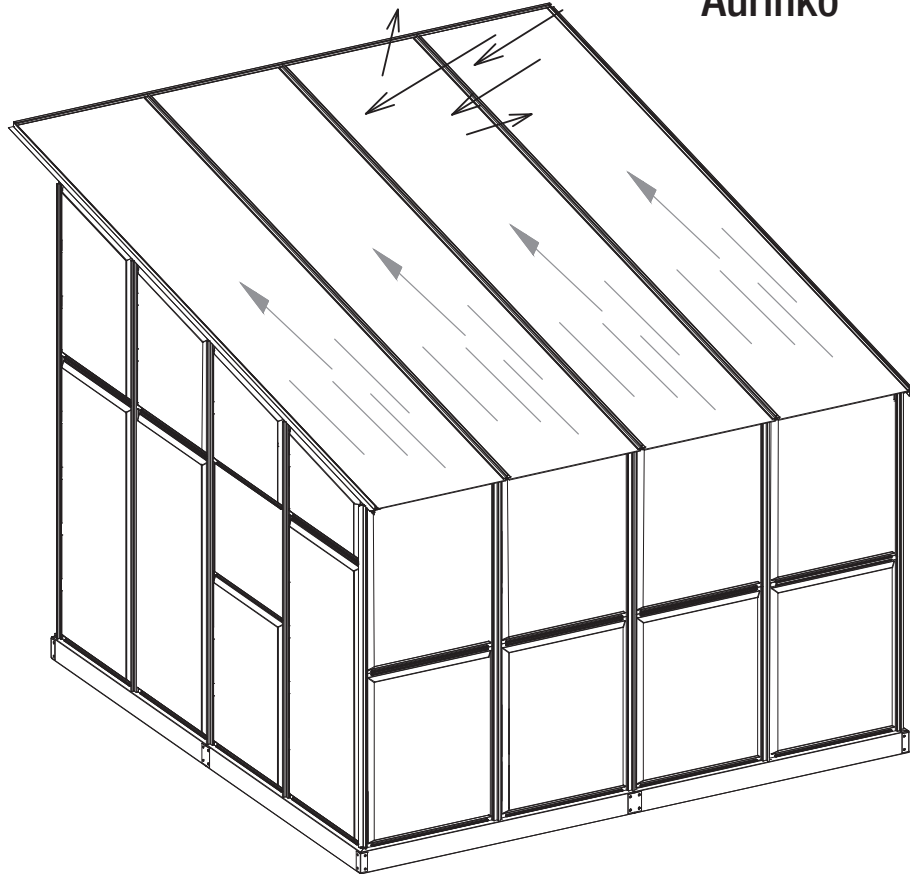
CELLO

PC-KATTOPANEELIT

Osanro.	Lkm.	Kuva	Mitat (mm)
P14	4KPL		2954x590



Aurinko



Aseta paneeli paikoilleen nuolen osoittaman suunnan mukaisesti

Irrota suojakalvo paneelin molemmilta puolilta



Valkoinen suojakalvo
4,0 mm kattopaneeleissa
osoittaa paneelin
UV-suojatun puolen.






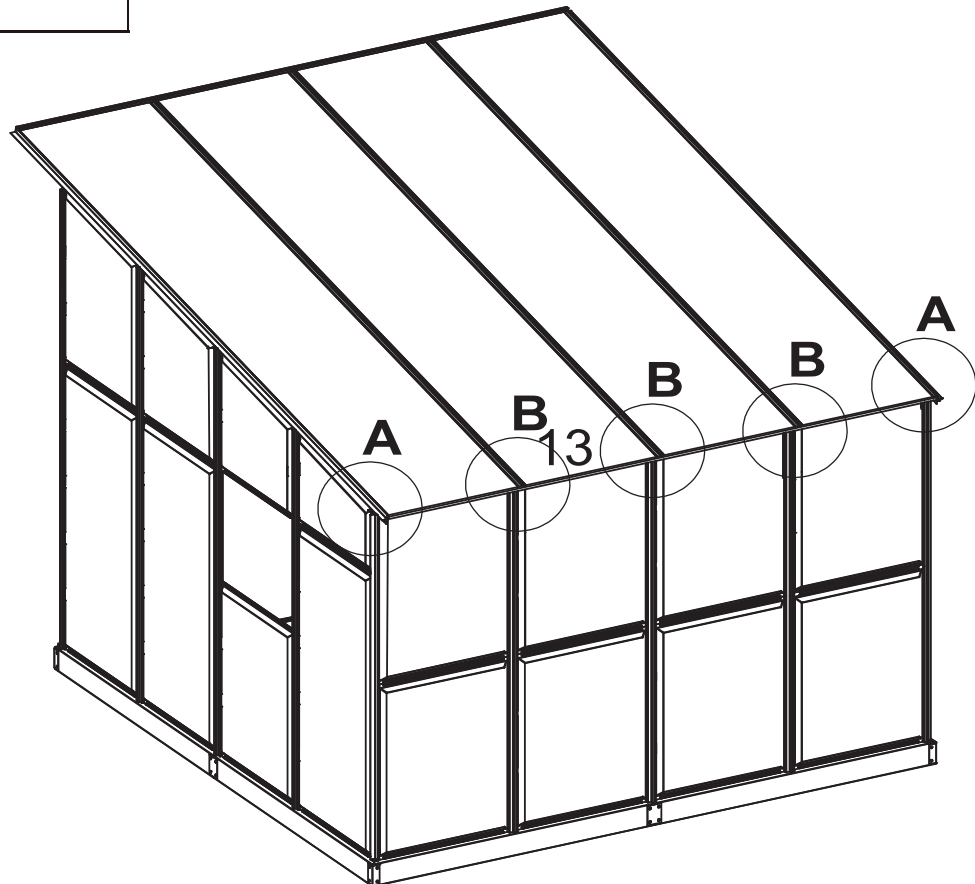
Läpinäkyvä suojakalvo 4,0 mm
kattopaneeleissa osoittaa paneelin
UV-suojaamattoman puolen.

CELLO

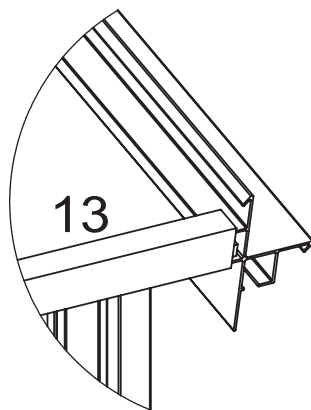
KATON KOKOAMINEN



Osanro.	Lkm.	Kuva	Mitat (mm)
13	1KPL		2400
40	4KPL		
48	4KPL		

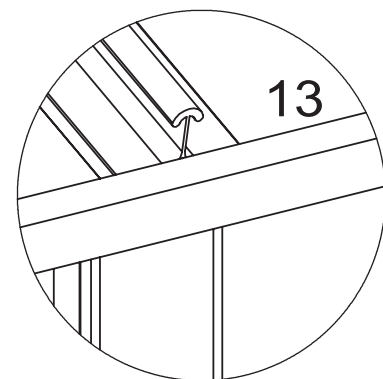


A



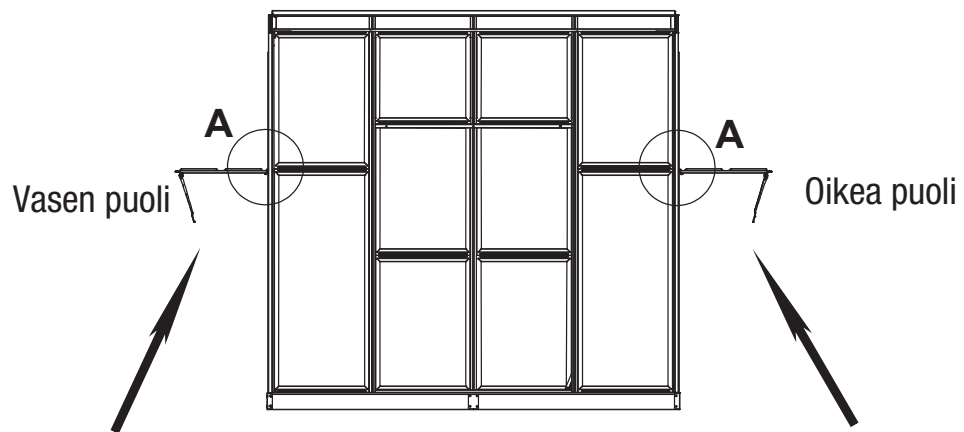
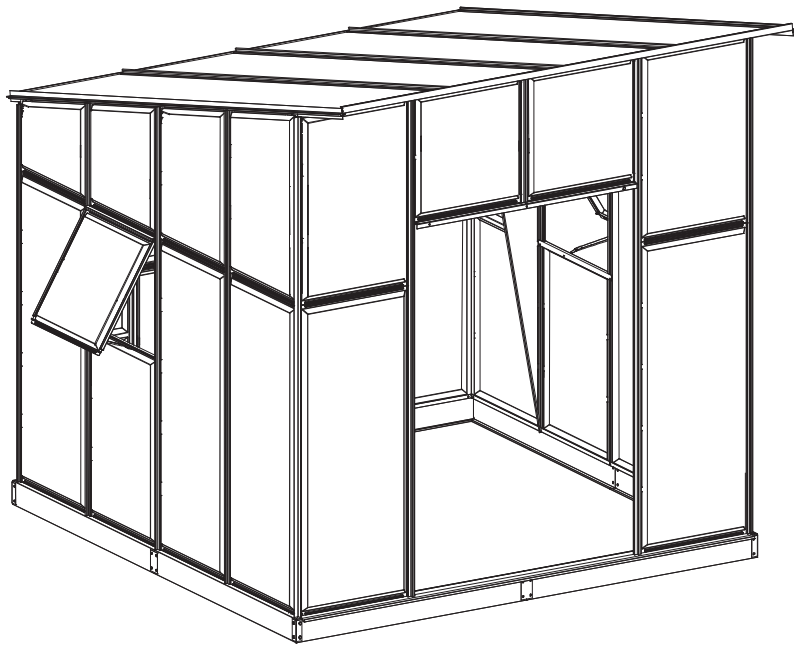
Kiinnitä osa nro 13 ruuveilla

B



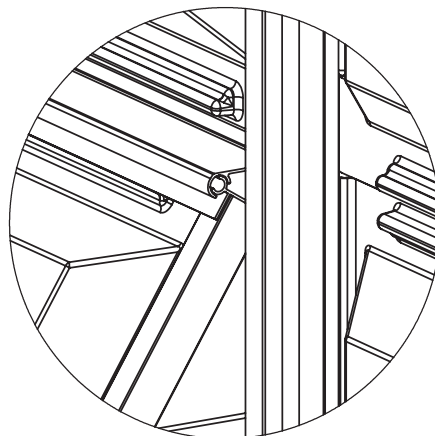
Kiinnitä osa nro 13 ruuveilla

CELLO




Aseta tuuletusluukut oikealle ja vasemmalle puolelle

A

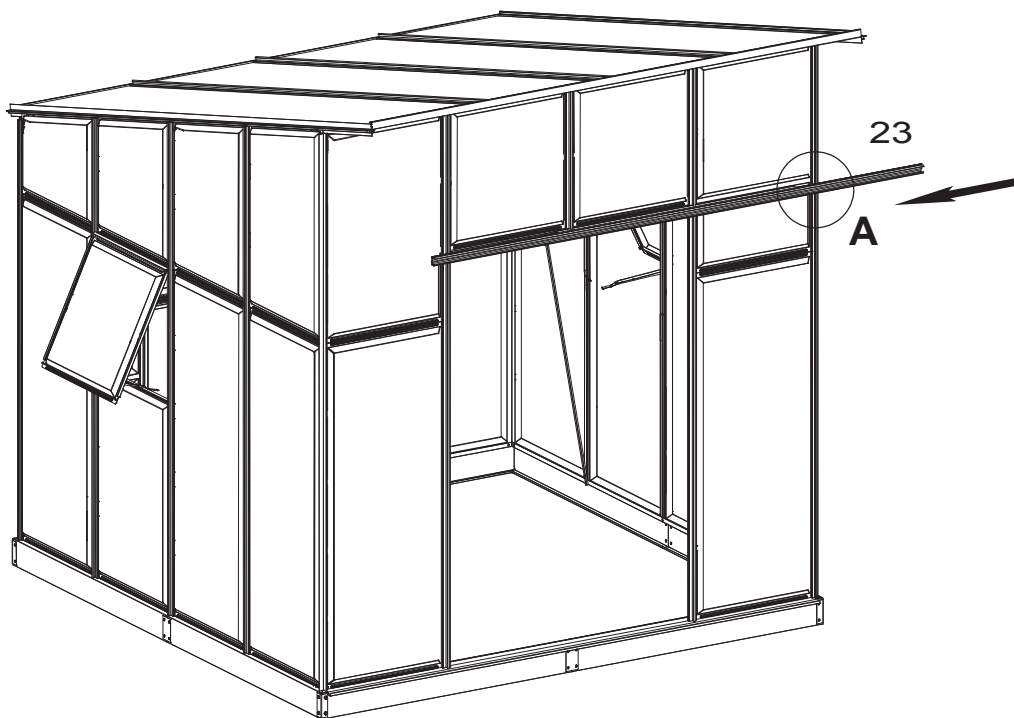


CELLO

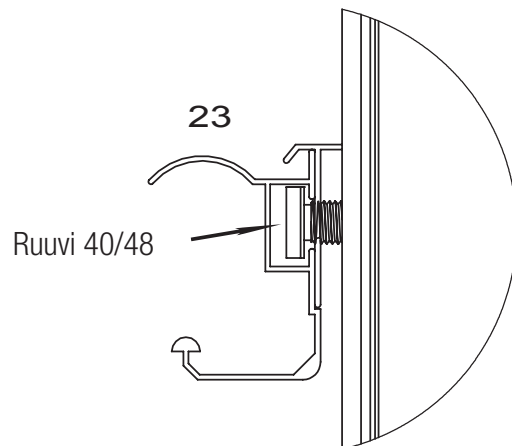
LIUKUOVEN YLÄKISKON KIINNITTÄMINEN

Osanro.	Lkm.	Kuva	Mitat (mm)
23	1KPL		2406

Aseta osa nro 23 nuolen osoittaman suunnan mukaisesti

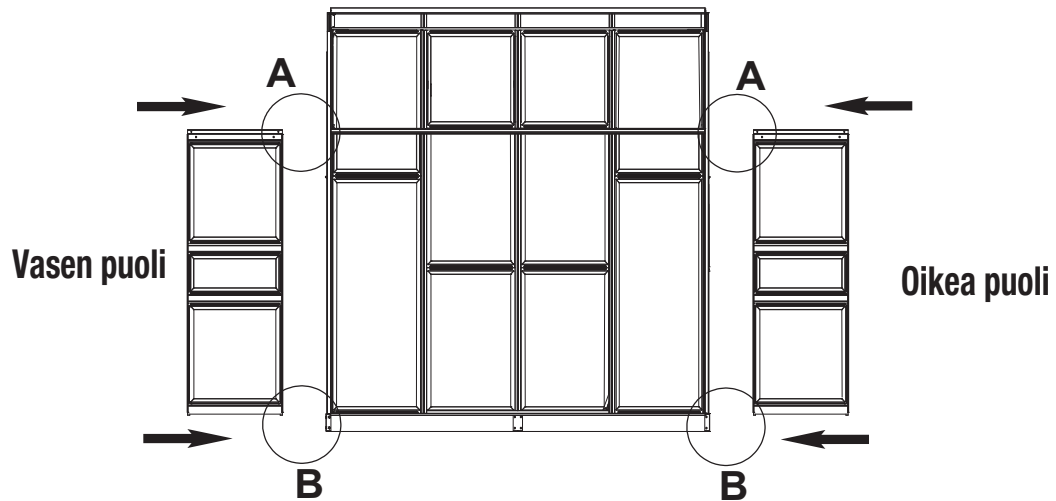
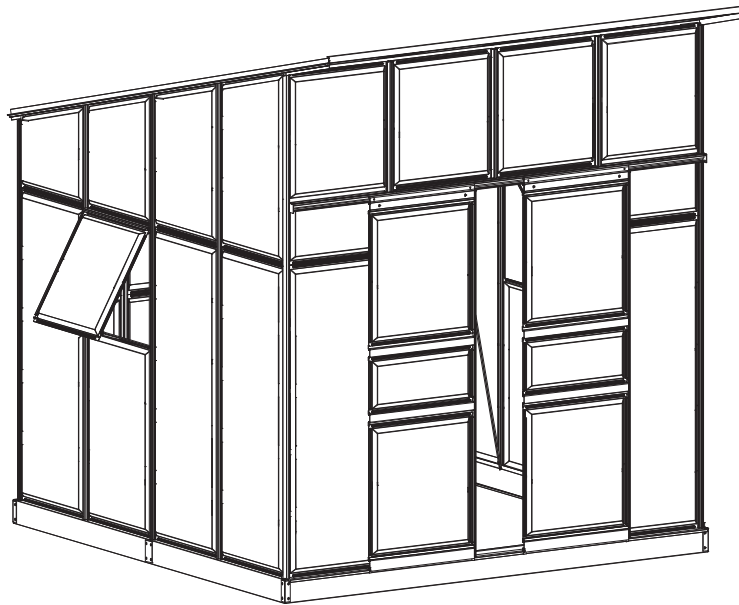


A



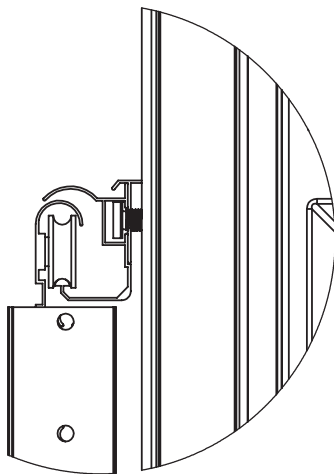
Osan 23 asennus sivusuunnasta nähtynä

CELLO

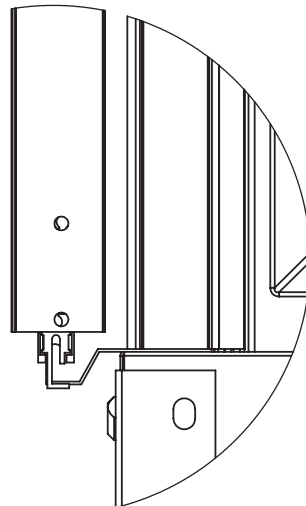


Aseta liukuovi paikoilleen nuolen osoittaman suunnan mukaisesti

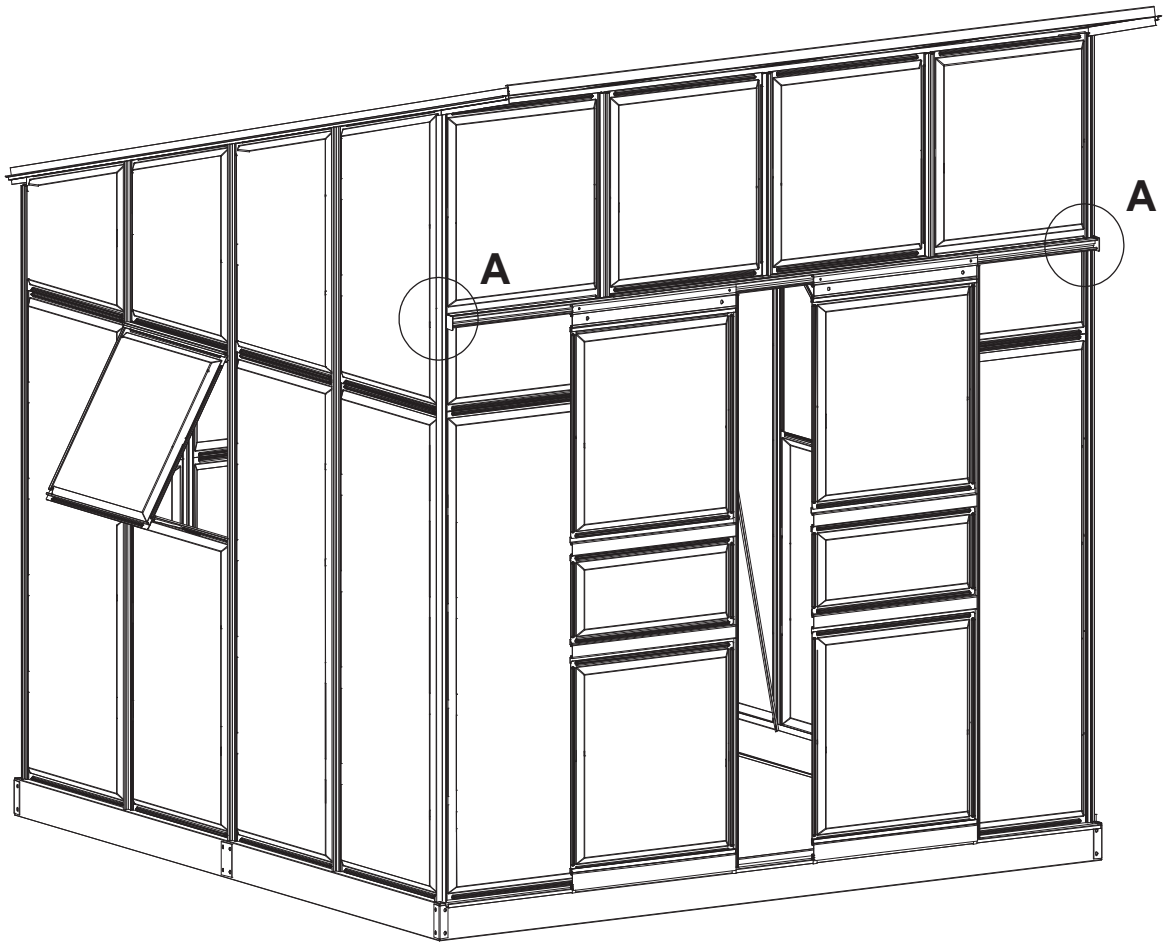
A



B

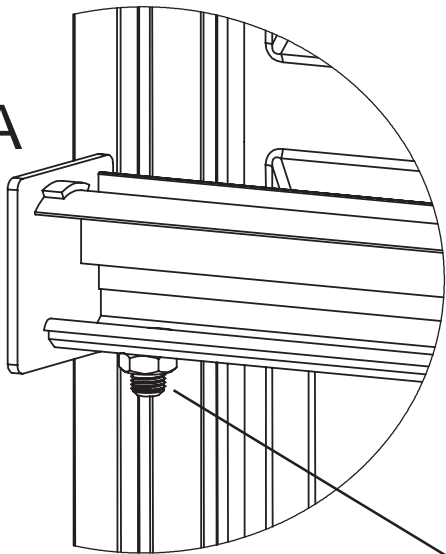


CELLO

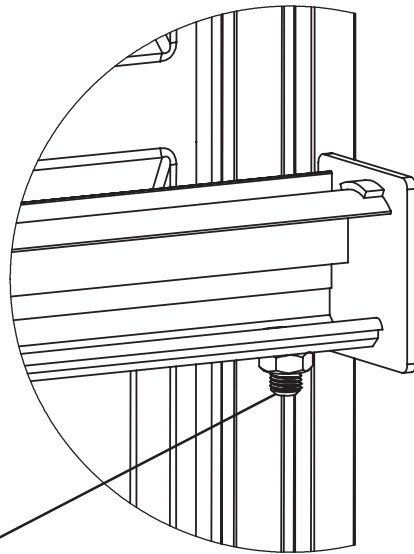


A

45A



45B



Kumpikin puoli tarvitsee yhden ruuvin 40/48, se estää oven liukumisen pois kiskosta.

CELLO

SE

Allmänna anvisningar

1. Du måste läsa dessa anvisningar noggrant innan du börjar montera växthuset.
2. Monteringen består av flera delar, vissa monteringssteg kräver två personer och det tar 2-3 dagar att montera.
3. Välj en solig, plan plats utan överhängande träd.
4. För att påbörja monteringen ordnar du delarna i nummerordning bredvid monteringsplatsen.
5. Förvara små delar (skruvar, mm.) i lådorna och påsarna så att de inte försvinner.
6. Verktyg som du kan behöva är elektrisk skruvdragare, måttband eller tumstock, kryssmejsel, 10 mm hylsa för skruvdragaren eller för spärrskaft, 10 mm fast nyckel eller skiftnyckel.
7. Samtliga delar är numrerade och motsvarande nummer finns i monteringsinstruktionerna.
8. Dra endast åt skruvarna så hårt som möjligt när du är säker på att monteringssteget är korrekt utfört.
9. Genomskinliga konkava och konvexa PC-paneler används för väggar och något ihåliga 4 mm PC-paneler används för tak.
10. Ta bort skyddsfilmerna på båda sidor av polykarbonatpanelerna för väggar och tak innan du monterar dem på plats.
11. För vägghpaneler ska konvex med UV-skydd vara vänd mot solen. För takpaneler ska vit skyddsfilm på 4,0 mm takpaneler som indikerar den UV-skyddade sidan av panelen riktas mot solen. Tips! När du har tagit bort takpanelens skyddplast kan du använda en märkpenna för att göra en liten markering på den UV-skyddade sidan, så att den UV-skyddade sidan inte förväxlas när takpanelen monteras på plats.



Vägghpanelernas gröna skyddsfilm på 0,7 mm visar den UV-skyddade sidan av panelen.



Vägghpanelernas genomskinliga skyddsfilm på 0,7 mm visar den UV-oskyddade sidan av panelen.



Takpanelernas vita skyddsfilm på 4,0 mm visar den UV-skyddade sidan av panelen.



Takpanelernas genomskinliga skyddsfilm på 4,0 mm visar den UV-oskyddade sidan av panelen.

12. Hantera vägg- och takpanelerna i polykarbonat med särskild försiktighet så att de inte repas under monteringen.

CELLO

Säkerhetsinstruktioner

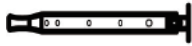





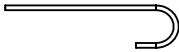
1. Vi rekommenderar användning av handskar och skyddsglasögon under monteringen.
2. Håll barn borta från monteringsområdet.
3. Montera inte växthuset i blåsiga eller våta förhållanden.
4. Om du använder trappstege eller elverktyg ska du försäkra dig om att du följer tillverkarens säkerhetsanvisningar.
5. Vid montering av delar ovanför dig ska du skydda dig mot eventuellt fallande delar.
6. Säkerställ att växthuset är väl förankrat i marken. Om förankringen är dålig kan det hända att stark vind skadar växthuset
7. Vid åskoväder rekommenderar vi starkt att man inte vistas i växthuset, eftersom aluminiumlegeringens stomme är elektriskt ledande.

Underhållsinstruktioner

1. Om marken inte är jämn kan växthuset ram skadas. Se till att växthuset alltid står rakt.
2. Undvik att överbelasta ramen. Om det har snöat ska du avlägsna snön i tid, du kan även använda tråskivor för att skydda polykarbonatskivorna och stöttor inne i växthuset för att säkra taket.
3. Låt inte klätterväxter med frukt och grönsaker växa uppåt i växthuset, då det kan skada konstruktionen som kan gå sönder i blåsigt och regnigt väder. Om anslutningsstycket börjar bli rostigt bör skruvar och anslutningar bytas i tid.
4. Håll polykarbonatskivorna borta från eld för att undvika att de mjuknar och deformeras.
5. Håll PC-paneler rena. I allmänhet ska man byta ut PC-skivorna vart 3:e år så att inte ljusgenomsläppet påverkas.
6. Vid en storm ska du se till att växthuset står stadigt på marken och att takluckan och dörren är stängda. Vid behov ska du säkra växthuset till närliggande träd med ett starkt rep eller en stark tråd.
7. Kontrollera ramskruvarnas åtdragning minst en gång per år
8. Takpanelerna kan tas bort under vintern om taket kommer att utsättas för stora snömängder. Man kan även använda stöttor för att säkra taket.

Art.Nr.	Bild	Ant.	Mått (mm)	Art.Nr.	Bild	Ant.	Mått (mm)	
1A		1	2217	23		1	2406	
1B		1	2217	24		2	610	
2A		1	2954	25		28		
2B		1	2954	26		4		
3		2	1670	27		1	2408	
4		2	2230	28		2	1600	
5A		1	1957	28A		1	1600	
5B		1	1957	28B		1	1600	
6A			1	1829	29		6	1232
6B	1		1829	30		3	2406	
7	3		1695	31		1	2406	
8	1		568	32		1	2406	
9A	1		2098	33		1	2406	
9B	1		2098	34		2	1232	
10			2	1765	35		2	
11			6	1720	36		2	
12			2	2400	37		4	
13		1	2400	38		6		
14		1	1176	39		12	568	
15		4	520	40		174		
16		2	635	41		4		
17		2	638	42		4		
18		3	2935	43		2		
19		2	590	44		12		
20		4	610	45A		1		
21		2	610	45B		1		
22		2	608					

CELLO

Art.Nr.	Bild	Ant.	Mått (mm)		Art.Nr.	Bild	Ant.	Mått (mm)
46		2						
47		2	590					
48		174						
49		4						
50		4						
51		1						
52		12						

CELLO

PC-paneler
















Art.Nr.	Ant.	Bild	Mått (mm)	
P1	12ST.		845x590	genomskinlig 0,7 mm panel för väggarna
P2	8ST.		1367x590	genomskinlig 0,7 mm panel för väggarna
P3	2ST.		595x590	genomskinlig 0,7 mm panel för väggarna
P4	1ST.		450x590	genomskinlig 0,7 mm panel för väggarna
P5	1ST.		590x590	genomskinlig 0,7 mm panel för väggarna
P6	1ST.		720x585	genomskinlig 0,7 mm panel för väggarna
P7	1ST.		590x853	genomskinlig 0,7 mm panel för väggarna
P8	1ST.		450x590	genomskinlig 0,7 mm panel för väggarna
P9	1ST.		585x590	genomskinlig 0,7 mm panel för väggarna
P10	1ST.		720x590	genomskinlig 0,7 mm panel för väggarna
P11	1ST.		590x855	genomskinlig 0,7 mm panel för väggarna
P12	4ST.		597x597	genomskinlig 0,7 mm panel för väggarna
P13	2ST.		605x240	0,7 mm panel för väggarna
P14	4ST.		2954x590	4 mm panel för taket
P15	2ST.		590x540	genomskinlig 0,7 mm panel för väggarna



bild på genomskinlig
0,7 mm takpanel

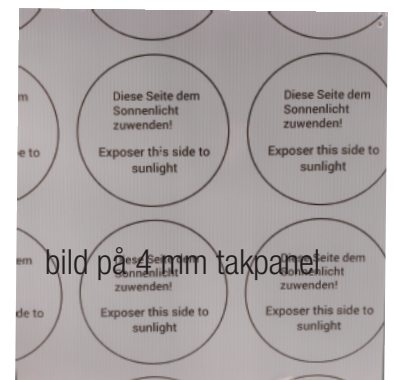
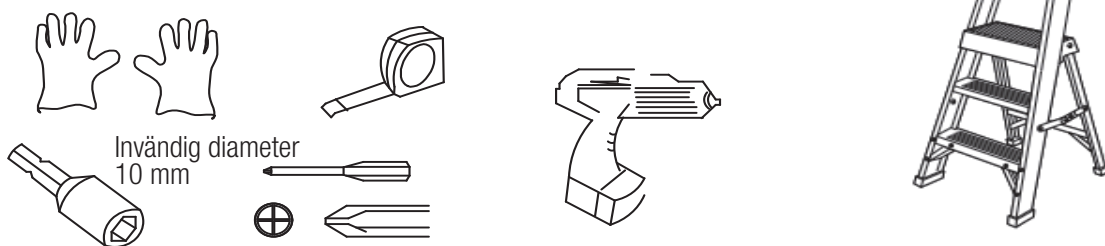


bild på 4 mm takpanel

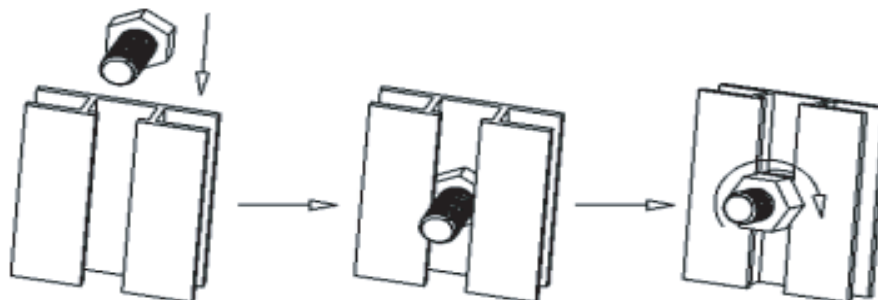
Vi rekommenderar att ha följande verktyg tillgängliga för monteringen



Invändig diameter
10 mm

(förpackningen innehåller en skiftnyckel för att vrida muttrarna)

Så här för du in skruvarna i spåren i aluminiumskenor

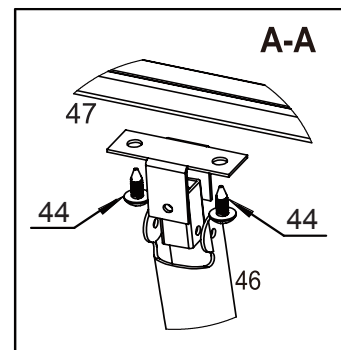
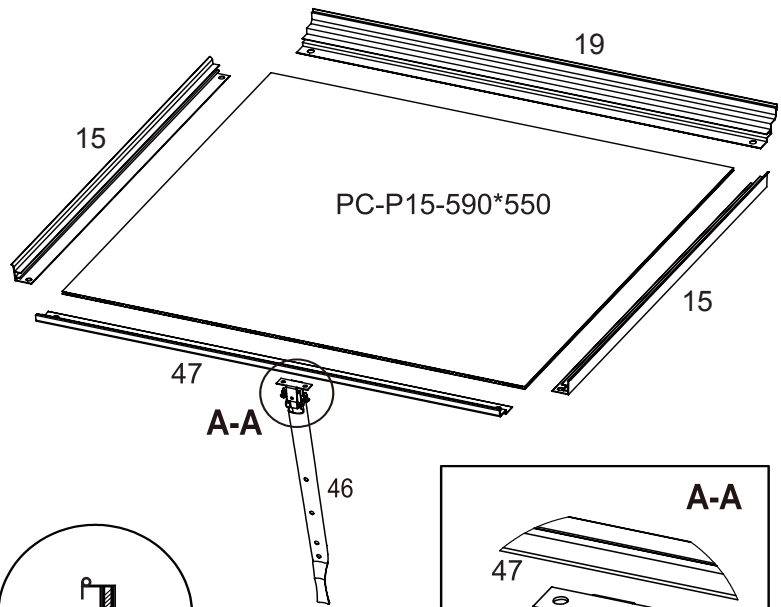


CELLO

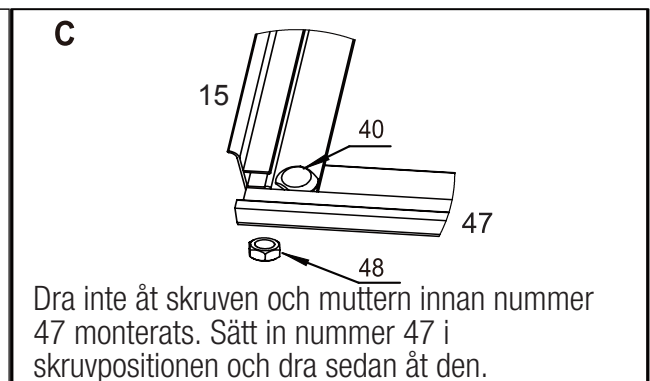
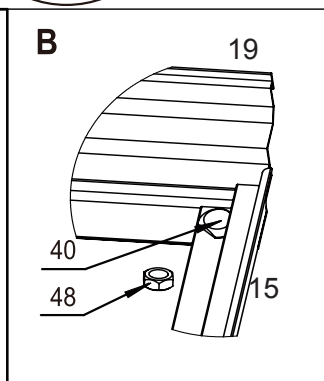
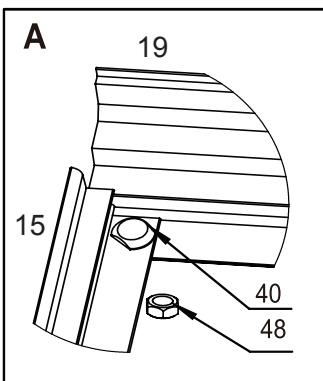
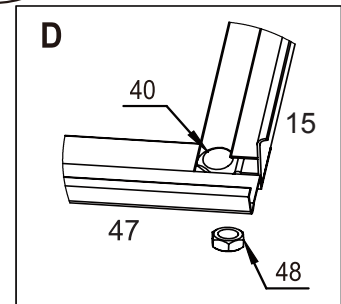
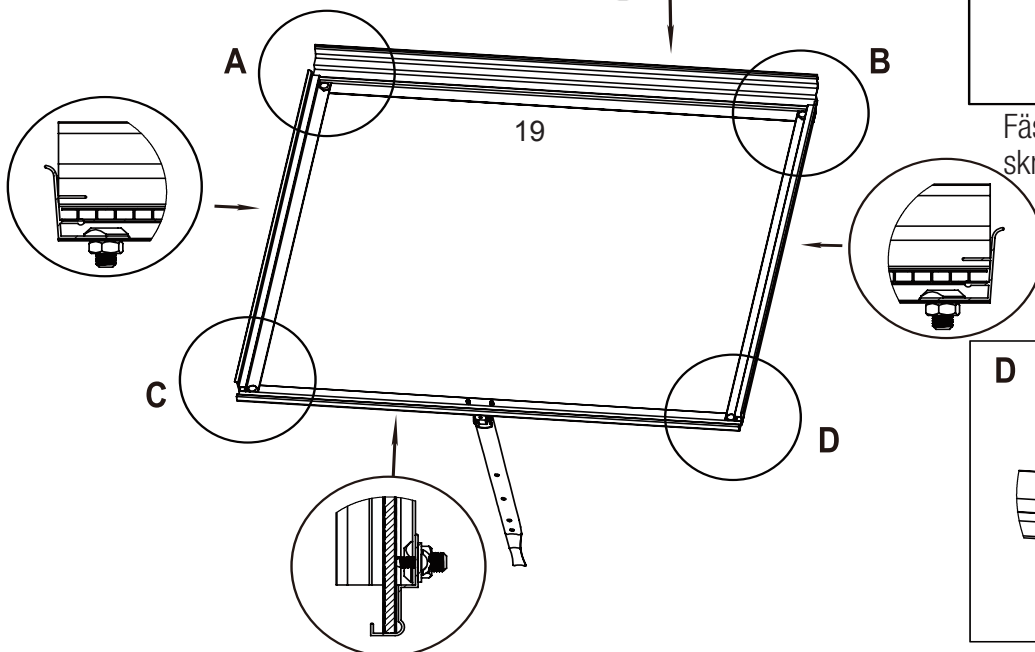
MONTERING AV VÄGGFÖNSTER

Lägg ut sprängskissen enligt nedanstående bild, sätt i 40 skruvar uppifrån och ner, montera först ihop nummer 15 och 19, montera sedan ihop panelen nummer 15, nästa steg är att fästa nummer 47

Art.Nr.	Ant.	Bild	Mått (mm)
15	4ST.		520
47	2ST.		590
19	2ST.		595
40	8ST.		
44	4ST.		
46	2ST.		
48	8ST.		
P15	2ST.		590x540



Fäst fästet på det avsedda skruvhålet



Dra inte åt skruven och muttern innan nummer 47 monterats. Sätt in nummer 47 i skruvpositionen och dra sedan åt den.

Sidan med grön skyddsfilm med UV-skydd ska vara vänd mot solen. Sidan med genomskinlig skyddsfilm utan UV-skydd ska vara vänd mot insidan av växthuset.

CELLO

MONTERA RAMEN FÖR SKJUTDÖRREN

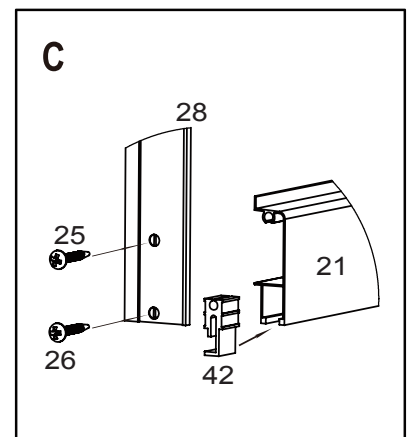
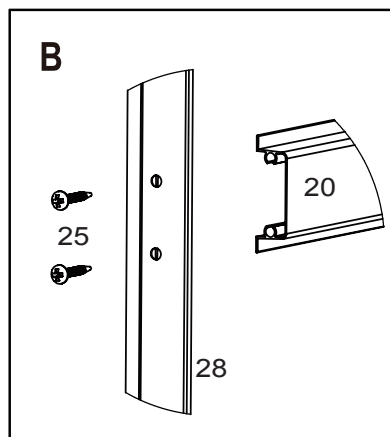
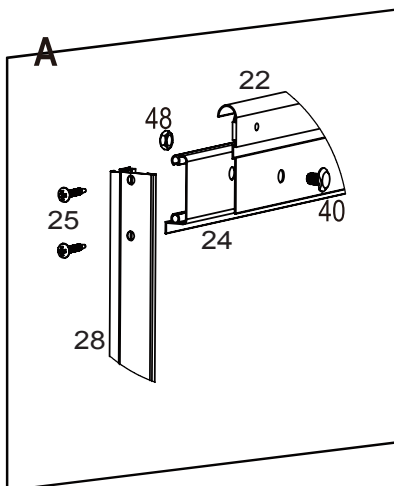
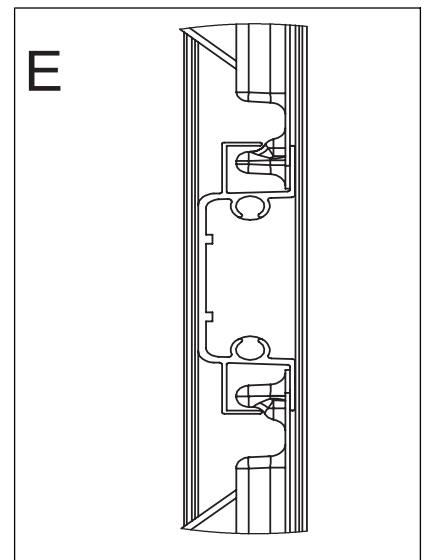
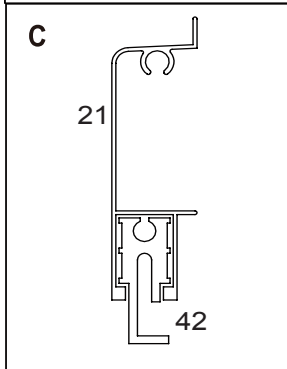
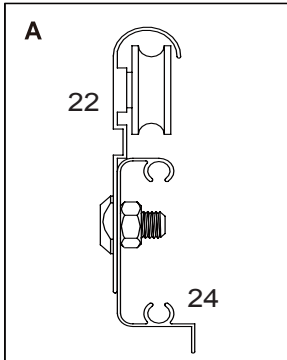
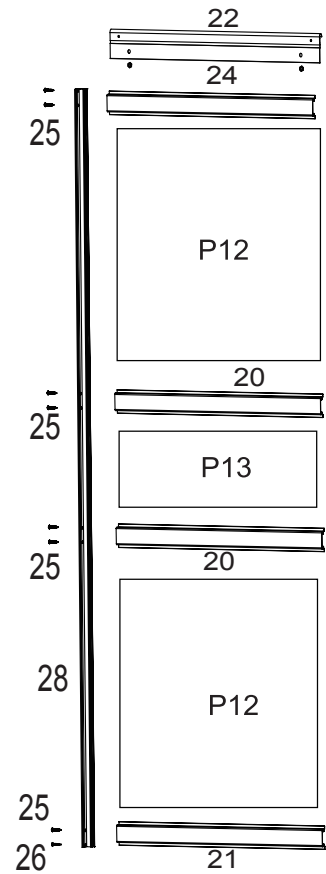
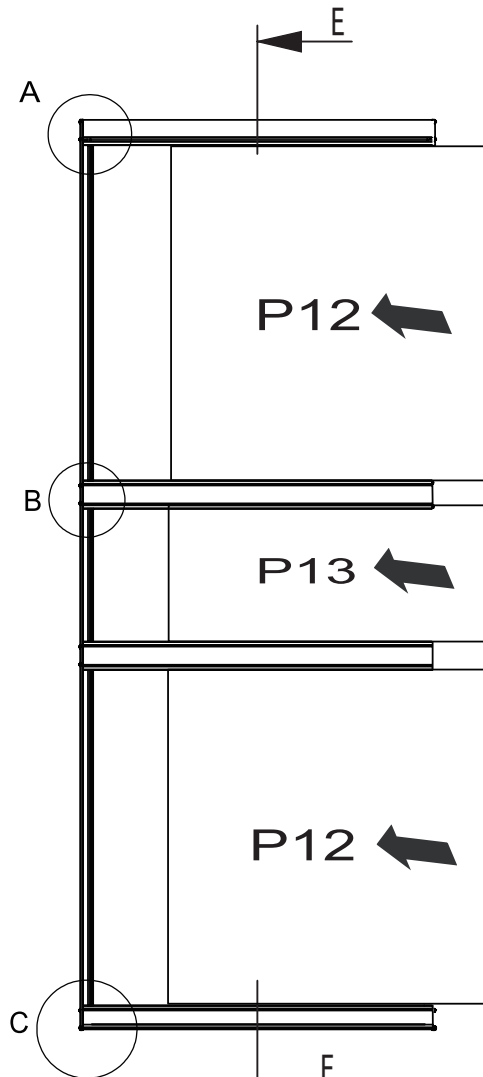
Art.Nr.	Ant.	Bild	Mått (mm)
20	1ST.		610
21	1ST.		610
22	1ST.		608
24	1ST.		610
28	1ST.		1600
25	7ST.		
26	1ST.		
40	2ST.		
42	2ST.		
48	2ST.		

PC-paneler

P12	2PC		597x597
P13	1PC		605x240

Vänster dörr

Installera tillbehören i ordningen A/B/C först och för sedan in 12/13 PC-skivan






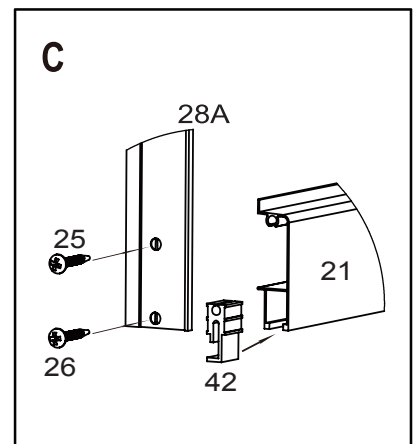
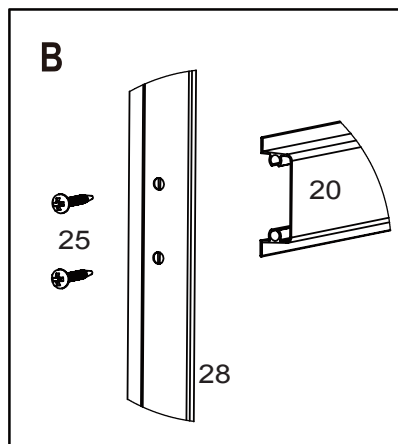
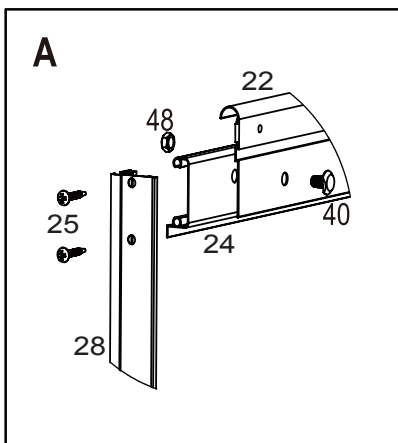
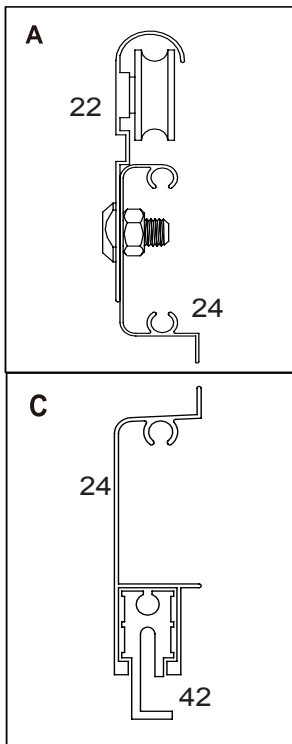
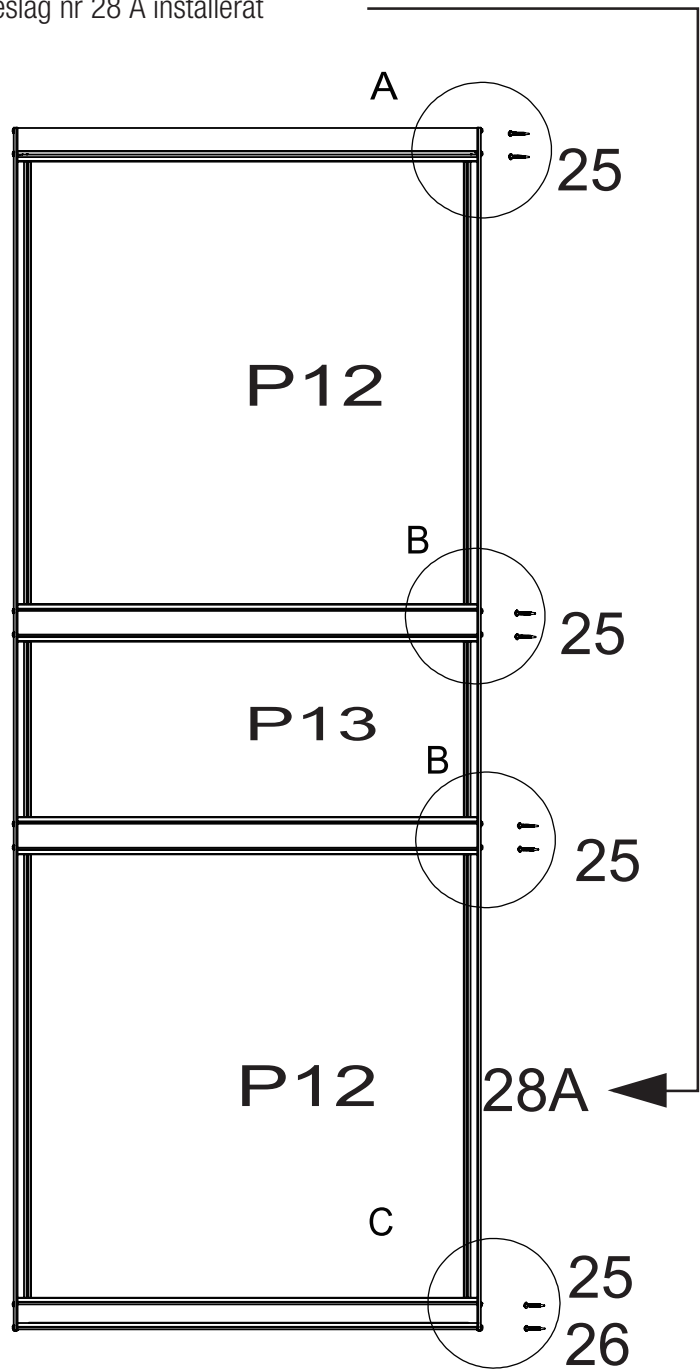
CELLO

Vänster dörr

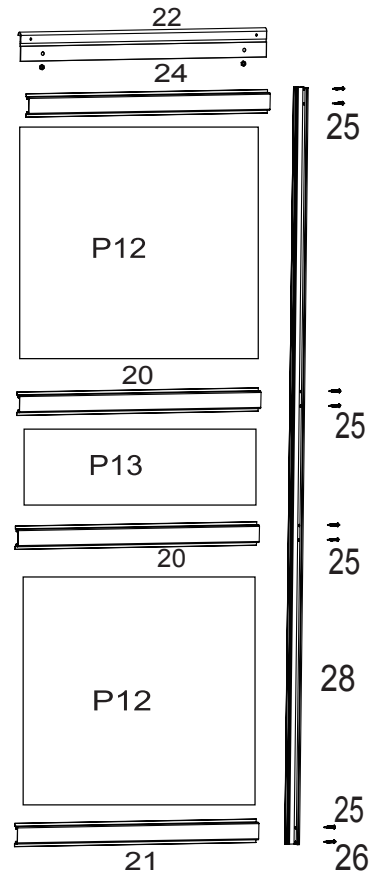
MONTERA RAMEN FÖR SKJUTDÖRREN

Beslag nr 28 A installerat

Art.Nr.	Ant.	Bild	Mått (mm)
25	7ST.		
26	1ST.		
28A	1ST.		1600

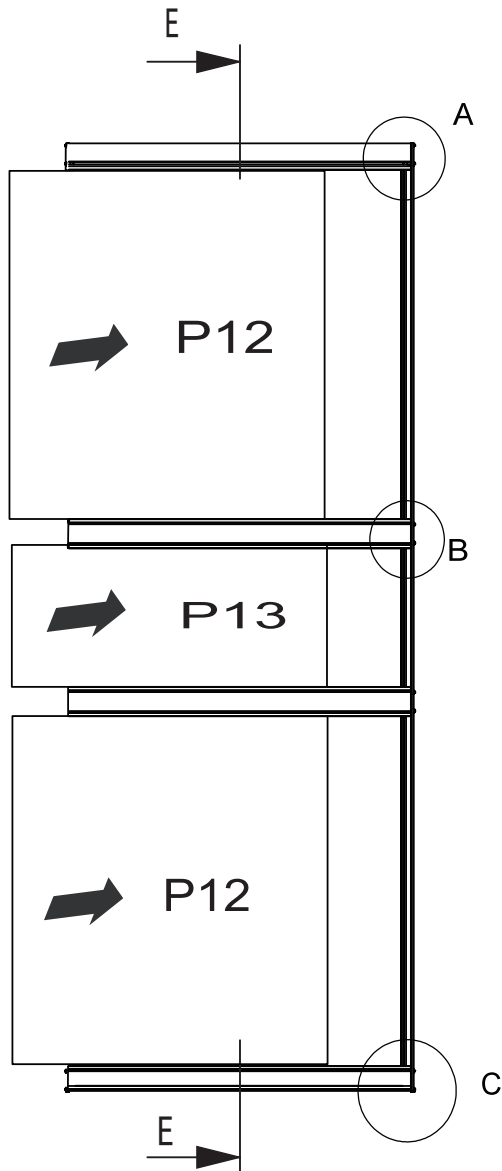


CELLO



Höger dörr

Installera tillbehören i ordningen A/B/C först och för sedan in 12/13 PC-skivan

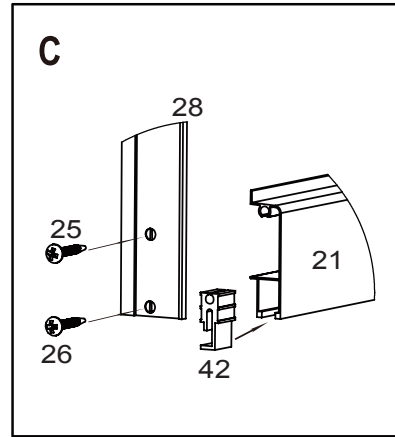
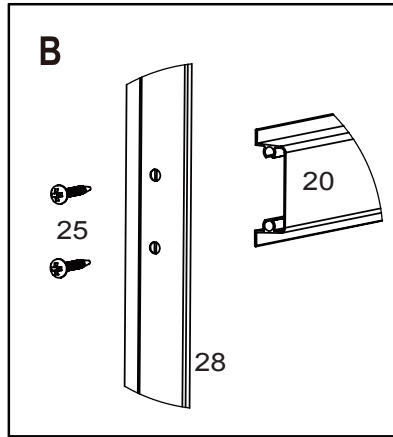
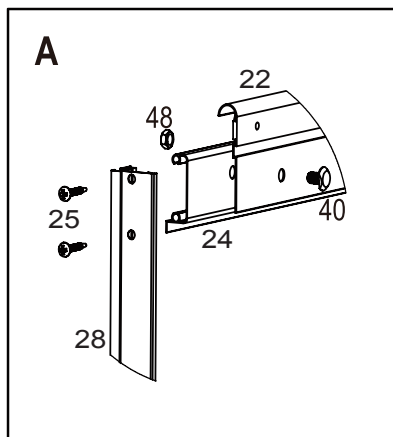
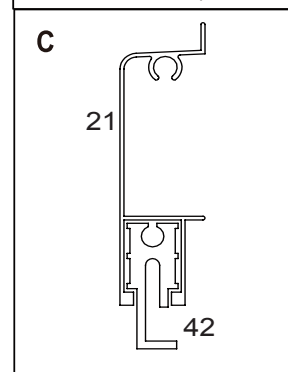
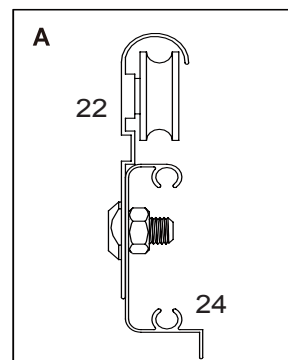
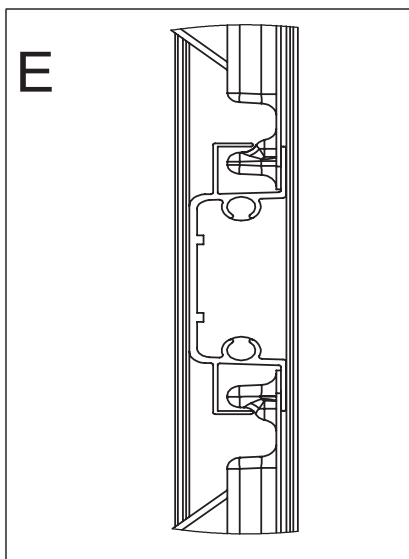


MONTERA RAMEN FÖR SKJUTDÖRREN

Art.Nr.	Ant.	Bild	Mått (mm)
20	1ST.		610
21	1ST.		610
22	1ST.		608
24	1ST.		610
28	1ST.		1600
25	7ST.		
26	1ST.		
40	2ST.		
42	2ST.		
48	2ST.		

PC-paneler

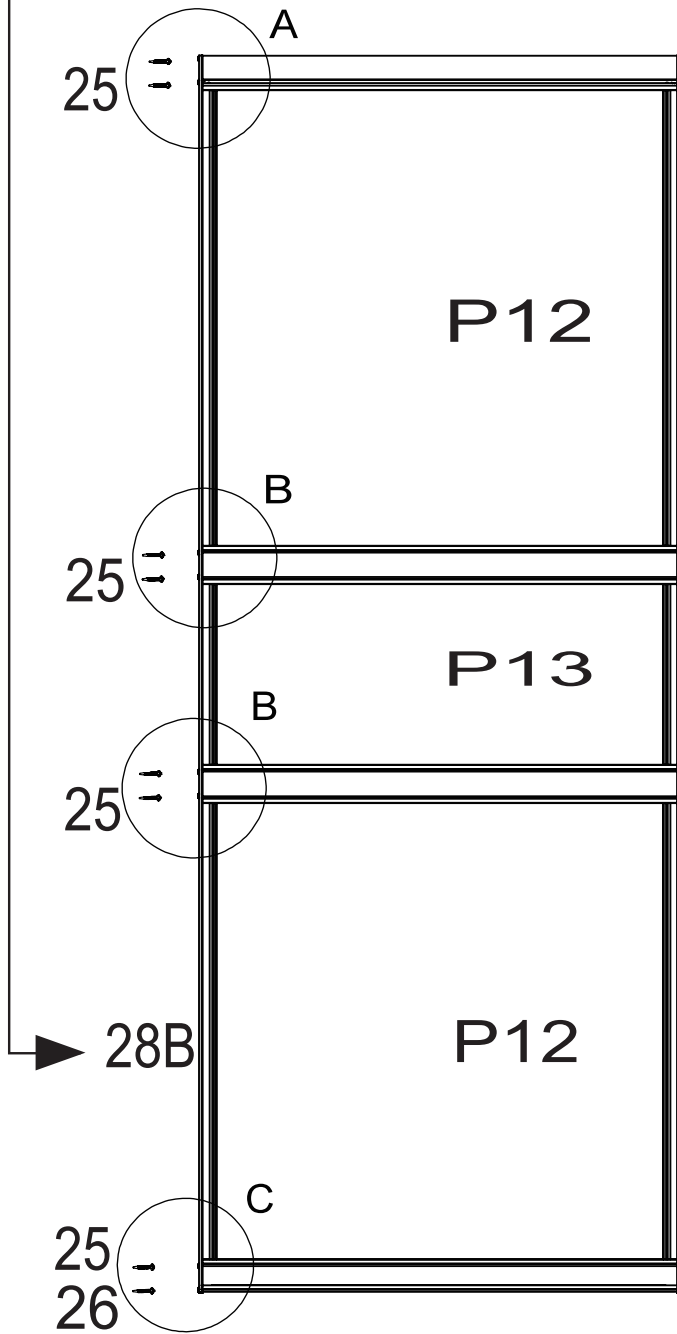
P12	2ST.		597x597
P13	1ST.		605x240



CELLO

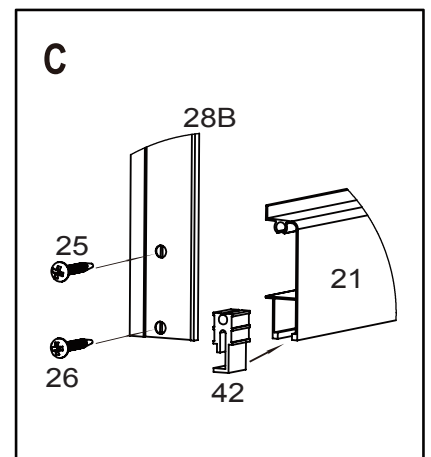
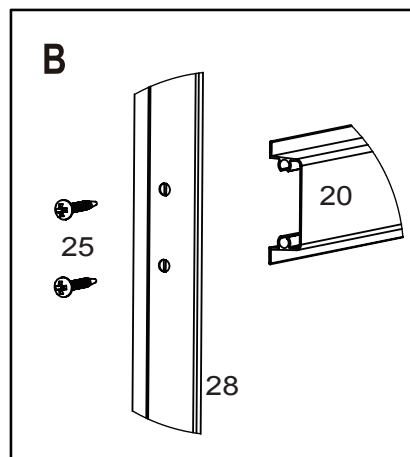
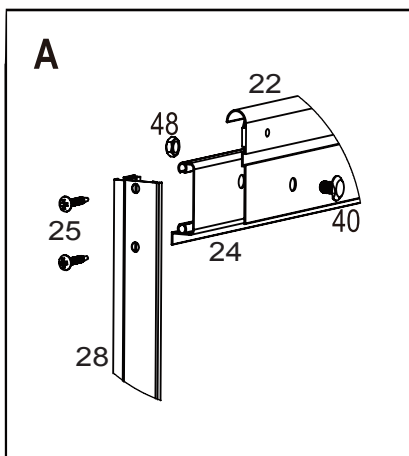
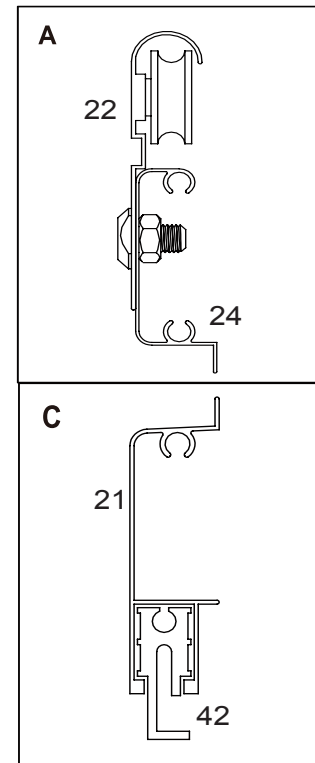
Höger dörr

Beslag nr. 28 B installerat








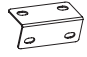

MONTERA RAMEN FÖR SKJUTDÖRREN

Art.Nr.	Ant.	Bild	Mått (mm)
25	7ST.		
26	1ST.		
28B	1ST.		1600



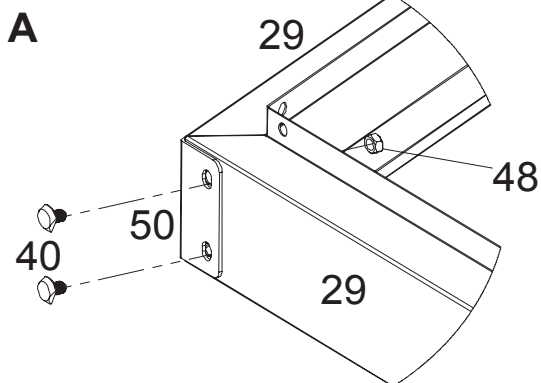
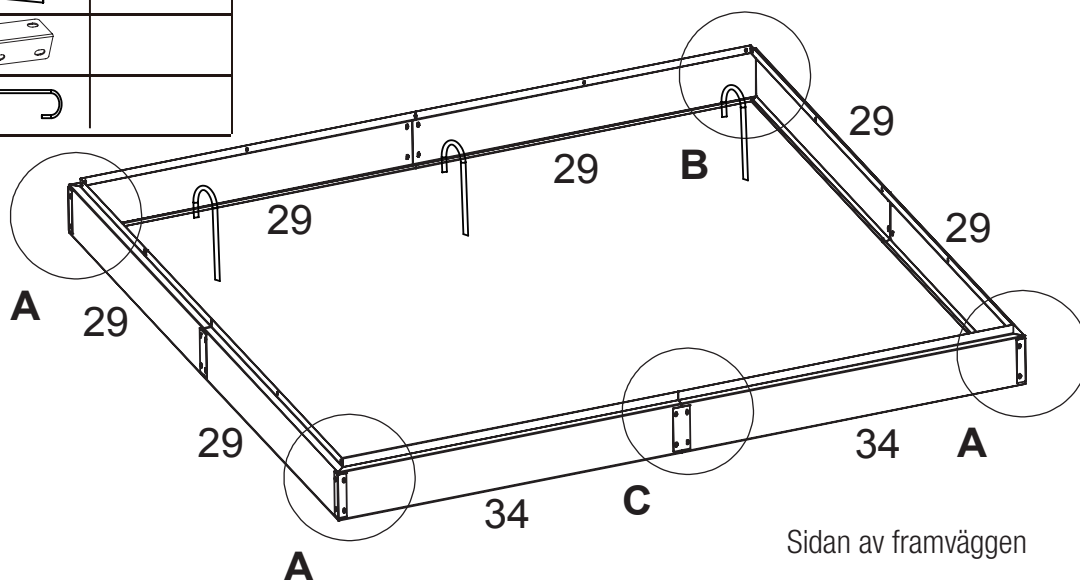
CELLO

MONTERING AV GRUNDEN

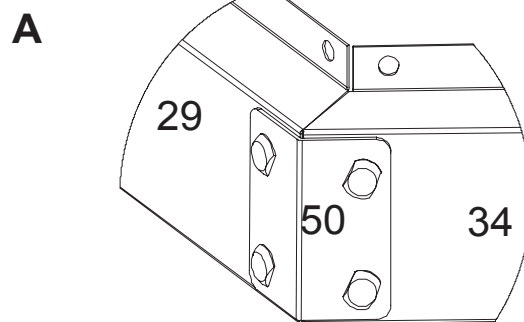
Art.Nr.	Ant.	Bild	Mått (mm)
29	6ST.		1232
34	2ST.		1232
40	32ST.		
48	32ST.		
49	4ST.		
50	4ST.		
52	12ST.		

Basfäste

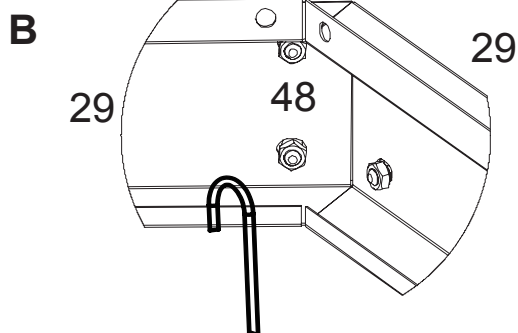
Beslag 29/34 ansluts till beslag 49/50, som sedan fästs från utsidan med skruv nr 40 och dras åt med mutter nr 48.



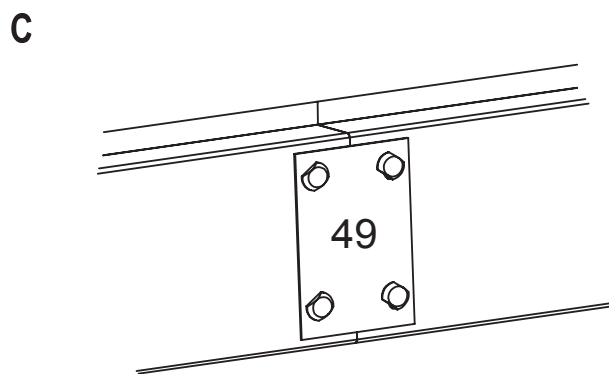
Sektion A är utsidan. Observera monteringsriktningarna för 40 och 48



Del A är utsidan och du ska vara uppmärksam på monteringsriktningen på nummer 34






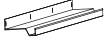


Sektion B är insidan och du ska observera monteringsriktningen för 40



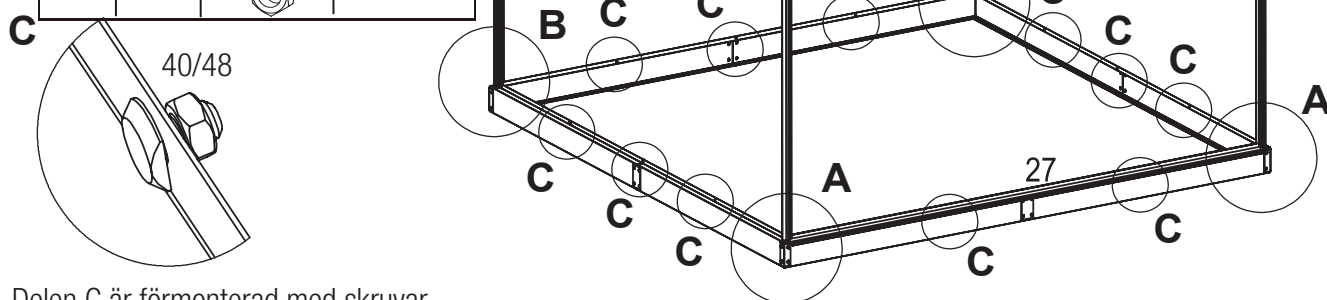
Del C är utsidan och du ska vara uppmärksam på monteringsriktningen på nummer 49

CELLO

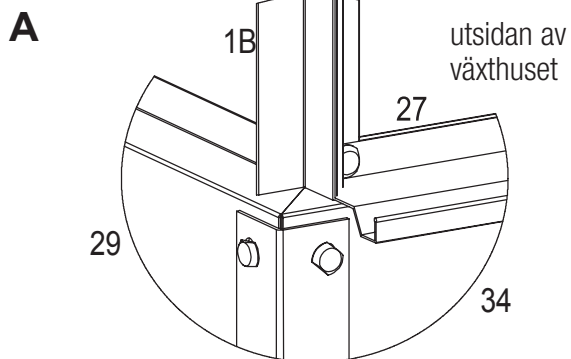
MONTERA RAMEN FÖR VÄGGARNA

Art.Nr.	Ant.	Bild	Mått (mm)
3	2ST.		1670
1A	1ST.		2217
1B	1ST.		2217
27	1ST.		2408
40	19ST.		
48	19ST.		

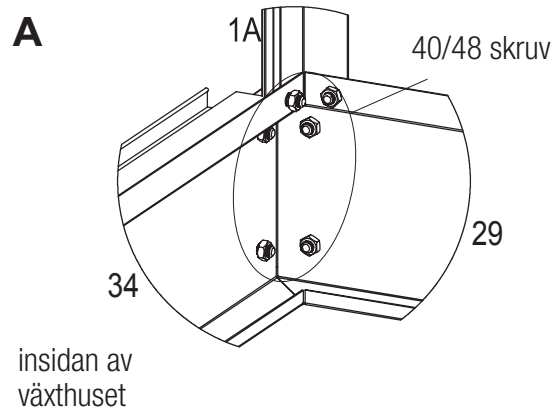
Två personer behövs för denna monteringsfas!



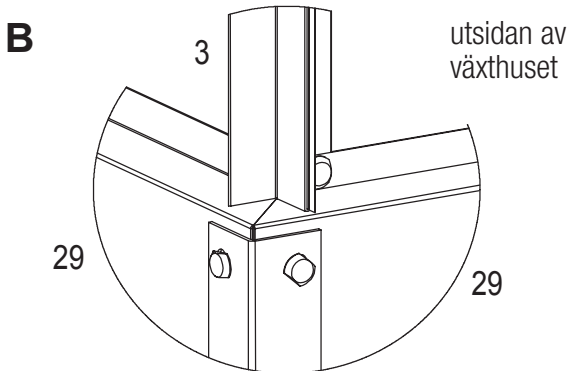
Delen C är förmonterad med skruvar



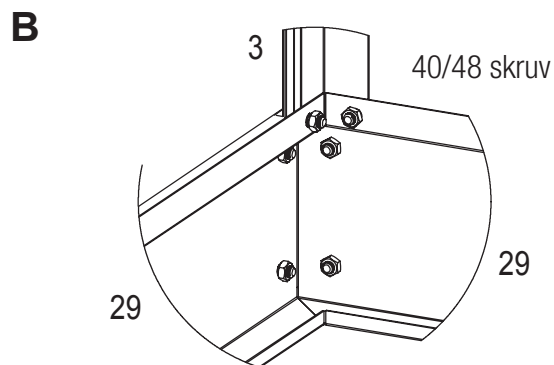
Beslag 1/27 skruvas fast på basen



insidan av växthuset



Beslag nr 3 fästs på basen



insidan av växthuset

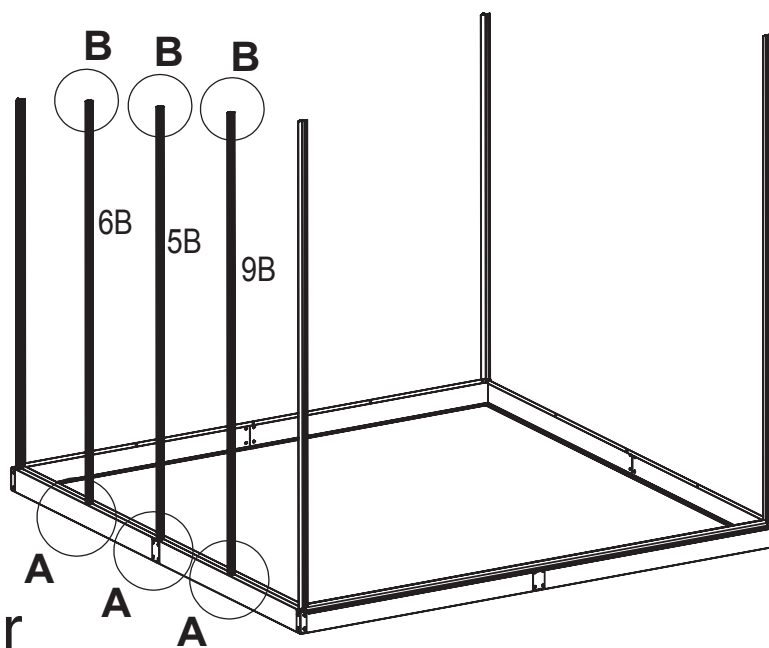
CELLO

MONTERA RAMEN FÖR VÄGGARNA



Art.Nr.	Ant.	Bild	Mått (mm)
5B	1ST.		1957
6B	1ST.		1829
9B	1ST.		2098
40	6ST.		
48	6ST.		

Två personer behövs för denna monteringsfas!



Vänster

<p>A</p> <p>6B 5B 9B utsidan av växthuset</p> <p>29</p> <p>5B/6B/9B är fastsatta på basen</p>	<p>A</p> <p>6B 5B 9B</p> <p>40/48 skruv</p> <p>29</p> <p>insidan av växthuset</p>
<p>B</p> <p>40/48</p> <p>5B/6B förinstallerade 2 skruvar</p> <p>Delen B är förmonterad med skruvar</p>	

CELLO

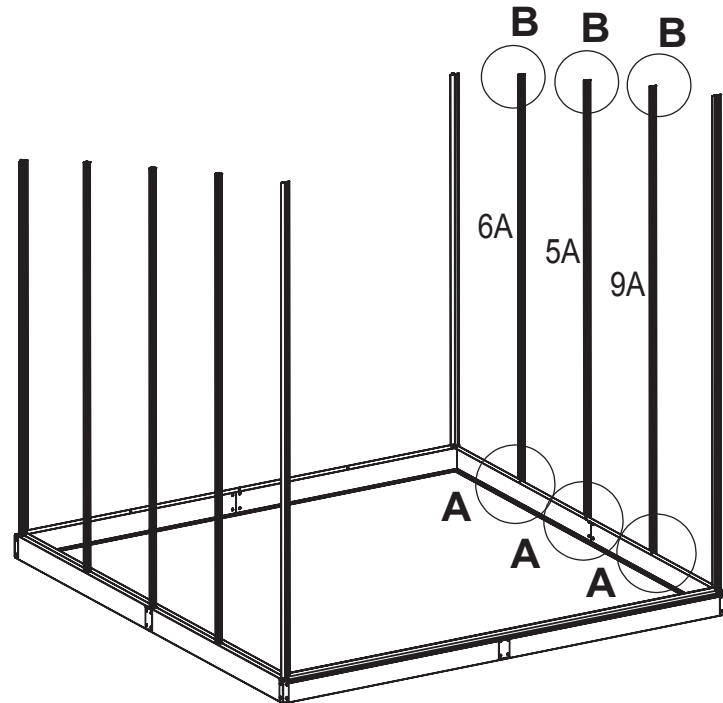
MONTERA RAMEN FÖR VÄGGARNA



Art.Nr.	Ant.	Bild	Mått (mm)
5A	1ST.		1957
6A	1ST.		1829
9A	1ST.		2098
40	6ST.		
48	6ST.		

Två personer behövs för denna monteringsfas!

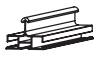
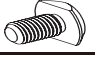

Höger



<p>A</p> <p>6A 5A 9A utsidan av växthuset</p> <p>29</p> <p>5B/6b/9b är fastsatta på basen</p>	<p>A</p> <p>6A 5A 9A</p> <p>40/48 skruv</p> <p>29</p> <p>insidan av växthuset</p>
<p>B</p> <p>40/48</p> <p>5A/6A förinstallerade 2 skruvar</p> <p>Delen B är förmonterad med skruvar</p>	

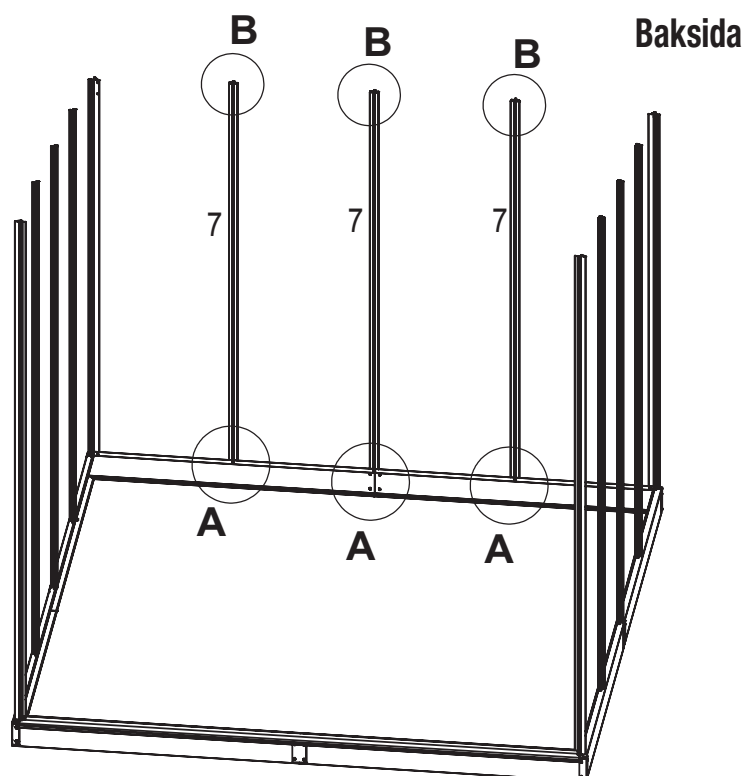
CELLO

MONTERA RAMEN FÖR VÄGGARNA

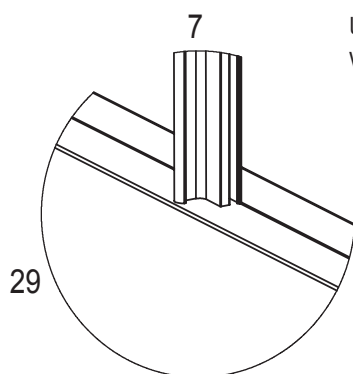
Art.Nr.	Ant.	Bild	Mått (mm)
7	1ST.		1695
40	6ST.		
48	6ST.		



Två personer behövs för denna monteringsfas!



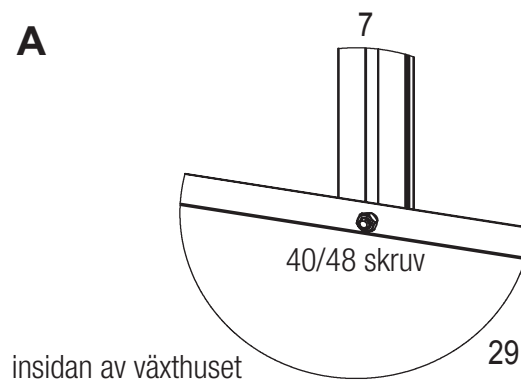
A



utsidan av växthuset

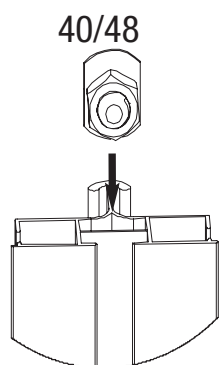
Beslag nr 7 fästs på basen

A



insidan av växthuset

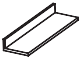



B



Delen B är förmonterad med skruvar

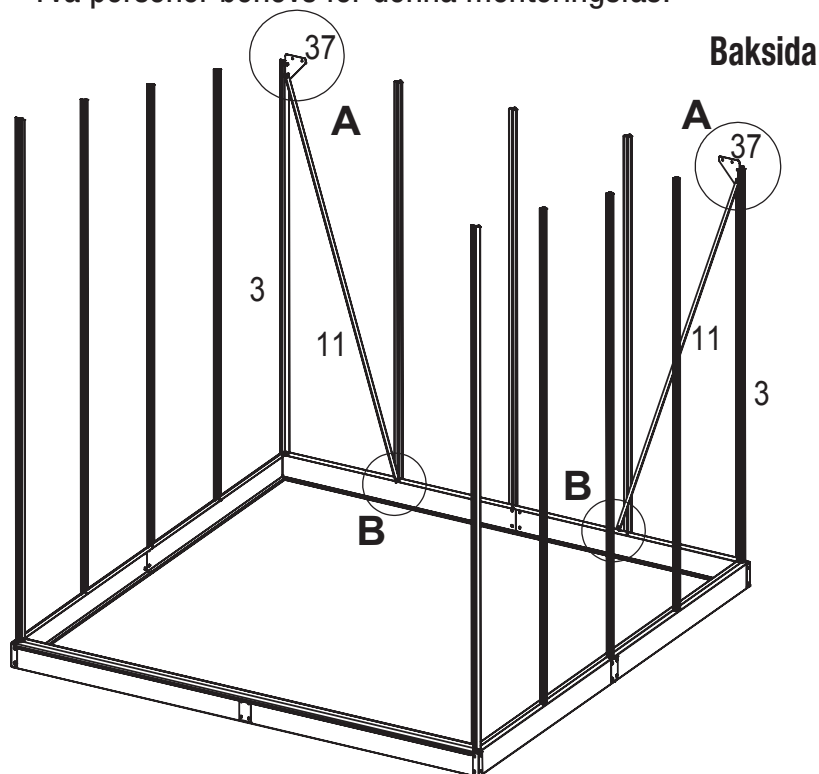
CELLO

MONTERA RAMEN FÖR VÄGGARNA

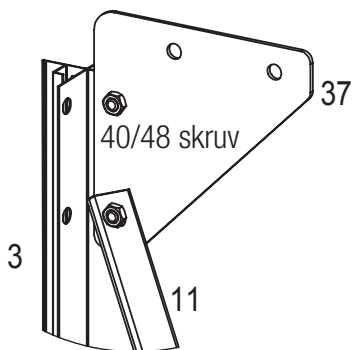
Art.Nr.	Ant.	Bild	Mått (mm)
11	2ST.		1720
37	2ST.		
40	6ST.		
48	6ST.		



Två personer behövs för denna monteringsfas!



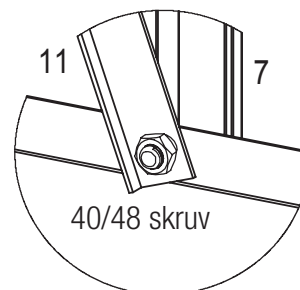
A



insidan av växthuset

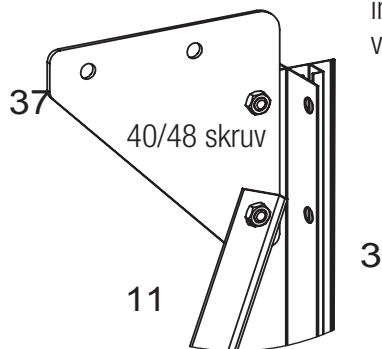
Fäst beslag nr 37 först och därefter nr 11

B



insidan av växthuset

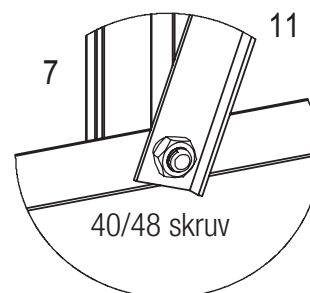
A



insidan av växthuset

Fäst beslag nr 37 först och därefter nr 11




B



insidan av växthuset

CELLO

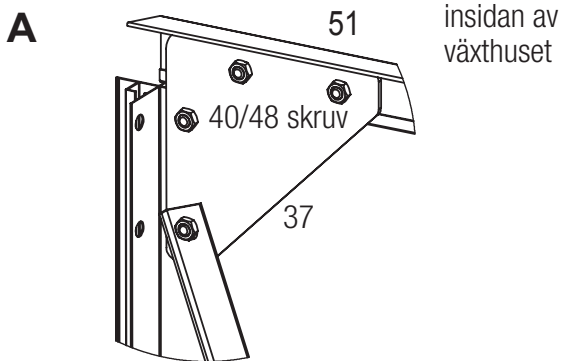
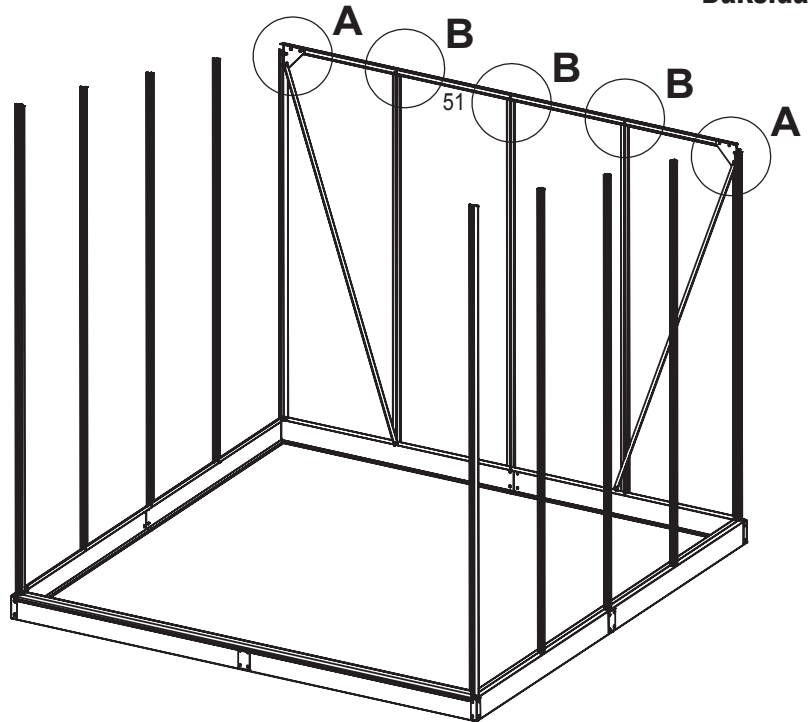
MONTERA RAMEN FÖR VÄGGARNA

Art.Nr.	Ant.	Bild	Mått (mm)
51	1ST.		
40	4ST.		
48	4ST.		

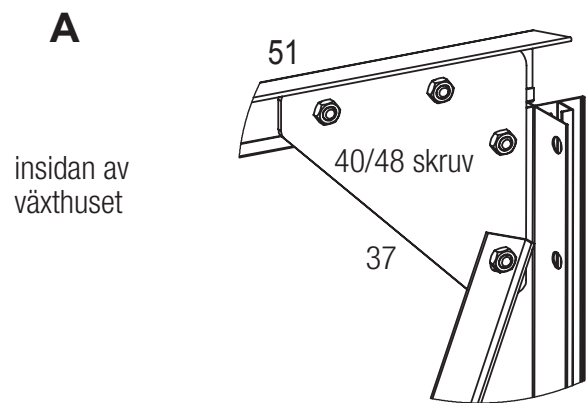


Två personer behövs för denna monteringsfas!

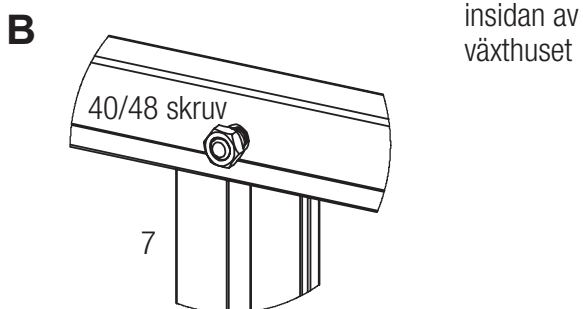
Baksida



Beslag nr 51 är fastsatt på nr 37



Beslag nr 51 är fastsatt på nr 37



Beslag nr 51 är fastsatt på nr 7

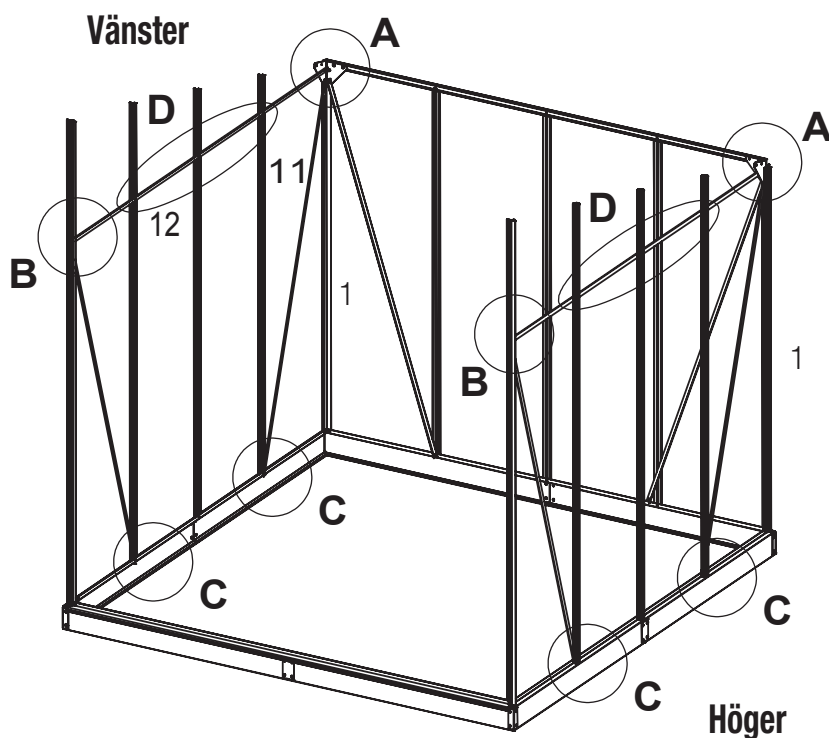
CELLO

MONTERA RAMEN FÖR VÄGGARNA



Art.Nr.	Ant.	Bild	Mått (mm)
11	4ST.		1720
12	2ST.		2400
35	2ST.		
40	22ST.		
48	22ST.		

Två personer behövs för denna monteringsfas!



Fäst beslag nr 35 först med monteringskruvarna

<p>A</p> <p>insidan av växthuset</p> <p>40/48 skruv</p> <p>Fäst 11/12/35 tillsammans med beslag 3. Observera 11/12 monteringspositionen</p>	<p>A</p> <p>insidan av växthuset</p> <p>40/48 skruv</p> <p>11/12 fäst tillsammans på beslag nr 1</p>
<p>B</p> <p>insidan av växthuset</p> <p>40/48 skruv</p>	<p>D</p> <p>5B/6B/9B</p> <p>40/48 skruv</p> <p>5A/6A/9A</p> <p>insidan av växthuset</p>

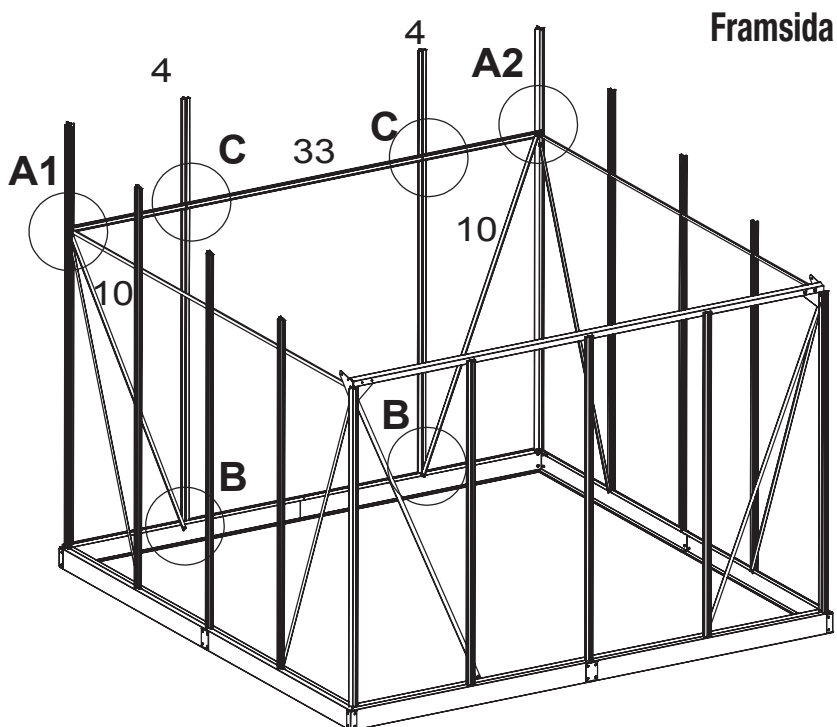
CELLO

MONTERA RAMEN FÖR VÄGGARNA

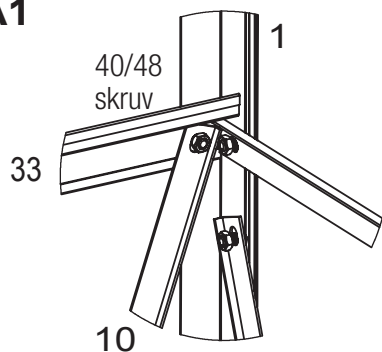


Art.Nr.	Ant.	Bild	Mått (mm)
4	2ST.		2230
10	2ST.		1765
33	1ST.		2406
40	8ST.		
48	8ST.		

Två personer behövs för denna monteringsfas!



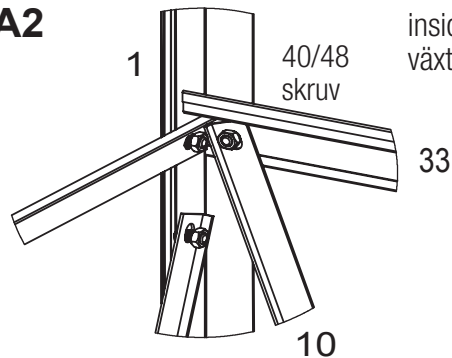
A1



insidan av växthuset

10/33 fäst tillsammans på beslag 1

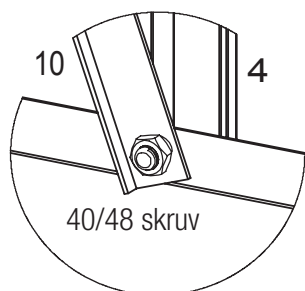
A2



insidan av växthuset

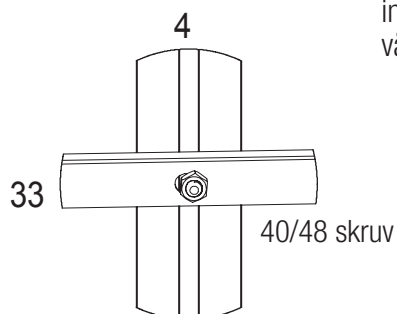
10/33 fäst tillsammans på beslag 1

B



insidan av växthuset

C






insidan av växthuset

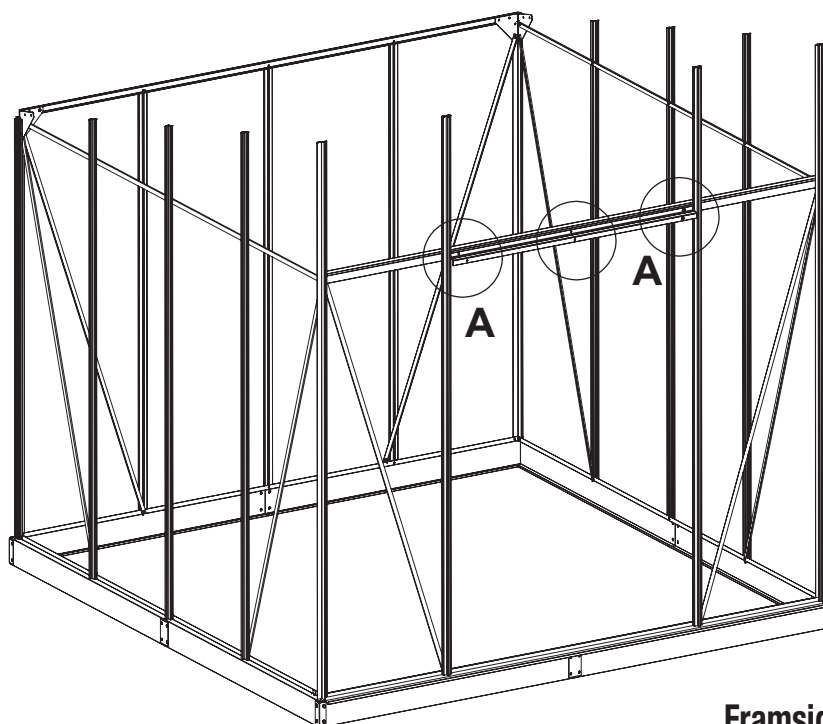
Nummer 33 är festsatt på nummer 4

CELLO

MONTERA RAMEN FÖR VÄGGARNA

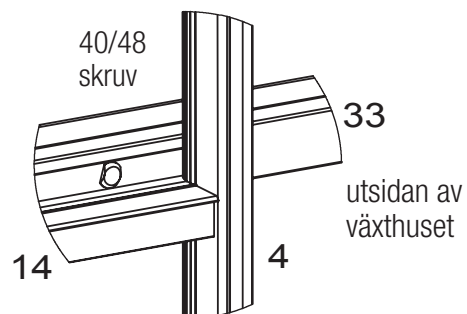


Art.Nr.	Ant.	Bild	Mått (mm)
14	1ST.		1176
40	3ST.		
48	3ST.		



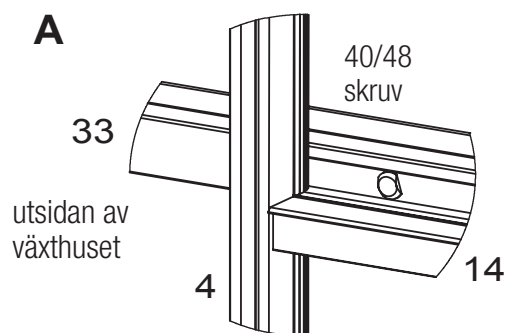
Framsida

A



Nummer 14 är fäst på nummer 33






A

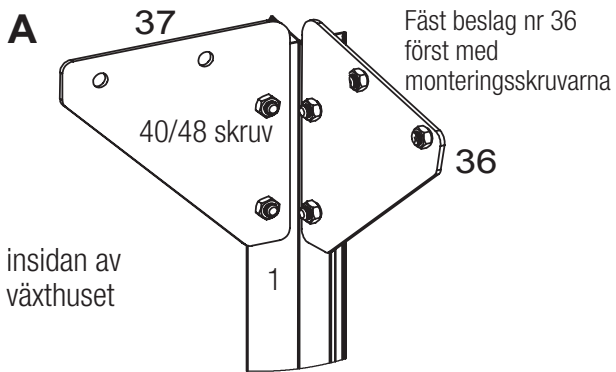
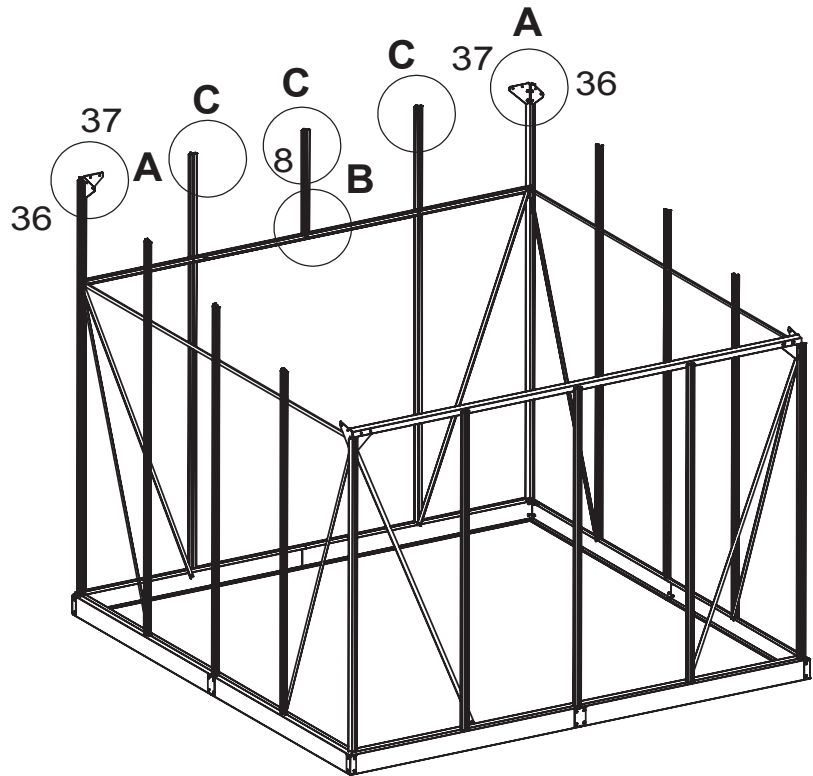


Nummer 14 är fäst på nummer 33

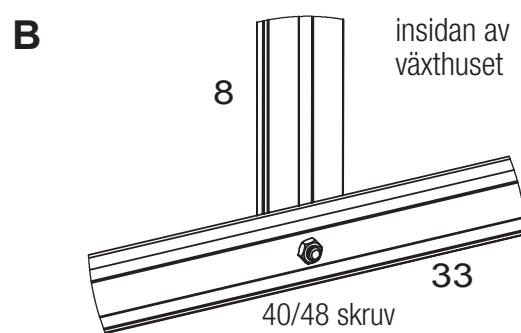
MONTERA RAMEN FÖR VÄGGARNA



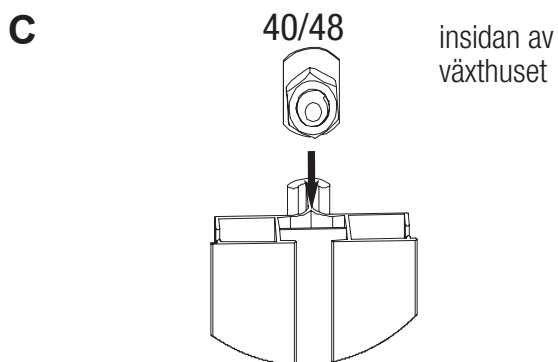
Art.Nr.	Ant.	Bild	Mått (mm)
8	1ST.		568
36	2ST.		
37	2ST.		
40	16ST.		
48	16ST.		



Nr 36/37 är fastsatt på beslag nr 1



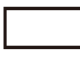

Nummer 8 är fastsatt på nummer 33



Delen C är förmonterad med skruvar

CELLO

MONTERA VÄGGENS PC-PANEL

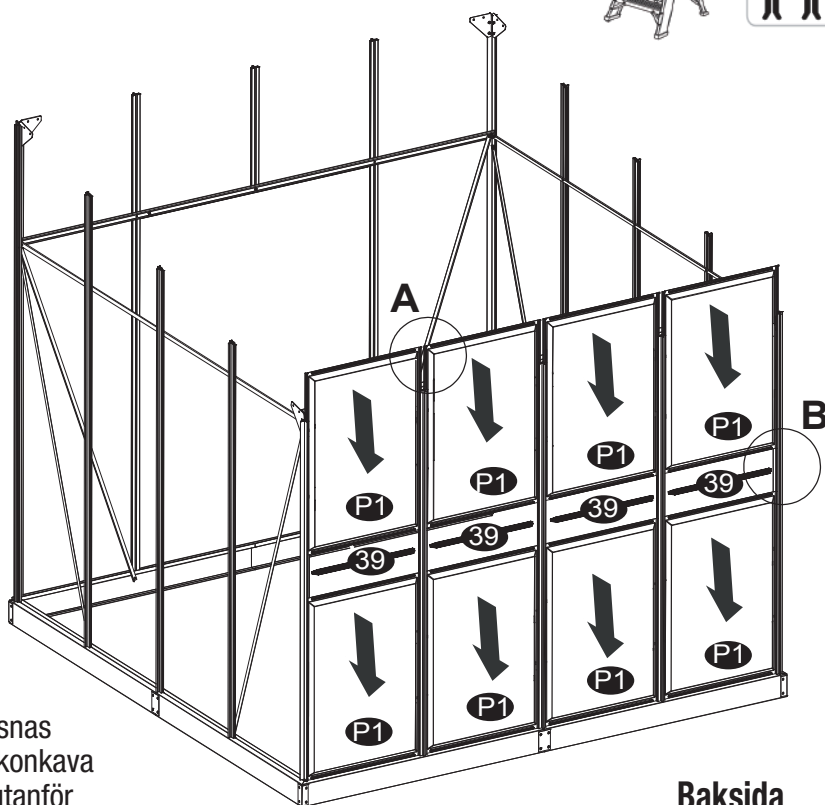
Art.Nr.	Ant.	Bild	Mått (mm)
P1	8ST.		845x590
39	4ST.		568



Väggpanelernas gröna skyddsfilm på 0,7 mm visar den UV-skyddade sidan av panelen.

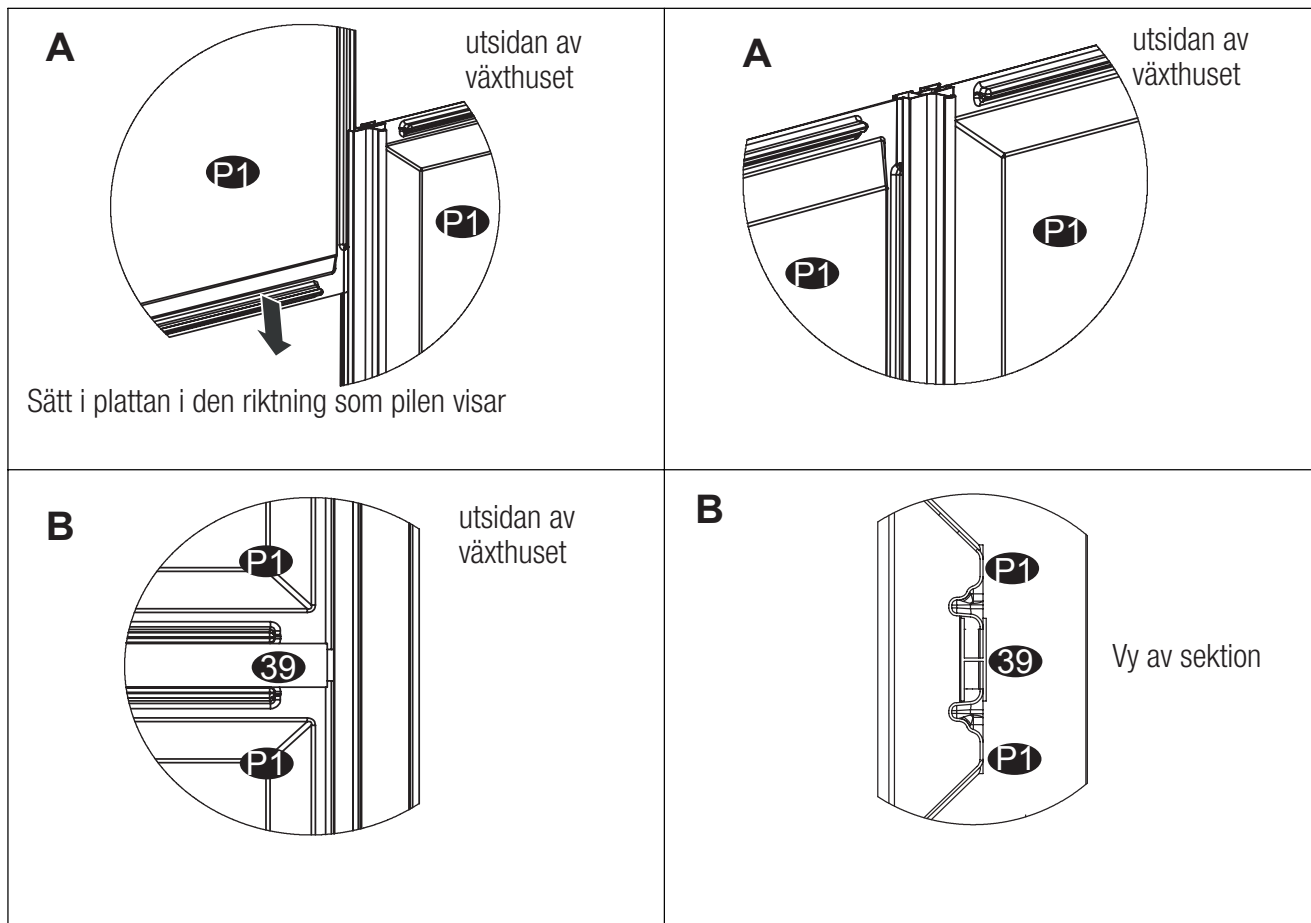


Väggpanelernas genomskinliga skyddsfilm på 0,7 mm visar den UV-oskyddade sidan av panelen.



Observera att skyddsfilmerna ska avlägsnas från båda sidor av väggpanelerna. Den konkava sidan är UV-skyddad och ska placeras utanför växthuset.

Baksida

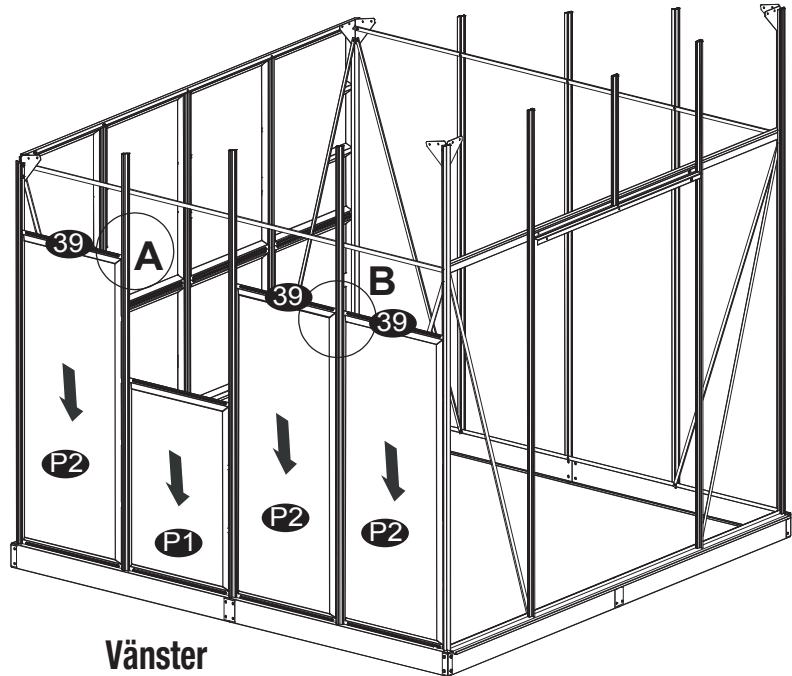


CELLO

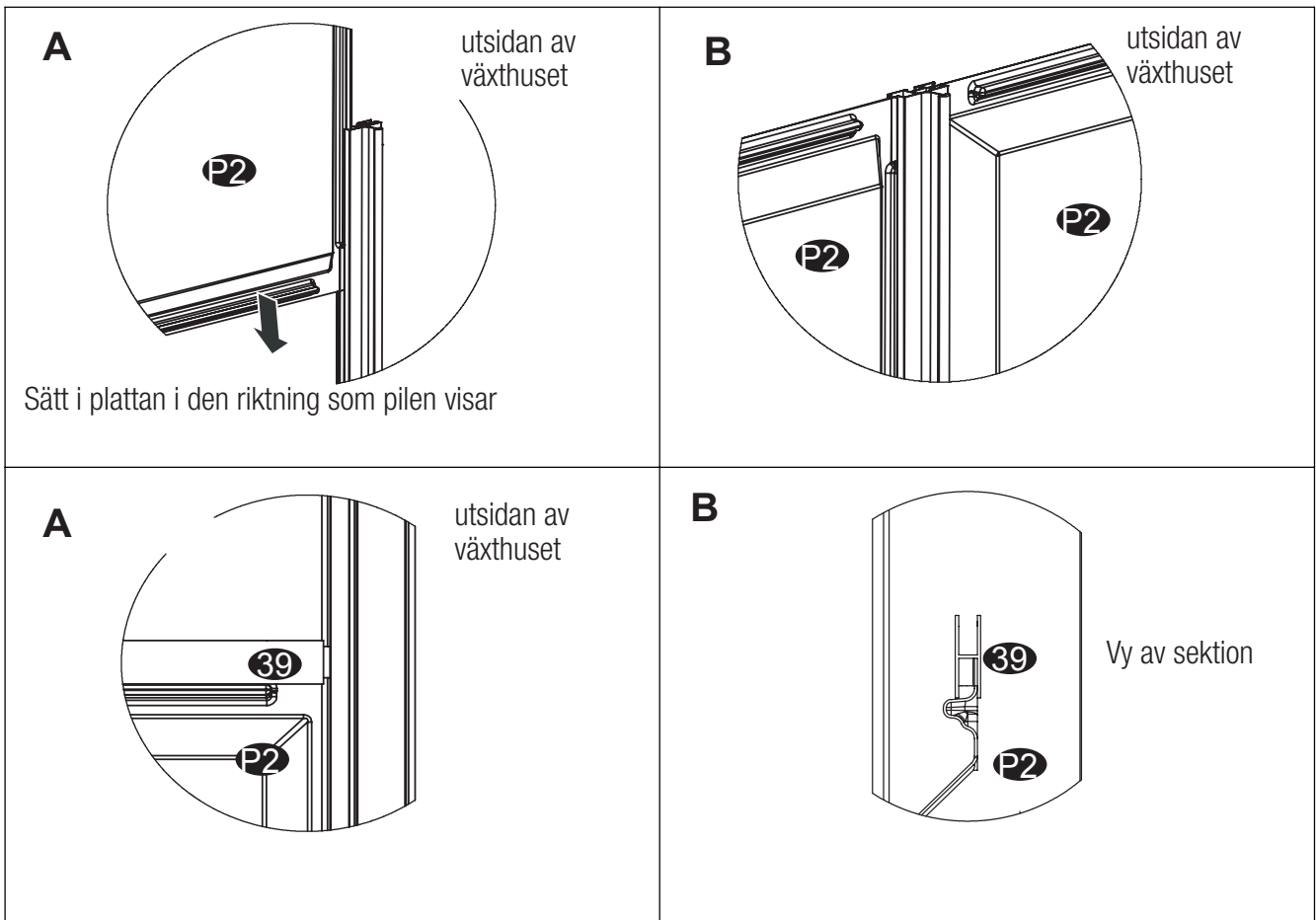
MONTERA VÄGGENS PC-PANEL



Art.Nr.	Ant.	Bild	Mått (mm)
P1	1ST.		845x590
P2	3ST.		1367x590
39	3ST.		568



Avlägsna skyddsfilmerna på båda sidor av panelen



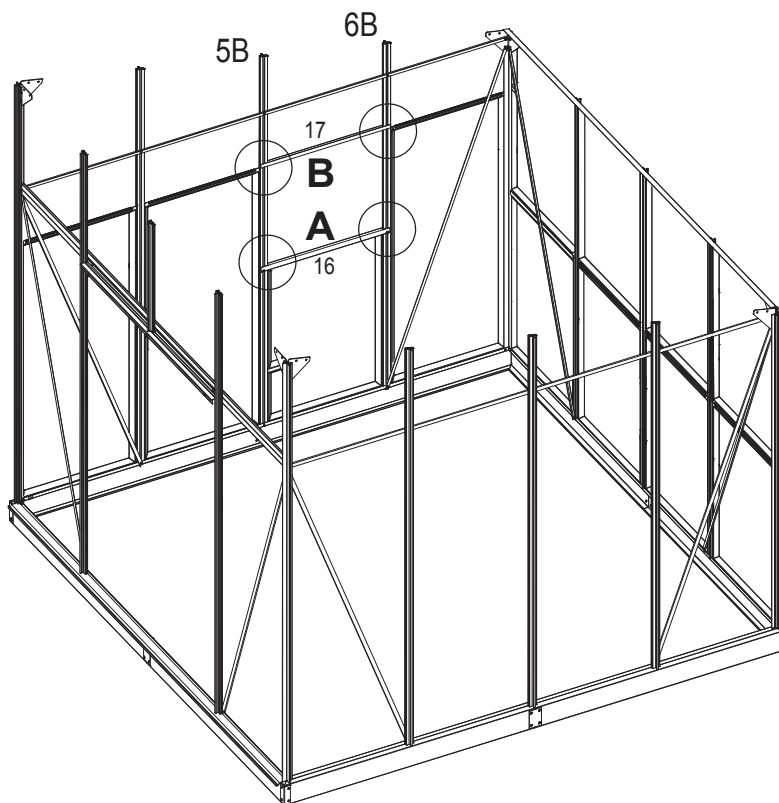
CELLO

INSTALLATION AV VENTILATION PÅ VÄGGEN

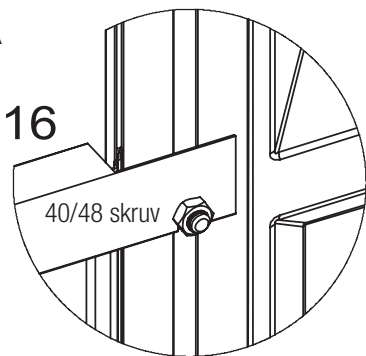


Vänster

Art.Nr.	Ant.	Bild	Mått (mm)
16	1ST.		635
17	1ST.		638



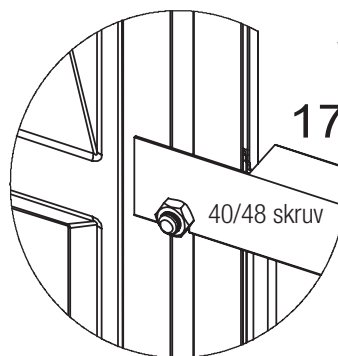
A



insidan av växthuset

Nummer 16 är fäst på 5B/6b

B



insidan av växthuset

Nummer 17 är fäst på 5B/6b

A-B



Vy av installation av delen A/B

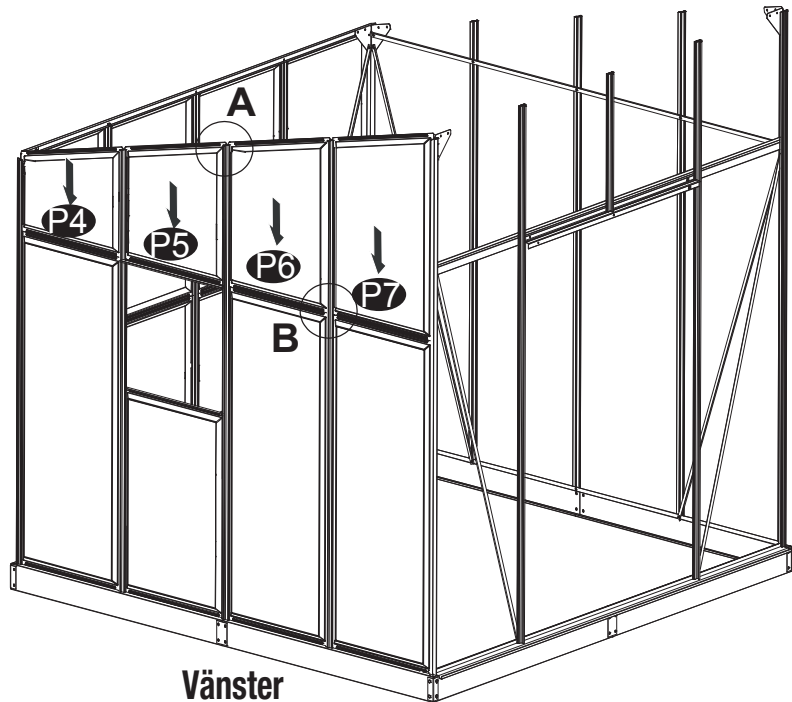


CELLO

MONTERA VÄGGENS PC-PANEL

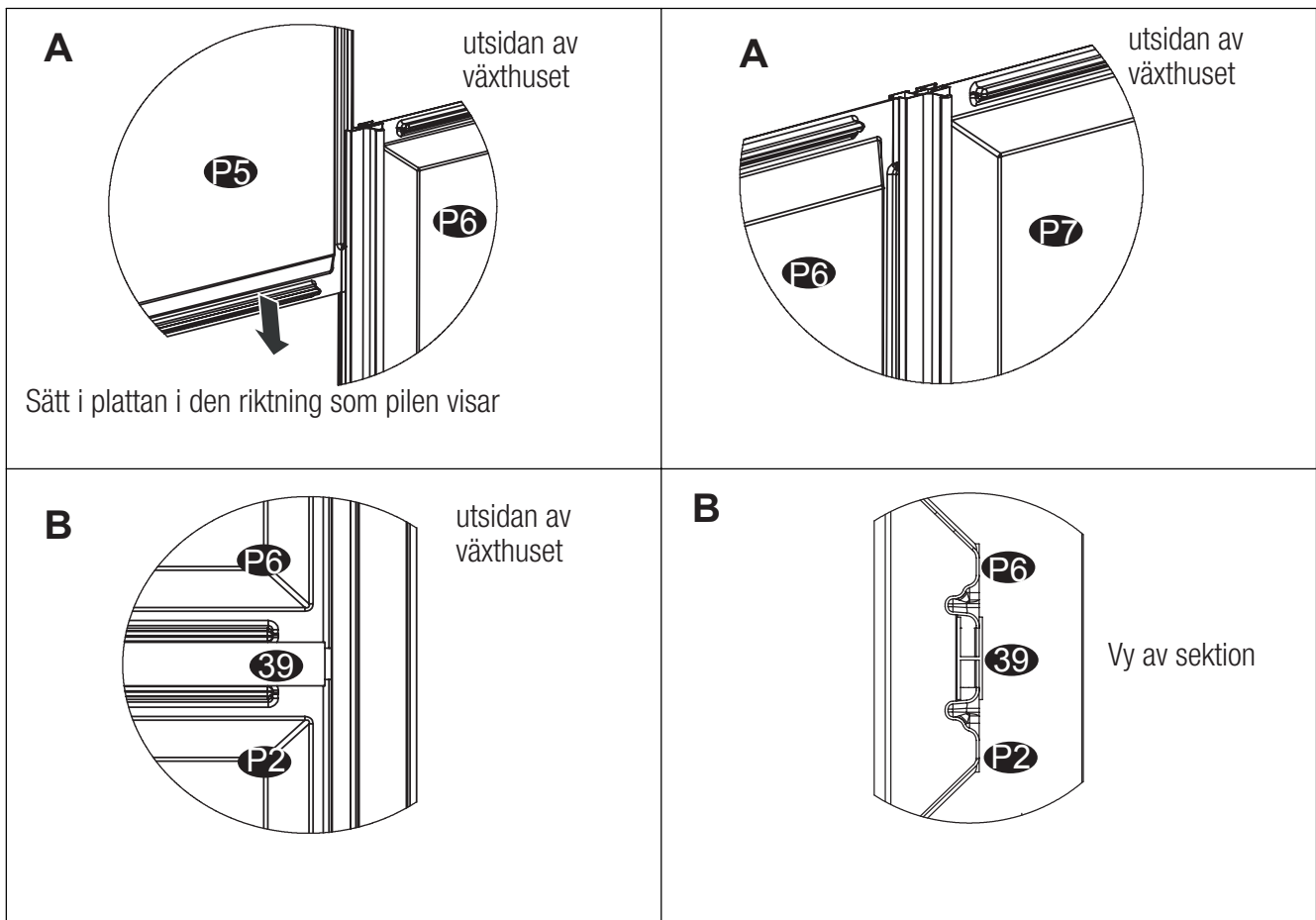


Art.Nr	Ant.	Bild	Mått (mm)
P4	1ST.		450x590
P5	1ST.		590x590
P6	1ST.		720x585
P7	1ST.		590x853



Vänster

Avlägsna skyddsfilmerna på båda sidor av panelen



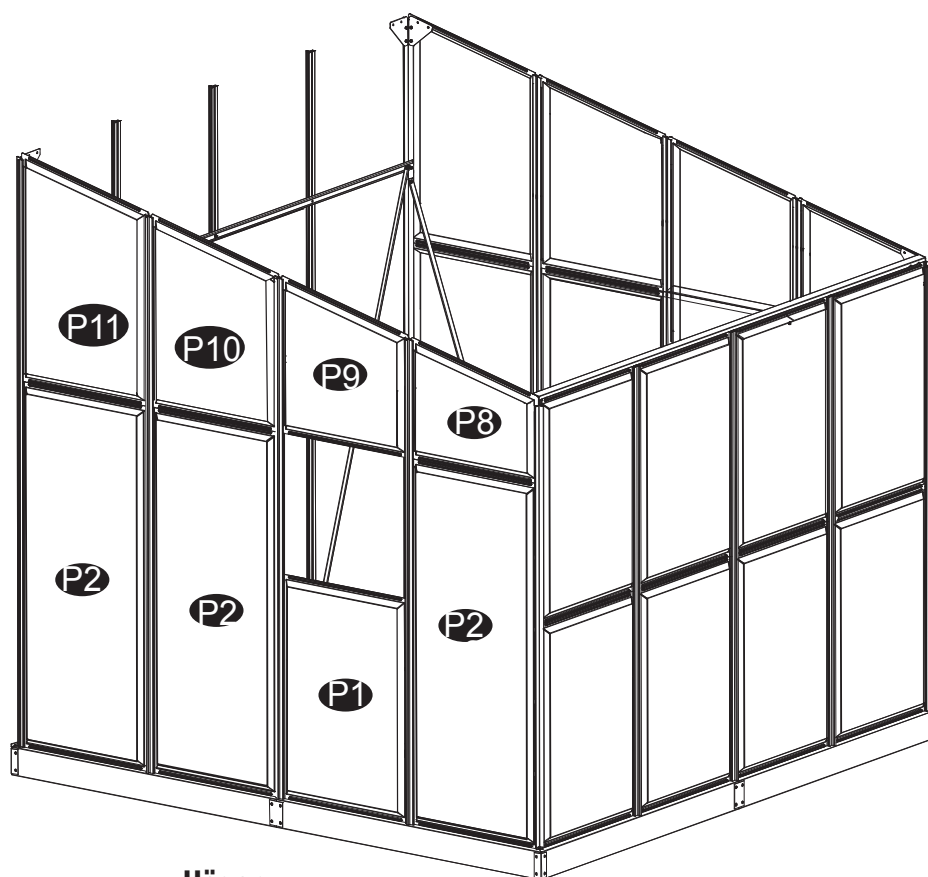
CELLO

MONTERA VÄGGENS PC-PANEL



Art.Nr.	Ant.	Bild	Mått (mm)
P1	1ST.		845x590
P2	3ST.		1367x590
16	1ST.		635
17	1ST.		638

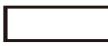

Art.Nr.	Ant.	Bild	Mått (mm)
P8	1ST.		450x590
P9	1ST.		585x590
P10	1ST.		720x590
P11	1ST.		590x855

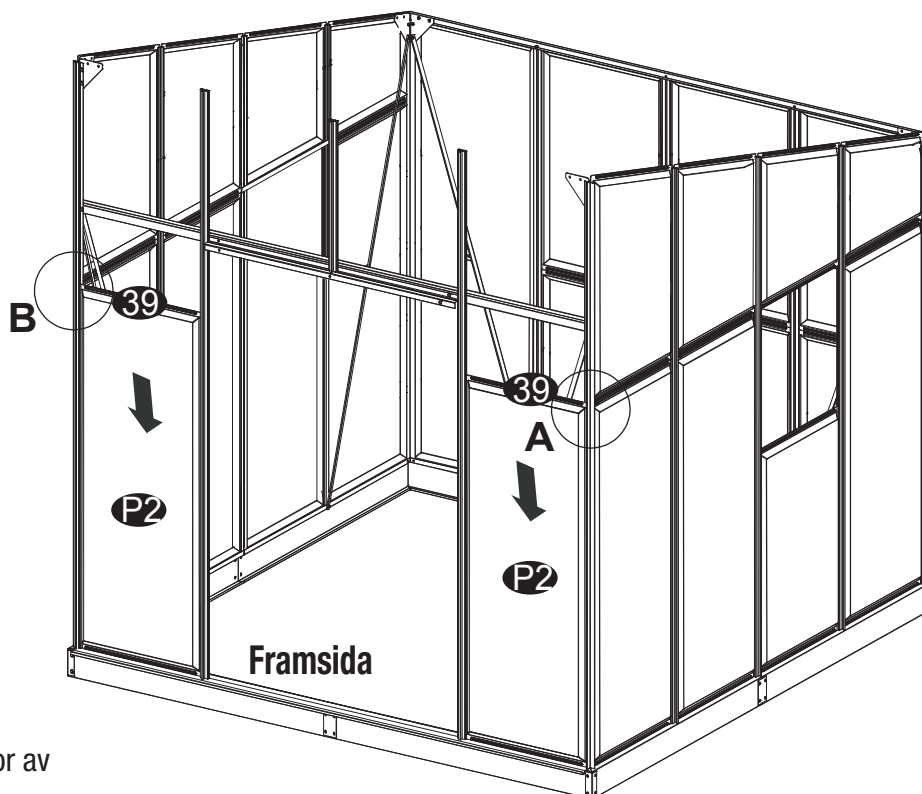


Höger

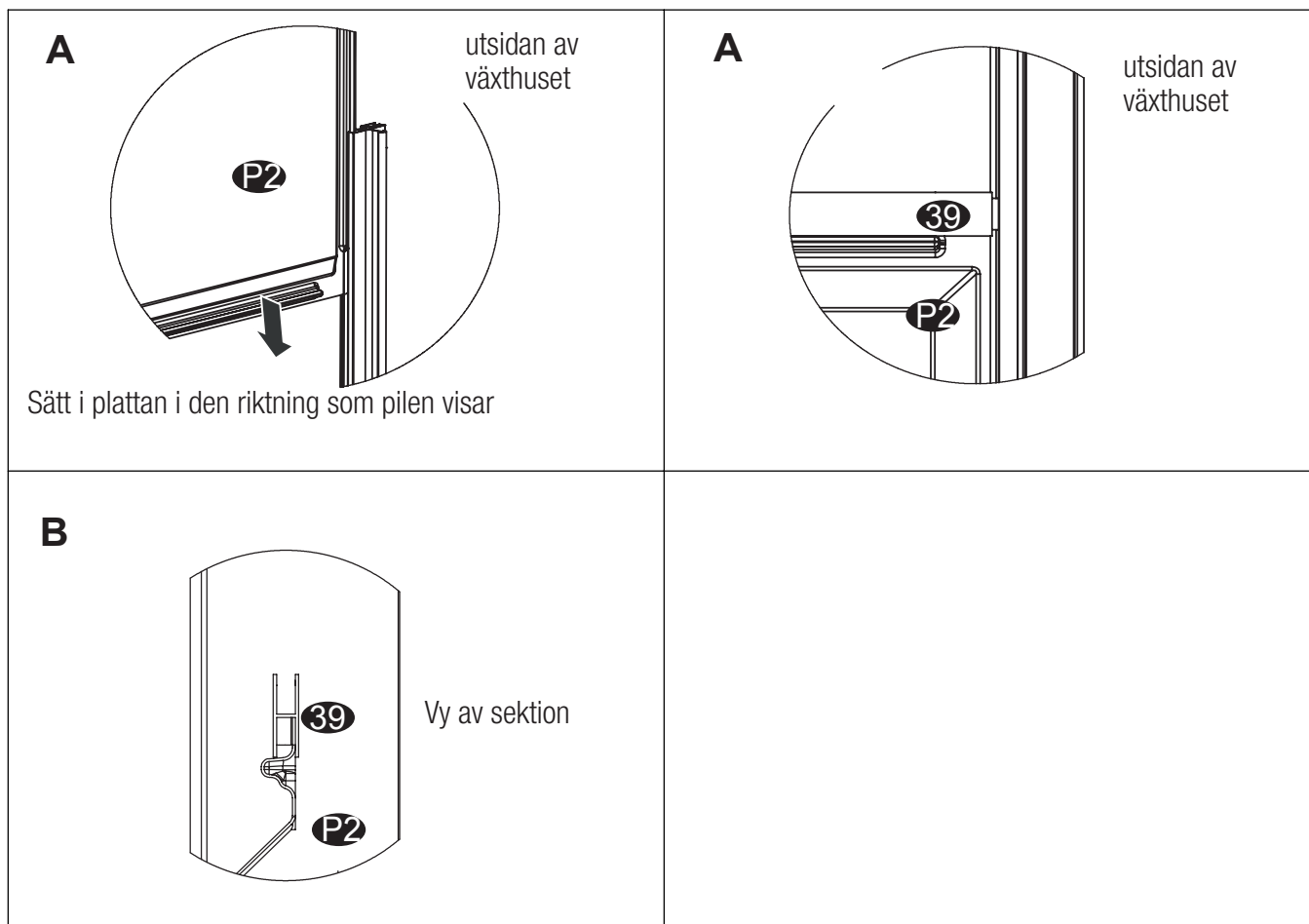
Se sidorna 106/107/108 för installation av högerväggen

MONTERA VÄGGENS PC-PANEL

Art.Nr.	Ant.	Bild	Mått (mm)
P2	2ST.		1367X590
39	2ST.		568



Avlägsna skyddsfilmerna på båda sidor av panelen

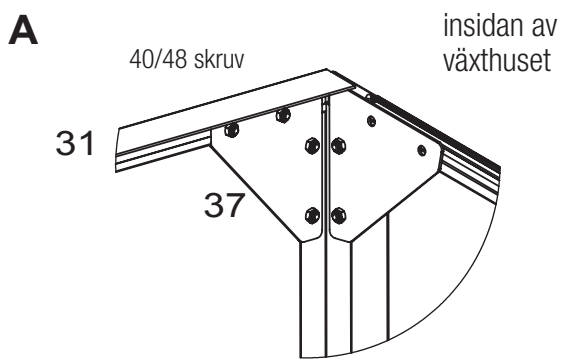
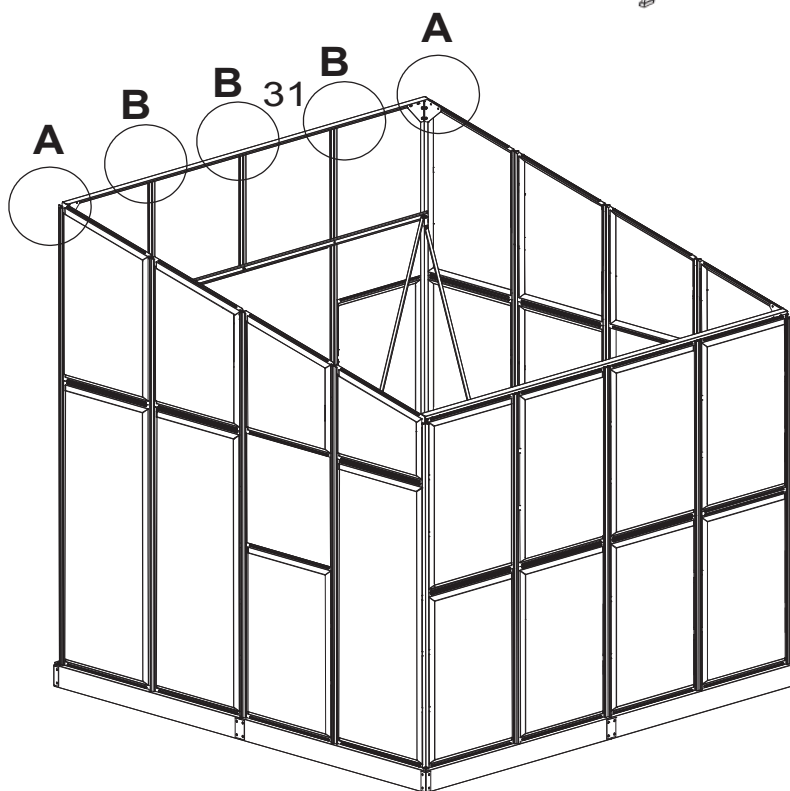


CELLO

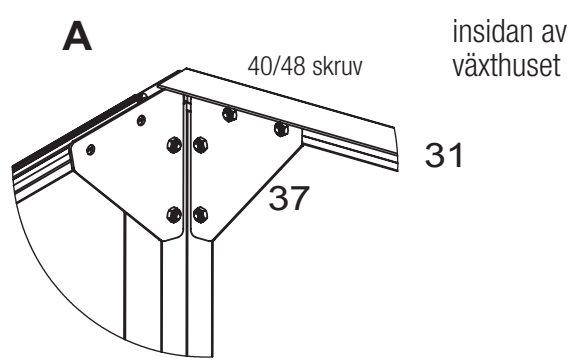
MONTERA RAMEN FÖR VÄGGARNA



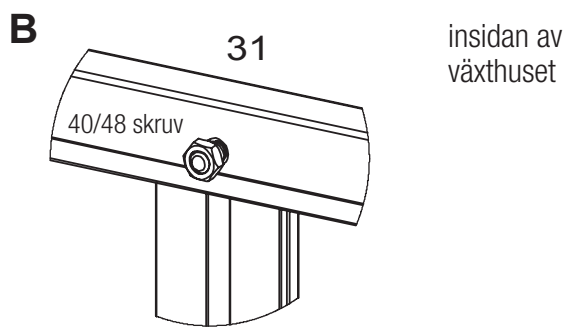
Art.Nr.	Ant.	Bild	Mått (mm)
31	1ST.		2406
40	7ST.		
48	7ST.		



Nummer 31 är fastsatt på nummer 37



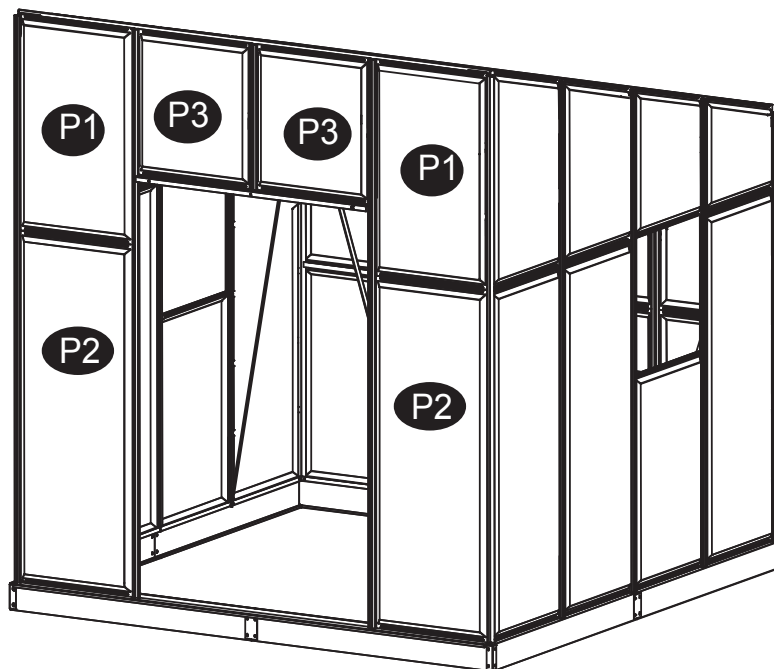
Nummer 31 är fastsatt på nummer 37



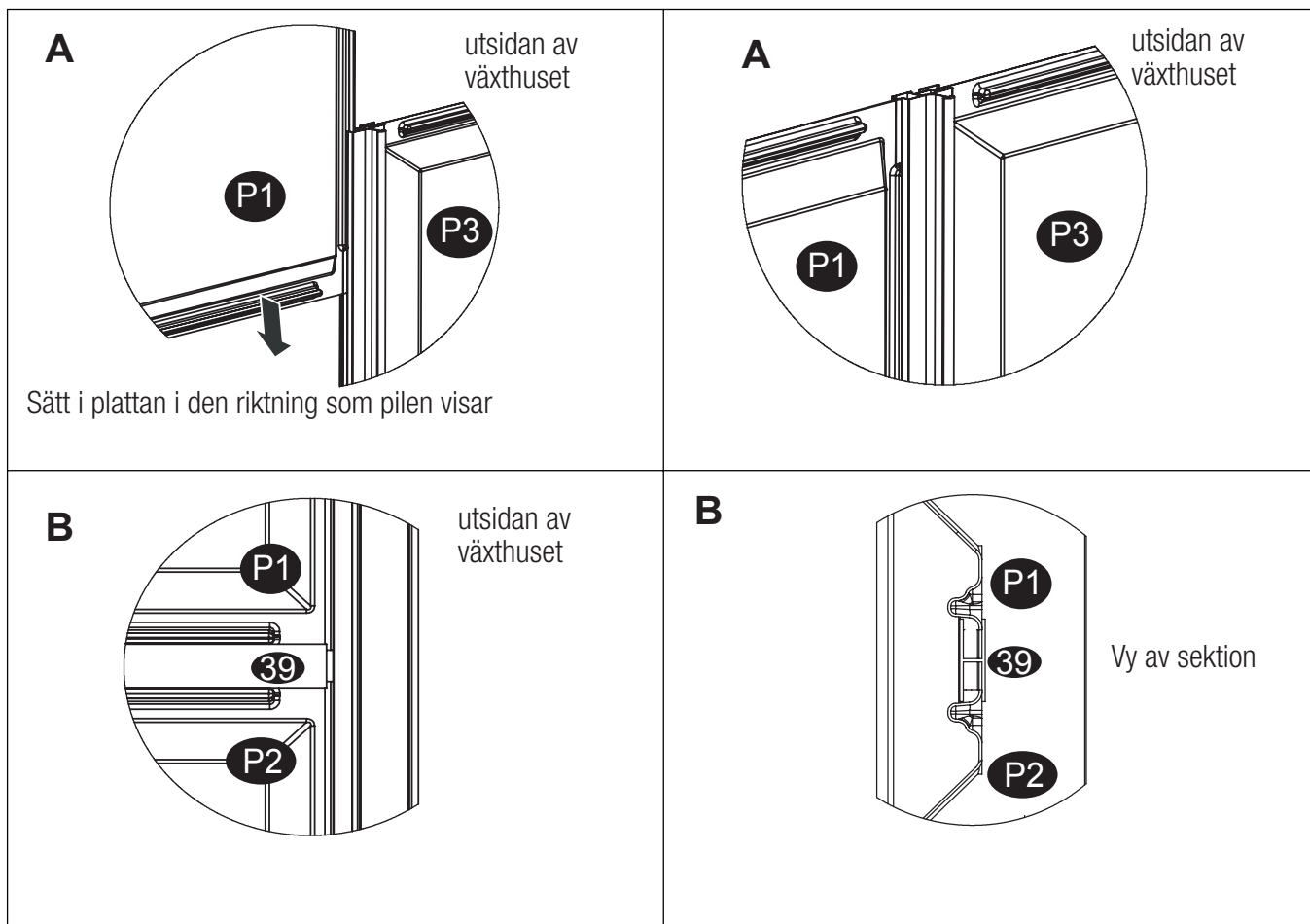
MONTERA VÄGGENS PC-PANEL



Art.Nr.	Ant.	Bild	Mått (mm)
P1	2ST.		845x590
P3	2ST.		595x590



Avlägsna skyddsfilmerna på båda sidor av panelen

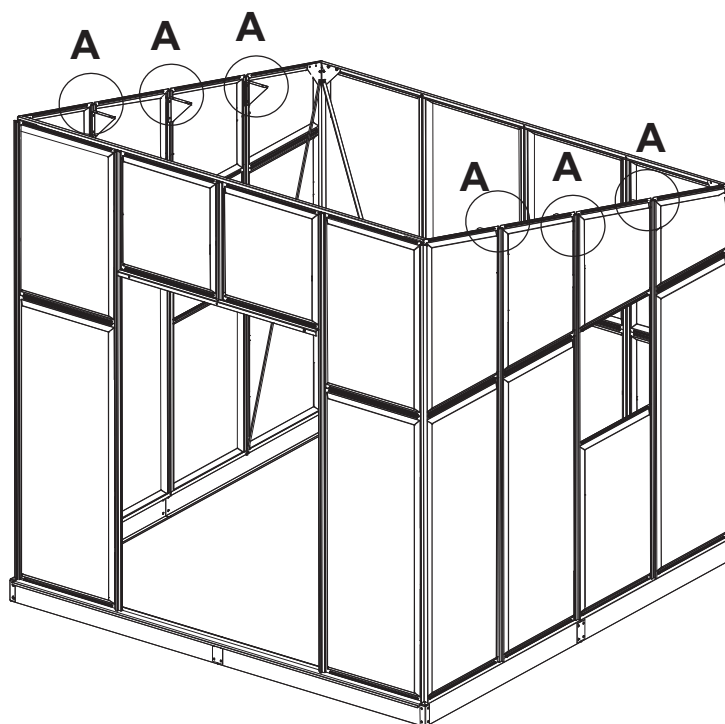


CELLO

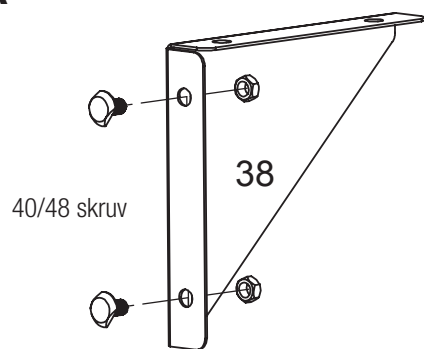
MONTERING AV TAKBESLAG



Art.Nr.	Ant.	Bild	Mått (mm)
38	6ST.		
40	12ST.		
48	12ST.		



A

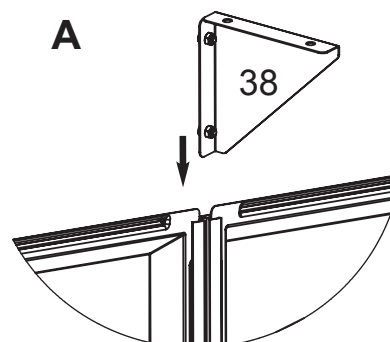


40/48 skruv

38

Använd först skruvar för beslag nr 38

A







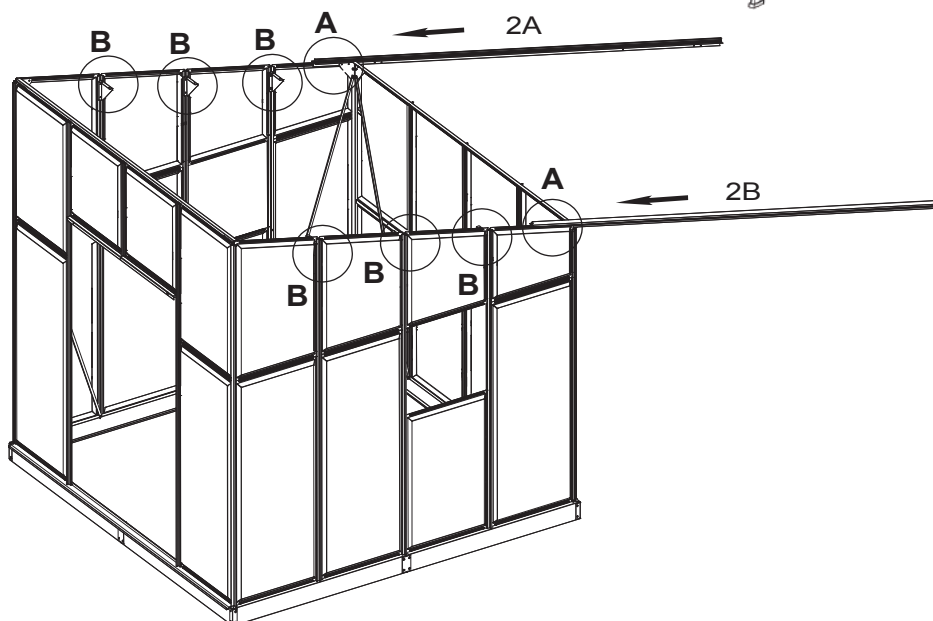
utsidan av växthuset

Sätt i beslag nr 38 i den riktning som pilen visar.
 Dra inte åt skruven ännu

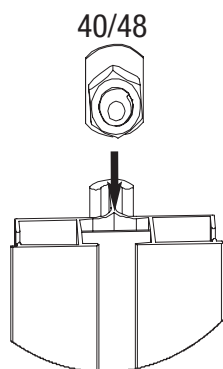
CELLO

MONTERING AV TAKBESLAG

Art.Nr.	Ant.	Bild	Mått (mm)
2A	1ST.		2954
2B	1ST.		2954
40	6ST.		
48	6ST.		



B



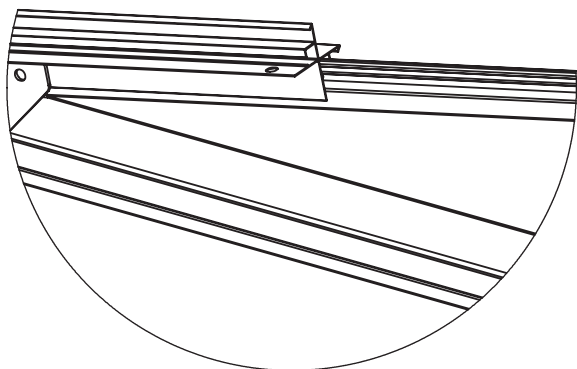
40/48

insidan av växthuset

Förinstallera skruvarna innan 2A/2B installeras

A

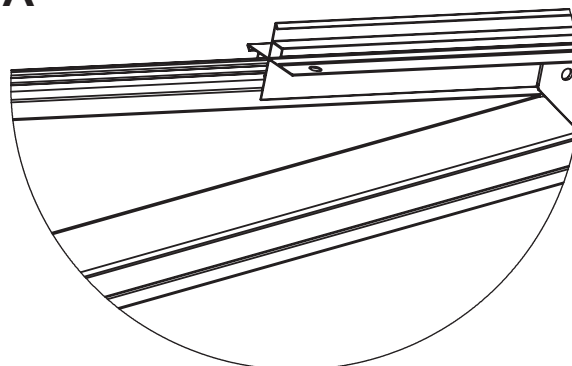
2B



Sätt i beslag 2A/2B i den riktning som pilen visar.
Observera riktningen

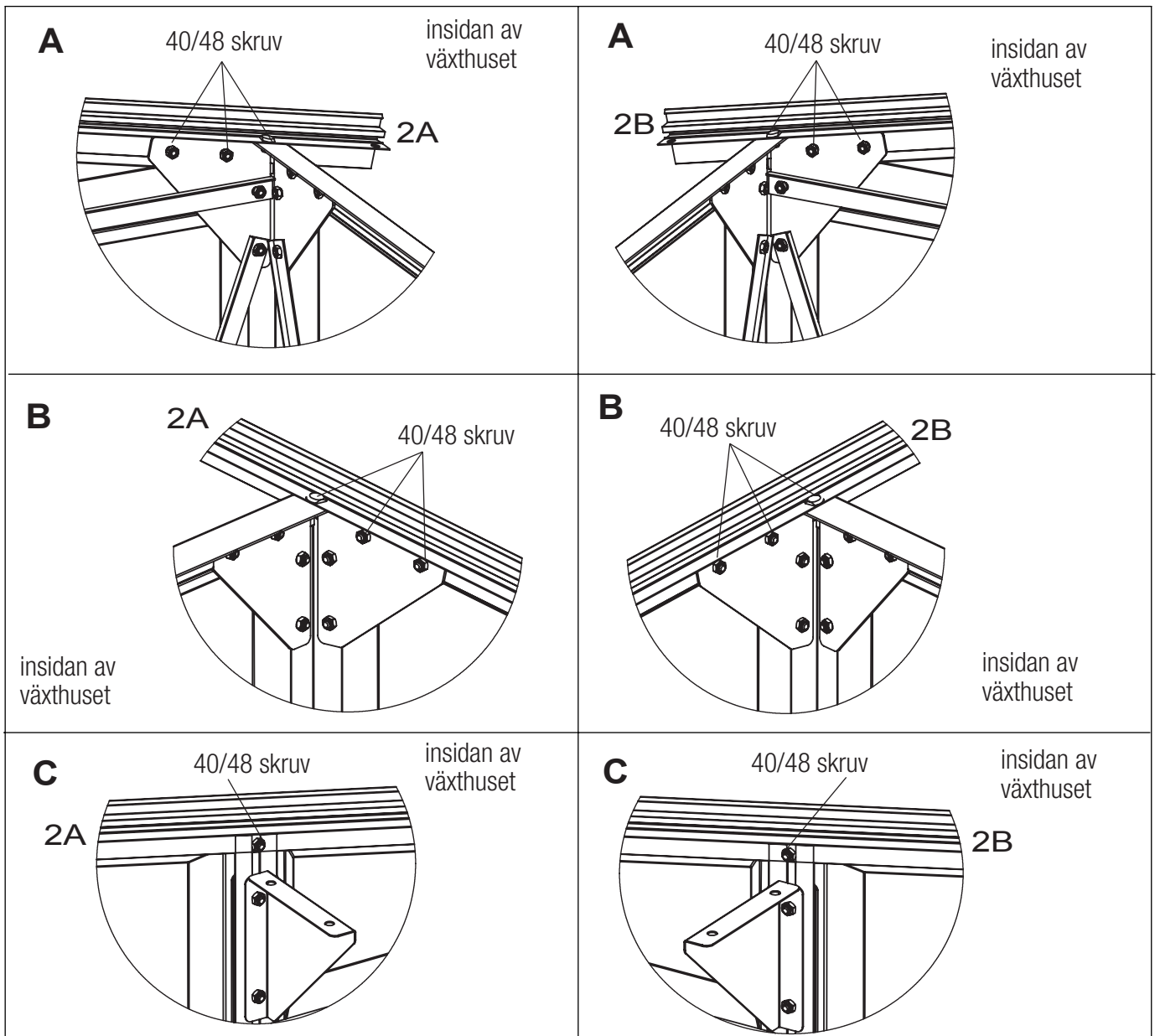
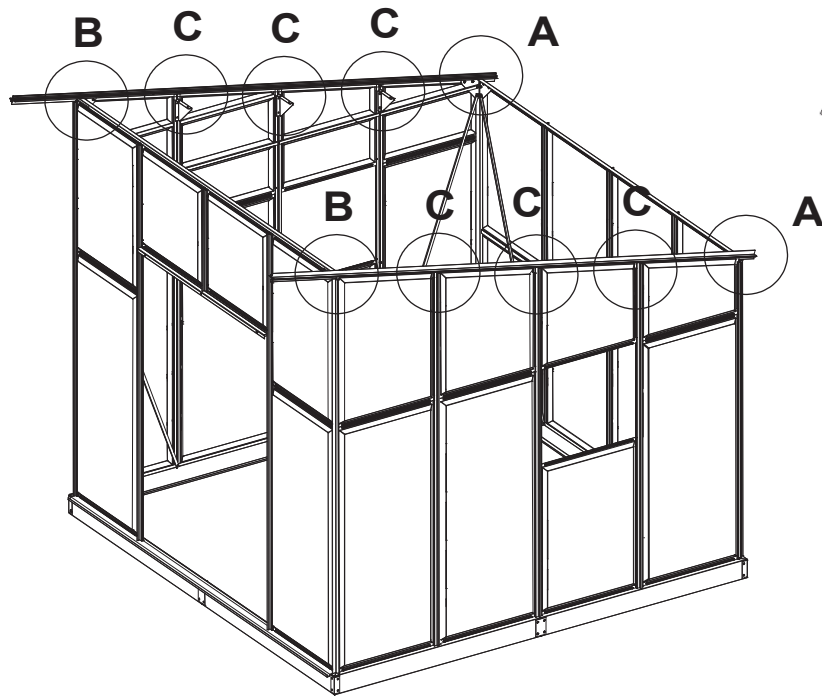
A

2A



Sätt i beslag 2A/2B i den riktning som pilen visar.
Observera riktningen

CELLO

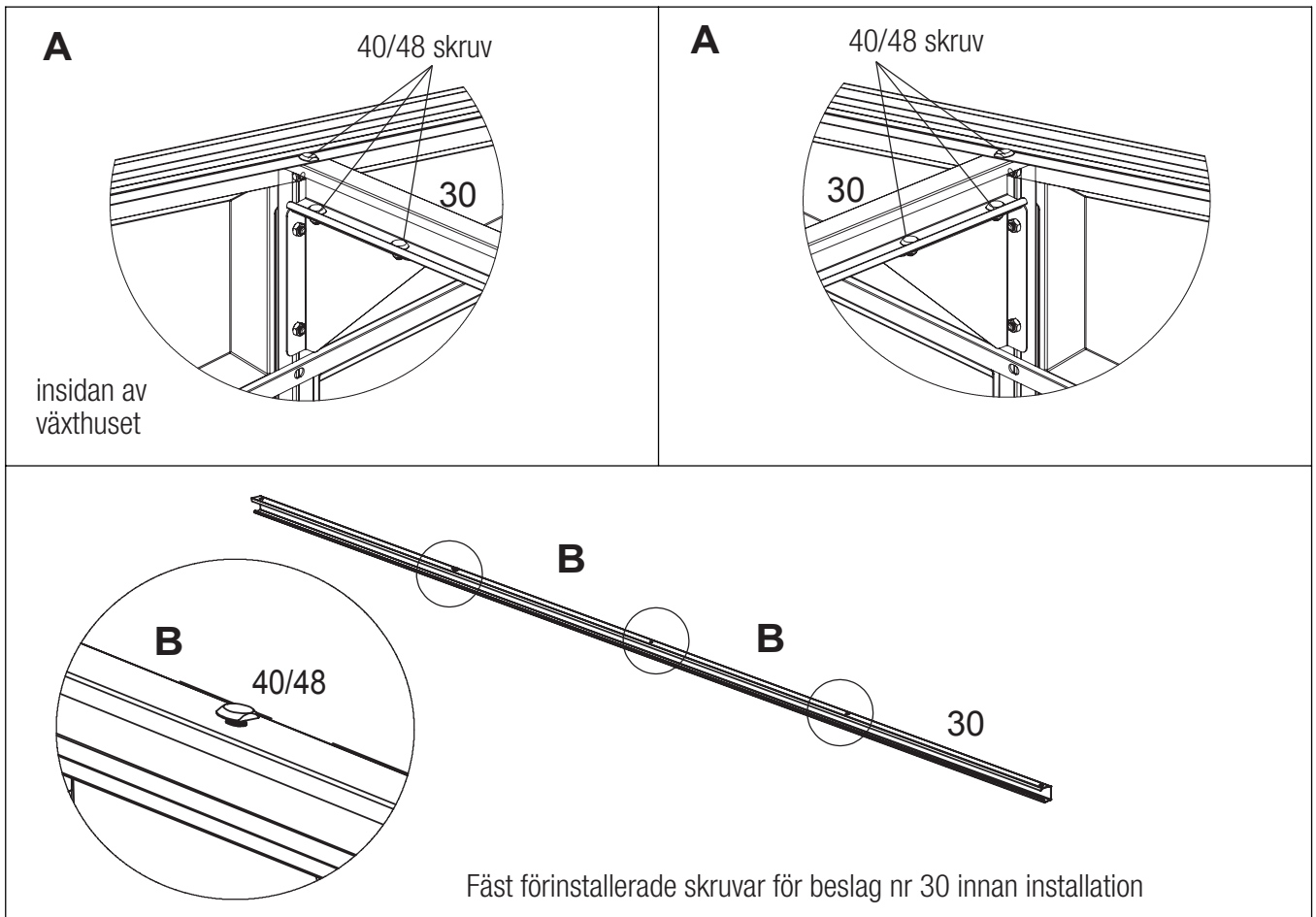
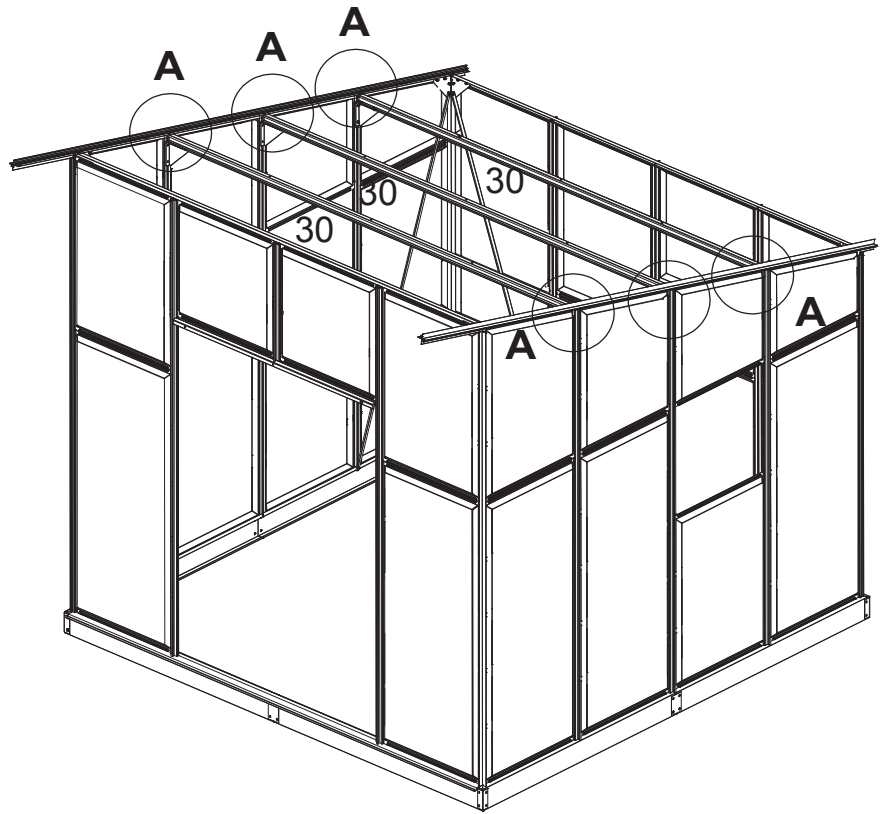


CELLO

TAKMONTERING



Art.Nr.	Ant.	Bild	Mått (mm)
30	3ST.		2406
40	21ST.		
48	21ST.		



CELLO

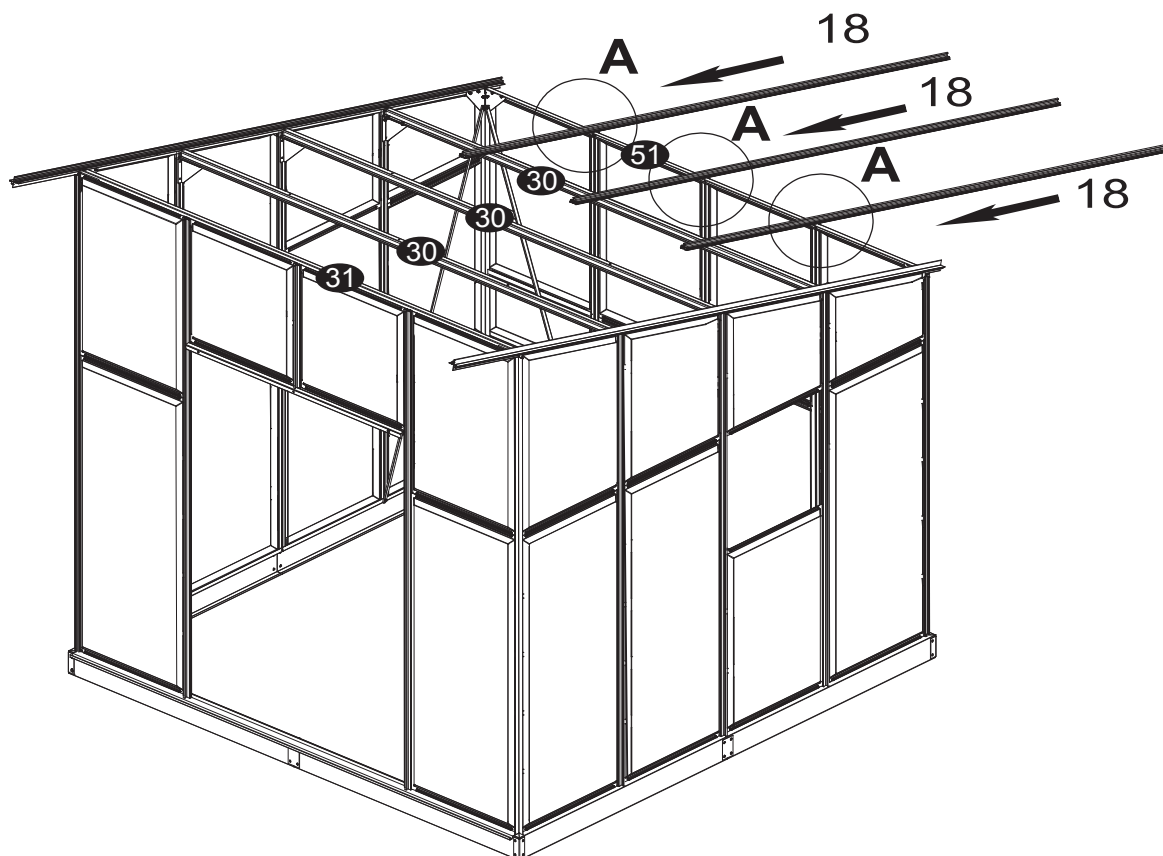
TAKMONTERING



Art.Nr.	Ant.	Bild	Mått (mm)
18	3ST.		2935
40	6ST.		
48	6ST.		

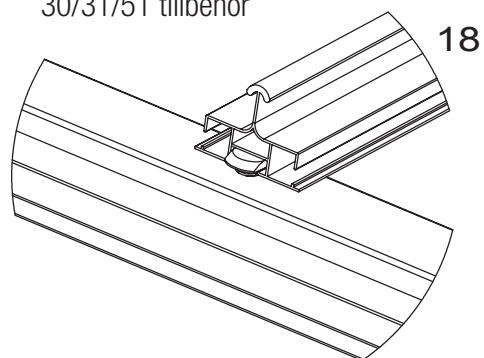
Förinstallera skruvarna 31/51 innan beslag 18

Beslag 18 sätts in i den riktning som pilen visar



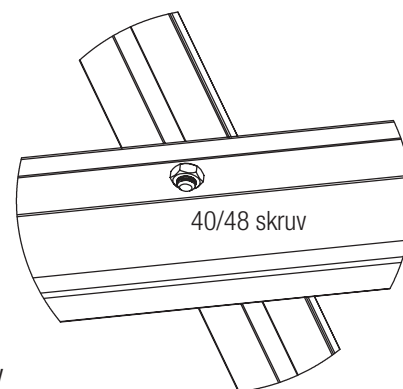
A

30/31/51 tillbehör



Sätt i 18 genom beslag 30/31/51 med förinstallerad skruv och belasta inte

A



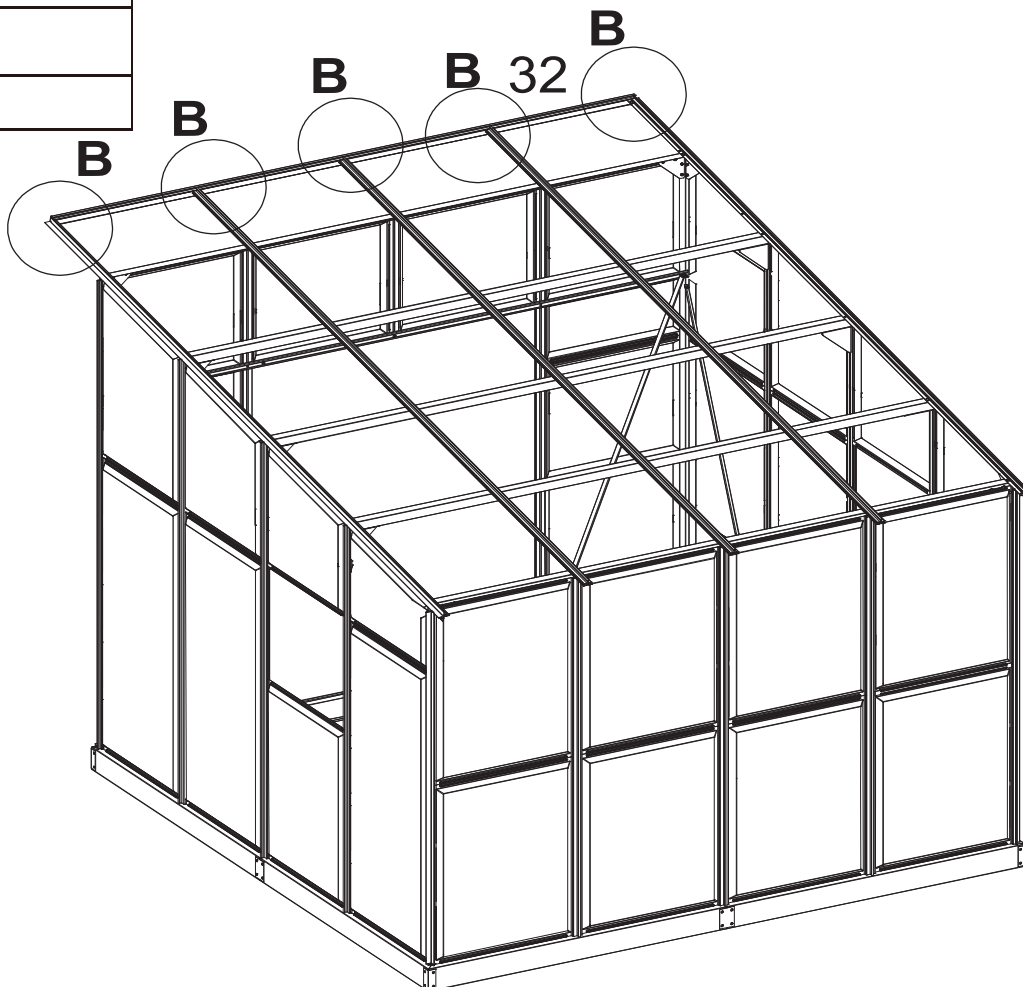
insidan av växthuset

CELLO

TAKMONTERING



Art.Nr.	Ant.	Bild	Mått (mm)
32	3ST.		2406
40	4ST.		
48	4ST.		



B


32

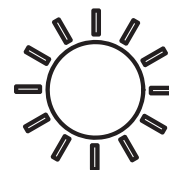
40/48 skruv

Beslag nr 32 är fastsatt på beslag nr 2A/2b/18

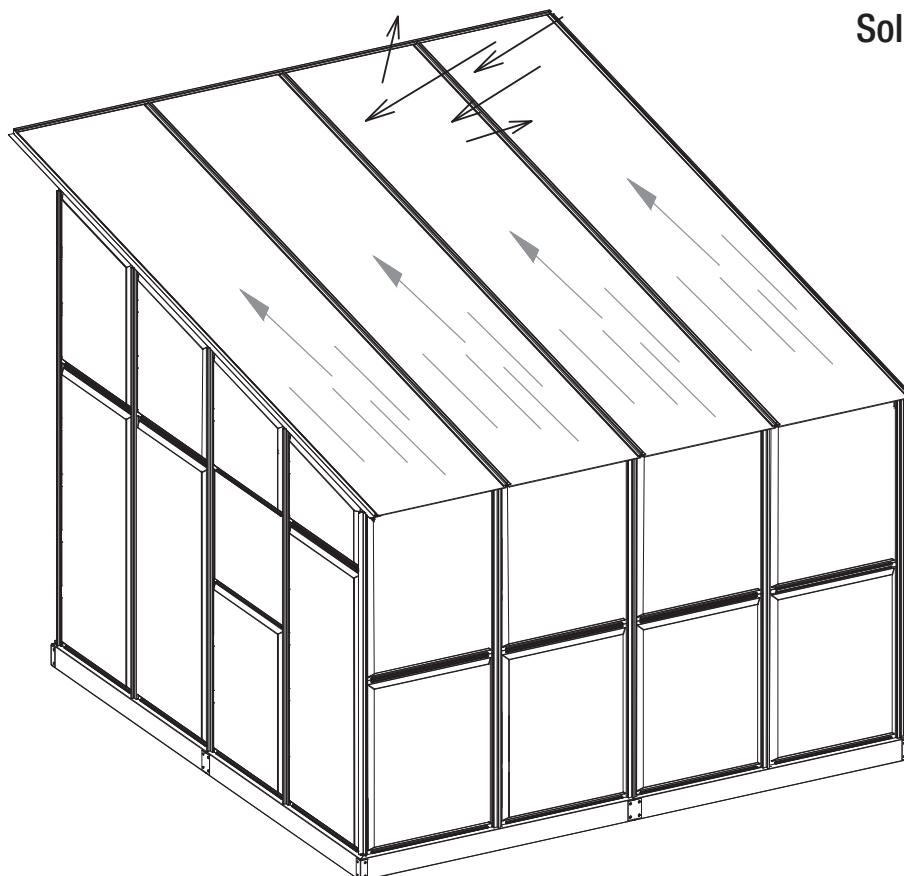
CELLO

PC-PANELER FÖR TAK

Art.Nr.	Ant.	Bild	Mått (mm)
P14	4ST.		2954x590



Sol



Sätt i plattan i den riktning som pilen visar

Avlägsna skyddsfilmen på båda sidor av panelen



Takpanelernas vita skyddsfilm på 4,0 mm visar den UV-skyddade sidan av panelen.






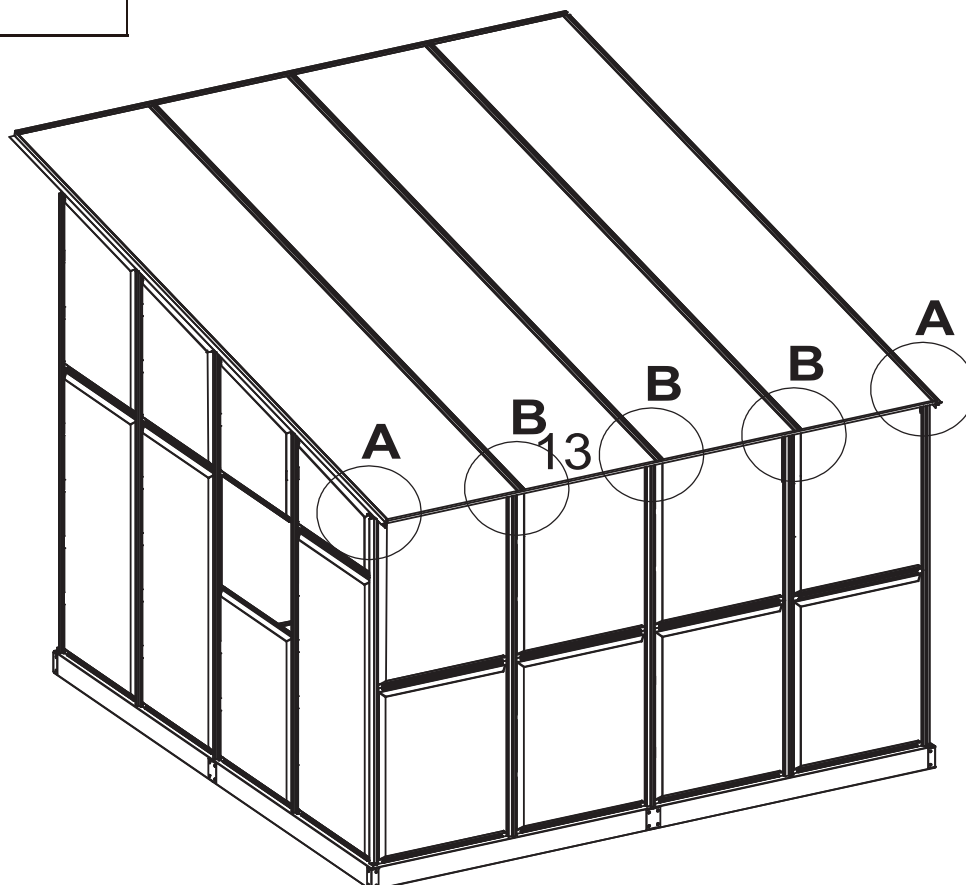
Takpanelernas genomskinliga skyddsfilm på 4,0 mm visar den UV-oskyddade sidan av panelen.

CELLO

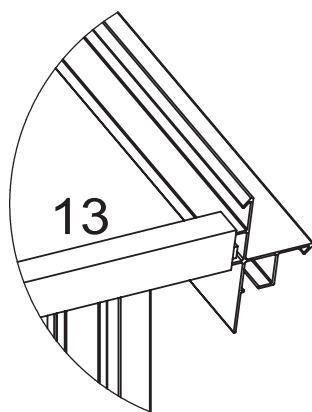
TAKMONTERING



Art.Nr.	Ant.	Bild	Mått (mm)
13	1ST.		2400
40	4ST.		
48	4ST.		

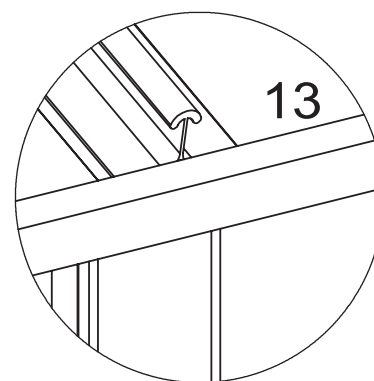


A



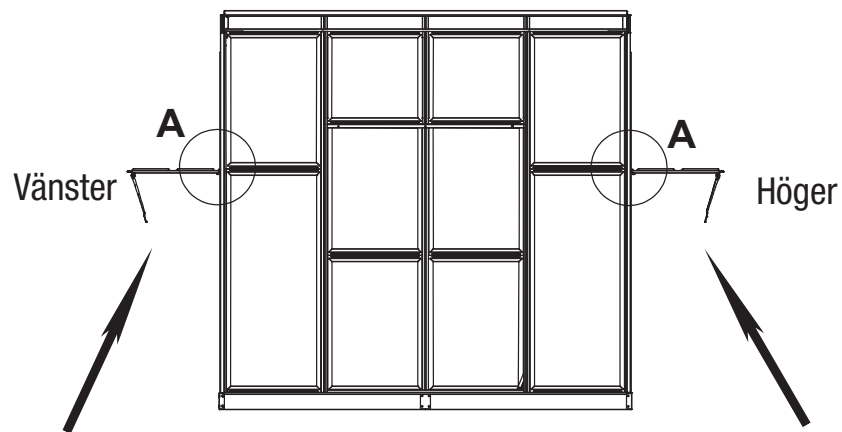
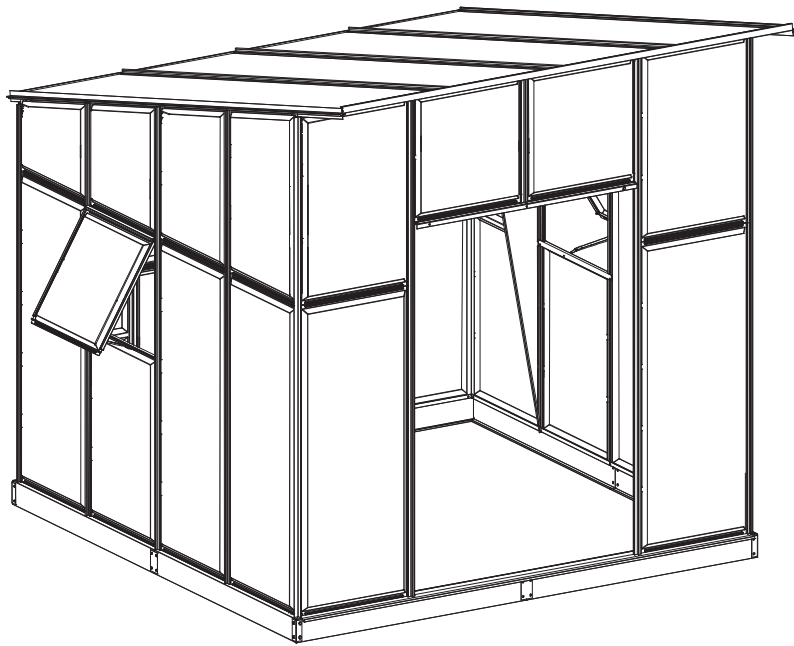
Fäst beslag nr 13 med skruvar

B

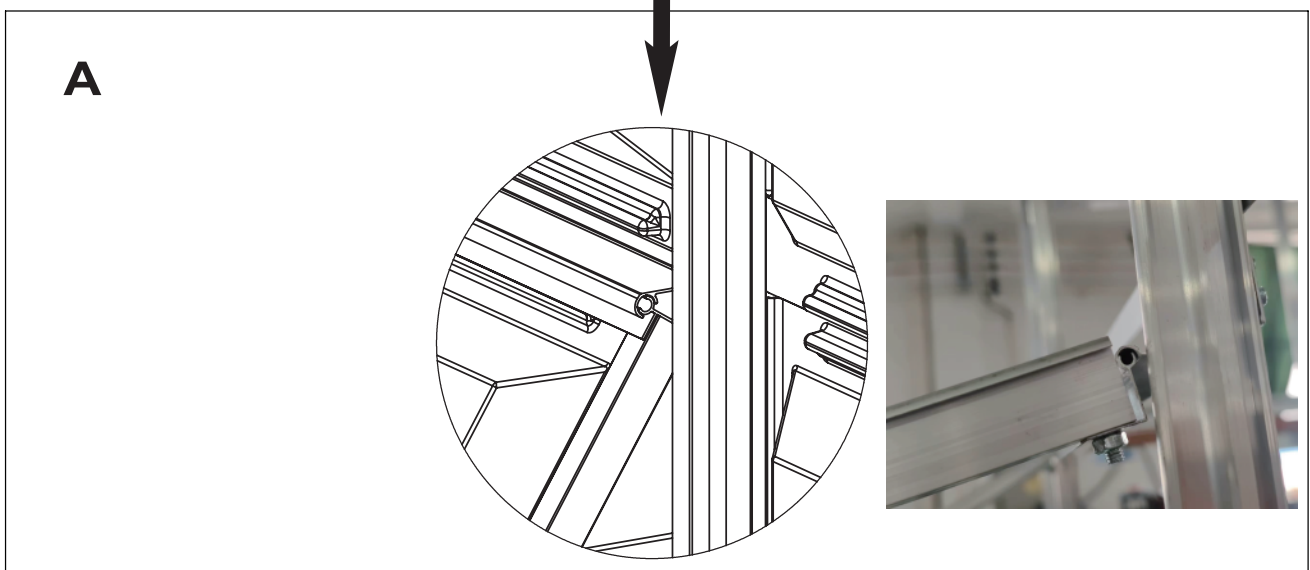


Fäst beslag nr 13 med skruvar

CELLO

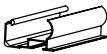


Sätt fast fönster på vänster och höger sida

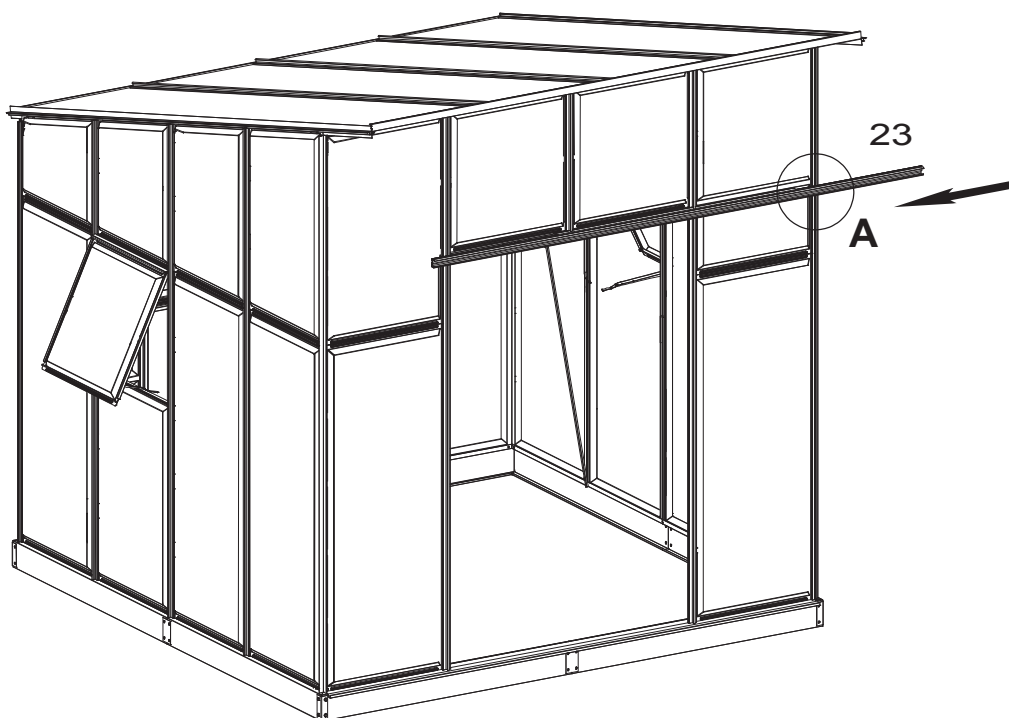


CELLO

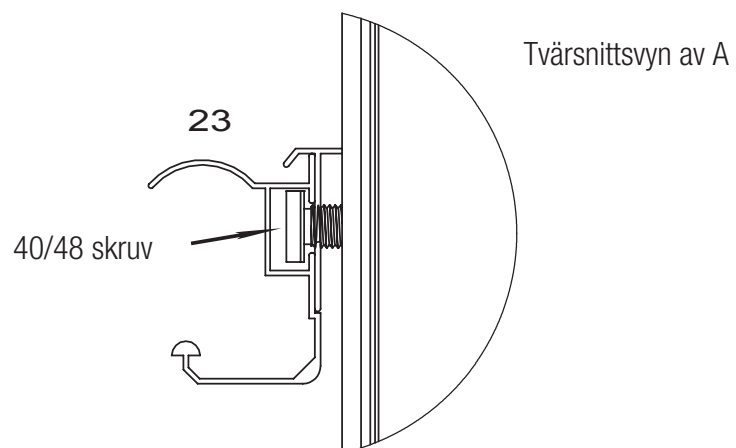
MONTERING AV SKENA FÖR SKJUTDÖRR

Art.Nr.	Ant.	Bild	Mått (mm)
23	1ST.		2406

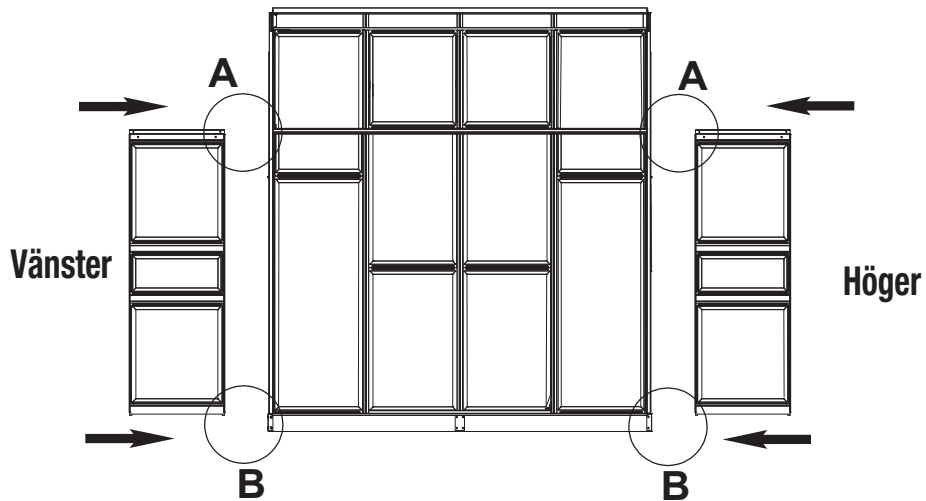
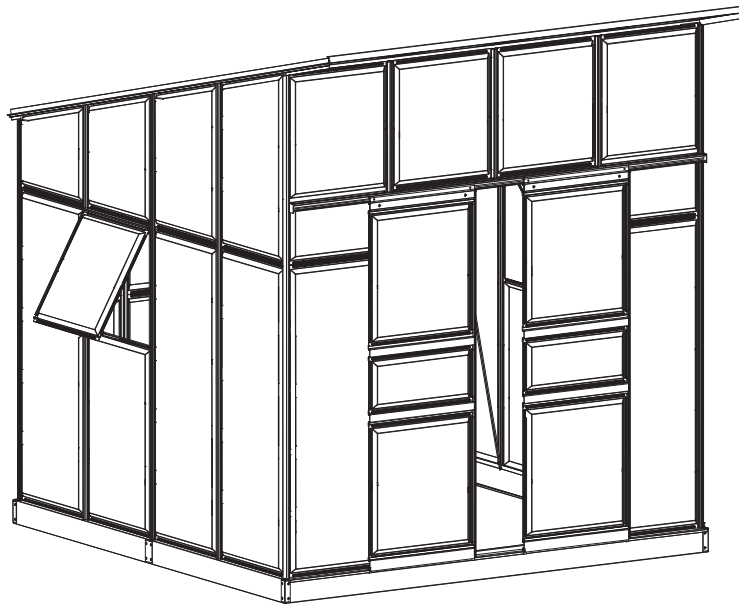
Sätt i beslag 23 i den riktning som pilen visar



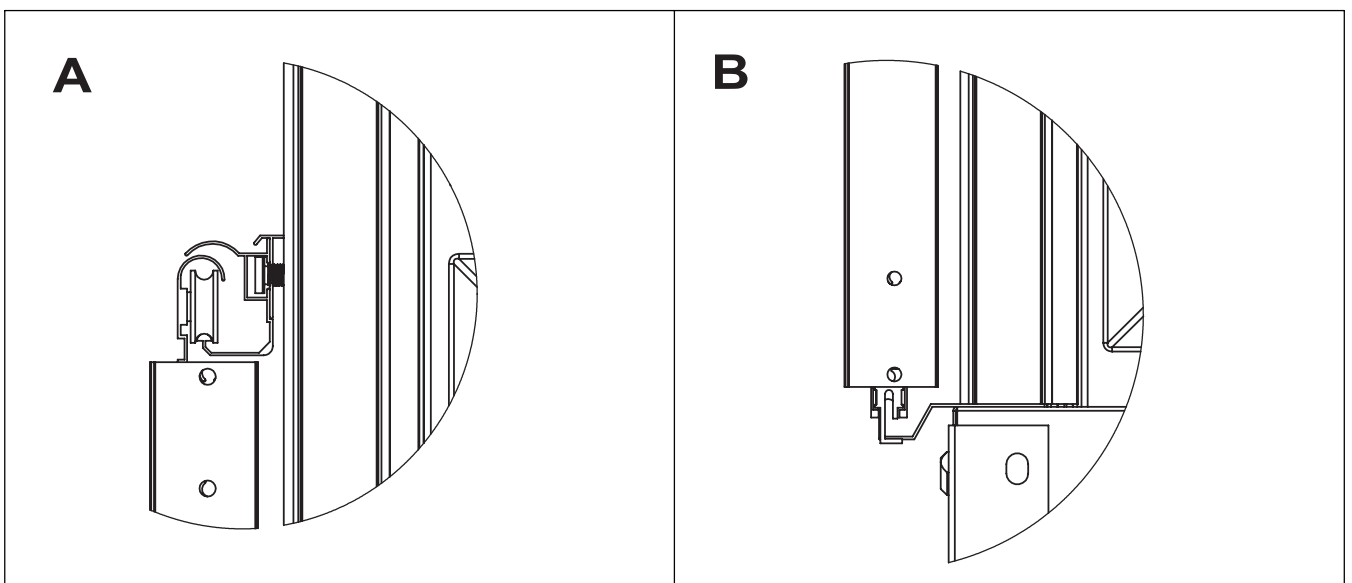
A



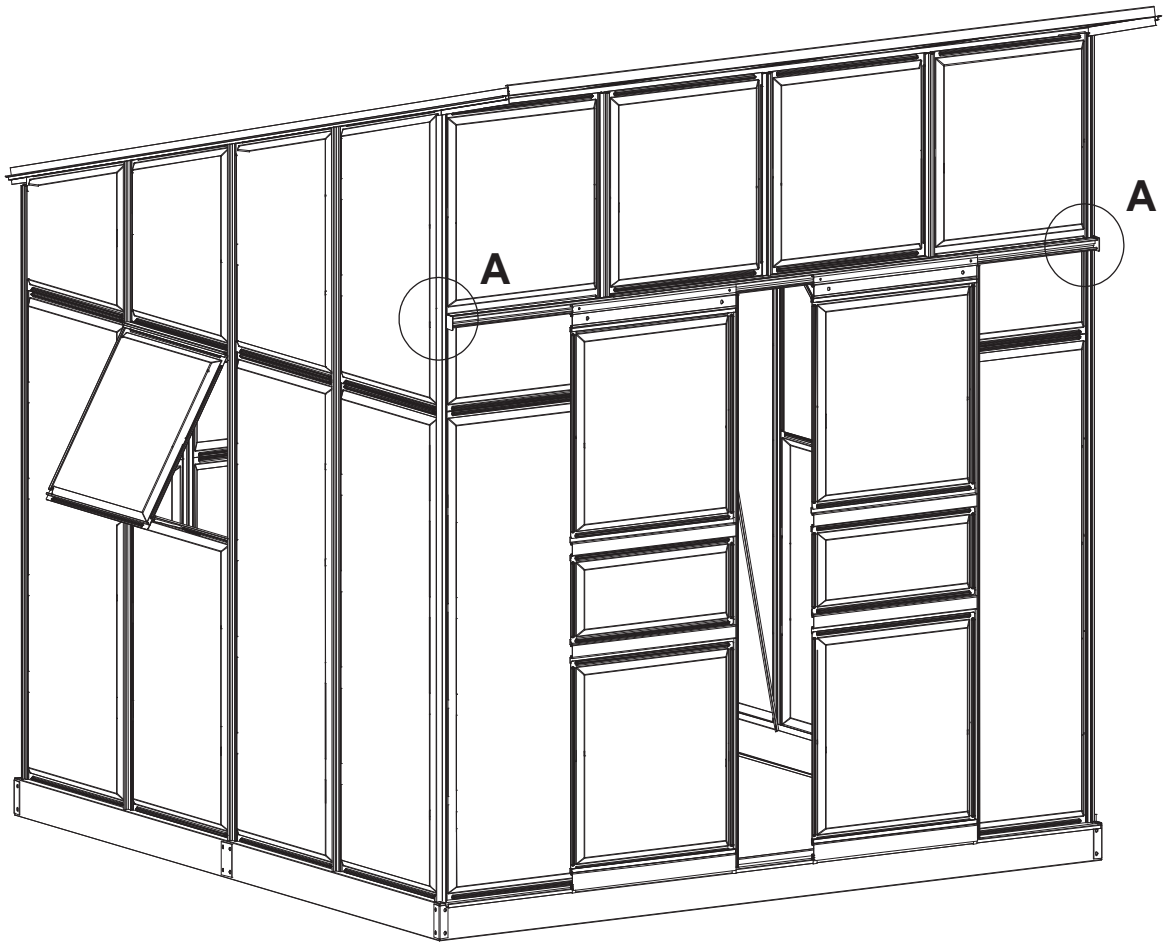
CELLO



Sätt fast skjutdörren i den riktning som pilen visar

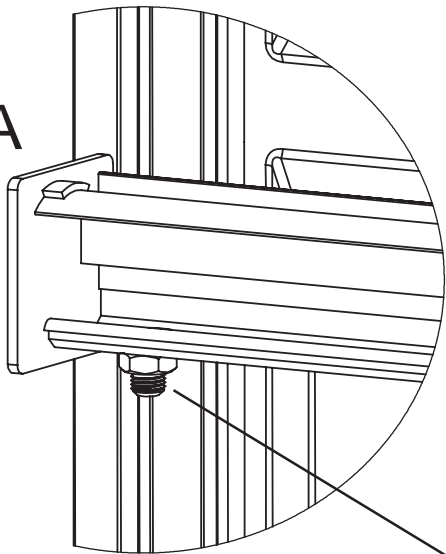


CELLO

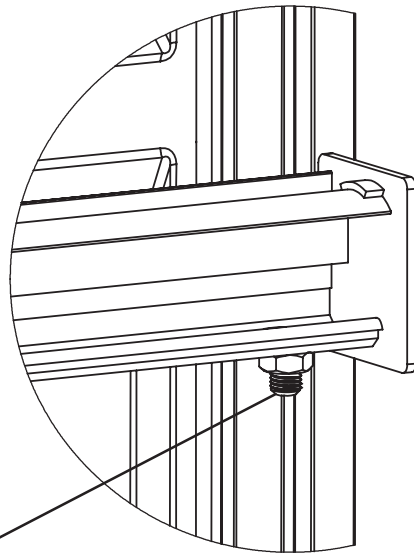


A

45A



45B



Varje sida behöver en skruv 40/48, dess för att förhindra att dörren glider.

CELLO

NO

Generelle instruksjoner

1. Du må lese disse instruksjonene nøye før du begynner å montere dette drivhuset.
2. Det er en flerdelt montering, noen monteringsstrinn krever to personer og monteringen kan ta 2–3 dager.
3. Velg et solrikt, flatt sted uten overhengende trær.
4. For å starte monteringen, ordne delene i numerisk rekkefølge ved siden av monteringsstedet.
5. Oppbevar små deler (skruer osv.) i bokser og poser slik at de ikke blir borte.
6. Verktøyene som du trenger for montering er en elektrisk skrutrekker/bor og et målebånd.
7. Hver del er nummerert og det samme nummeret finner du i monteringsanvisningen.
8. Stram skruene til deres fulle stramning kun når du er sikker på at monteringsstrinnet er utført riktig.
9. Gjennomsiktige konkave og konvekse polykarbonatplater brukes til vegger og mørke hule 4 mm polykarbonatplater brukes til tak.
10. Fjern beskyttelsesfilmen fra begge sider av vegg- og takpolykarbonatpanelene før du monterer dem på plass.
11. For veggpanel er Convex med UV-beskyttelse og skal ligge mot solen. For takpanel, indikerer hvit beskyttelsesfilm på 4,0 mm takpaneler den UV-beskyttede siden av panelet. Denne skal ligge mot solen. Tips! Etter å ha fjernet beskyttelsesplasten, av takplatene kan du lage et lite merke på den UV-beskyttede siden med en tusj slik at den UV-beskyttede siden ikke blir blandet sammen når du monterer takplaten på plass.



Den grønne beskyttelsesfilmen på 0,7 mm veggplater viser til den UV-beskyttede siden av platen.



Den gjennomsiktige beskyttelsesfilmen på 0,7 mm veggplater viser til den siden av platen som ikke er UV-beskyttet.



Den hvite beskyttelsesfilmen på 4,0 mm takplater viser til den UV-beskyttede siden av platen.



Den gjennomsiktige beskyttelsesfilmen på 4,0 mm takplater viser til den siden av platen som ikke er UV-beskyttet.

12. Håndter vegg- og takplatene i polykarbonat med spesiell forsiktighet slik at de ikke får riper under monteringen.

Sikkerhetsinstruksjoner

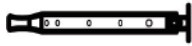





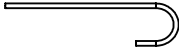
1. Vi anbefaler å bruke hansker og vernebriller under montering.
2. Hold barn unna monteringsområdet.
3. Ikke installer drivhuset ved vind eller våte forhold.
4. Hvis du bruker stige eller elektrisk verktøy må du følge produsentens sikkerhetsråd.
5. Når du installerer deler over deg, er det viktig med beskyttelse mot potensielt fallende deler.
6. Sørg for at drivhuset er godt nok forankret i bakken. Hvis det er dårlig forankring, kan en sterk vind lett skade drivhuset
7. Ved lyn anbefaler vi på det sterkeste å ikke oppholde seg i drivhuset, fordi skjelettet av aluminiumslegering er ledende.

Vedlikeholdsinstruksjoner
















1. Hvis bakken ikke er jevn, kan drivhusrammen bli skadet. Sørg for at drivhuset alltid står rett.
2. Unngå overbelastning av rammen. Hvis det er snø skal denne fjernes i tide. Det kan alternativt brukes en solid treplate for å støtte polykarbonatsenteret inne i og i midten for å forhindre at snøen kollapser inn i drivhuset.
3. Ikke la noen slags klatrende frukt og grønnsaker vokse opp på drivhuset, ellers kan strukturen lett gå i stykker hvis det blåser og regner. Hvis koblingsstykket er utsatt for mye rust, bør skruene og koblingene byttes snarest.
4. Hold polykarbonatplatene borte fra ild for å unngå mykning og deformasjon.
5. Hold polykarbonaten ren, vanlig brukstid på polykarbonaten er 3 år, for ikke å påvirke lystransmittansen.
6. Ved uvær skal du sørge for at drivhuset er godt festet til bakken og at soltaket og døren forblir lukket. Om nødvendig, sikre drivhuset til nærliggende trær med et sterkt tau eller wire.
7. Kontroller at rammeskruene er stramme minst én gang i året
8. Bli taket rammet av stor snøbelastning om vinteren, kan takplatene tas av for vinteren.

Art.Nr.	Bilde	Antall	Størrelse (mm)	Art.Nr.	Bilde	Antall	Størrelse (mm)	
1A		1	2217	23		1	2406	
1B		1	2217	24		2	610	
2A		1	2954	25		28		
2B		1	2954	26		4		
3		2	1670	27		1	2408	
4		2	2230	28		2	1600	
5A		1	1957	28A		1	1600	
5B		1	1957	28B		1	1600	
6A		1	1829	29		6	1232	
6B		1	1829	30		3	2406	
7		3	1695	31		1	2406	
8		1	568	32		1	2406	
9A		1	2098	33		1	2406	
9B		1	2098	34		2	1232	
10			2	1765	35		2	
11			6	1720	36		2	
12		2	2400	37		4		
13		1	2400	38		6		
14		1	1176	39		12	568	
15		4	520	40		174		
16		2	635	41		4		
17		2	635	42		4		
18		3	2935	43		2		
19		2	590	44		12		
20		4	610	45A		1		
21		2	610	45B		1		
22		2	608					

CELLO

Art.Nr.	Bilde	Antall	Størrelse (mm)		Art.Nr.	Bilde	Antall	Størrelse (mm)
46		2						
47		2	590					
48		174						
49		4						
50		4						
51		1						
52		12						

PC-plater

Art.Nr.	Antall	Bilde	Størrelse (mm)	
P1	12PC		845x590	gjennomsiktige 0,7 mm plater for veggene
P2	8PC		1367x590	gjennomsiktige 0,7 mm plater for veggene
P3	2PC		595x590	gjennomsiktige 0,7 mm plater for veggene
P4	1PC		450x590	gjennomsiktige 0,7 mm plater for veggene
P5	1PC		590x590	gjennomsiktige 0,7 mm plater for veggene
P6	1PC		720x585	gjennomsiktige 0,7 mm plater for veggene
P7	1PC		590x853	gjennomsiktige 0,7 mm plater for veggene
P8	1PC		450x590	gjennomsiktige 0,7 mm plater for veggene
P9	1PC		585x590	gjennomsiktige 0,7 mm plater for veggene
P10	1PC		720x590	gjennomsiktige 0,7 mm plater for veggene
P11	1PC		590x855	gjennomsiktige 0,7 mm plater for veggene
P12	4PC		597x597	gjennomsiktige 0,7 mm plater for veggene
P13	2PC		605x240	0,7 mm plater for veggene
P14	4PC		2954x590	4 mm plate for taket
P15	2PC		590x540	gjennomsiktige 0,7 mm plater for veggene

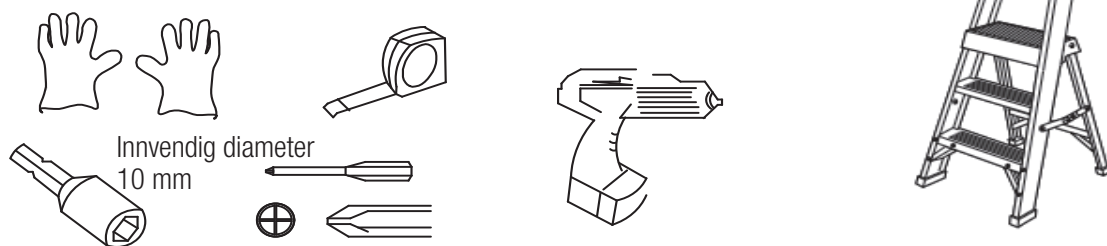


bilde av den gjennomsiktige 0,7 mm veggplaten



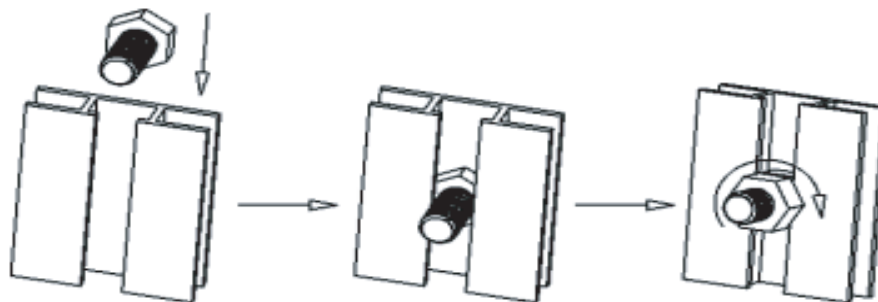
bilde av 4 mm takplate

Vi anbefaler å ha følgende verktøy tilgjengelige ved montering




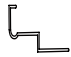






(pakken inkluderer én skiftenøkkel for å vri mutterne)

Slik skyver du skruene inn i sporene på aluminiumsskinnene

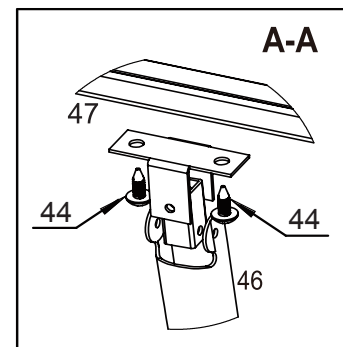
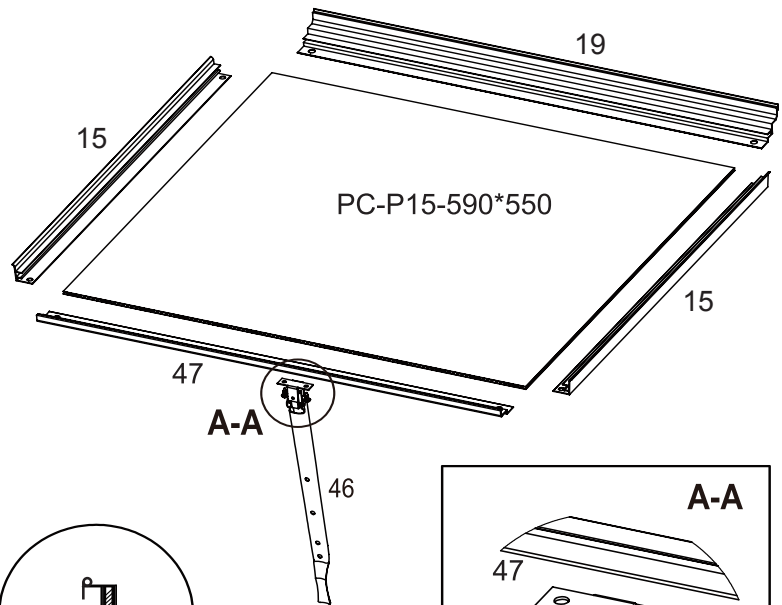


CELLO

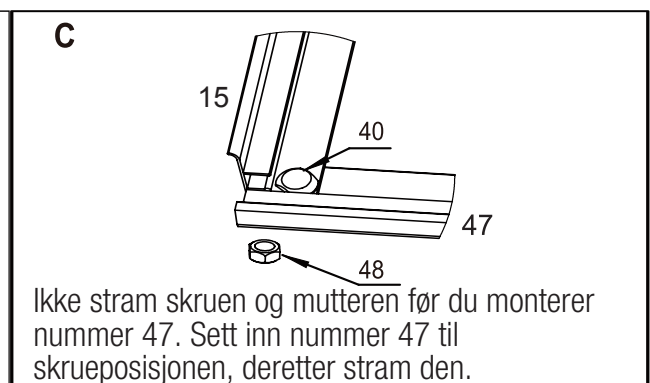
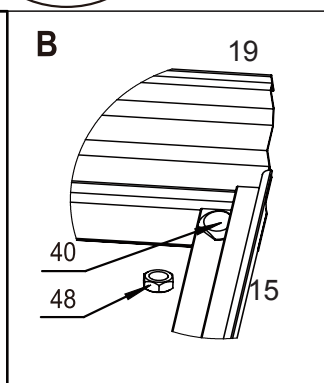
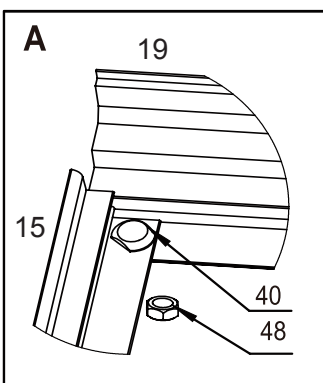
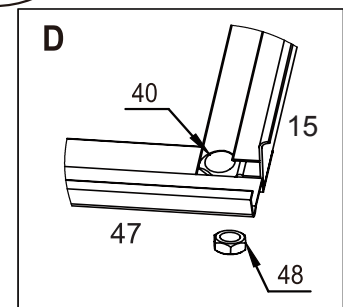
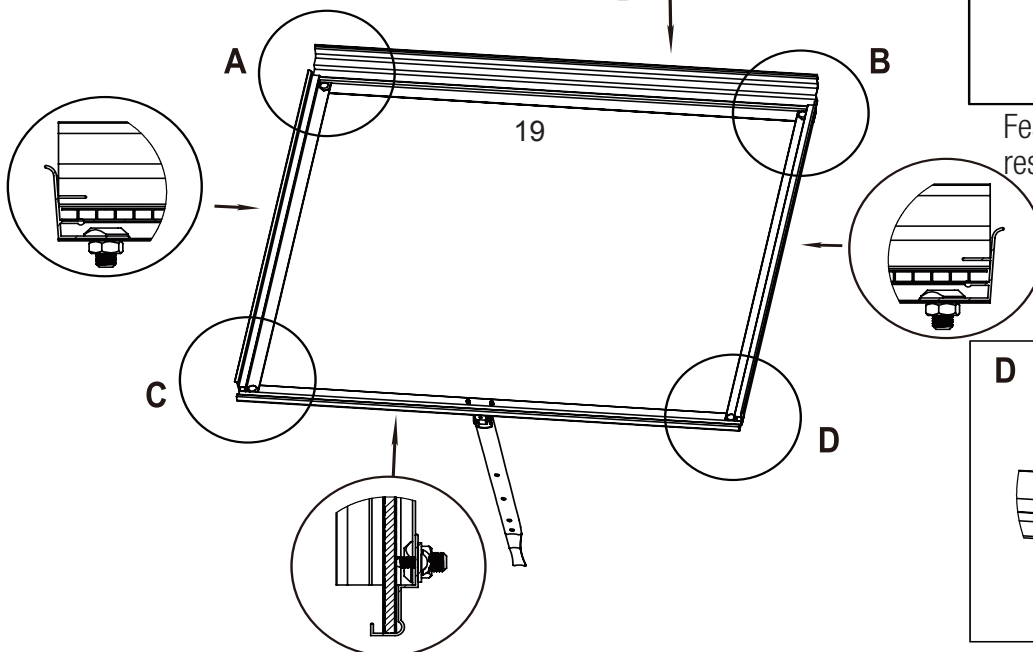
MONTERING AV VEGGVINDU

Art.Nr.	Antall	Bilde	Størrelse (mm)
15	4PC		520
47	2PC		590
19	2PC		595
40	8PC		
44	4PC		
46	2PC		
48	8PC		
P15	2PC		590x540

Vennligst sett ut delene som vist på bildet nedenfor, sett inn nummer 40 skruer fra topp til bunn, monter nummer 15 og nummer 19 først, monter deretter nummer 15 plate, neste trinn er å feste nummer 47



Fest braketten på skruehullet reservert til den



Siden med den grønne beskyttelsesfilmen med UV-beskyttelse bør ligge mot solen. Den transparente beskyttelsesfilmsiden uten UV-beskyttelse mot insiden av drivhuset.

CELLO

MONTER RAMMEN TIL SKYVEDØREN

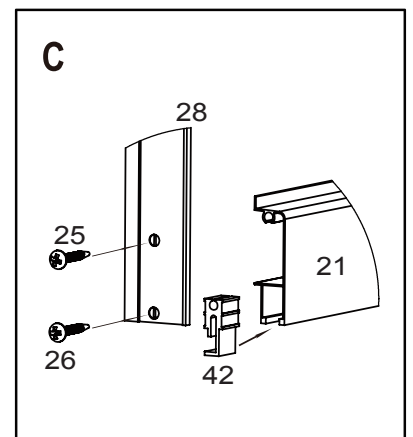
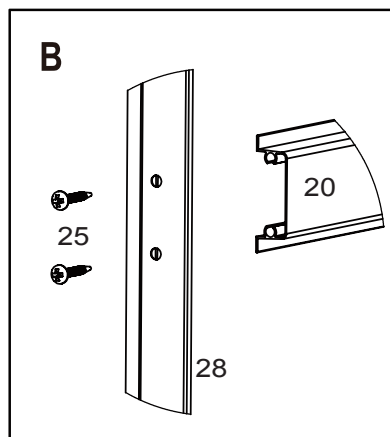
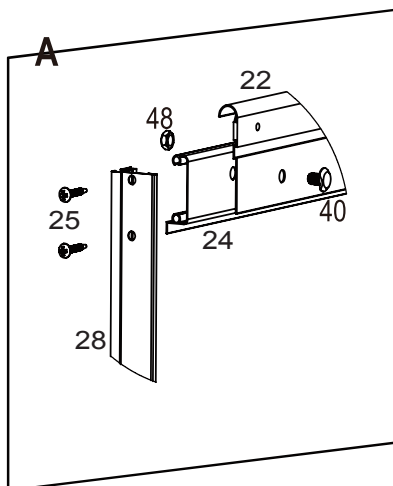
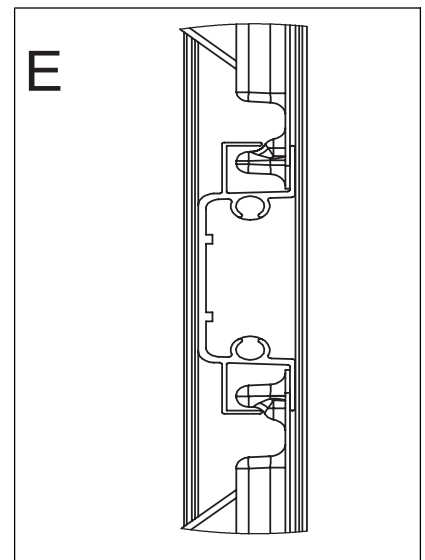
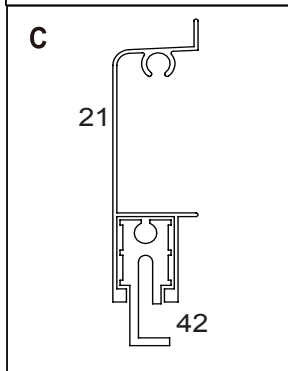
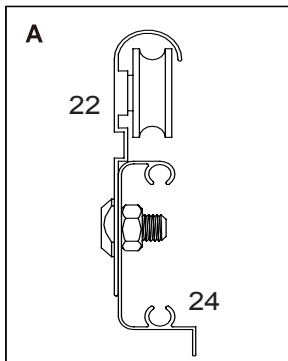
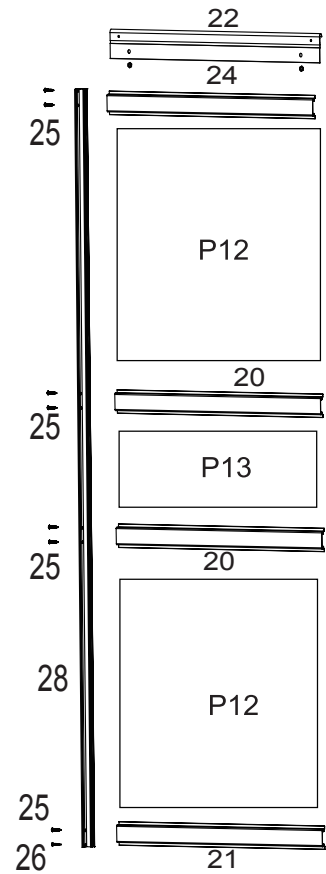
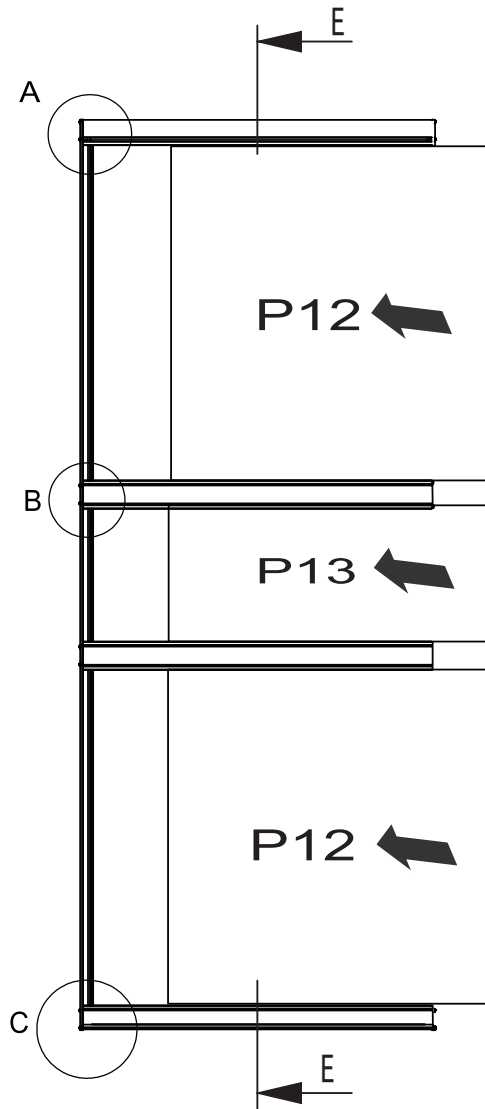
Art.Nr.	Antall	Bilde	Størrelse (mm)
20	1PC		610
21	1PC		610
22	1PC		608
24	1PC		610
28	1PC		1600
25	7PC		
26	1PC		
40	2PC		
42	2PC		
48	2PC		

Polykarbonatplater

P12	2PC		597x597
P13	1PC		605x240

Venstre dør

Installer tilbehør i A/b/C-rekkefølge først, og sett deretter inn 12/13 Polykarbonatplater






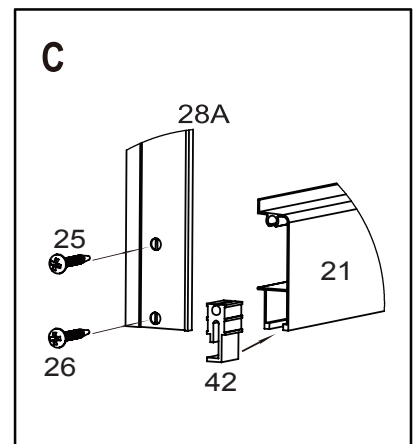
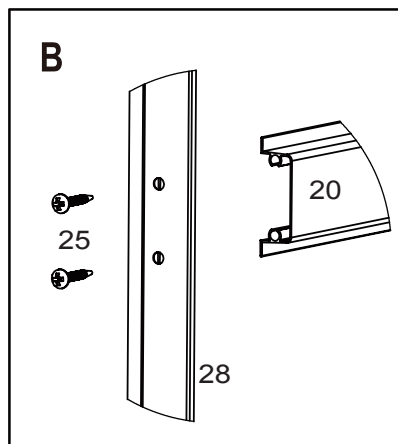
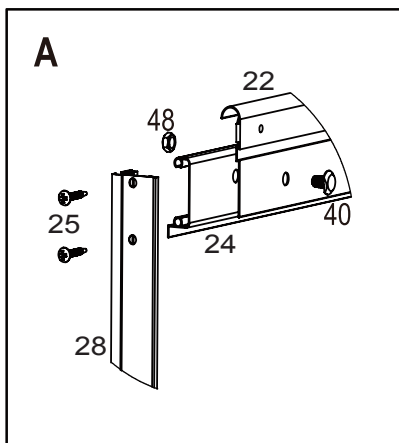
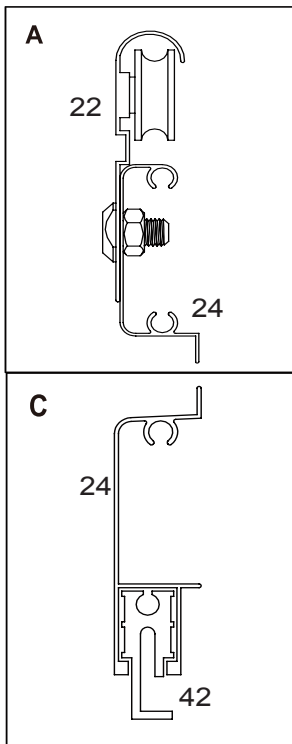
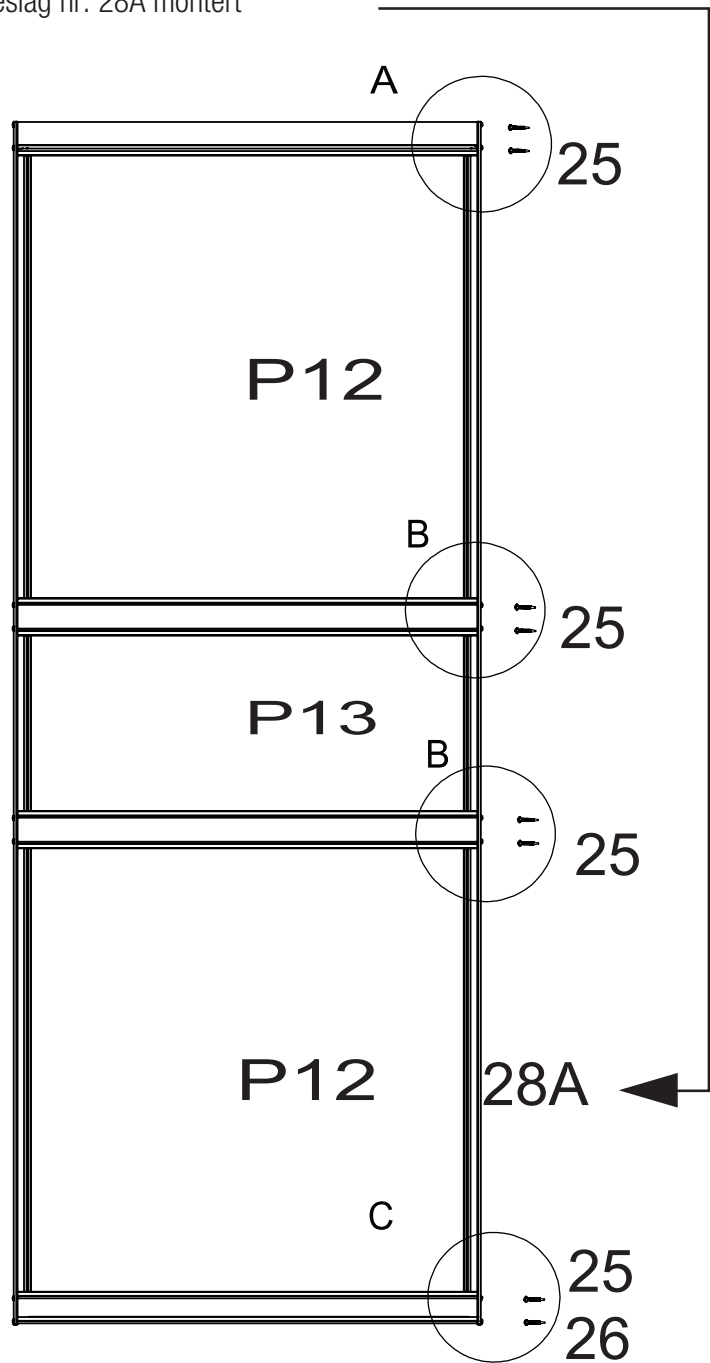
CELLO

Venstre dør

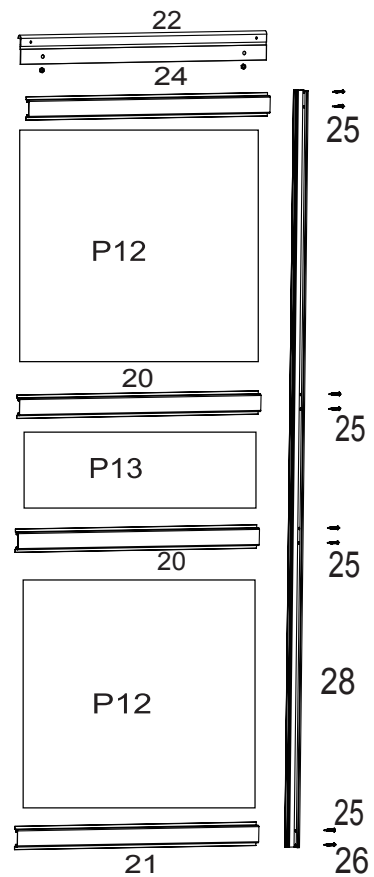
MONTER RAMMEN TIL SKYVEDØREN

Beslag nr. 28A monteret

Art.Nr.	Antall	Bilde	Størrelse (mm)
25	7PC		
26	1PC		
28A	1PC		1600

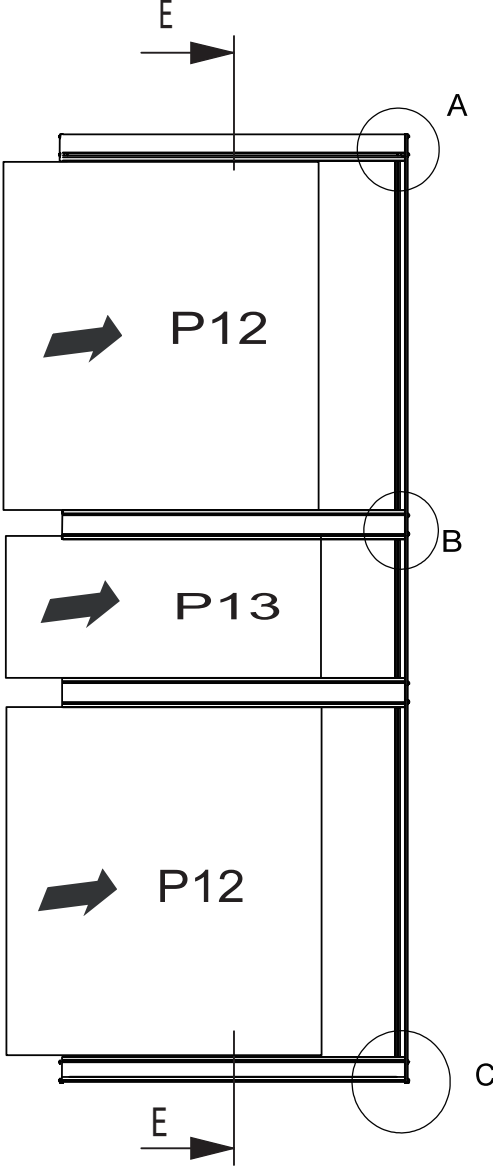


CELLO



Høyre dør

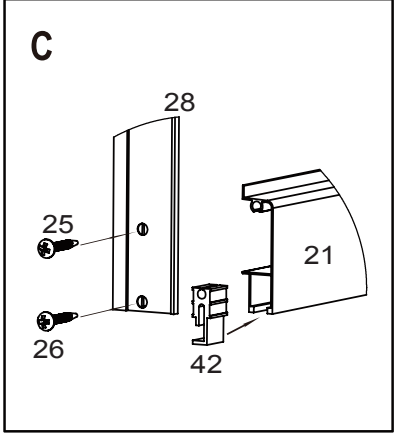
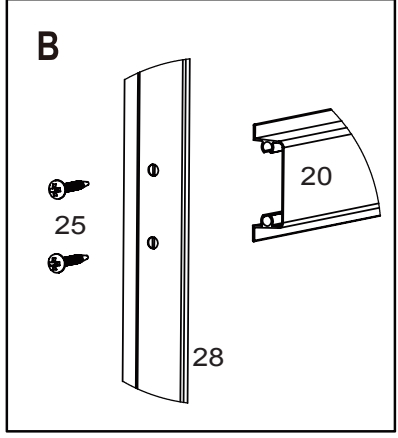
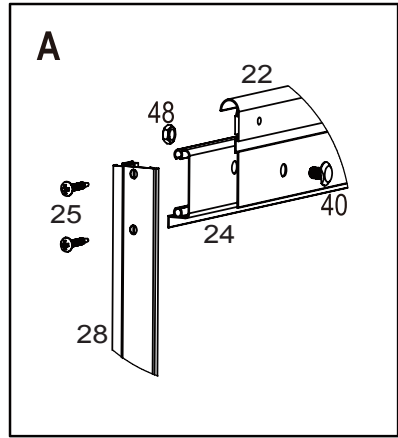
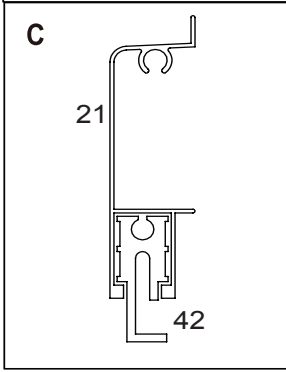
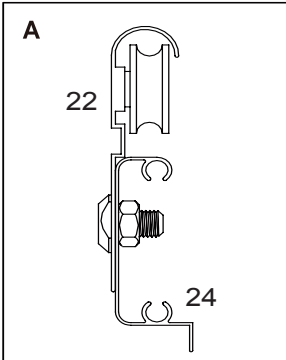
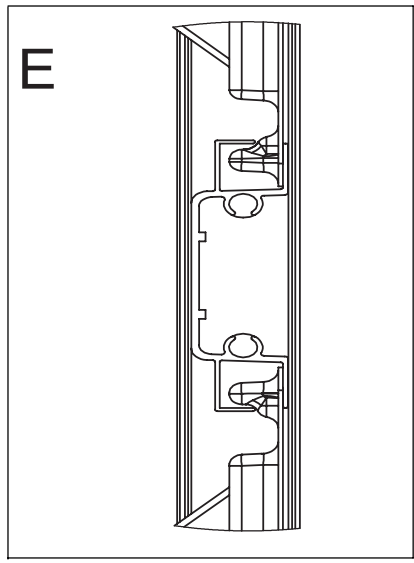
Installer tilbehør i A/b/C-rekkefølge først, og sett deretter inn 12/13 Polykarbonatplater



MONTER RAMMEN TIL SKYVEDØREN

Art.Nr.	Antall	Bilde	Størrelse (mm)
20	1PC		610
21	1PC		610
22	1PC		608
24	1PC		610
28	1PC		1600
25	7PC		
26	1PC		
40	2PC		
42	2PC		
48	2PC		

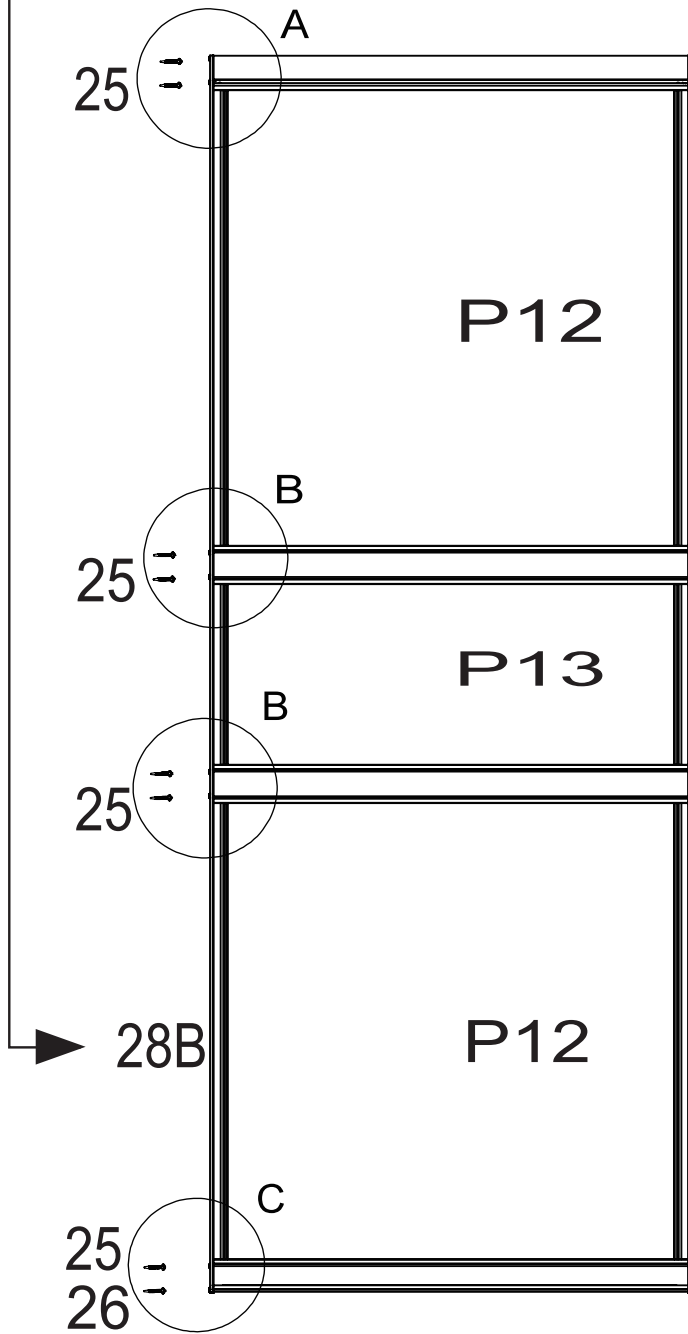
Polykarbonatplater			
P12	2PC		597x597
P13	1PC		605x240



CELLO

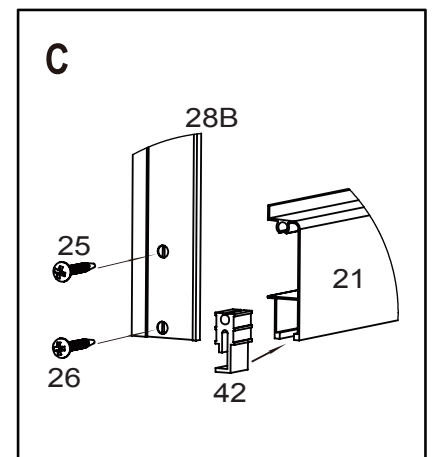
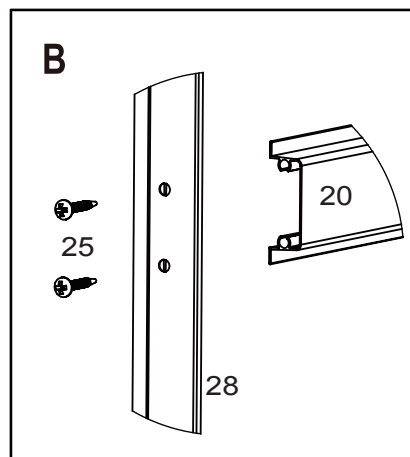
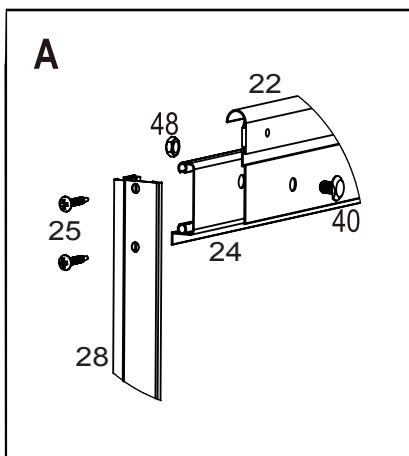
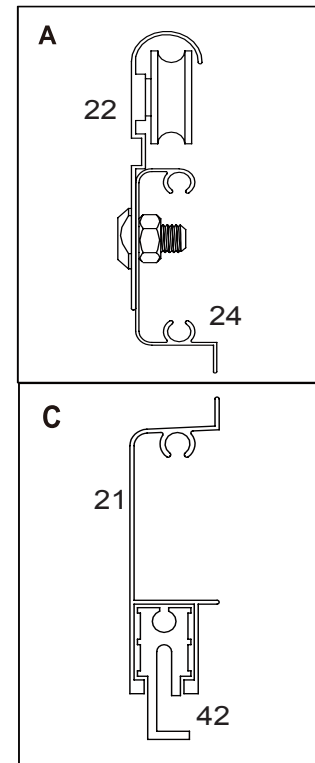
Høyre dør

Beslag nr. 28B montert



MONTER RAMMEN TIL SKYVEDØREN

Art.Nr.	Antall	Bilde	Størrelse (mm)
25	7PC		
26	1PC		
28B	1PC		1600



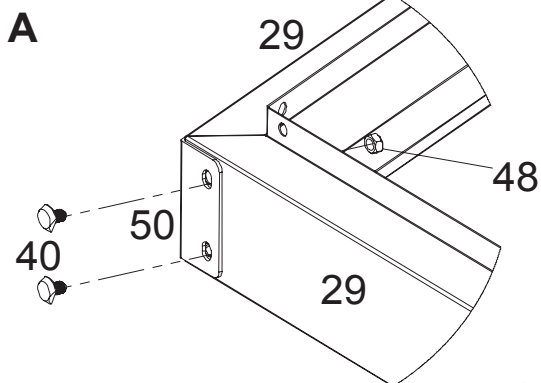
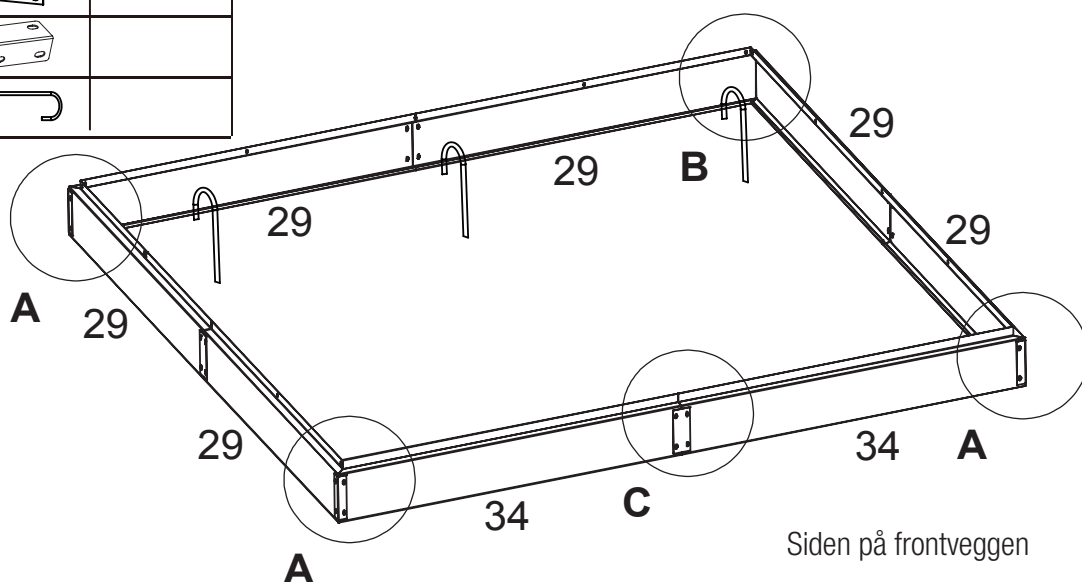
CELLO

MONTERING AV FUNDAMENTET

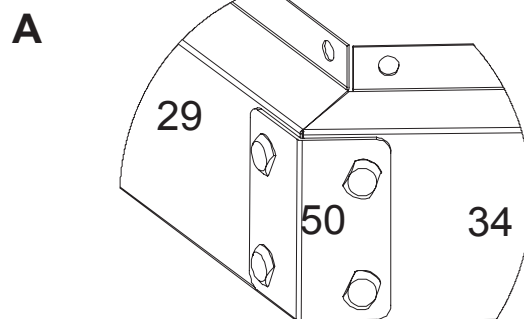
Art.Nr.	Antall	Bilde	Størrelse (mm)
29	6PC		1232
34	2PC		1232
40	32PC		
48	32PC		
49	4PC		
50	4PC		
52	12PC		

Basefeste

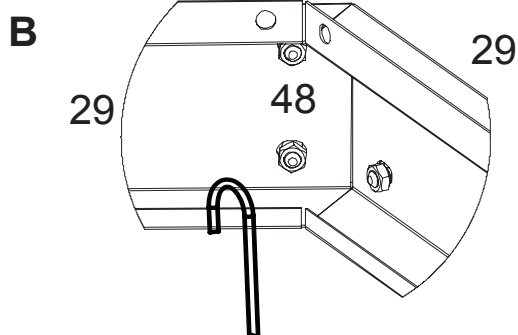
29/34-beslag kobles sammen med beslag-49/50, deretter festes fra utsiden med nr. 40 skrue og strammes med mutter nr. 48.



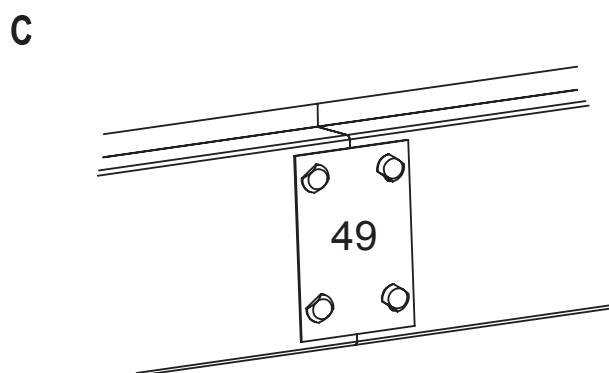
Tverrsnitt A er yttersiden. Vær oppmerksom på monteringsanvisningene 40 og 48



Del A er yttersiden, vær oppmerksom på monteringsretningen til nummer 34






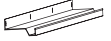


Tverrsnitt B er innsiden. Vær oppmerksom på 40 monteringsretningen



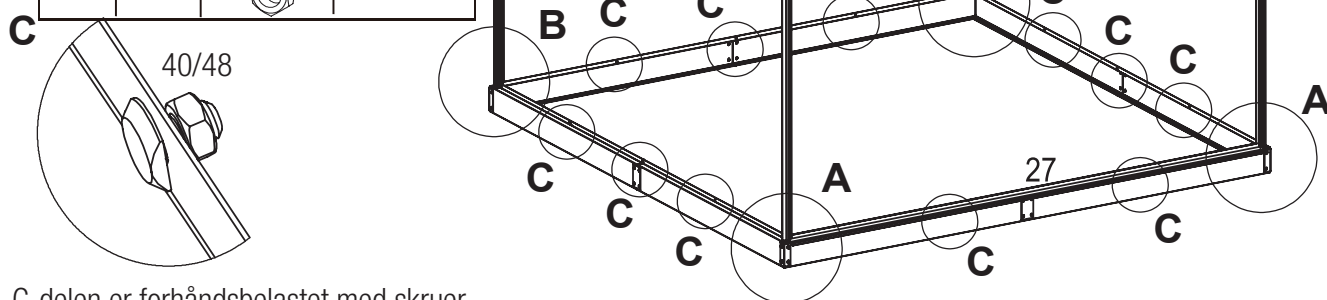
Del C er yttersiden, vær oppmerksom på monteringsretningen til nummer 49

CELLO

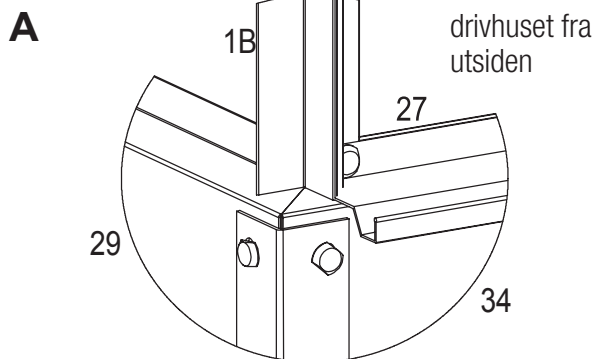
MONTER VEGGRAMMENE

Art.Nr.	Antall	Bilde	Størrelse (mm)
3	2PC		1670
1A	1PC		2217
1B	1PC		2217
27	1PC		2408
40	19PC		
48	19PC		

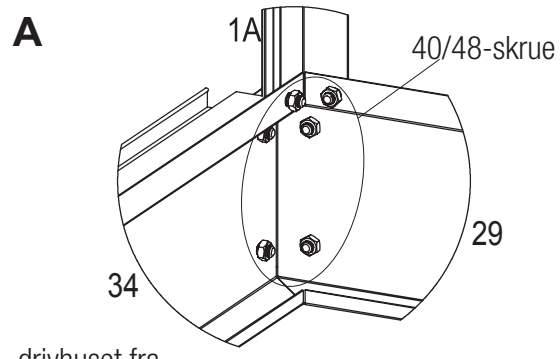
Det trengs to personer i denne monteringsfasen!



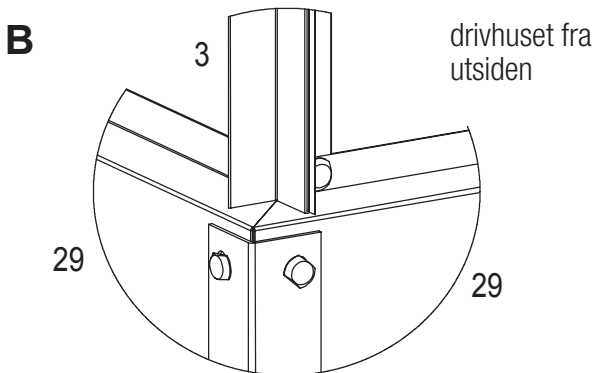
C-delen er forhåndsbelastet med skruer



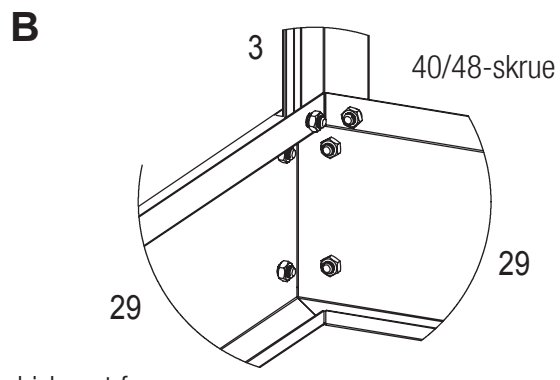
Beslag 1/27 er skrudd fast i sokkelen



drivhuset fra innsiden



Beslaget nr. 3 er festet på basen



drivhuset fra innsiden

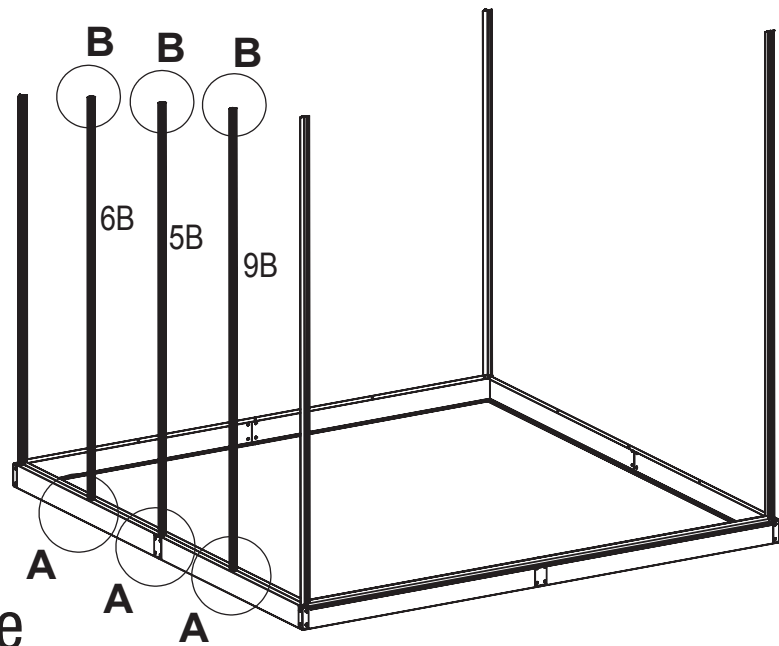
CELLO

MONTER VEGGRAMMENE



Art.Nr.	Antall	Bilde	Størrelse (mm)
5B	1PC		1957
6B	1PC		1829
9B	1PC		2098
40	6PC		
48	6PC		

Det trengs to personer i denne monteringsfasen!

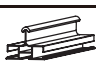
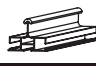

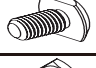



Venstre

<p>A</p> <p>6B 5B 9B drivhuset fra utsiden</p> <p>29</p> <p>5B/6B/9B er festet til basen</p>	<p>A</p> <p>6B 5B 9B drivhuset fra innsiden</p> <p>40/48-skrue</p> <p>29</p>
<p>B</p> <p>40/48</p> <p>5B/6B forhåndsinntilt 2 skruer</p> <p>B-delen er forhåndslastet med skruer</p>	

CELLO

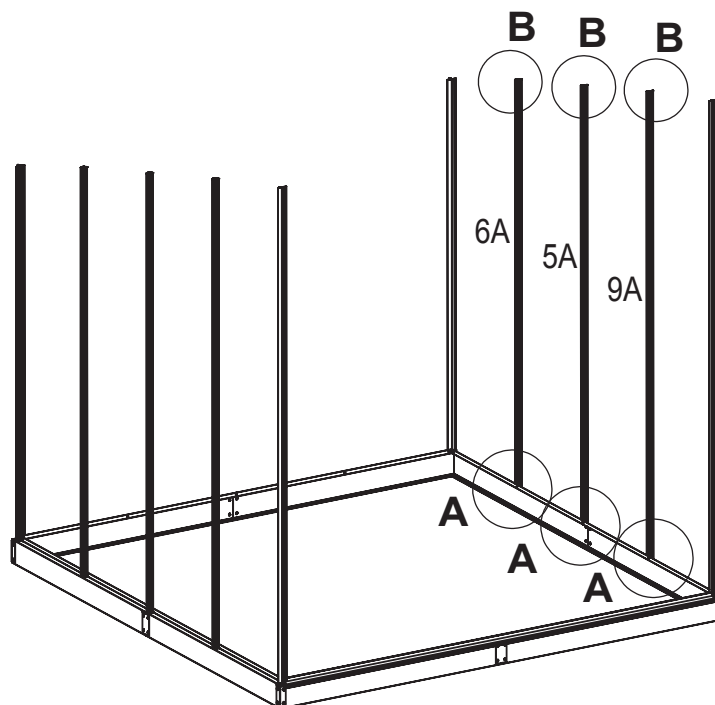
MONTER VEGGRAMMENE

Art.Nr.	Antall	Bilde	Størrelse (mm)
5A	1PC		1957
6A	1PC		1829
9A	1PC		2098
40	6PC		
48	6PC		

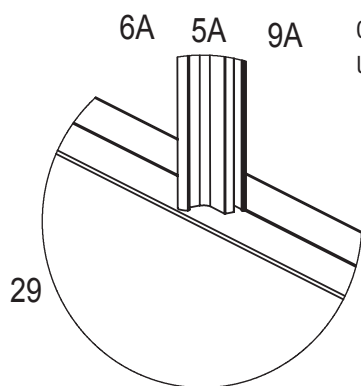


Det trengs to personer i denne monteringsfasen!

Høyre

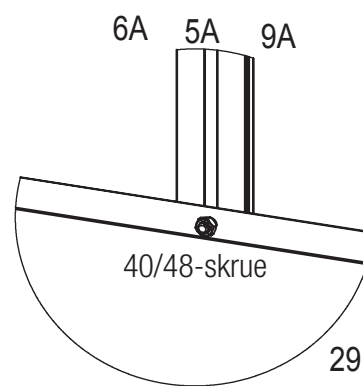


A



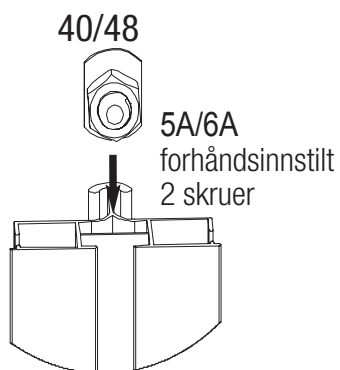
5B/6b/9b er festet til basen

A



drivhuset fra innsiden

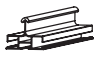
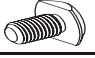

B



B-delen er forhåndslestet med skruer

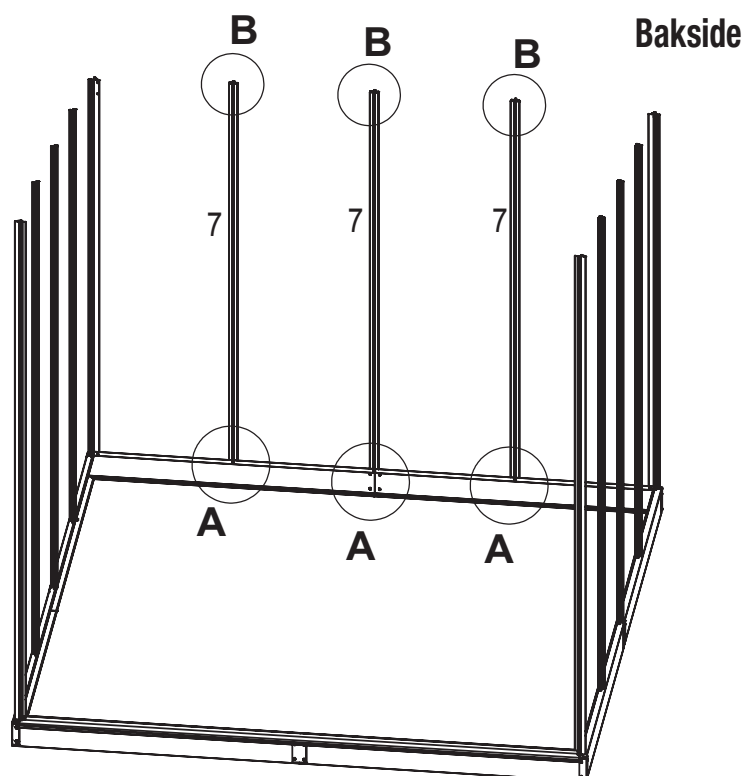
CELLO

MONTER VEGGRAMMENE

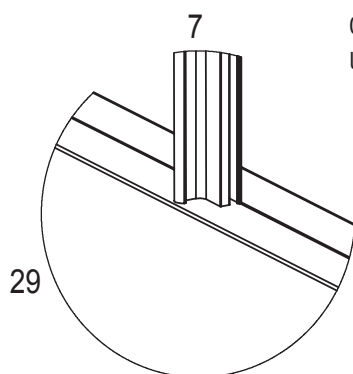
Art.Nr.	Antall	Bilde	Størrelse (mm)
7	1PC		1695
40	6PC		
48	6PC		



Det trengs to personer i denne monteringsfasen!



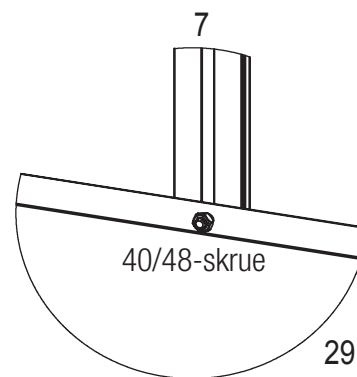
A



drivhuset fra
utsiden

Beslaget nr. 7 er festet på basen

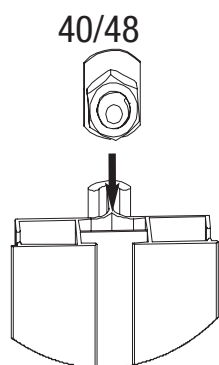
A



drivhuset fra
innsiden

40/48-skrue

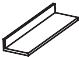



B



B-delen er forhåndslestet med skruer

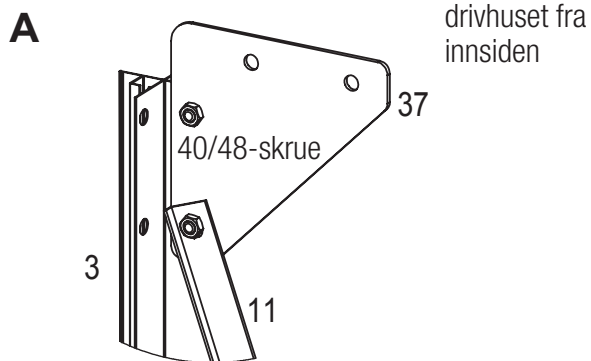
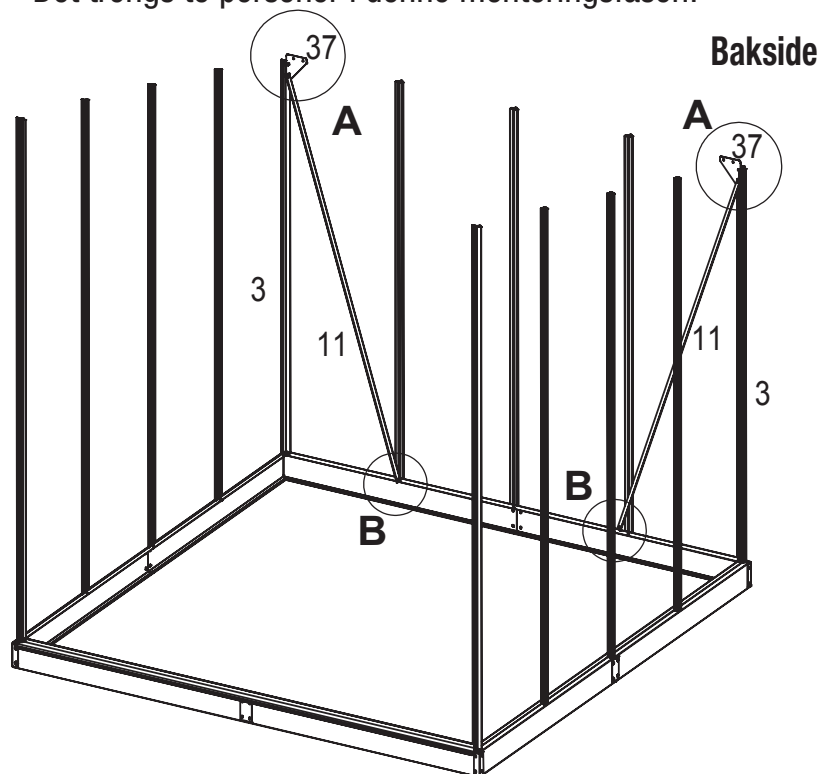
CELLO

MONTER VEGGRAMMENE

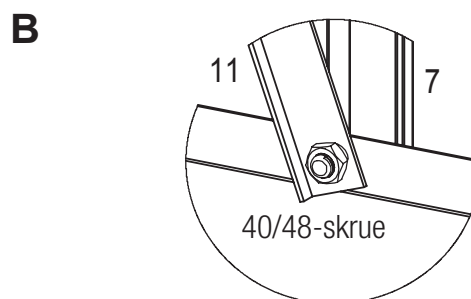
Art.Nr.	Antall	Bilde	Størrelse (mm)
11	2PC		1720
37	2PC		
40	6PC		
48	6PC		



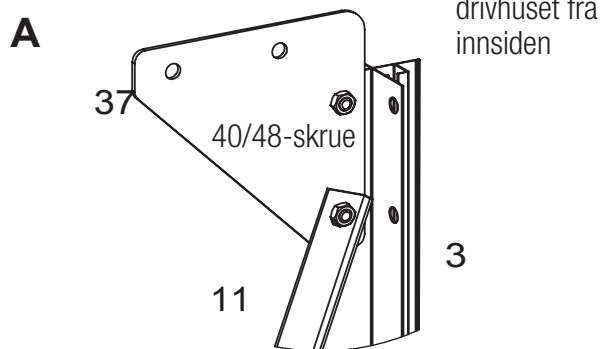
Det trengs to personer i denne monteringsfasen!



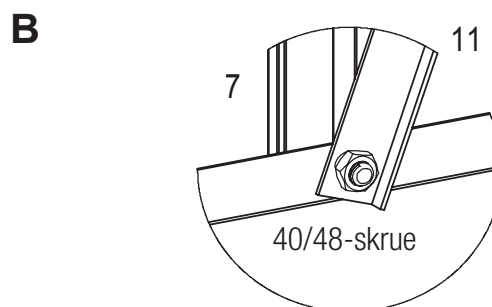
Beslag nr. 37 først, beslag nr. 11 neste



drivhuset fra innsiden






Beslag nr. 37 først, beslag nr. 11 neste



drivhuset fra innsiden

CELLO

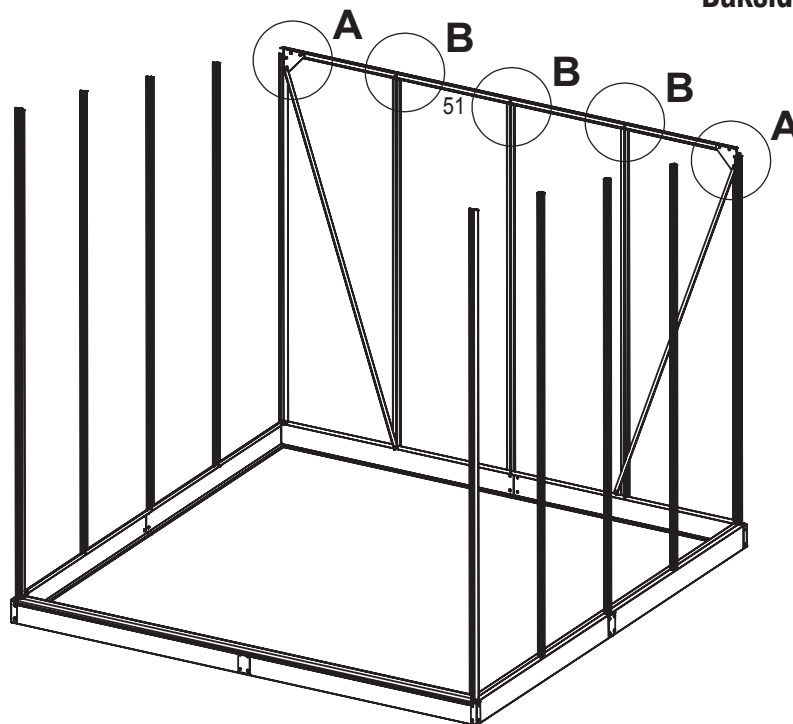
MONTER VEGGRAMMENE

Art.Nr.	Antall	Bilde	Størrelse (mm)
51	1PC		
40	4PC		
48	4PC		

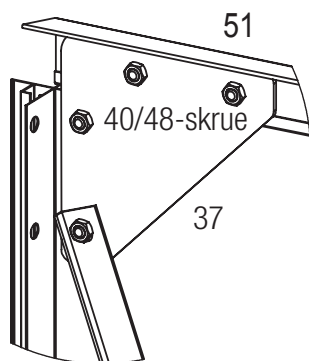


Det trengs to personer i denne monteringsfasen!

Bakside



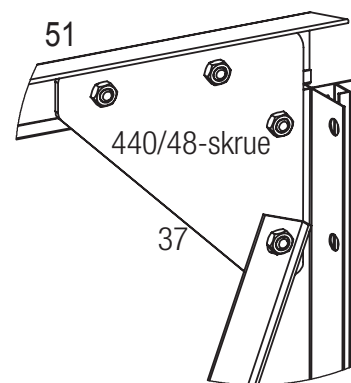
A



drivhuset fra
innsiden

Beslag nr. 51 er festet på nr. 37

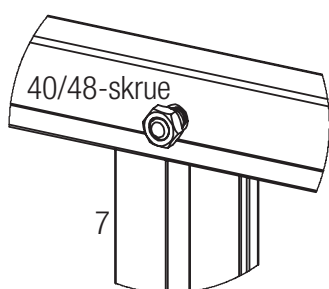
A



drivhuset fra
innsiden

Beslag nr. 51 er festet på nr. 37

B

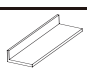
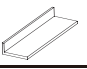





drivhuset fra
innsiden

Beslag nr. 51 er festet på nr. 7

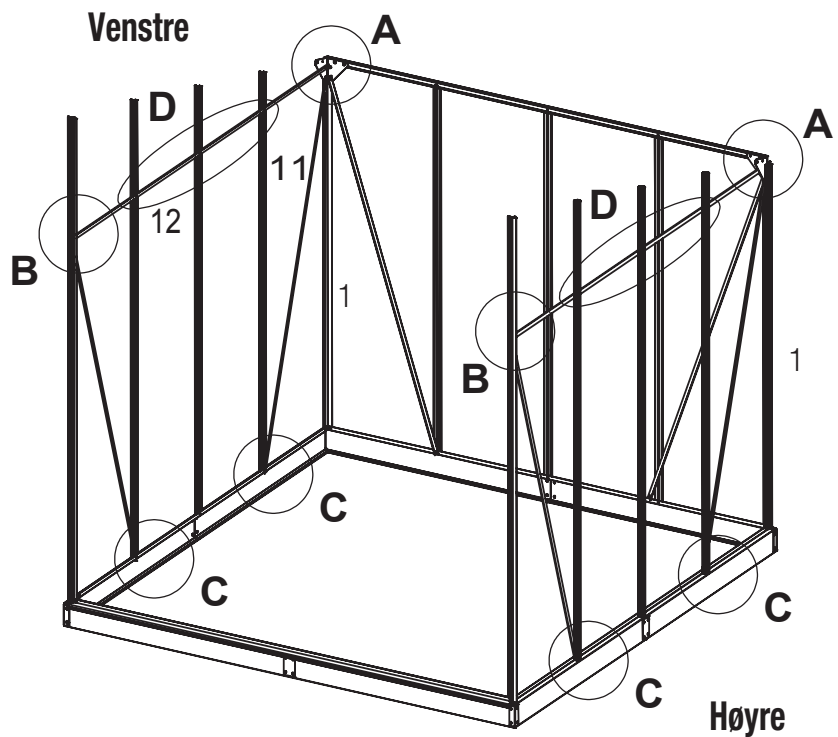
CELLO

MONTER VEGGRAMMENE

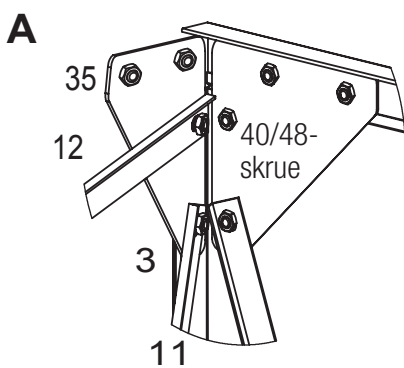
Art.Nr.	Antall	Bilde	Størrelse (mm)
11	4PC		1720
12	2PC		2400
35	2PC		
40	22PC		
48	22PC		



Det trengs to personer i denne monteringsfasen!

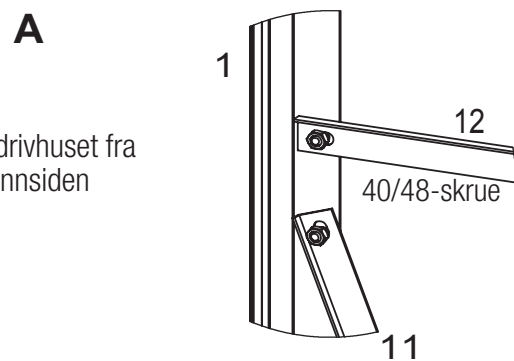


Beslag nr. 35 først med monteringsskrue



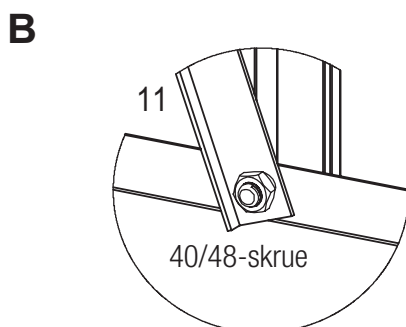
drivhuset fra
innsiden

Fest 11/12/35 sammen på beslag 3.
Vær oppmerksom på 11/12-monteringsposisjonen

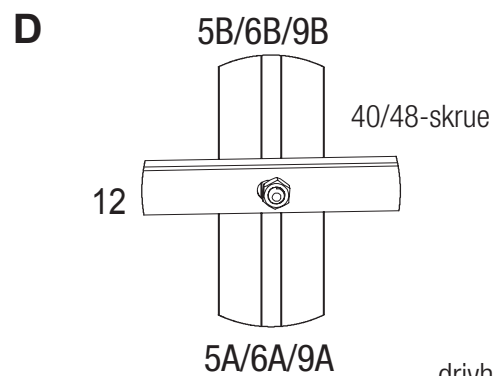


drivhuset fra
innsiden

11/12/festet sammen på beslag nr. 1



drivhuset fra
innsiden



drivhuset fra
innsiden

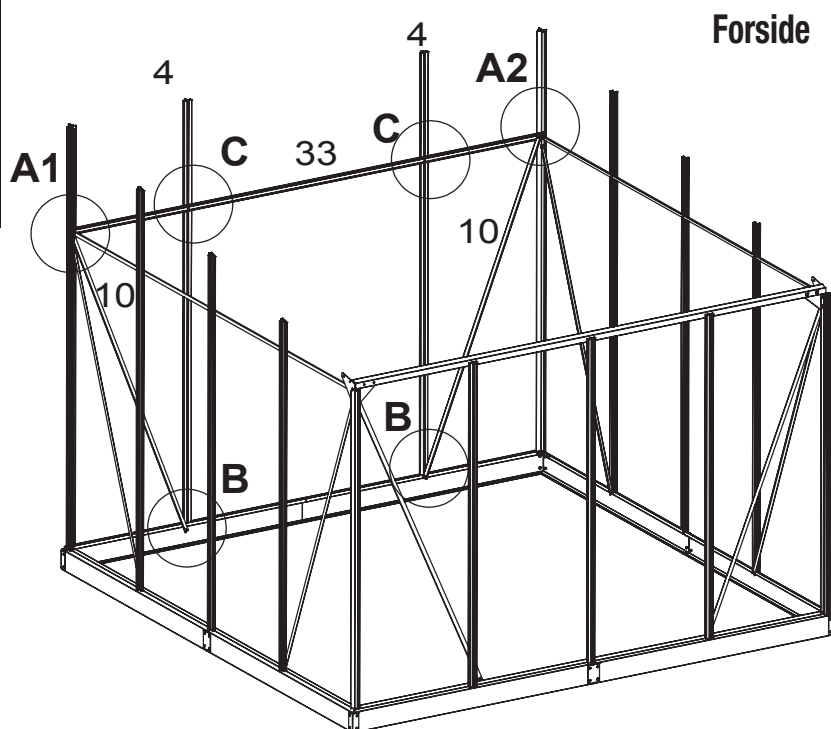
CELLO

MONTER VEGGRAMMENE



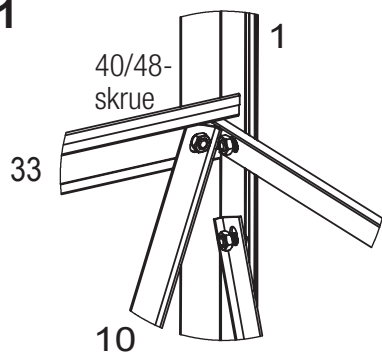
Art.Nr.	Antall	Bilde	Størrelse (mm)
4	2PC		2230
10	2PC		1765
33	1PC		2406
40	8PC		
48	8PC		

Det trengs to personer i denne monteringsfasen!



Forside

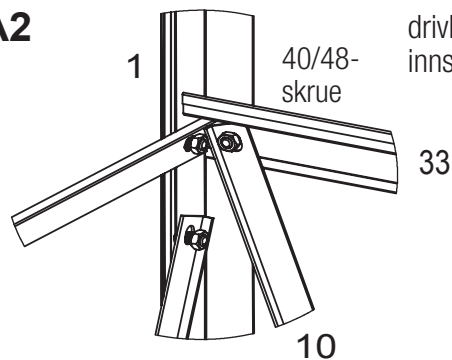
A1



drivhuset fra innsiden

10/33 festet sammen på beslag 1

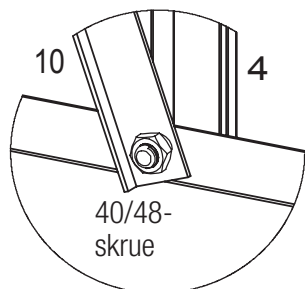
A2



drivhuset fra innsiden

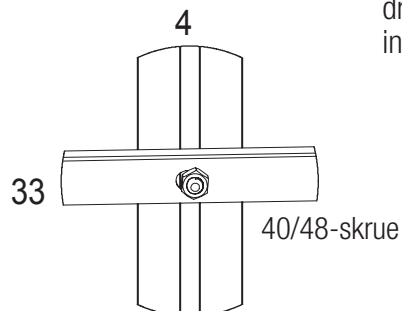
10/33 festet sammen på beslag 1

B



drivhuset fra innsiden

C



drivhuset fra innsiden

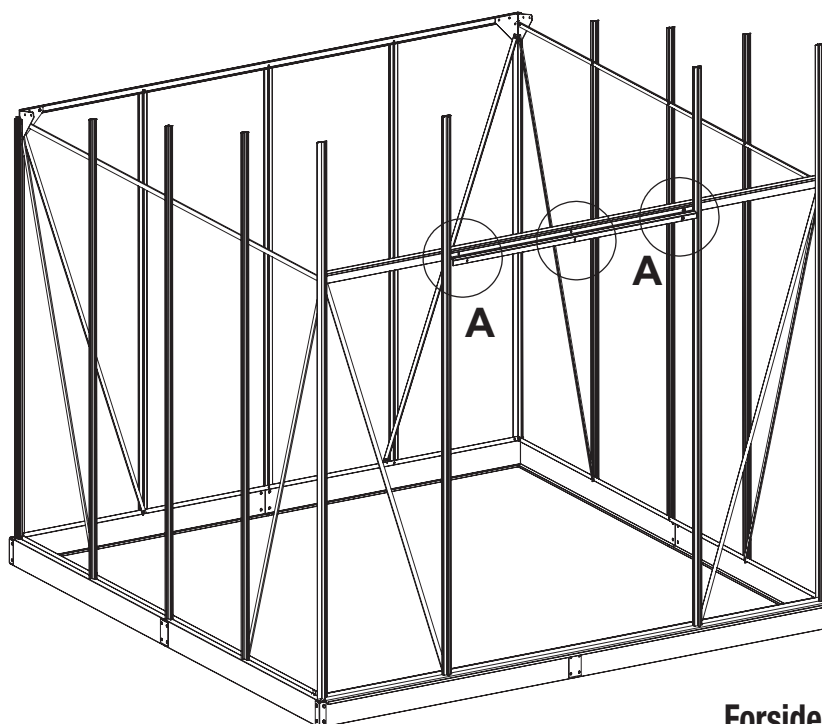
Nummer 33 er festet til nummer 4

CELLO

MONTER VEGGRAMMENE

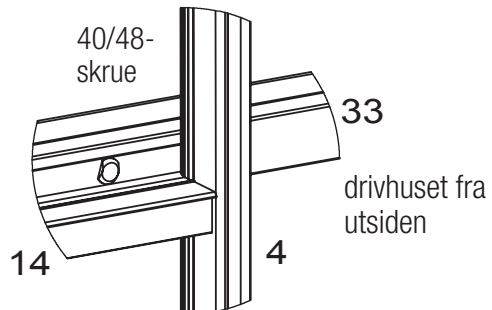


Art.Nr.	Antall	Bilde	Størrelse (mm)
14	1PC		1176
40	3PC		
48	3PC		



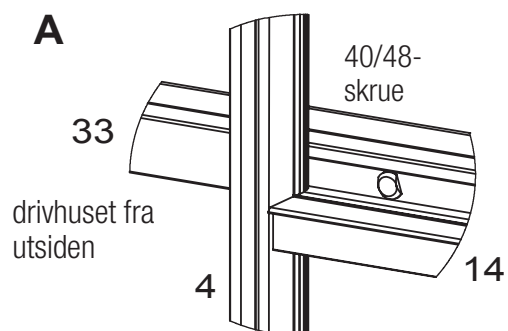
Forside

A



Nummer 14 er festet til nummer 33

A



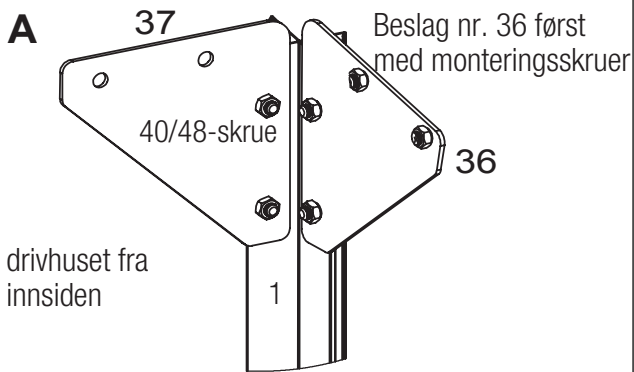
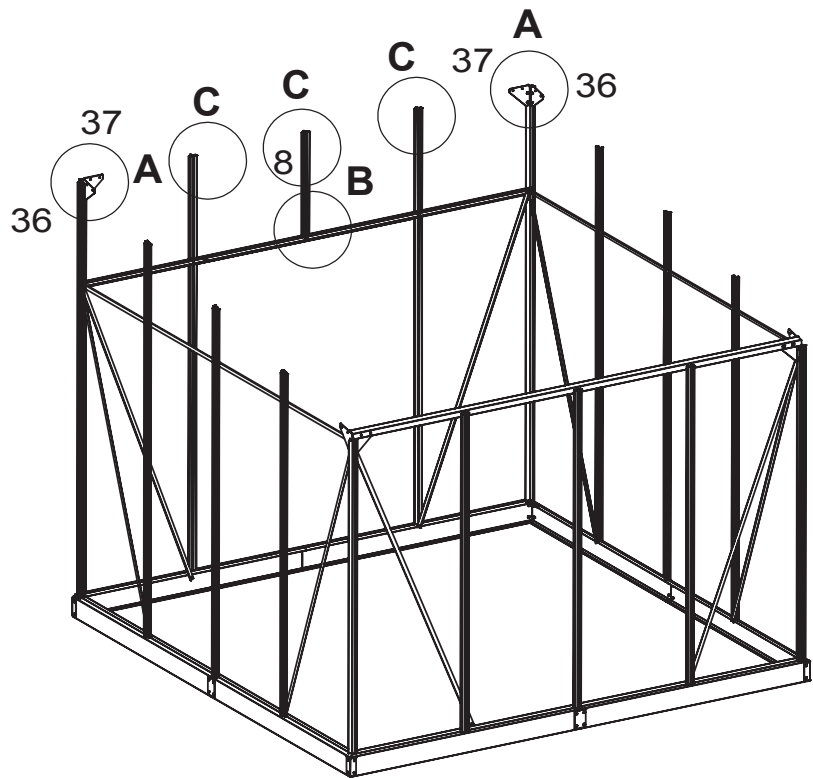
Nummer 14 er festet til nummer 33

CELLO

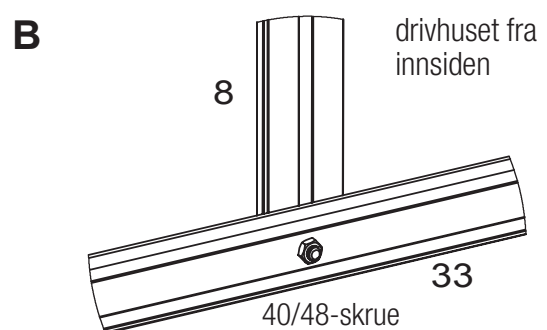
MONTER VEGGRAMMENE



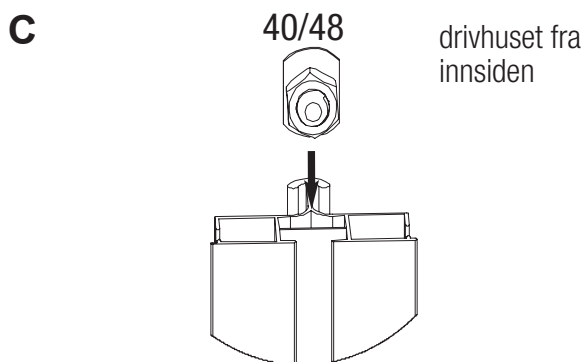
Art.Nr.	Antall	Bilde	Størrelse (mm)
8	1PC		568
36	2PC		
37	2PC		
40	16PC		
48	16PC		



Nr. 36/37 er festet til nr. 1 beslag



Nummer 8 er festet til nummer 33



C-delen er forhåndsbelastet med skruer

CELLO

MONTERING AV POLYKARBONATPLATER TIL VEGG



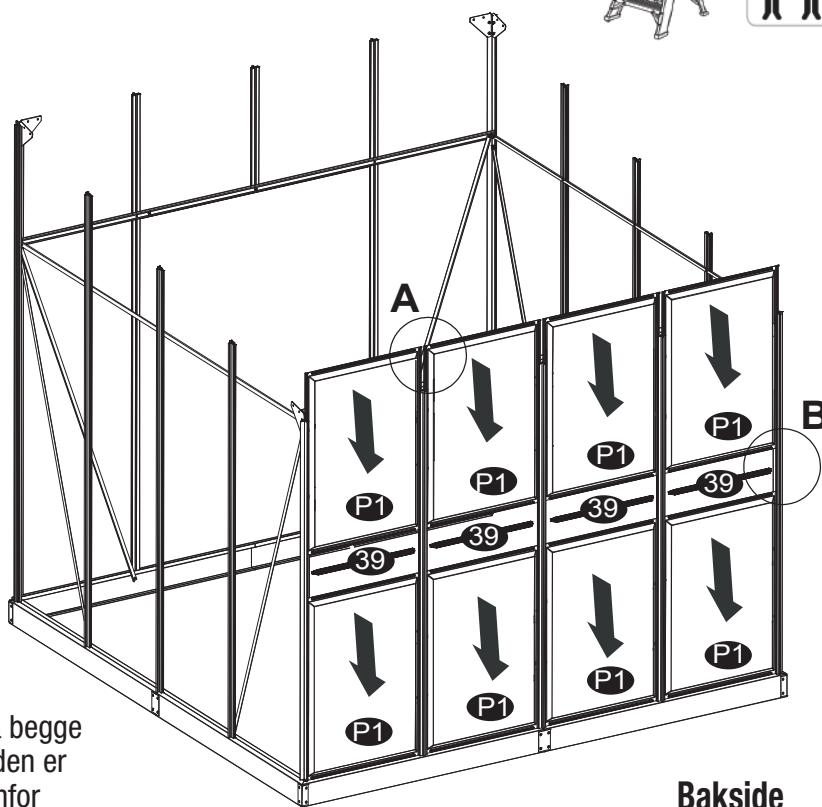
Art.Nr.	Antall	Bilde	Størrelse (mm)
P1	8PC		845x590
39	4PC		568



Den grønne beskyttelsesfilmen på 0,7 mm veggplater viser til den UV-beskyttede siden av platen.



Den gjennomsiktige beskyttelsesfilmen på 0,7 mm veggplater viser til den siden av platen som ikke er UV-beskyttet.



Bakside

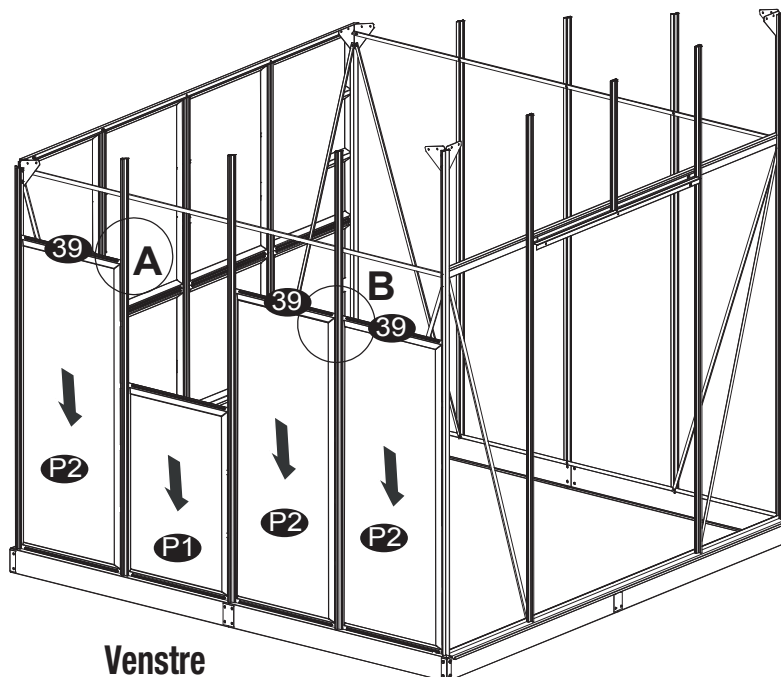
Pass på å fjerne beskyttelsesfilmene fra begge sider av veggpanelene. Den konkave siden er UV-beskyttet. Denne skal plasseres utenfor drivhuset.

<p>A</p> <p>drivhuset fra utsiden</p> <p>Sett inn platen i angitt pilretning</p>	<p>A</p> <p>drivhuset fra utsiden</p>
<p>B</p> <p>drivhuset fra utsiden</p>	<p>B</p> <p>Tverrsnitt-visning</p>

MONTERING AV POLYKARBONATPLATER TIL VEGG

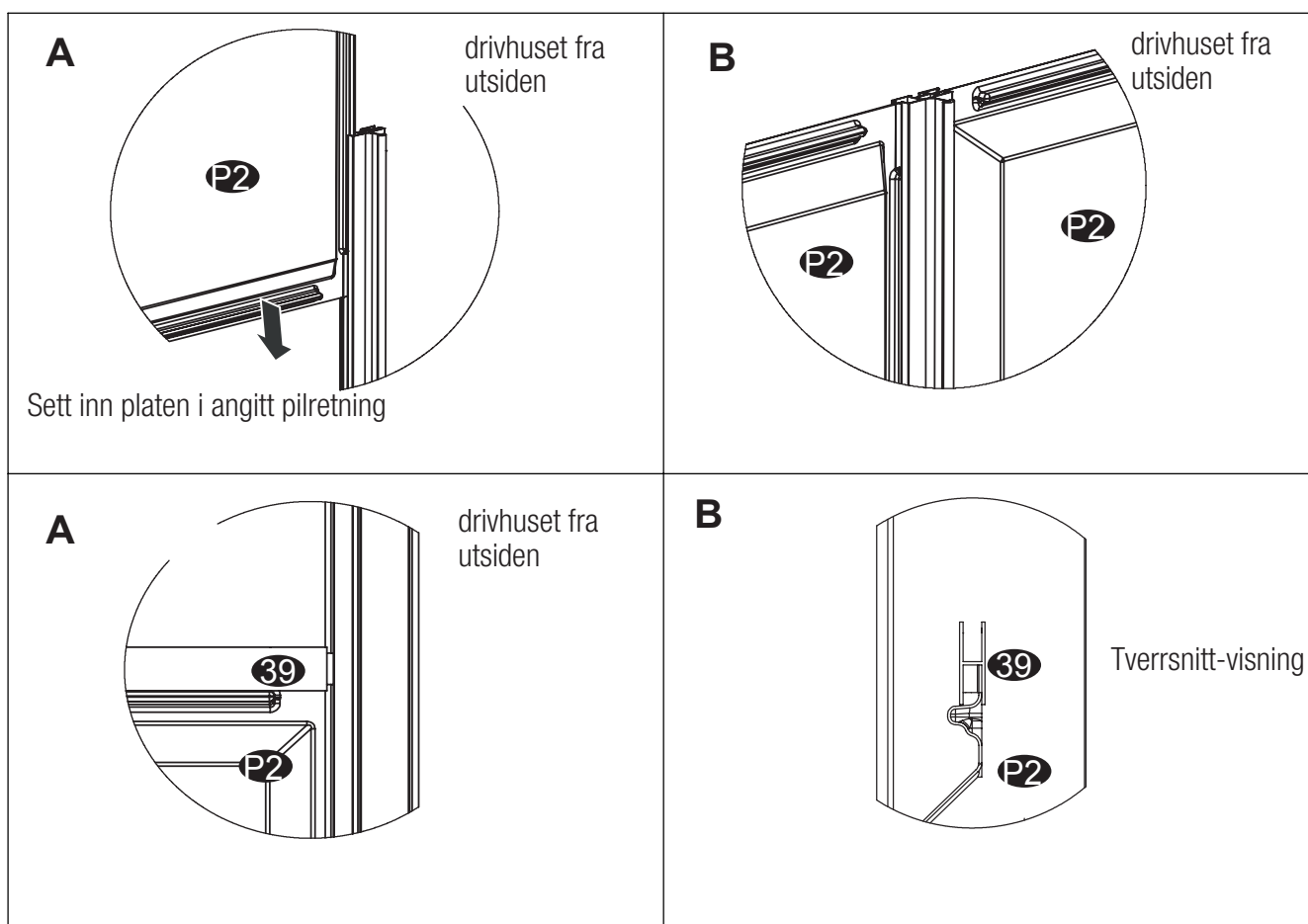


Art.Nr.	Antall	Bilde	Størrelse (mm)
P1	1PC		845x590
P2	3PC		1367x590
39	3PC		568





Fjern beskyttelsesfilmen på begge sider av panelet

Venstre

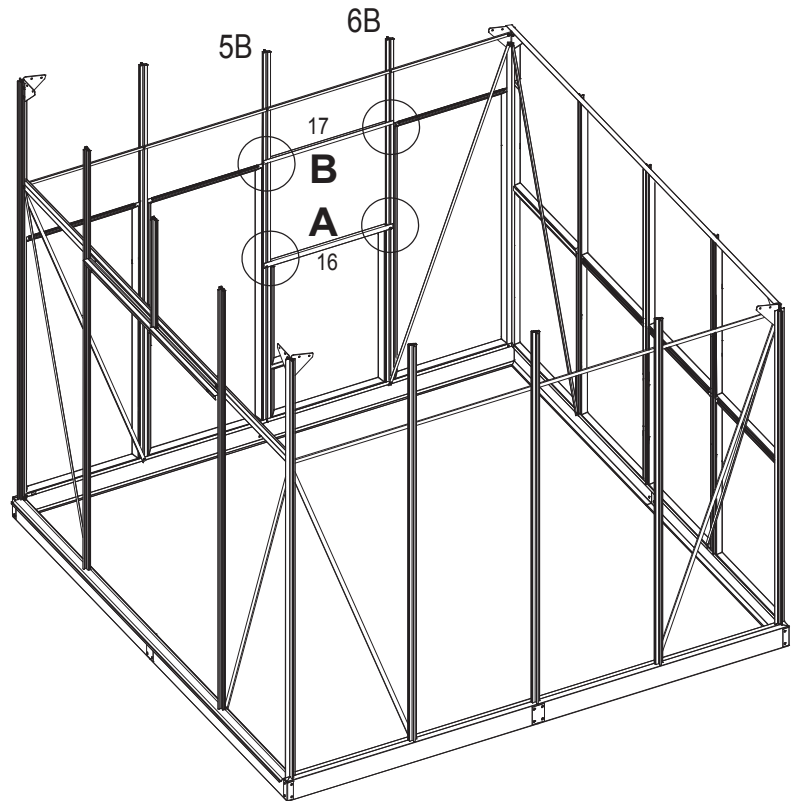


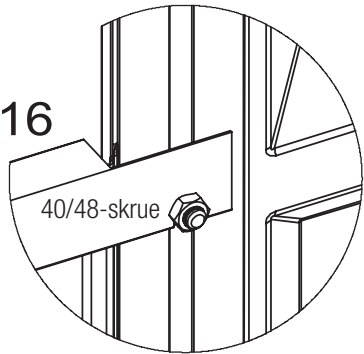
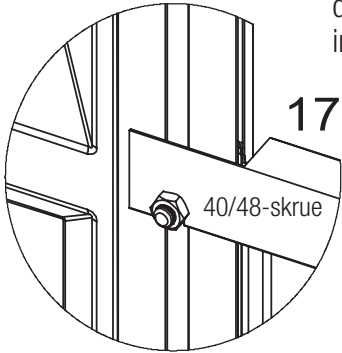


CELLO

MONTERING AV VENTILER I VEGGEN

Art.Nr.	Antall	Bilde	Størrelse (mm)
16	1PC		635
17	1PC		638

Venstre



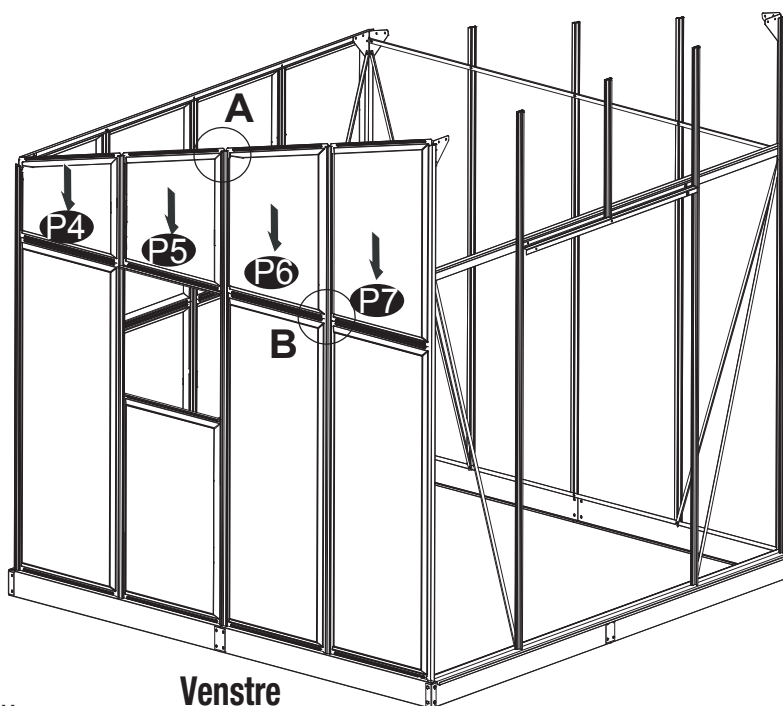
<p>A</p>  <p>drivhuset fra innsiden</p> <p>16</p> <p>40/48-skrue</p> <p>Nummer 16 er festet på 5B/6b</p>	<p>B</p>  <p>drivhuset fra innsiden</p> <p>17</p> <p>40/48-skrue</p> <p>Nummer 17 er festet på 5B/6b</p>
<p>A-B</p>  <p>17</p> <p>Installasjonsvisning av A/B-tverrsnitt</p>  <p>16</p>	

CELLO

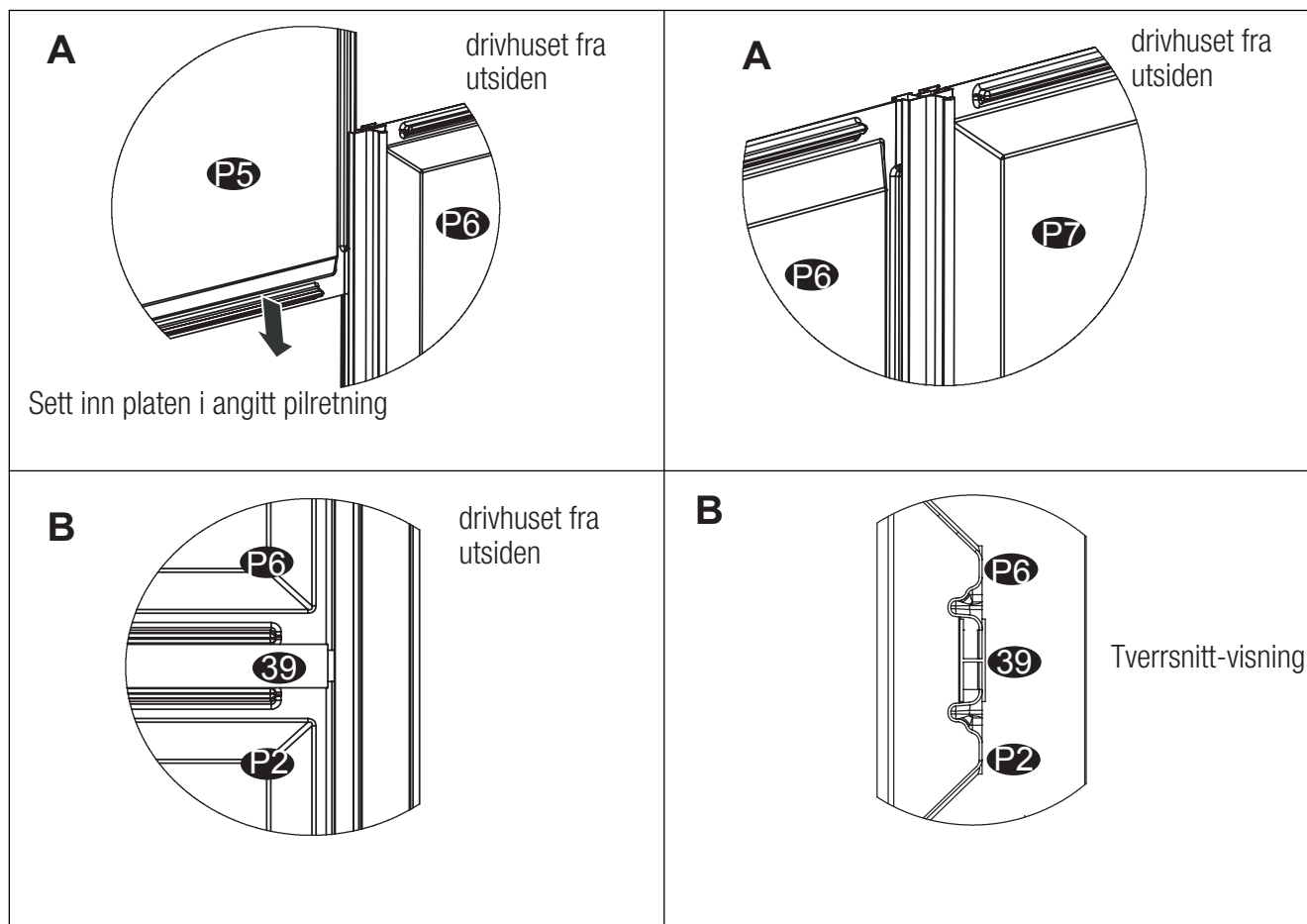
MONTERING AV POLYKARBONATPLATER TIL VEGG



Art.Nr.	Antall	Bilde	Størrelse (mm)
P4	1PC		450x590
P5	1PC		590x590
P6	1PC		720x585
P7	1PC		590x853



Fjern beskyttelsesfilmen på begge sider av panelet



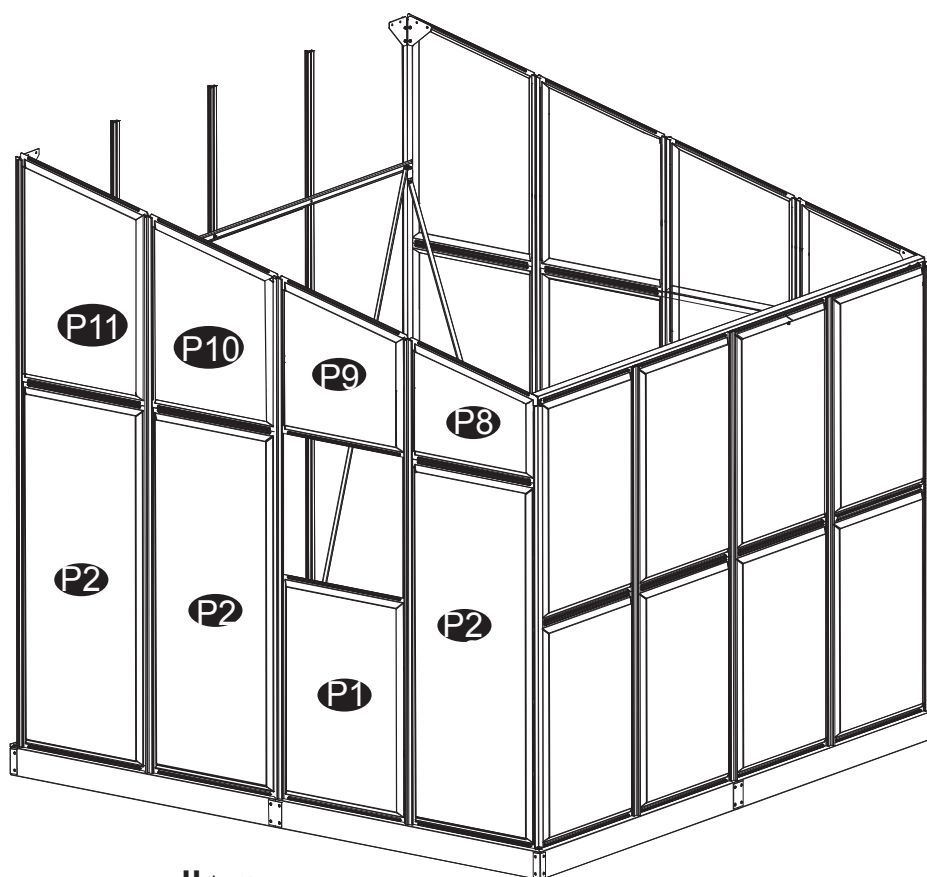
CELLO

MONTERING AV POLYKARBONATPLATER TIL VEGG



Art.Nr.	Antall	Bilde	Størrelse (mm)
P1	1PC		845x590
P2	3PC		1367x590
16	1PC		635
17	1PC		638

Art.Nr.	Antall	Bilde	Størrelse (mm)
P8	1PC		450x590
P9	1PC		585x590
P10	1PC		720x590
P11	1PC		590x855



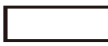

Høyre

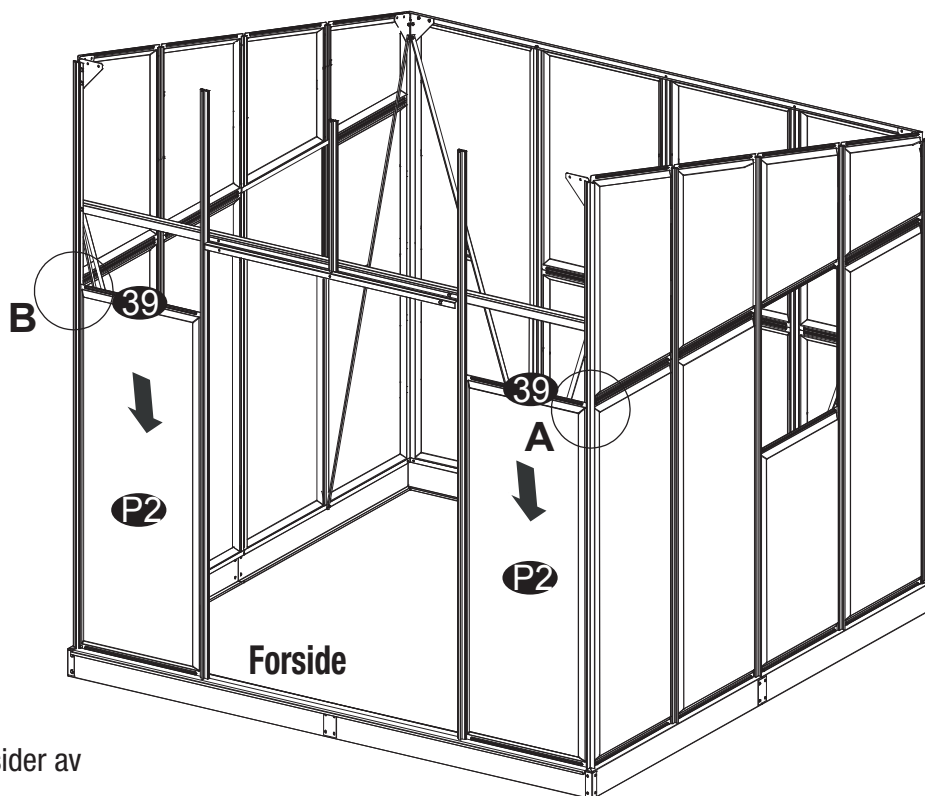
Se side 147/148/149 for montering av høyre plate

CELLO

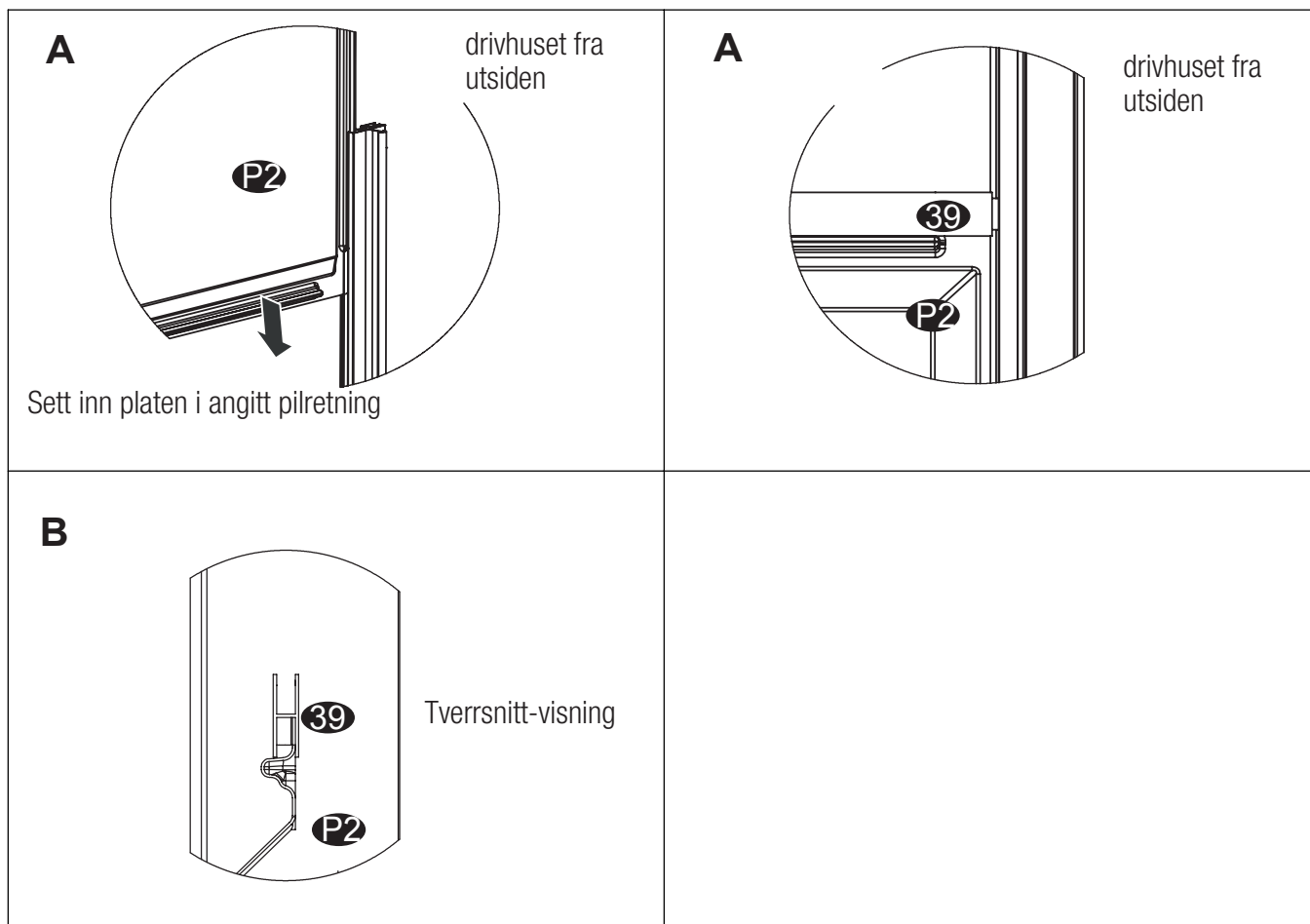
MONTERING AV POLYKARBONATPLATER TIL VEGG



Art.Nr.	Antall	Bilde	Størrelse (mm)
P2	2PC		1367X590
39	2PC		568



Fjern beskyttelsesfilmen på begge sider av panelet

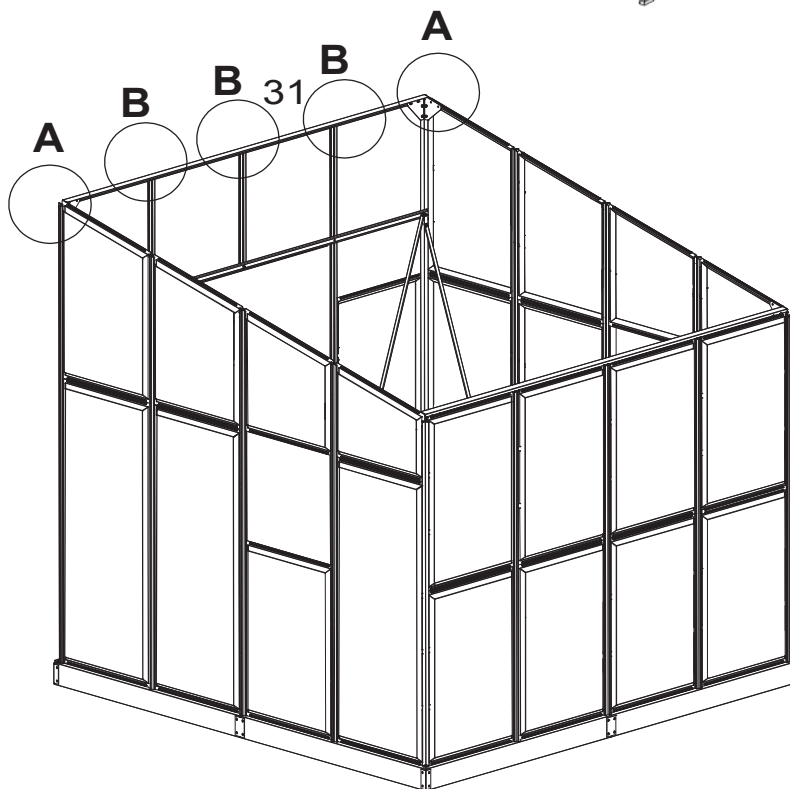


CELLO

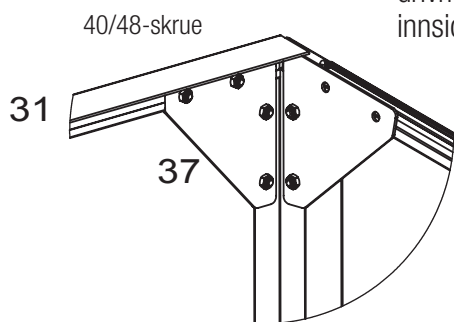
MONTER VEGGRAMMENE



Art.Nr.	Antall	Bilde	Størrelse (mm)
31	1PC		2406
40	7PC		
48	7PC		



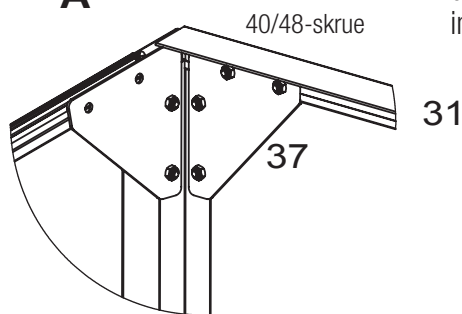
A



drivhuset fra innsiden

Nummer 31 er festet til nummer 37

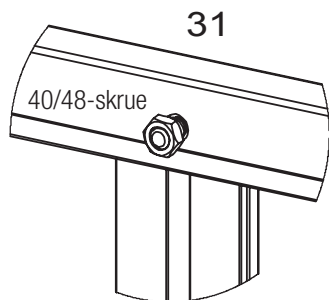
A



drivhuset fra innsiden

Nummer 31 er festet til nummer 37

B



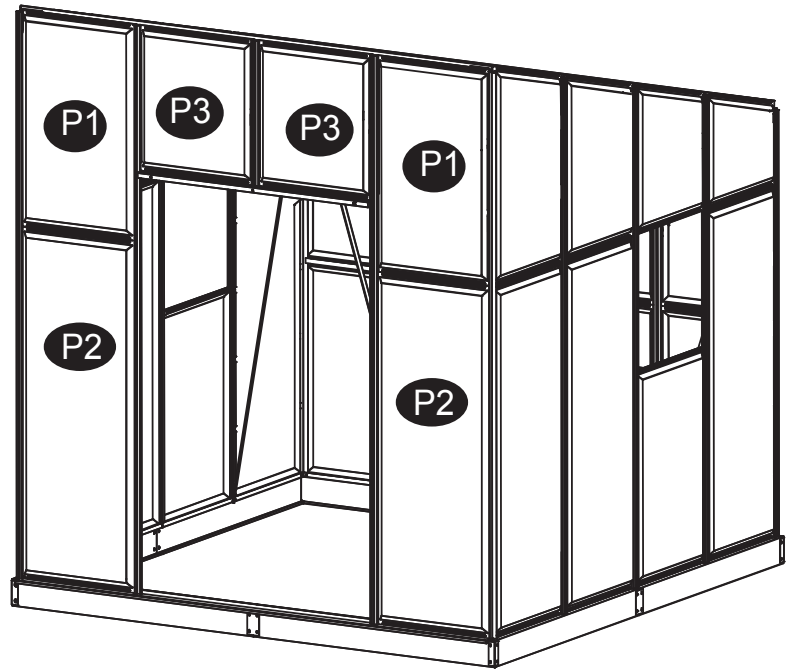
drivhuset fra innsiden

CELLO

MONTERING AV POLYKARBONATPLATER TIL VEGG



Art.Nr.	Antall	Bilde	Størrelse (mm)
P1	2PC		845x590
P3	2PC		595x590



Fjern beskyttelsesfilmen på begge sider av panelet

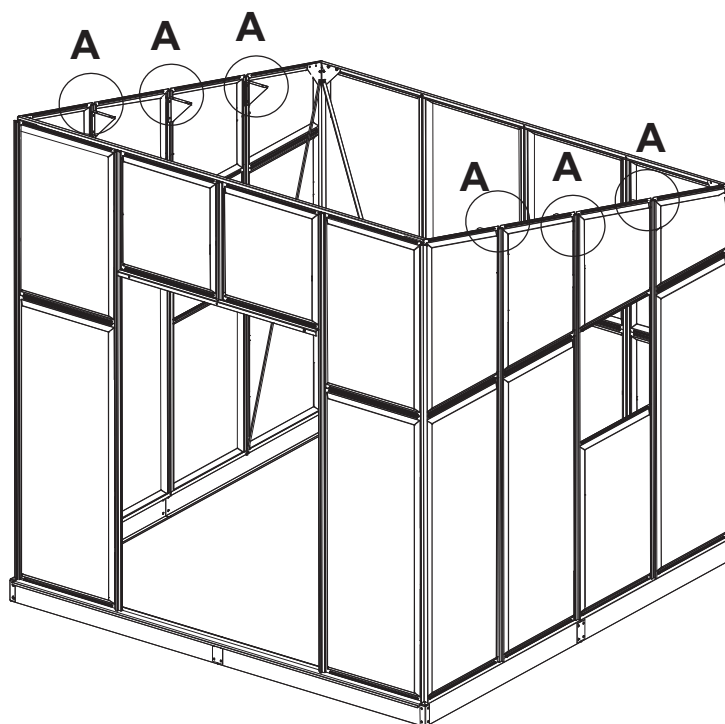
<p>A</p> <p>drivhuset fra utsiden</p> <p>Sett inn platen i angitt pilretning</p>	<p>A</p> <p>drivhuset fra utsiden</p>
<p>B</p> <p>drivhuset fra utsiden</p>	<p>B</p> <p>Tverrsnitt-visning</p>

CELLO

TAKMONTERING







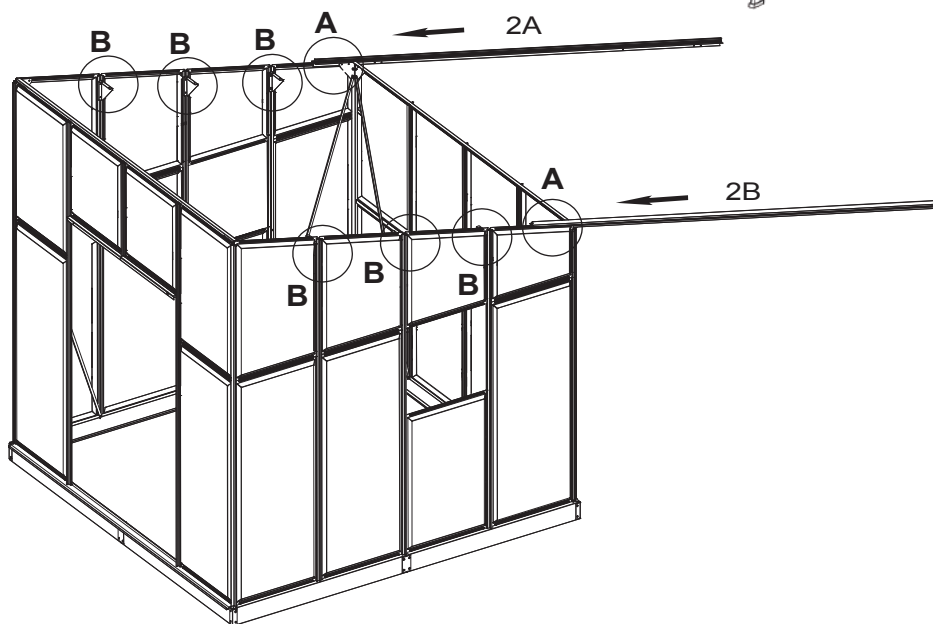
Art.Nr.	Antall	Bilde	Størrelse (mm)
38	6PC		
40	12PC		
48	12PC		



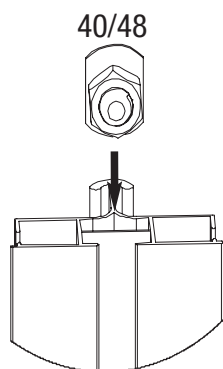
<p>A</p> <p>40/48-skrue</p> <p>38</p> <p>Nr. 38 beslag skrues først</p>	<p>A</p> <p>38</p> <p>drivhuset fra utsiden</p> <p>Sett inn beslag nr. 38 i angitt pilretning. Ikke stram skruen først</p>

TAKMONTERING

Art.Nr.	Antall	Bilde	Størrelse (mm)
2A	1PC		2954
2B	1PC		2954
40	6PC		
48	6PC		



B



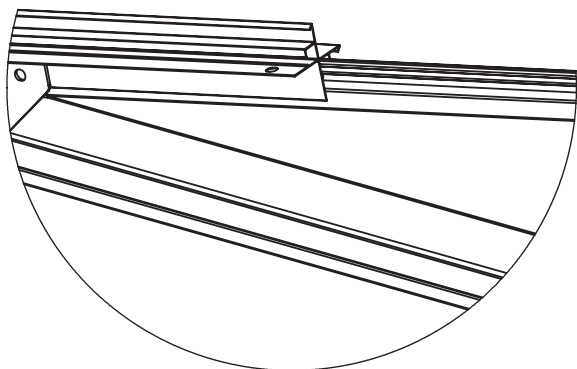
40/48

drivhuset fra
innsiden

Forhåndsinstaller skruene før du installerer 2A/2B

A

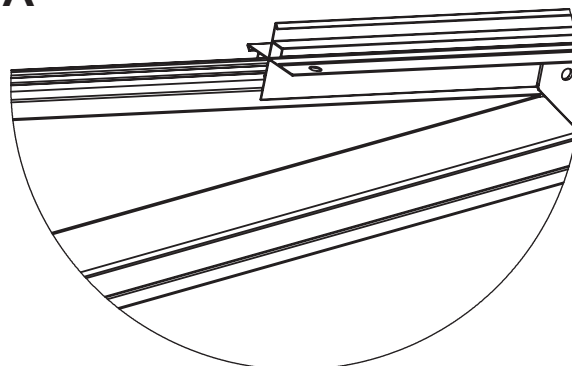
2B



Sett inn beslag 2A/2B i angitt pilretning.
Vær oppmerksom på retningen

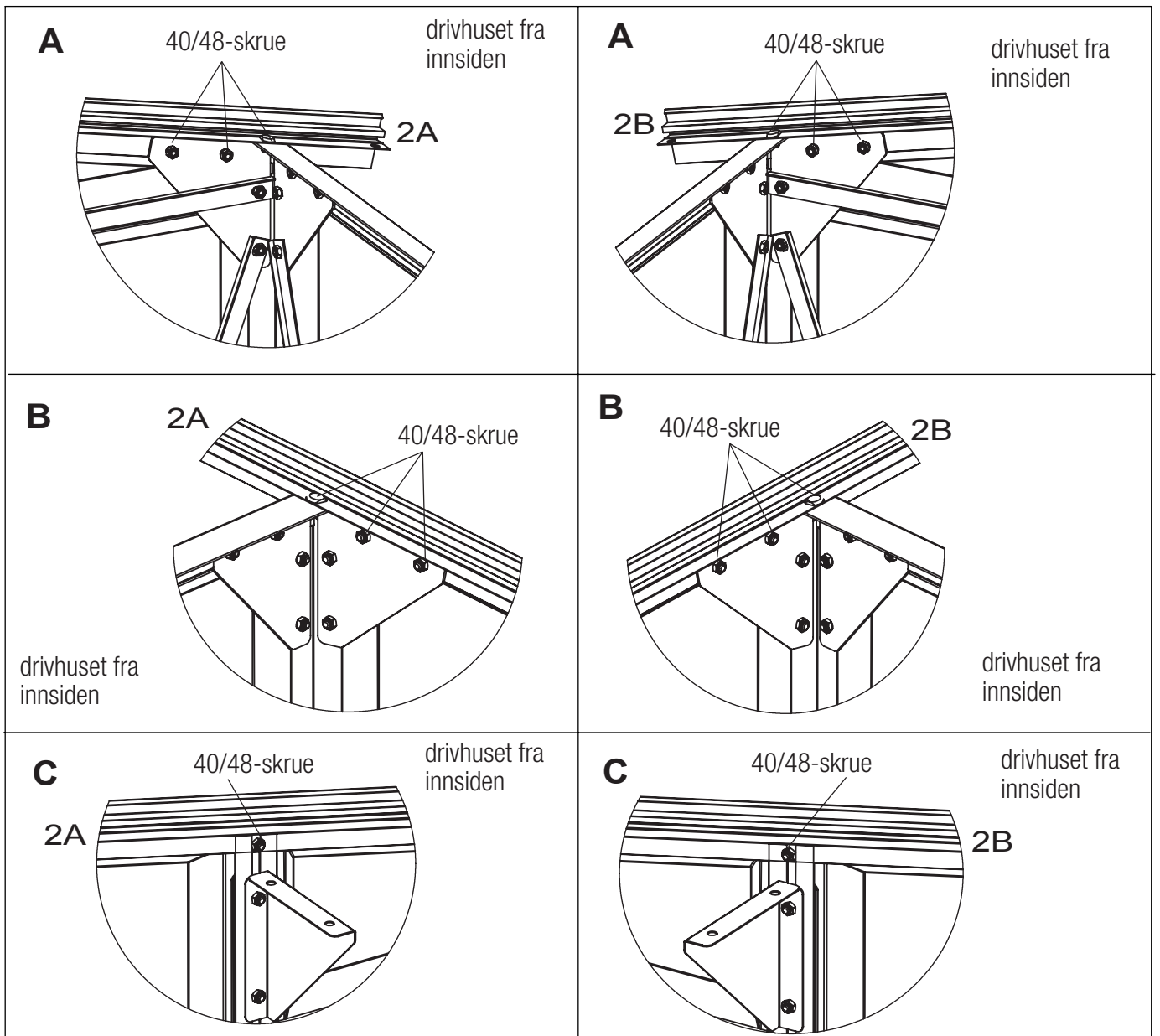
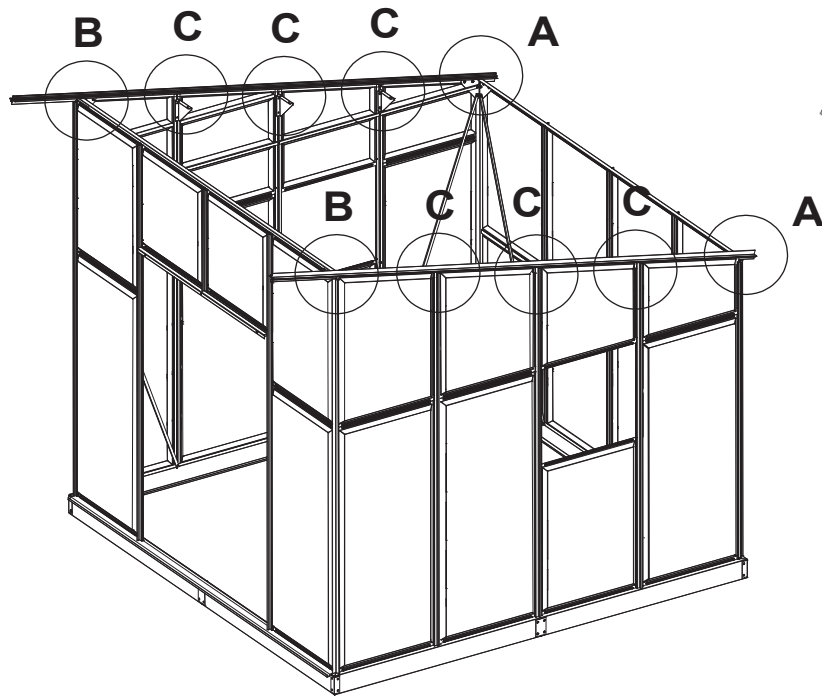
A

2A



Sett inn beslag 2A/2B i angitt pilretning.
Vær oppmerksom på retningen

CELLO

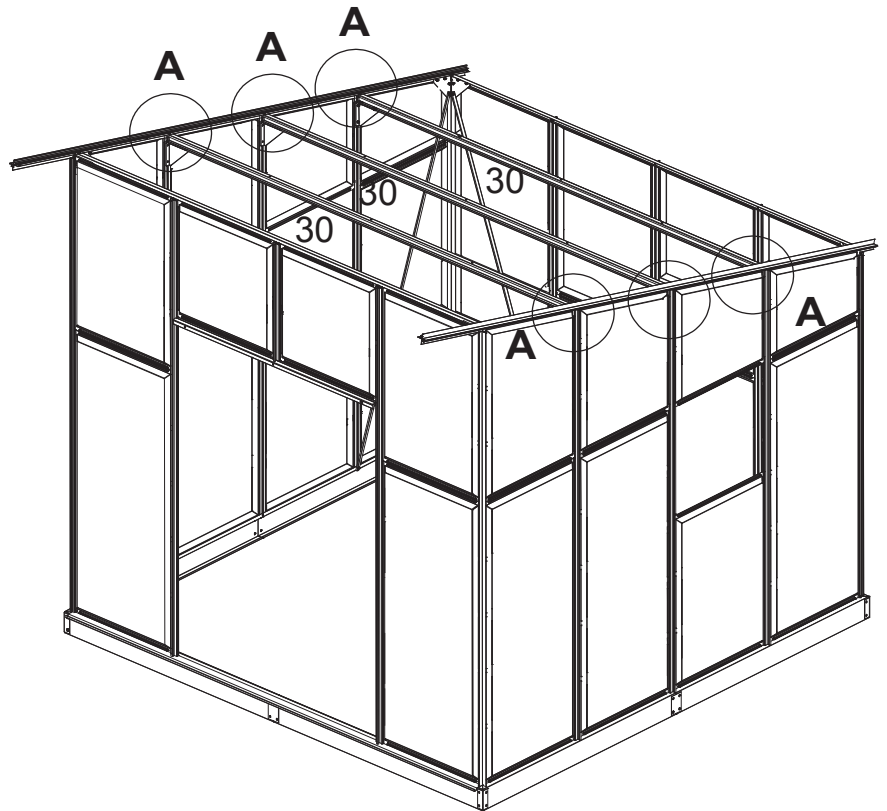


CELLO

TAKMONTERING



Art.Nr.	Antall	Bilde	Størrelse (mm)
30	3PC		2406
40	21PC		
48	21PC		



A

40/48-skrue

30

drivhuset fra innsiden

A

40/48-skrue

30

B

40/48

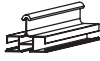


30

Forhåndsmonter skruer før montering for beslag nr. 30

CELLO

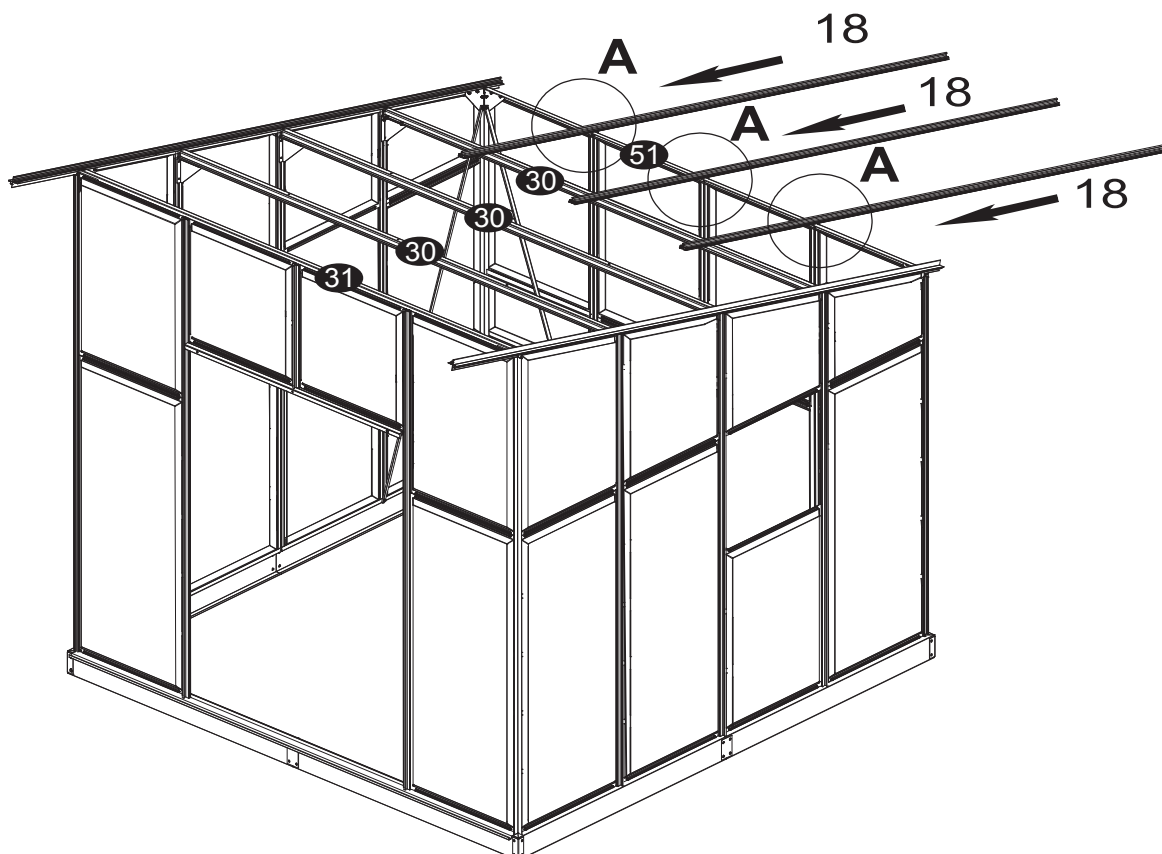
TAKMONTERING



Art.Nr.	Antall	Bilde	Størrelse (mm)
18	3PC		2935
40	6PC		
48	6PC		

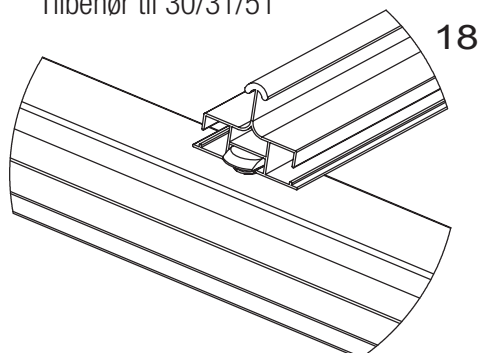
Forhåndsinstaller skruene 31/51 før montering 18

Beslag 18 settes inn i angitt pilretning



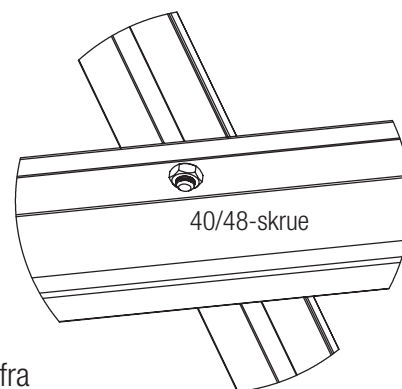
A

Tilbehør til 30/31/51



Sett inn 18 til 30/31/51 passende forhåndsinstallert skruer, ikke lås

A



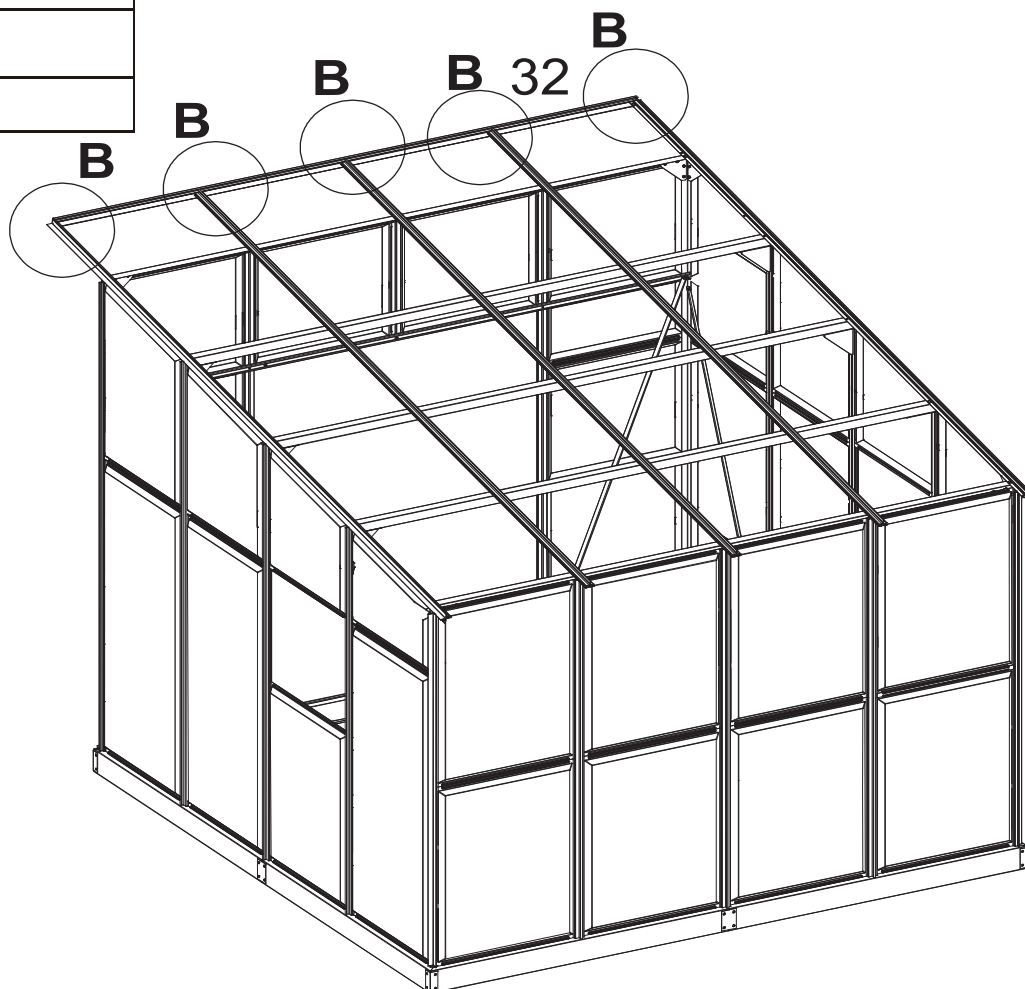
drivhuset fra innsiden

CELLO

TAKMONTERING



Art.Nr.	Antall	Bilde	Størrelse (mm)
32	3PC		2406
40	4PC		
48	4PC		



B


32

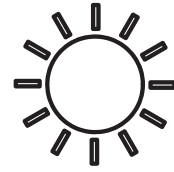
40/48-skrue

Beslag nr. 32 er festet på nr. 2A/2b/18

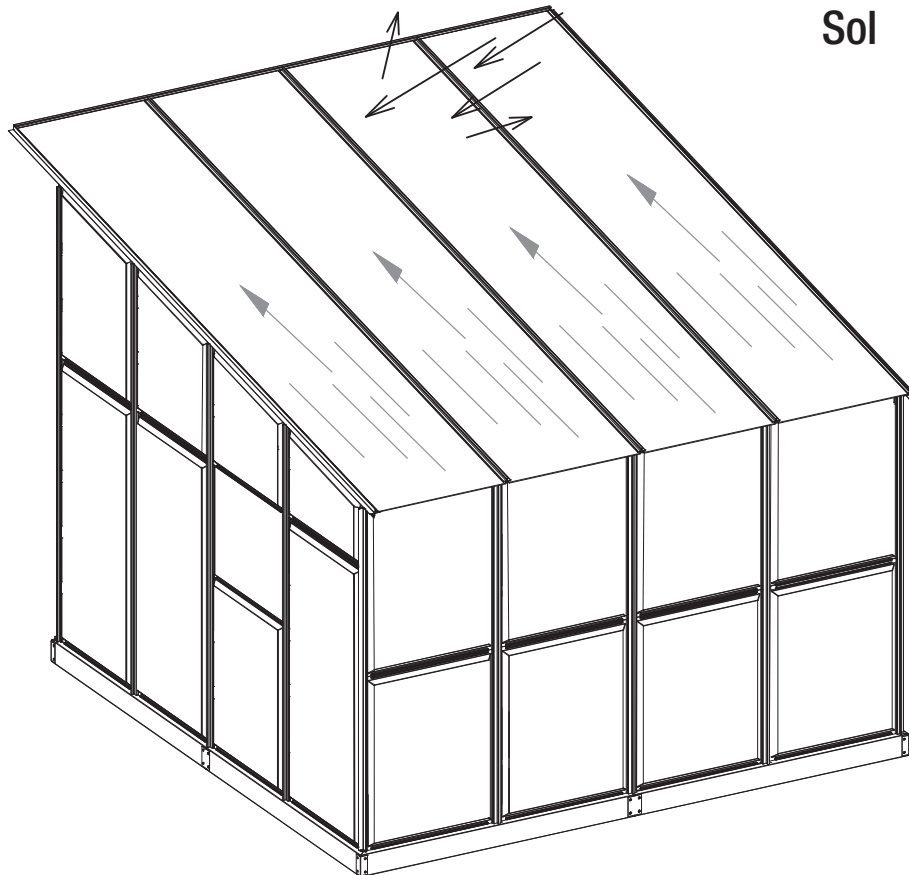
CELLO

POLYKARBONATPLATER TIL TAK

Art.Nr.	Antall	Bilde	Størrelse (mm)
P14	4PC		2954x590



Sol



Sett inn platen i angitt pilretning

Fjern beskyttelsesfilmen på begge sider av panelet



Den hvite beskyttelsesfilmen på 4,0 mm takplater viser til den UV-beskyttede siden av platen.






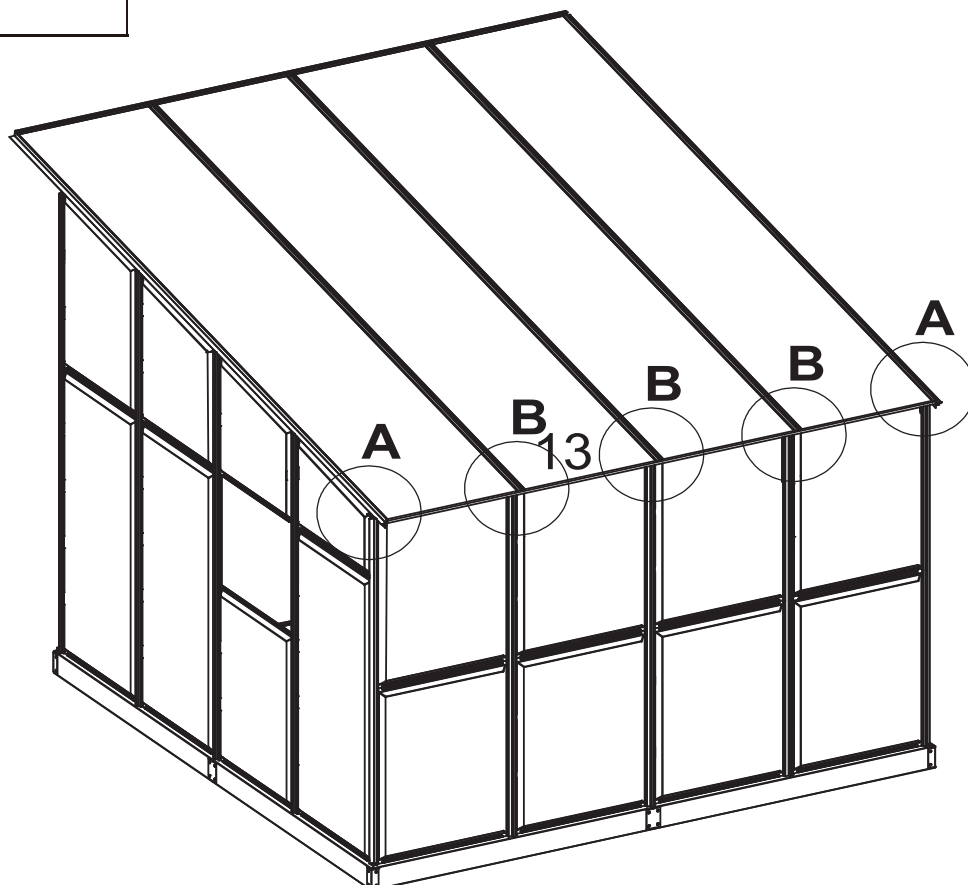
Den gjennomsiktige beskyttelsesfilmen på 4,0 mm takplater viser til den siden av platen som ikke er UV-beskyttet.

CELLO

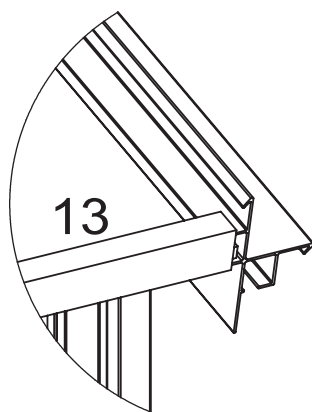
TAKMONTERING



Art.Nr.	Antall	Bilde	Størrelse (mm)
13	1PC		2400
40	4PC		
48	4PC		

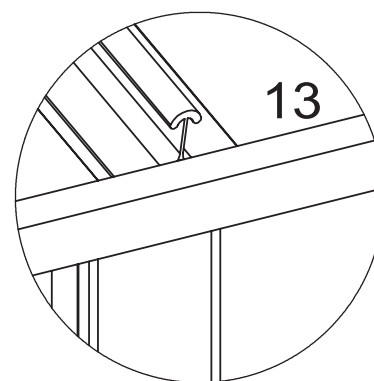


A



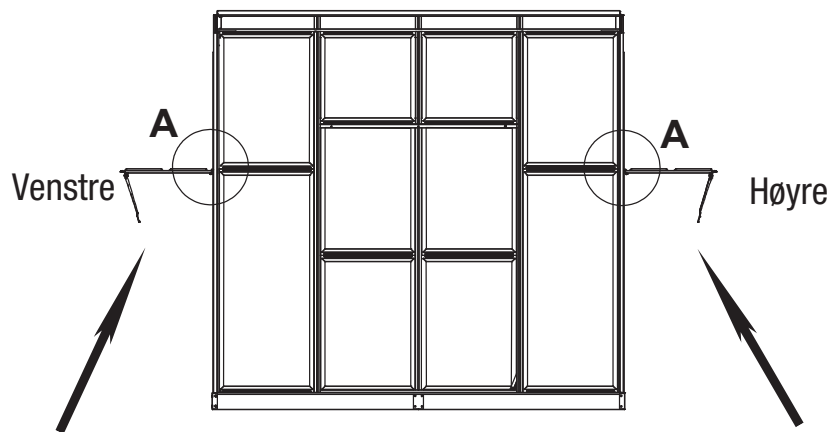
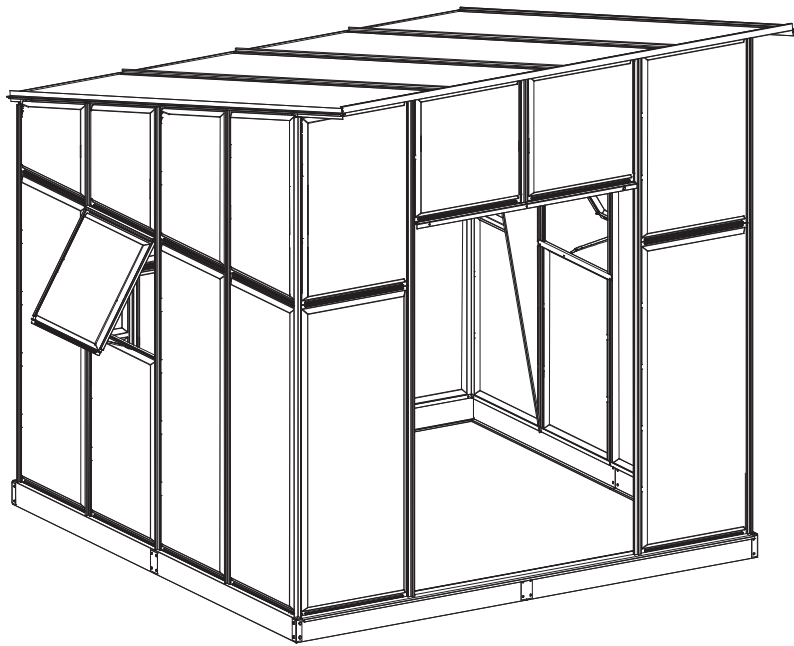
Fest nr. 13 beslag med skruer

B

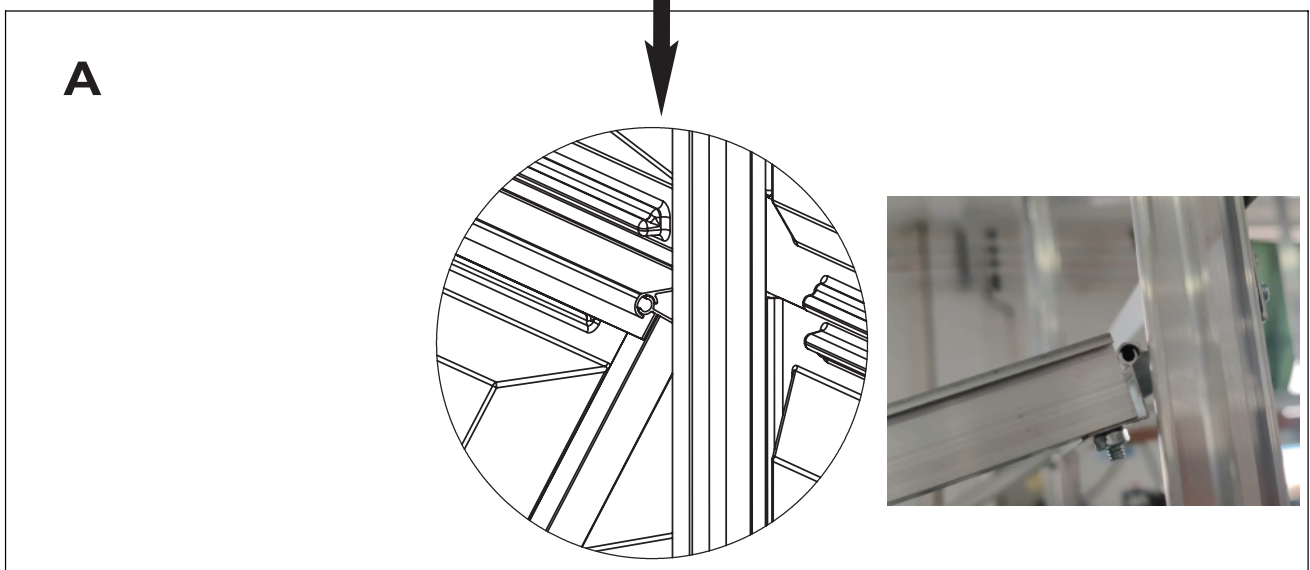


Fest nr. 13 beslag med skruer

CELLO

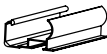


Last vinduer på venstre og høyre side

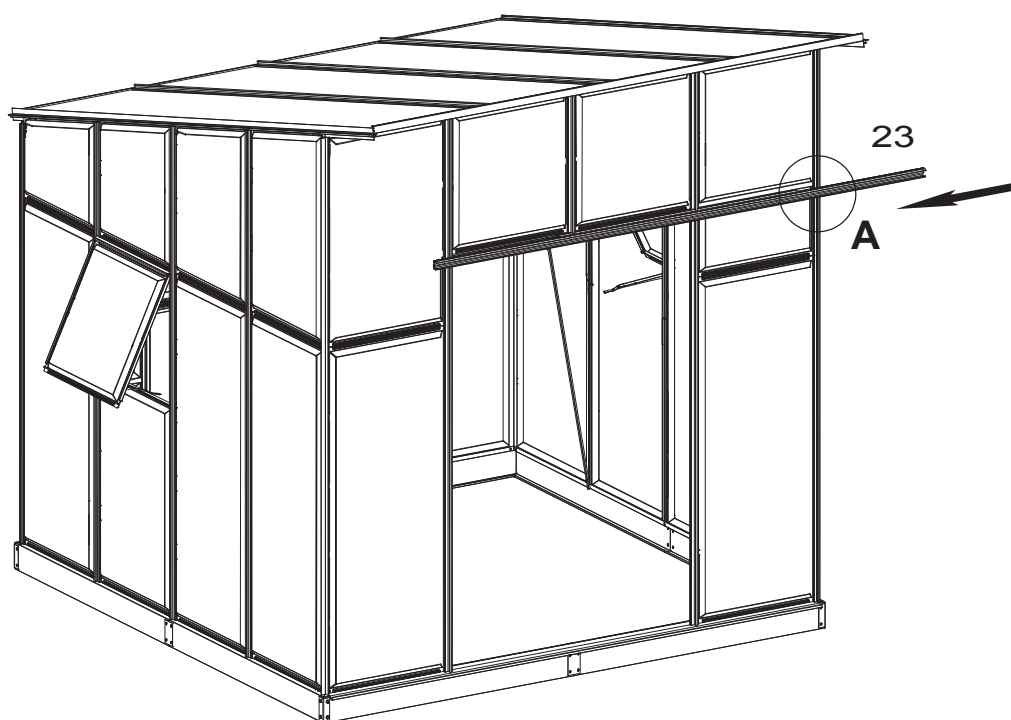


CELLO

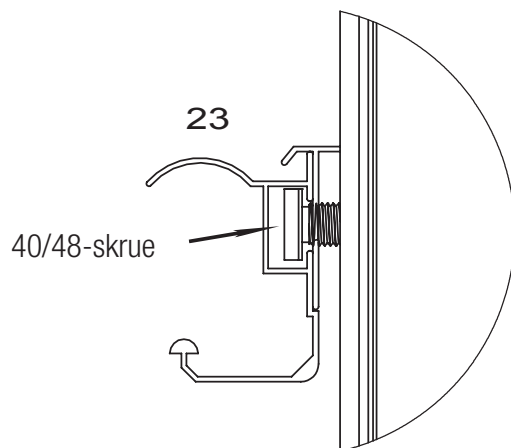
MONTERING AV SKYVEDØRSSKINNE

Art.Nr.	Antall	Bilde	Størrelse (mm)
23	1PC		2406

Lastebeslag 23 i angitt pilretning

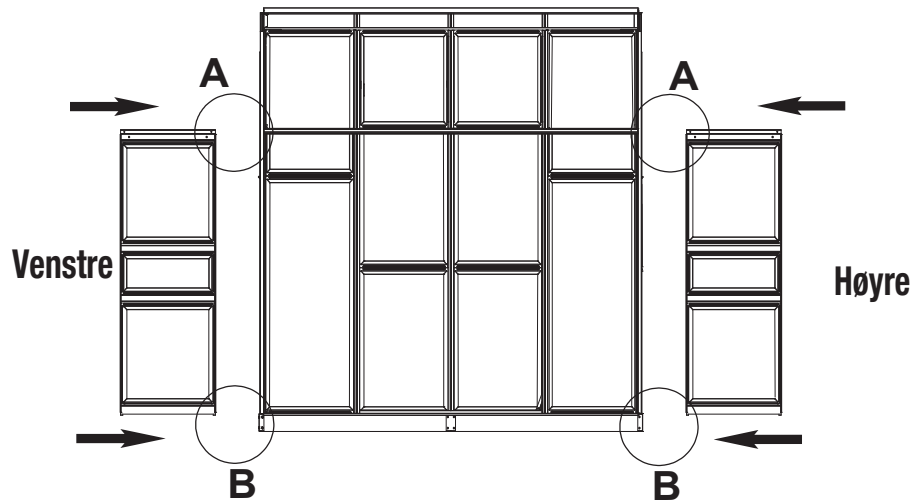
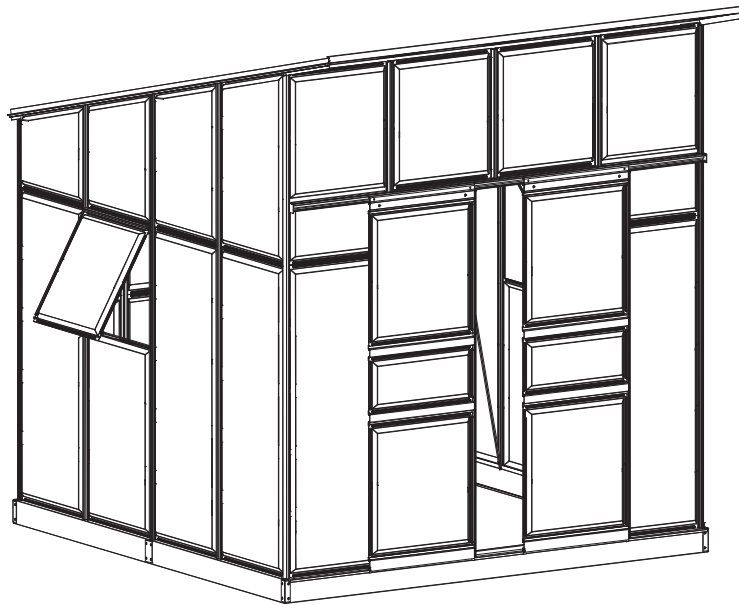


A



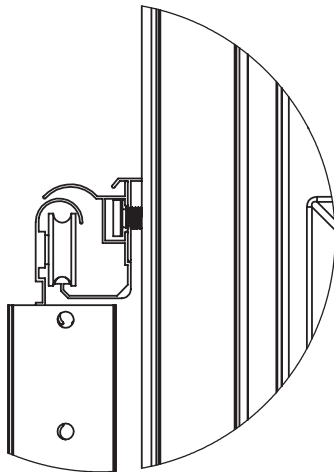
Tverrsnittsvising av A

CELLO

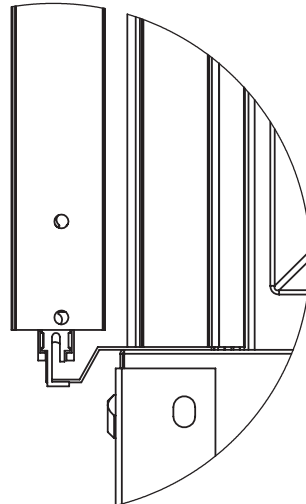


Sett inn den bevegelige døren i angitt pilretning

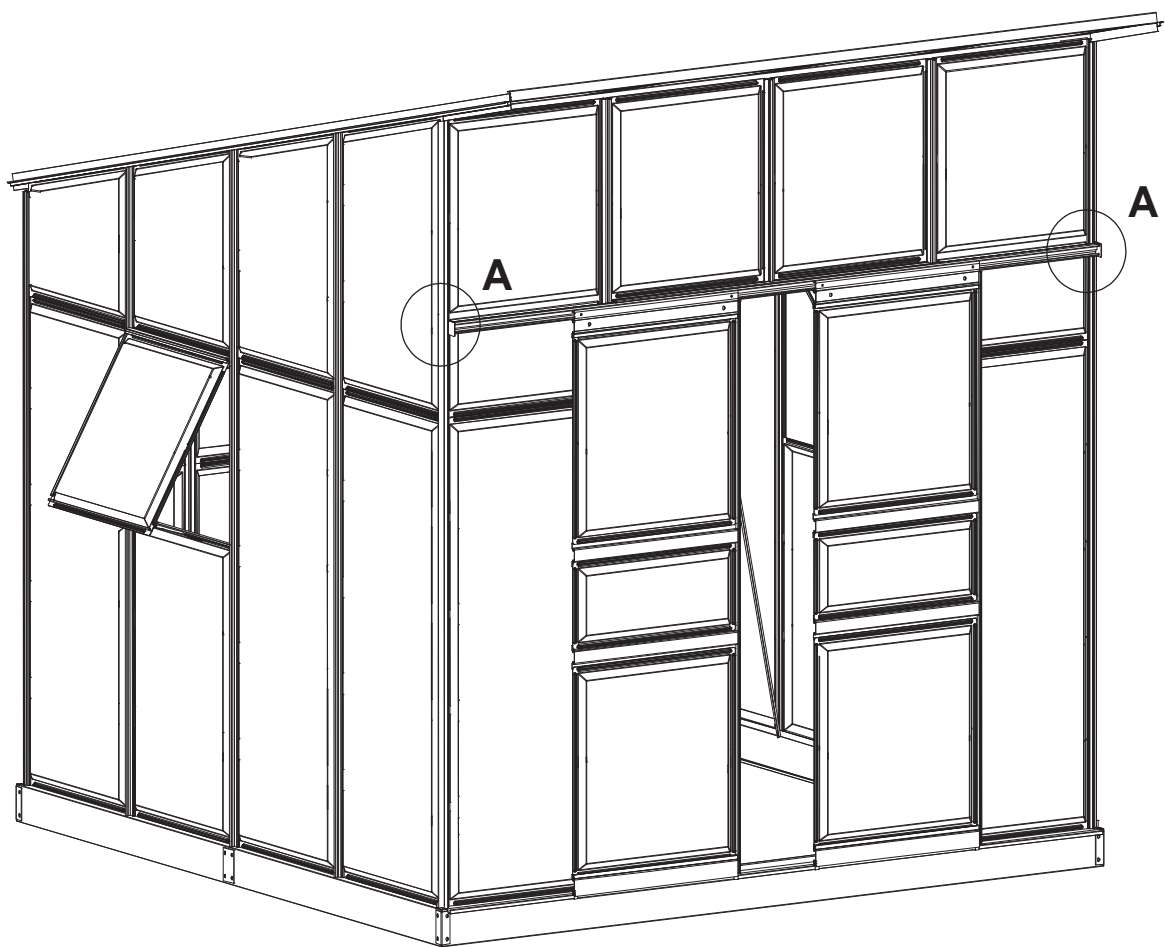
A



B

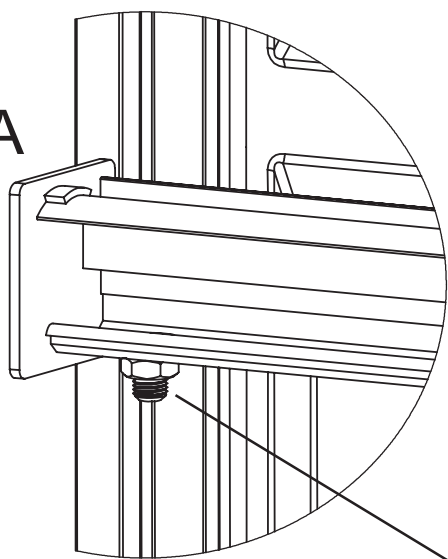


CELLO

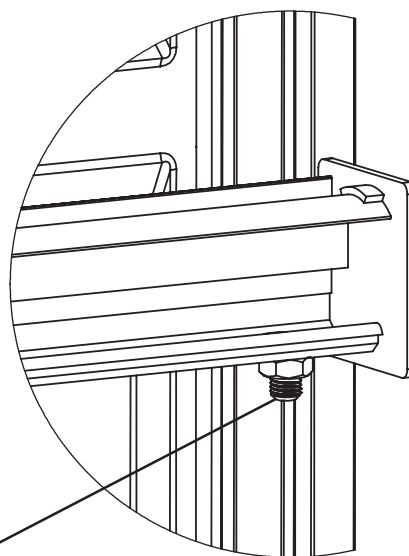


A

45A



45B



Hver side trenger én skrue 40/48 for å forhindre at døren er skrudd.

CELLO

EE

Üldjuhised

1. Enne kasvuhoone kokkupanemist lugege need juhised hoolikalt läbi.
2. Kokkupanek koosneb mitmest etapist, mõne etapi jaoks on vaja kaht inimest ja see võtab 2–3 päeva.
3. Valige päikeseline ja tasane koht, kus pole suuri puid.
4. Kokkupaneku alustamiseks asetage osad numbrilises järjekorras kokkupanekukoha kõrvale.
5. Hoidke väikesed osad (kruvid jmt) karpides ja kottides, et need ei läheks kaduma.
6. Kokkupanekuks vajate tööriistadest vähemalt elektrikruvikeerajat/-trelli ja mõõdulinti.
7. Igal osal on number ja see on näidatud ka kokkupanekujuhendis.
8. Keerake kruvid täielikult kinni alles siis, kui olete kindel, et olete kõik osad õigesti kokku pannud.
9. Seinte jaoks kasutatakse läbipaistvaid nõgusaid ja kumeraid PC-paneele ning katusel tuhme õõnsaid 4 mm PC-paneele.
10. Enne polükarbonaadist seina- ja katusepaneelide kohale paigaldamist eemaldage nende mõlemalt poolelt kaitsekiled.
11. Kumer seinapaneel on UV-kaitsega ja see peaks jääma päikese poole. Valge kaitsekile 4,0 mm katusepaneelil näitab, et see on paneeli UV-vastase kaitsega külg ja see peaks jääma päikese poole. Nõuanne! Pärast katusepaneelide kaitsekile eemaldamist võite teha UV-kaitsega poolele markeriga väikese märgi, et UV-kaitsega pool ei läheks paigaldamisel teistega segamini.



Roheline kaitsekile 0,7 mm seinapaneelil näitab, et see on paneeli UV-vastase kaitsega külg.



Läbipaistev kaitsekile 0,7 mm seinapaneelil näitab, et see on paneeli UV-vastase kaitseta külg.



Valge kaitsekile 4,0 mm katusepaneelil näitab, et see on paneeli UV-vastase kaitsega külg.



Läbipaistev kaitsekile 4,0 mm katusepaneelil näitab, et see on paneeli UV-vastase kaitseta külg.

12. Käideldge polükarbonaadist seina- ja katusepaneele eriti ettevaatlikult, et neid kokkupaneku ajal mitte kriimustada.

CELLO

Ohutusjuhised

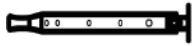



1. Soovitame kasvuhoone kokkupanekul kanda kindaid ja kaitseprille.
2. Hoidke lapsed paigaldusalast eemal.
3. Ärge paigaldage kasvuhoonet sinna, kus on pidevalt tuuline või niiske.
4. Treppredeli või elektritööriistade kasutamise korral järgige tootja ohutusjuhiseid.
5. Kui paigaldate ülalpool olevaid osi, kaitske end võimaliku tilkumise eest.
6. Veenduge, et kasvuhoone on piisavalt tugevalt maa külge ankurdatud. Puuduliku ankurdamise korral võib tugev tuul kasvuhoonet kergesti kahjustada.
7. Äikese korral ei soovita me kasvuhoonesse jääda, sest alumiiniumsulamist karkass juhhib elektrit.

Hooldusjuhised
















1. Kui maapind ei ole tasane, võib kasvuhoone karkass kahjustatud saada. Veenduge, et kasvuhoone püsiks alati otse püsti.
2. Vältige karkassi ülekoormamist. Eemaldage lumi aegsasti või kasutage polükarbonaatplaadi keskosa toestamiseks sees tugevat puitlauda, et lumi ei vajuku kasvuhoonesse sisse.
3. Ärge laske ronivatel puu- ja köögiviljadel üles kasvuhoone peale kasvada, muidu võib konstruktsioon tuulise ja vihmase ilma korral kergesti puruneda. Kui ühendusosa on põhjalikult roostetanud, tuleb aegsasti panna uued kruvid jm kinnitusdetailid.
4. Hoidke polükarbonaatplaate tulest eemal, et vältida nende pehmenemist ja deformeerumist.
5. Hoidke PC-plaadid puhtad ja vahetage need 3 aasta möödudes välja, et mitte takistada valgusläbivust.
6. Tormi ajal tuleb jälgida, et kasvuhoone oleks kindlalt maasse kinnitatud ning katuseeluuk ja uks suletud. Vajaduse korral kinnitage kasvuhoone tugeva köie või traadiga lähedal asuvate puude külge.
7. Kontrollige vähemalt kord aastas, kas karkassi kruvid on tugevalt kinni.
8. Kui katusele langeb talvel suur lumekoormus, võib katusepaneelid talveks eemaldada.

Osa nr	Joonis	Kogus	Mõõtmed (mm)	Osa nr	Joonis	Kogus	Mõõtmed (mm)	
1A		1	2217	23		1	2406	
1B		1	2217	24		2	610	
2A		1	2954	25		28		
2B		1	2954	26		4		
3		2	1670	27		1	2408	
4		2	2230	28		2	1600	
5A		1	1957	28A		1	1600	
5B		1	1957	28B		1	1600	
6A			1	1829	29		6	1232
6B	1		1829	30		3	2406	
7	3		1695	31		1	2406	
8	1		568	32		1	2406	
9A	1		2098	33		1	2406	
9B	1		2098	34		2	1232	
10			2	1765	35		2	
11			6	1720	36		2	
12			2	2400	37		4	
13		1	2400	38		6		
14		1	1176	39		12	568	
15		4	520	40		174		
16		2	635	41		4		
17		2	638	42		4		
18		3	2935	43		2		
19		2	590	44		12		
20		4	610	45A		1		
21		2	610	45B		1		
22		2	608					

CELLO

Osa nr	Joonis	Kogus	Mõõtmed (mm)		Osa nr	Joonis	Kogus	Mõõtmed (mm)
46		2						
47		2	590					
48		174						
49		4						
50		4						
51		1						
52		12						

PC-paneelid

Osa nr	Kogus	Joonis	Mõõtmed (mm)	
P1	12TK		845x590	läbipaistev 0,7 mm seinapaneel
P2	8TK		1367x590	läbipaistev 0,7 mm seinapaneel
P3	2TK		595x590	läbipaistev 0,7 mm seinapaneel
P4	1TK		450x590	läbipaistev 0,7 mm seinapaneel
P5	1TK		590x590	läbipaistev 0,7 mm seinapaneel
P6	1TK		720x585	läbipaistev 0,7 mm seinapaneel
P7	1TK		590x853	läbipaistev 0,7 mm seinapaneel
P8	1TK		450x590	läbipaistev 0,7 mm seinapaneel
P9	1TK		585x590	läbipaistev 0,7 mm seinapaneel
P10	1TK		720x590	läbipaistev 0,7 mm seinapaneel
P11	1TK		590x855	läbipaistev 0,7 mm seinapaneel
P12	4TK		597x597	läbipaistev 0,7 mm seinapaneel
P13	2TK		605x240	0,7 mm seinapaneel
P14	4TK		2954x590	4 mm katusepaneel
P15	2TK		590x540	läbipaistev 0,7 mm seinapaneel

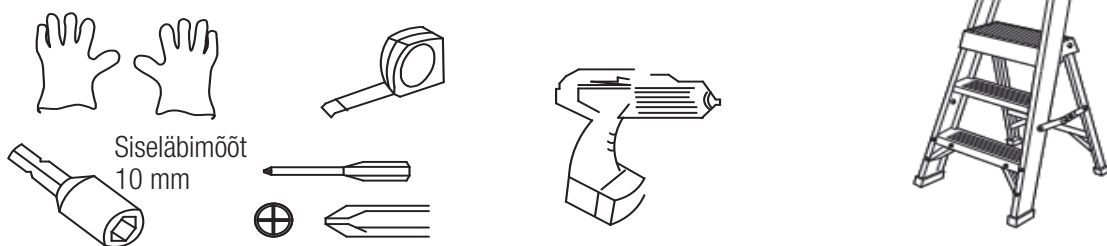


läbipaistva 0,7 mm
seinapaneeli foto



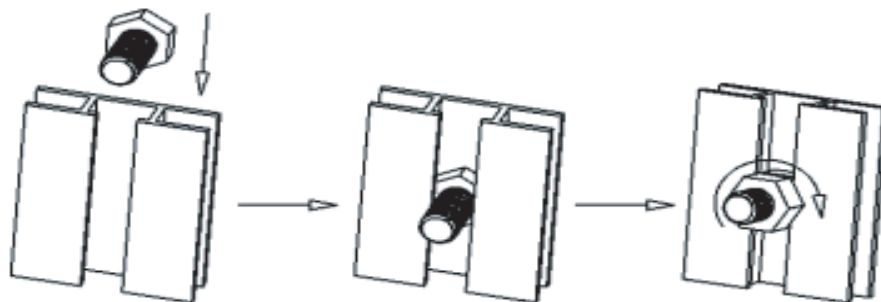
4 mm katusepaneel
foto

Soovitame kasvuhoone kokkupanemisel kasutada järgmisi tööriistu.




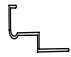
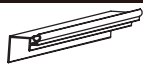


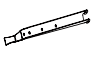


(pakend sisaldab ühte mutrivõtit mutrite keeramiseks)

Nii libistate kruvid alumiiniumraami soontesse.

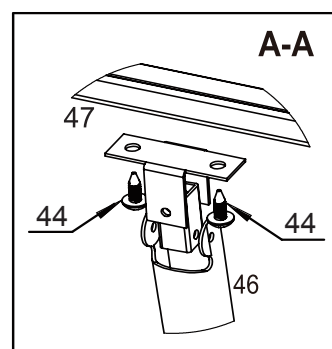
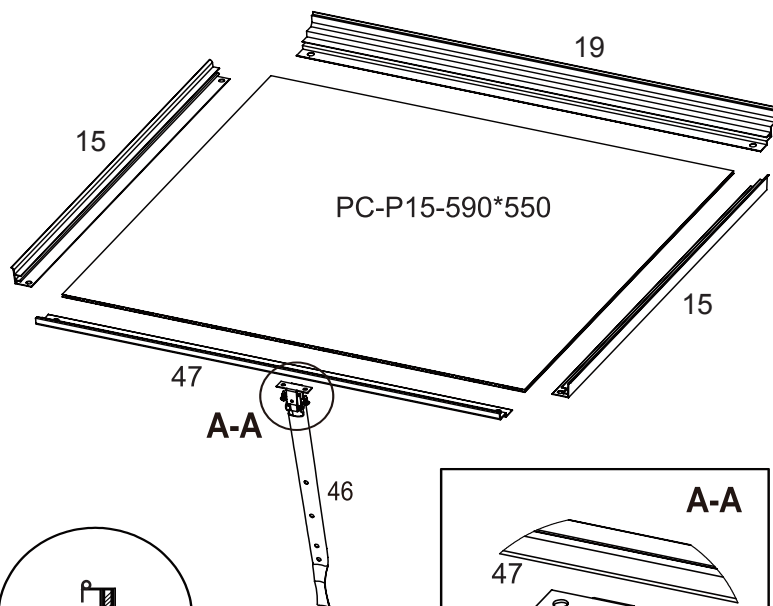


CELLO

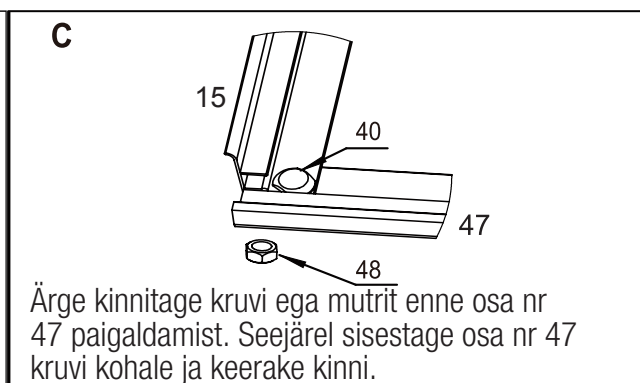
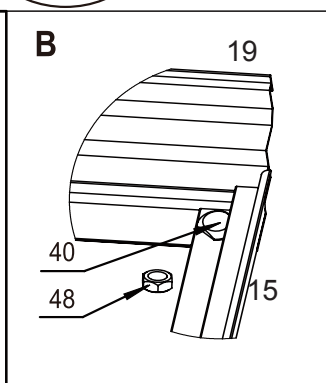
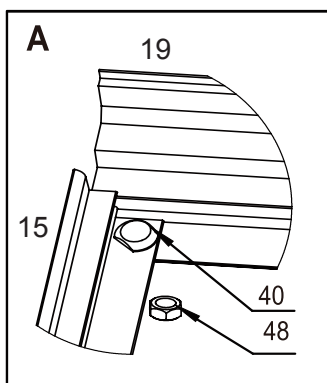
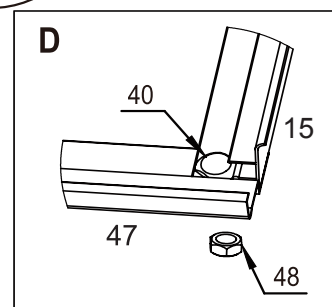
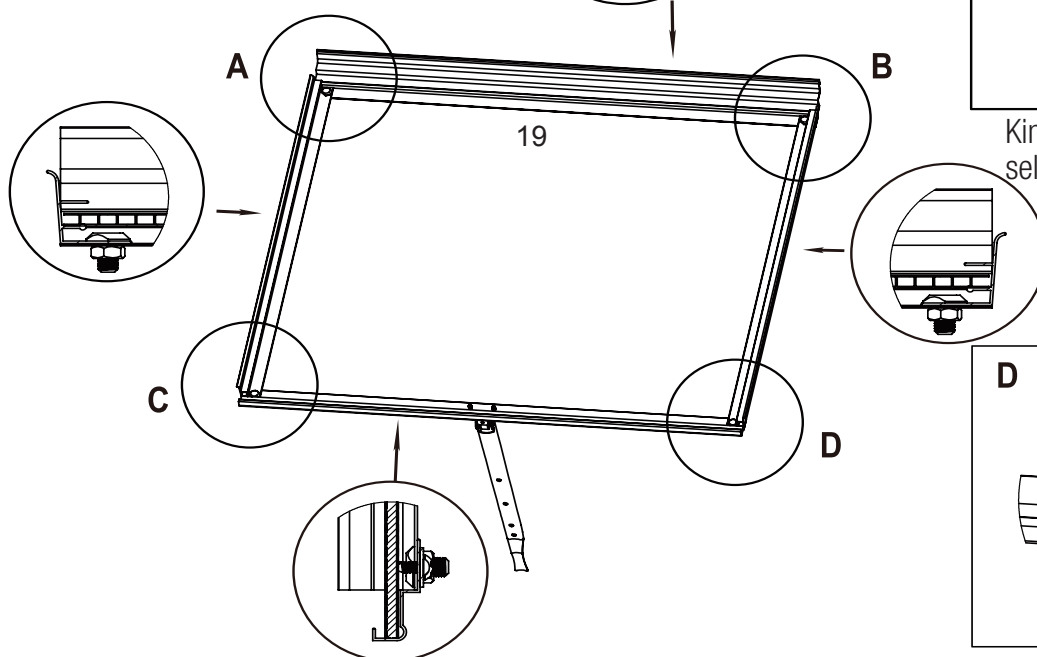
SEINA-AKNA KOKKUPANEK

Osa nr	Kogus	Joonis	Mõõtmed (mm)
15			520
47	2TK		590
19	2TK		595
40	8TK		
44	4TK		
46	2TK		
48	8TK		
P15	2TK		590x540

Paigutage suurendatud skeemid nagu alloleval pildil, sisestage nr 40 kruvid ülalt alla, pange esmalt kokku osad nr 15 ja 19, seejärel paigaldage paneel nr 15 ning järgmisena osa nr 47.



Kinnitage kronstein kruvidega selleks mõeldud kohale.



UV-kaitsega roheline kaitsekile peaks jääma päikese poole, ilma UV-kaitseta läbipaistev kaitsekile peaks jääma kasvuhoone sisse.

CELLO

LÜKANDUKSE RAAMI KOKKUPANEK

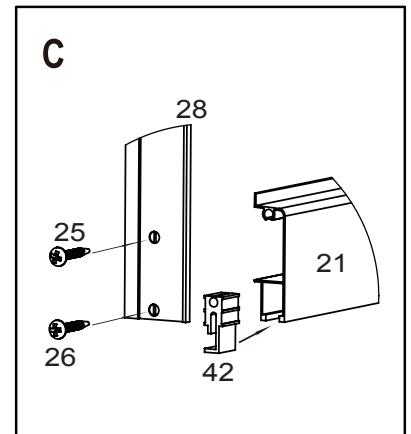
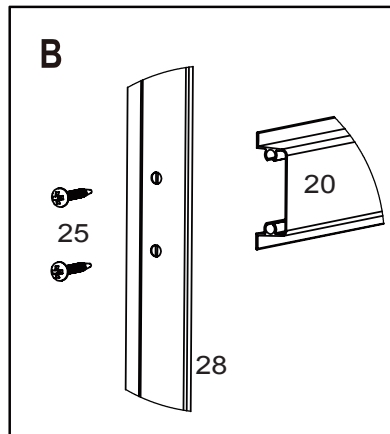
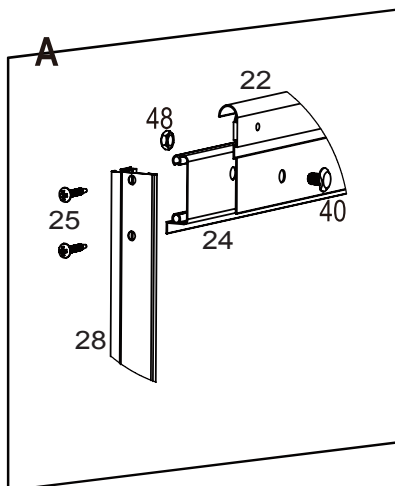
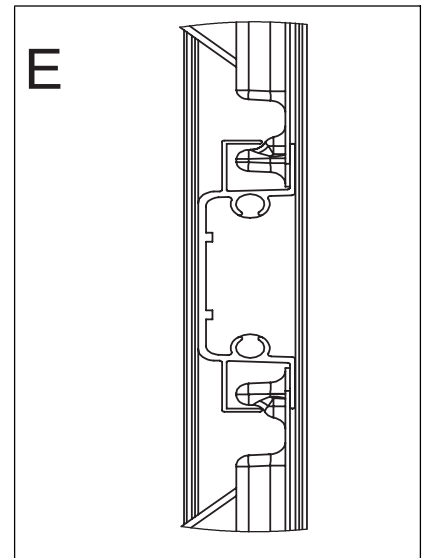
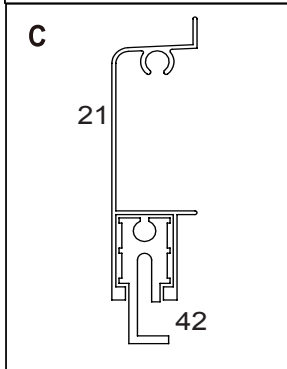
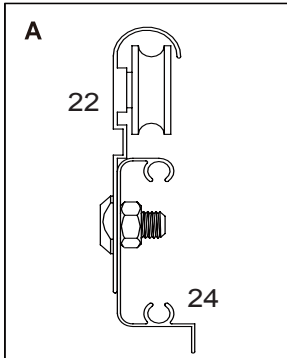
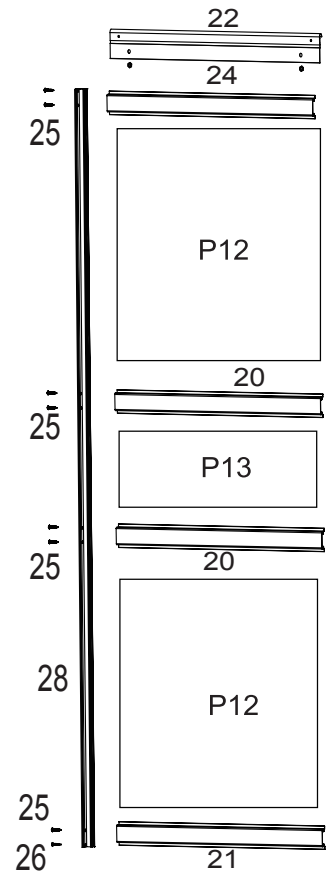
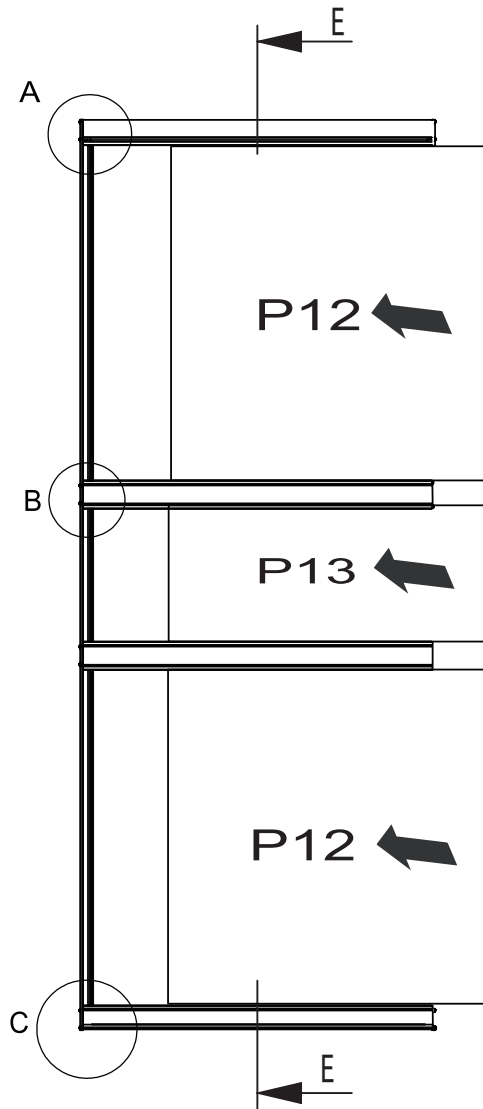
Osa nr	Kogus	Joonis	Mõõtmed (mm)
20	1TK		610
21	1TK		610
22	1TK		608
24	1TK		610
28	1TK		1600
25	7TK		
26	1TK		
40	2TK		
42	2TK		
48	2TK		

PC-paneelid

P12	2TK		597x597
P13	1TK		605x240

Vasakpoolne uks

Paigaldage esmalt tarvikud järjekorras A/B/C, seejärel sisestage PC-plaat 12/13






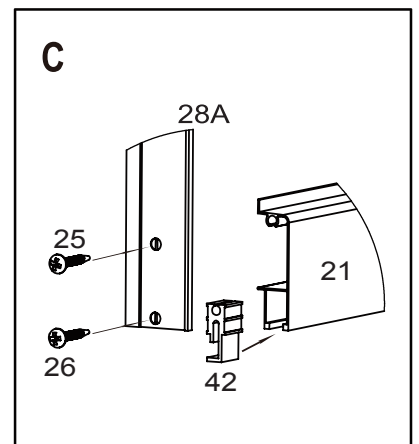
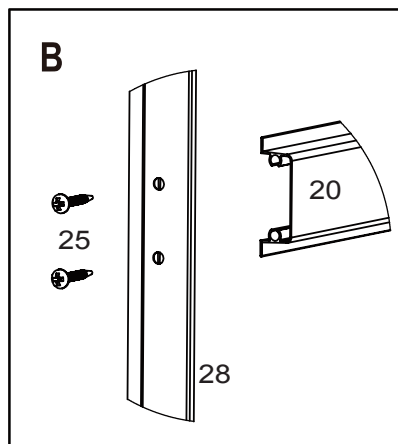
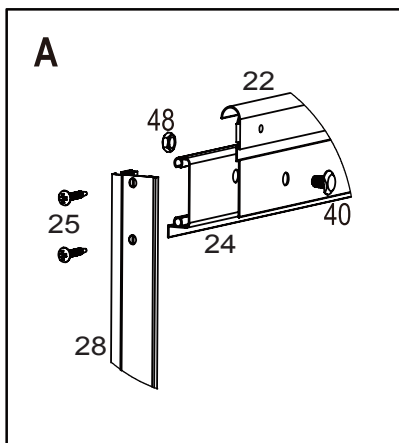
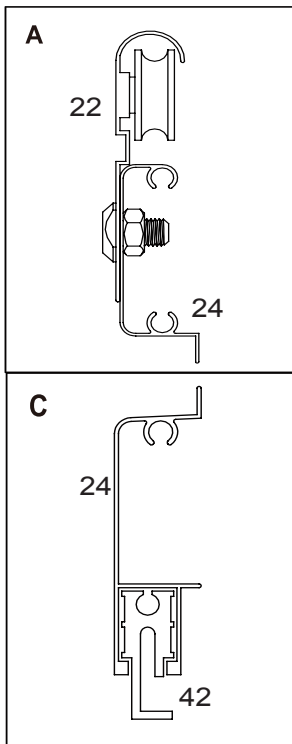
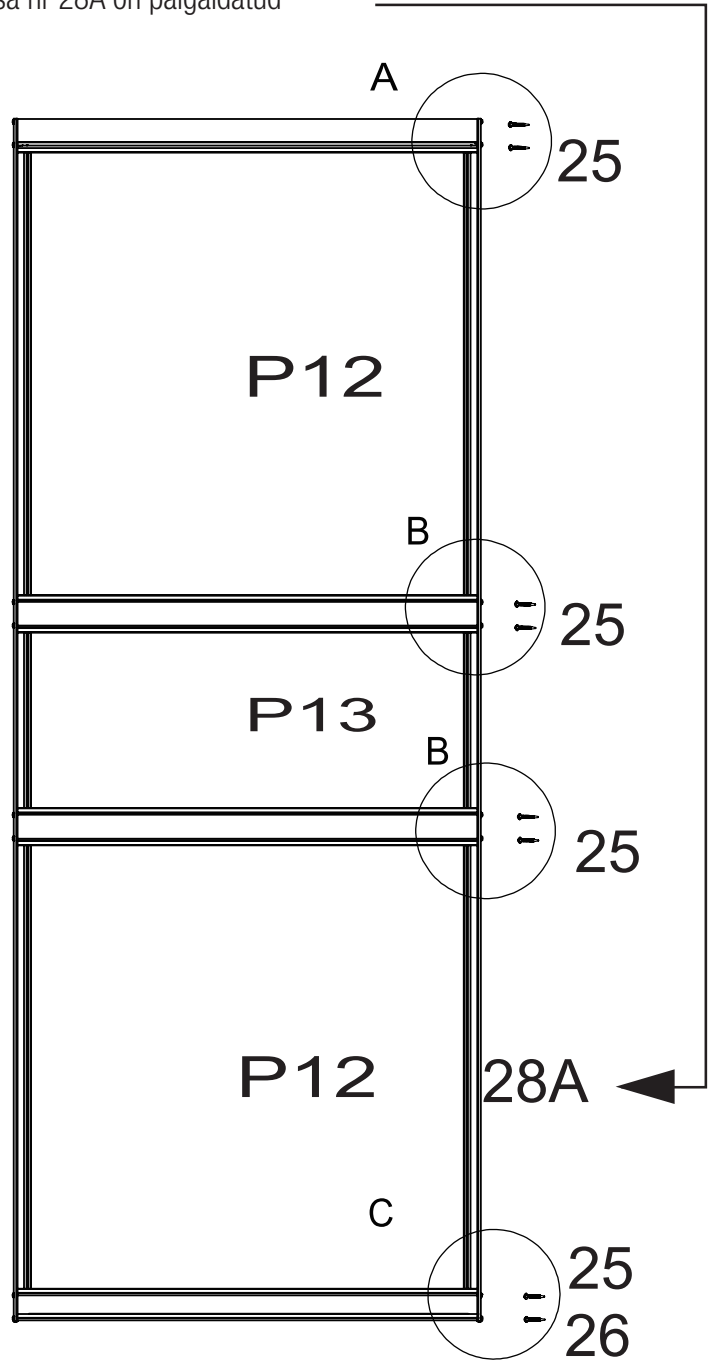
CELLO

Vasakpoolne uks

LÜKANDUKSE RAAMI KOKKUPANEK

Osa nr 28A on paigaldatud

Osa nr	Kogus	Joonis	Mõõtmed (mm)
25	7TK		
26	1TK		
28A	1TK		1600



CELLO

LÜKANDUKSE RAAMI KOKKUPANEK

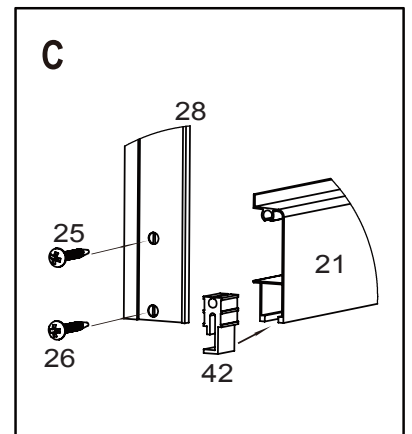
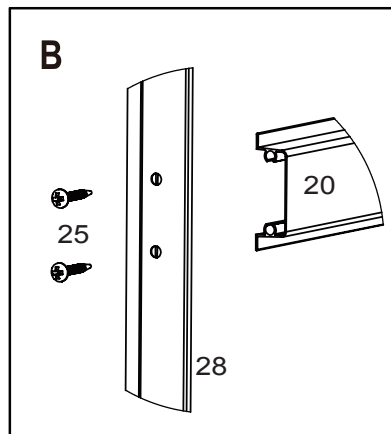
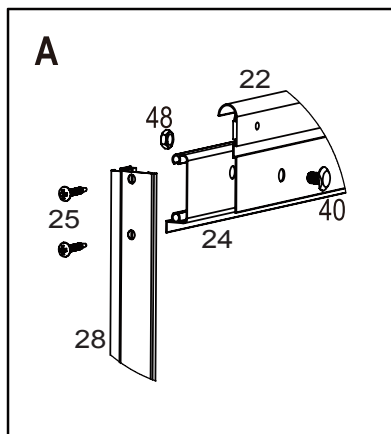
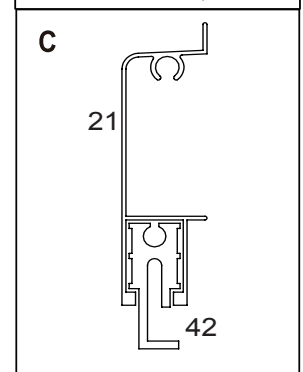
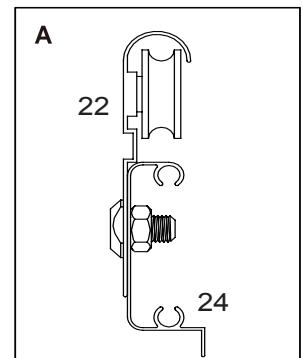
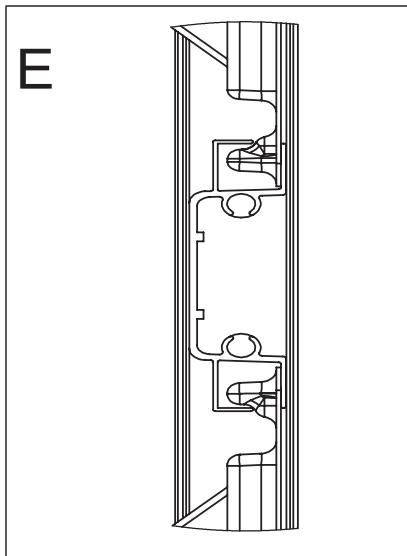
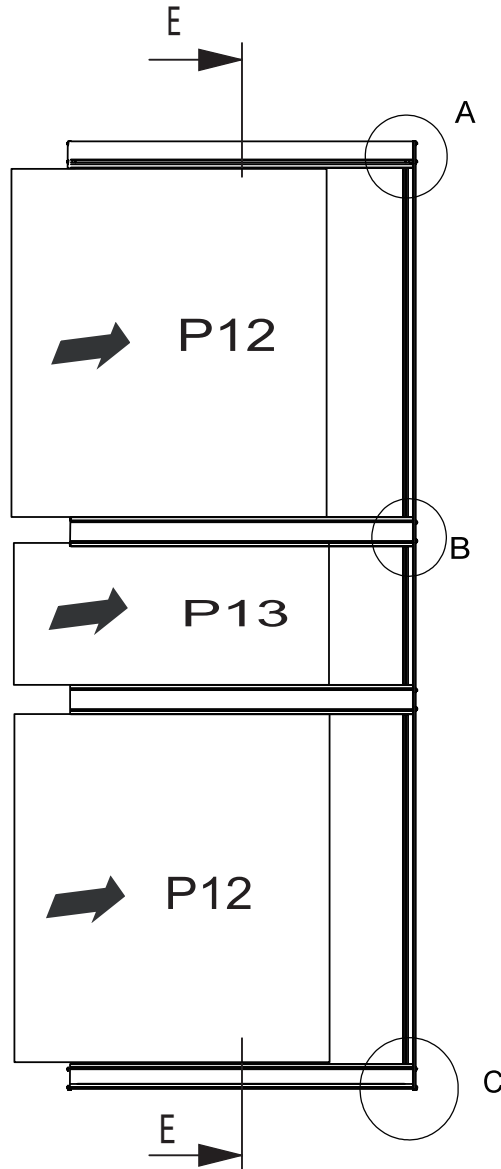
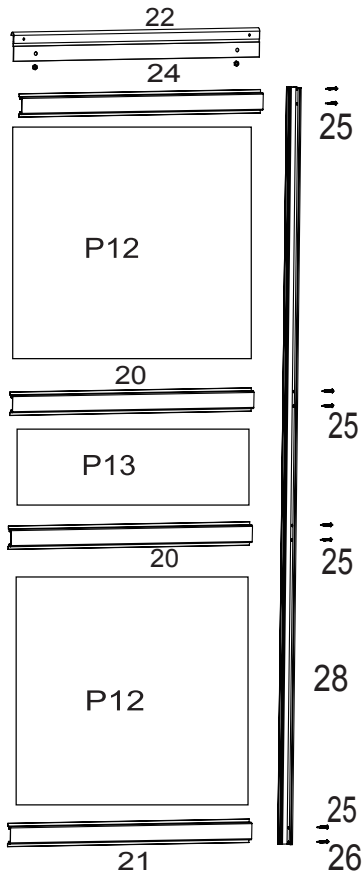
Osa nr	Kogus	Joonis	Mõõtmed (mm)
20	1TK		610
21	1TK		610
22	1TK		608
24	1TK		610
28	1TK		1600
25	7TK		
26	1TK		
40	2TK		
42	2TK		
48	2TK		

PC-paneelid

P12	2TK		597x597
P13	1TK		605x240

Parempoolne uks

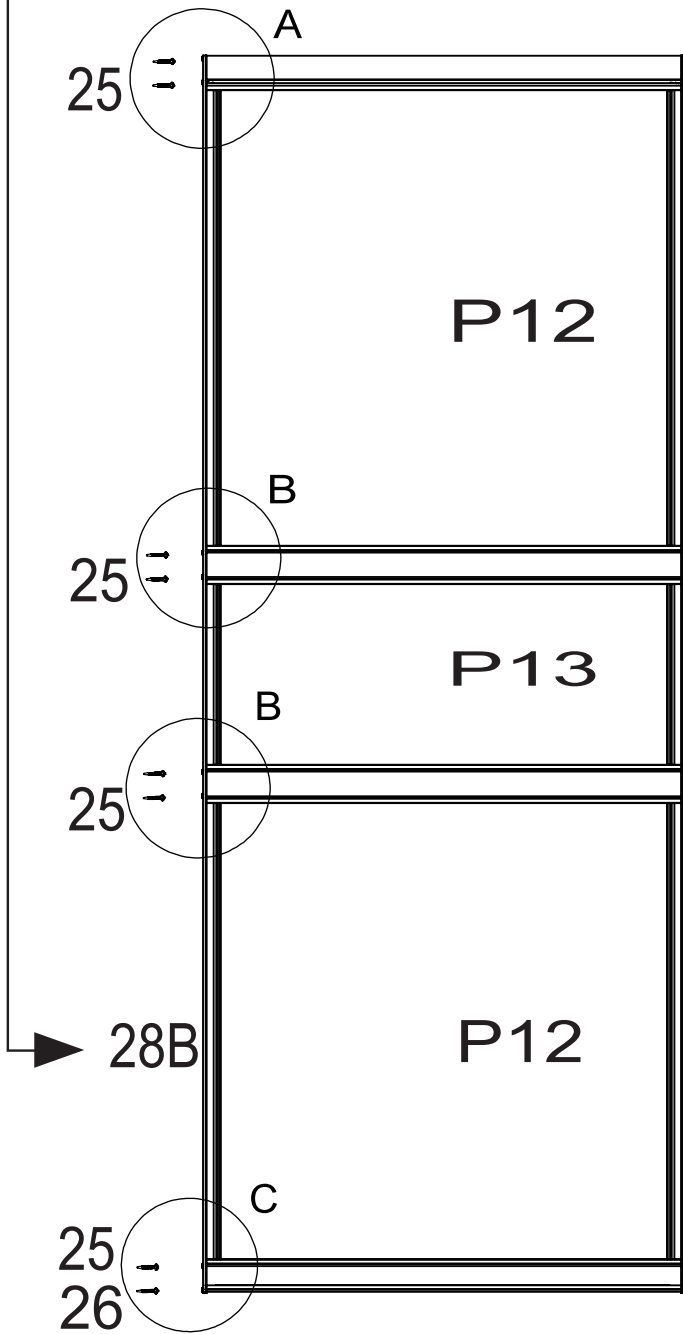
Paigaldage esmalt tarvikud järjekorras A/B/C, seejärel sisestage PC-plaat 12/13



CELLO

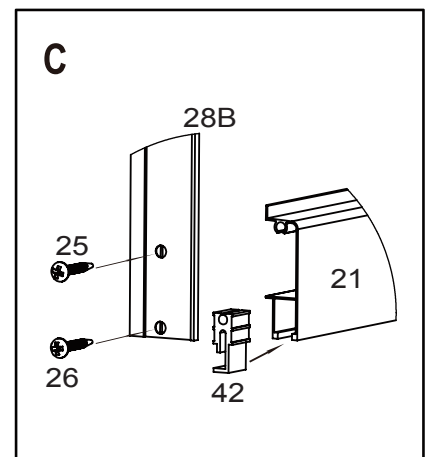
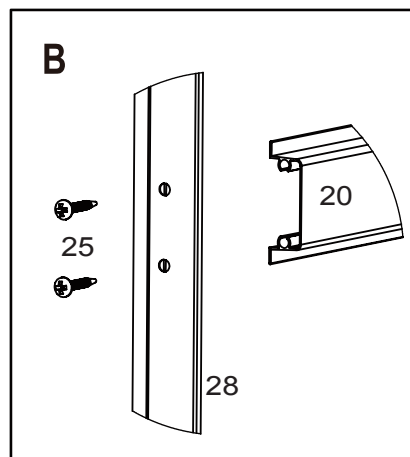
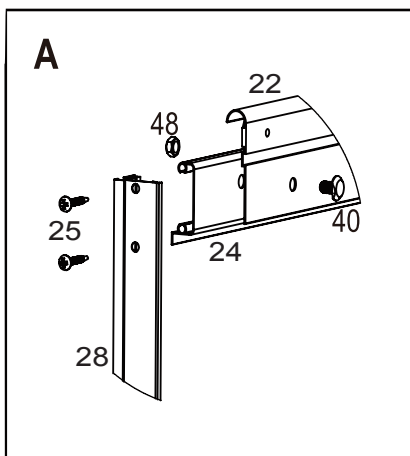
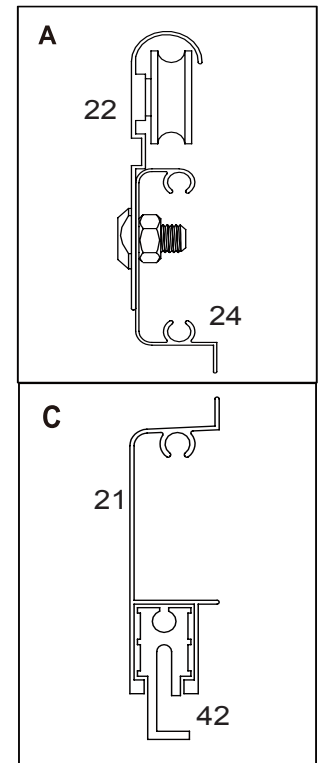
Parempoolne uks

Osa nr 28B on paigaldatud








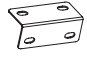

LÜKANDUKSE RAAMI KOKKUPANEK

Osa nr	Kogus	Joonis	Mõõtmed (mm)
25	7TK		
26	1TK		
28B	1TK		1600



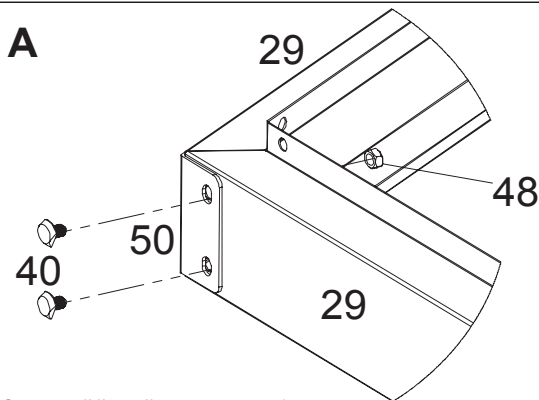
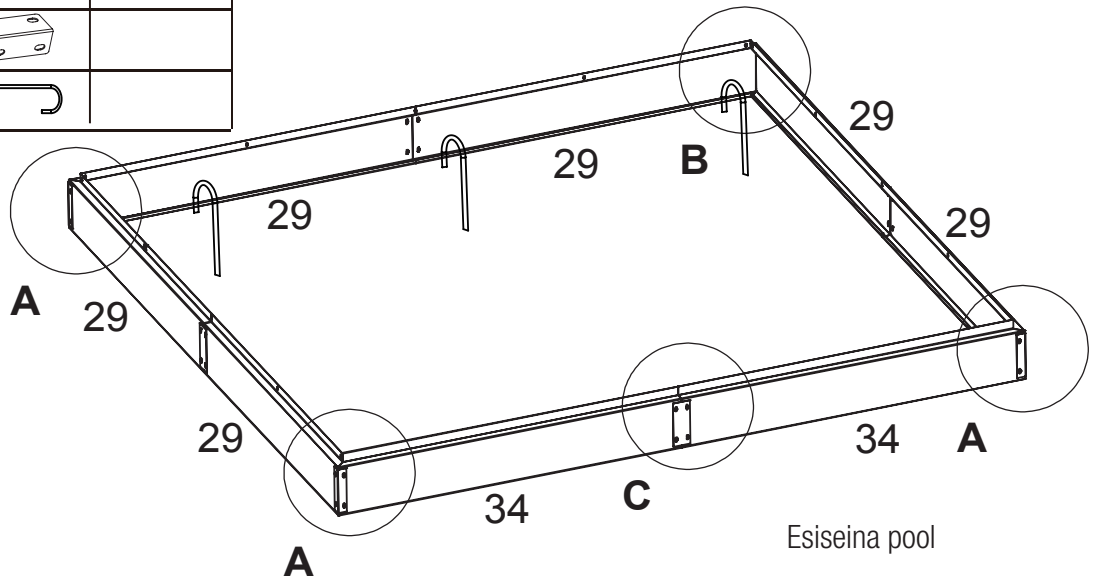
CELLO

ALUSE KOKKUPANEK

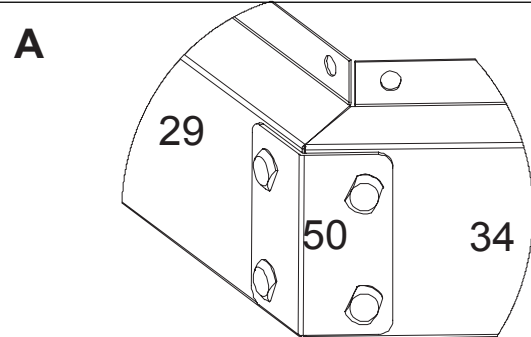
Osa nr	Kogus	Joonis	Mõõtmed (mm)
29	6TK		1232
34	2TK		1232
40	32TK		
48	32TK		
49	4TK		
50	4TK		
52	12TK		

Aluse paigaldamin

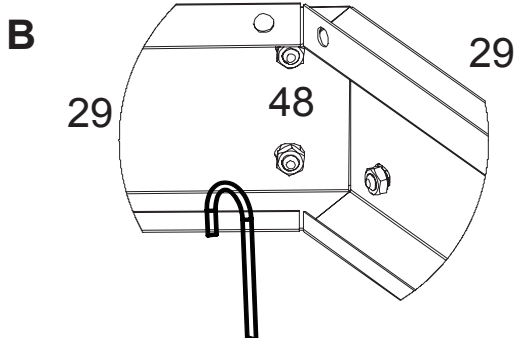
Osad 29/34 ühendatakse osadega 49/50, seejärel kinnitatakse väljapoole kruviga nr 40 ja pingutatakse mutriga nr 48.



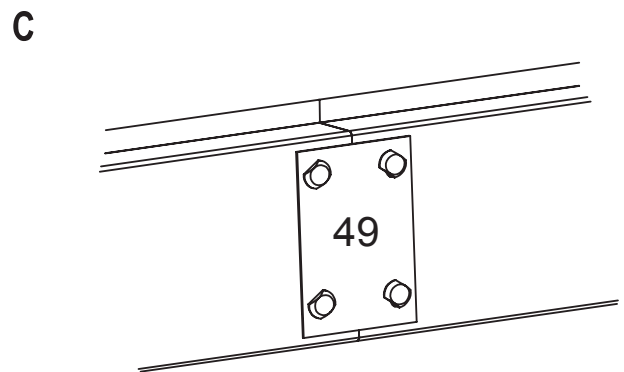
Osa A jääb väljapoole. Võtke arvesse osade 40 ja 48 kokkupanekujuhiseid.



Osa A jääb väljapoole, pöörake tähelepanu osa nr 34 kokkupanekusuunale.






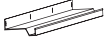


Osa B jääb sissepoole, võtke arvesse osa nr 40 kokkupanekusuunda.



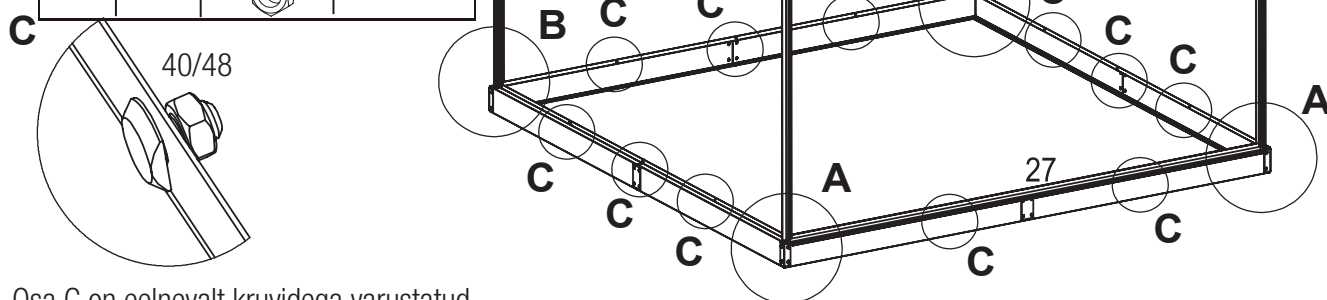
Osa C jääb väljapoole, pöörake tähelepanu osa nr 49 kokkupanekusuunale.

CELLO

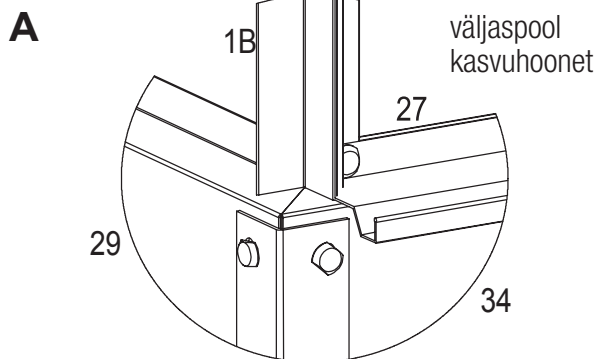
KÜLGSEINTE RAAMI KOKKUPANEK

Osa nr	Kogus	Joonis	Mõõtmed (mm)
3	2TK		1670
1A	1TK		2217
1B	1TK		2217
27	1TK		2408
40	19TK		
48	19TK		

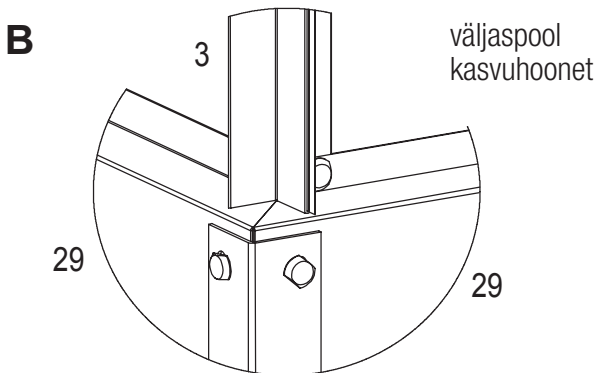
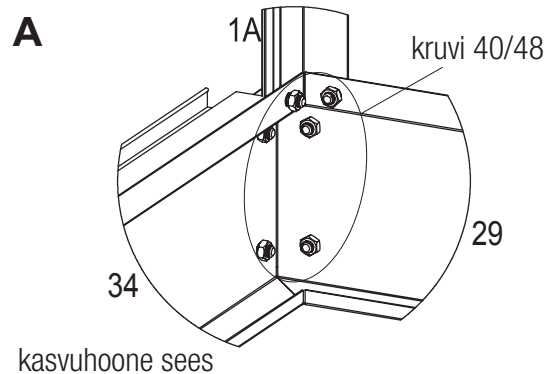
Selle kokkupanekuetaapi jaoks on vaja kaht inimest!



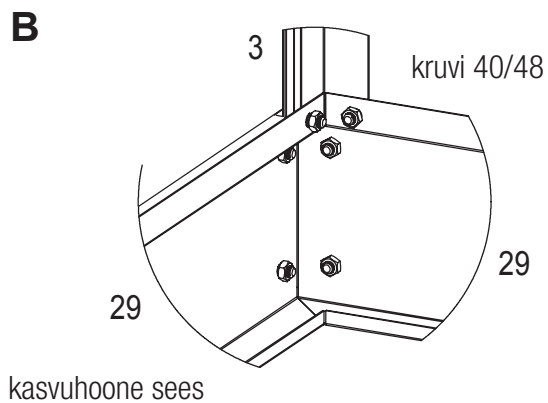
Osa C on eelnevalt kruvidega varustatud.



Osa 1/27 kinnitatakse kruvidega aluse külge.

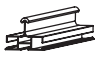
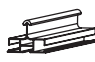

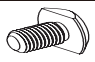



Osa nr 3 kinnitatakse aluse külge



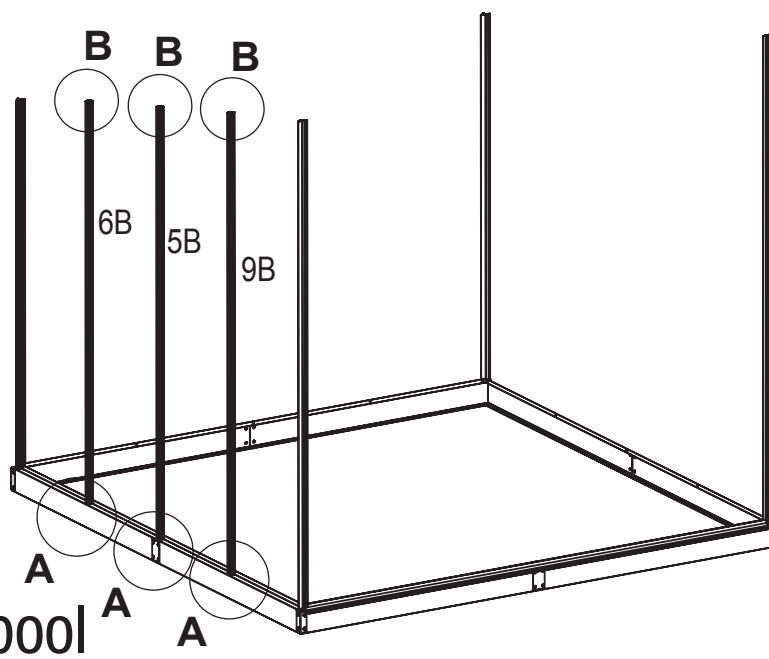
CELLO

KÜLGSEINTE RAAMI KOKKUPANEK

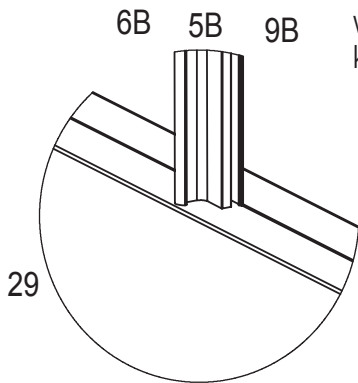
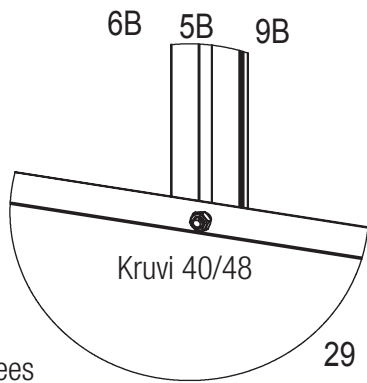
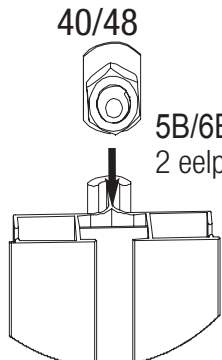
Osa nr	Kogus	Joonis	Mõõtmed (mm)
5B	1TK		1957
6B	1TK		1829
9B	1TK		2098
40	6TK		
48	6TK		



Selle kokkupaneuetapi jaoks on vaja kaht inimest!

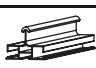
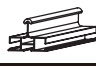

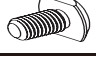



Vasak pool

<p>A</p> <p>6B 5B 9B väljaspool kasvuhoonet</p>  <p>Osa 5B/6B/9B kinnitatakse aluse külge</p>	<p>A</p> <p>6B 5B 9B</p>  <p>Kruvi 40/48</p> <p>kasvuhooone sees</p>
<p>B</p> <p>40/48</p>  <p>5B/6B 2 eelpaigaldatud kruvi</p> <p>Osa B on eelnevalt kruvidega varustatud.</p>	

CELLO

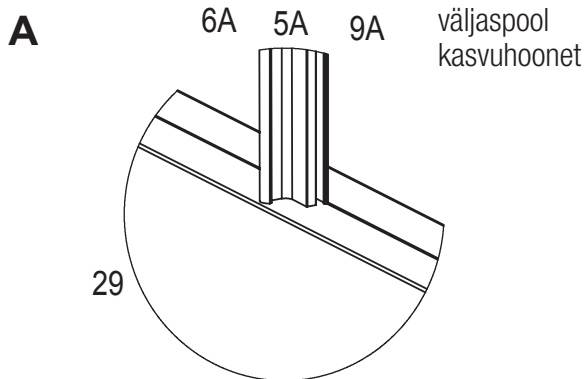
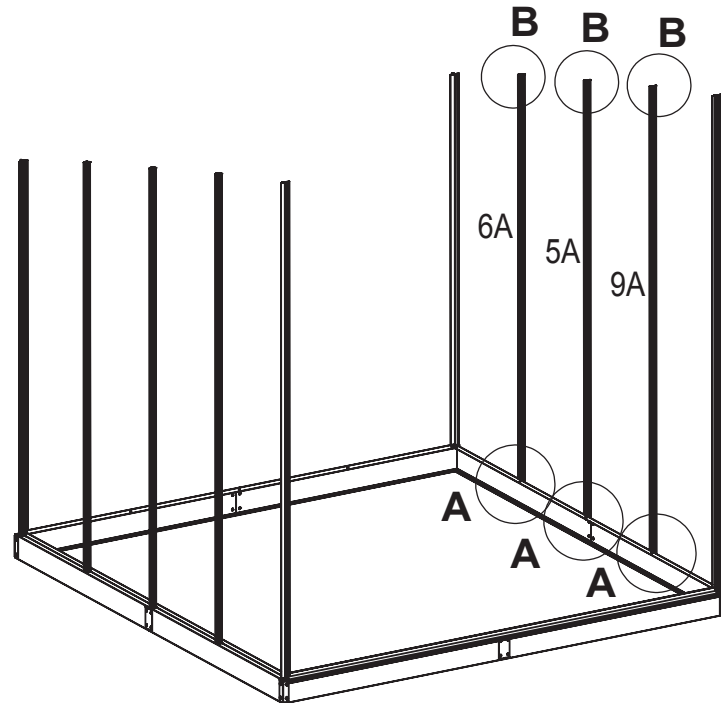
KÜLGSEINTE RAAMI KOKKUPANEK

Osa nr	Kogus	Joonis	Mõõtmed (mm)
5A	1TK		1957
6A	1TK		1829
9A	1TK		2098
40	6TK		
48	6TK		

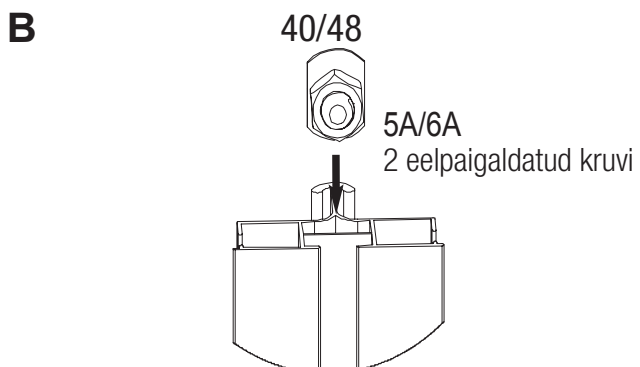
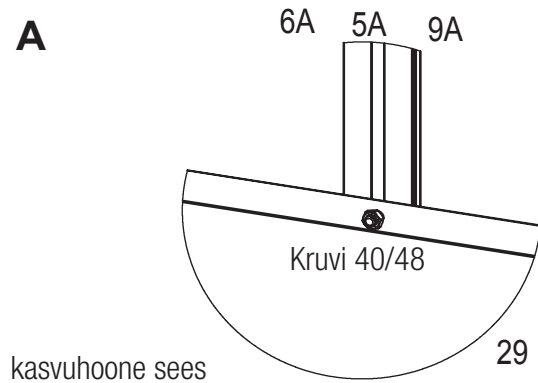


Selle kokkupanekuetaapi jaoks on vaja kaht inimest!

Parem pool



Osa 5B/6B/9B kinnitatakse aluse külge.



Osa B on eelnevalt kruvidega varustatud.

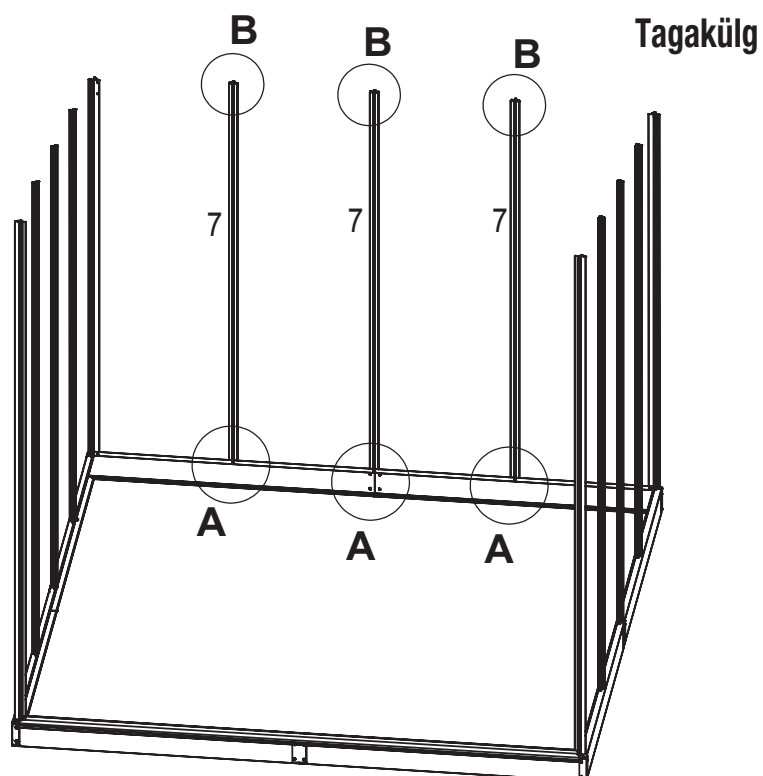
CELLO

KÜLGSEINTE RAAMI KOKKUPANEK

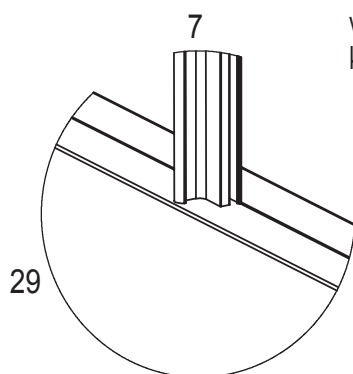
Osa nr	Kogus	Joonis	Mõõtmed (mm)
7	1TK		1695
40	6TK		
48	6TK		



Selle kokkupanekuetapi jaoks on vaja kaht inimest!



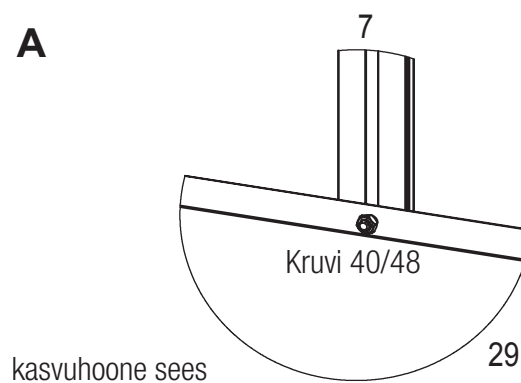
A



väljaspool kasvuhoonet

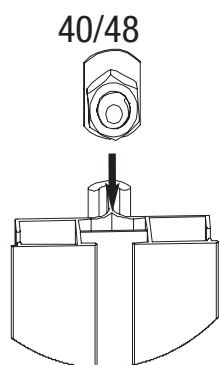
Osa nr 7 kinnitatakse aluse külge

A



kasvuhooone sees

B



Osa B on eelnevalt kruvidega varustatud.

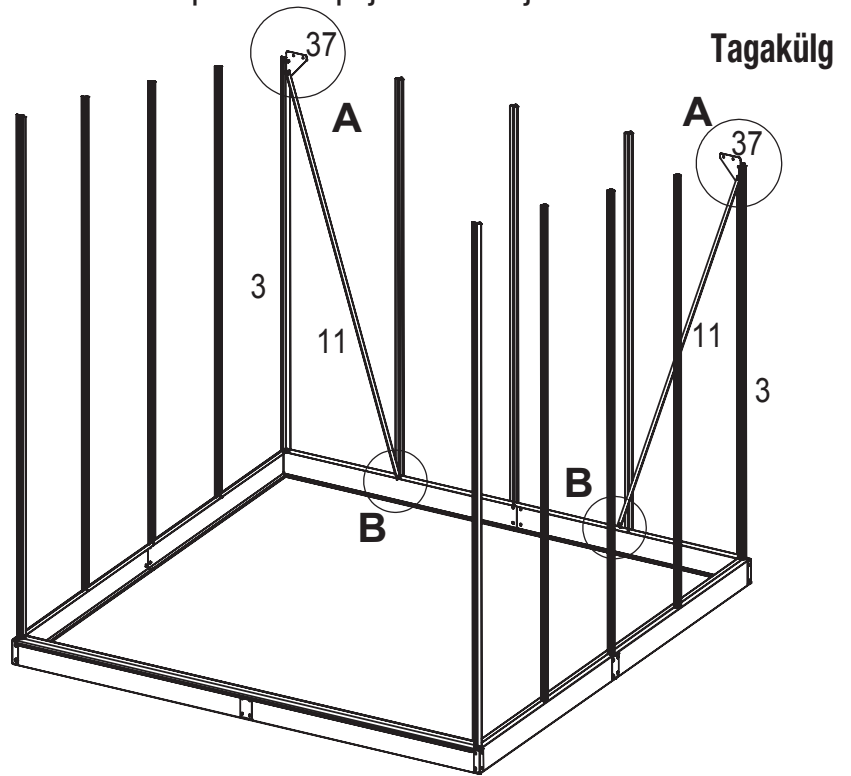
CELLO

KÜLGSEINTE RAAMI KOKKUPANEK



Osa nr	Kogus	Joonis	Mõõtmed (mm)
11	2TK		1720
37	2TK		
40	6TK		
48	6TK		

Selle kokkupanekuetaapi jaoks on vaja kaht inimest!



<p>A</p> <p>kasvuhoone sees</p> <p>Kruvi 40/48</p> <p>37</p> <p>3</p> <p>11</p> <p>Esmalt paigaldada osa nr 37, seejärel osa nr 11</p>	<p>B</p> <p>kasvuhoone sees</p> <p>11</p> <p>7</p> <p>Kruvi 40/48</p> <p>kasvuhoone sees</p>
<p>A</p> <p>kasvuhoone sees</p> <p>Kruvi 40/48</p> <p>37</p> <p>3</p> <p>11</p> <p>Esmalt paigaldada osa nr 37, seejärel osa nr 11</p>	<p>B</p> <p>kasvuhoone sees</p> <p>7</p> <p>11</p> <p>Kruvi 40/48</p> <p>kasvuhoone sees</p>

CELLO

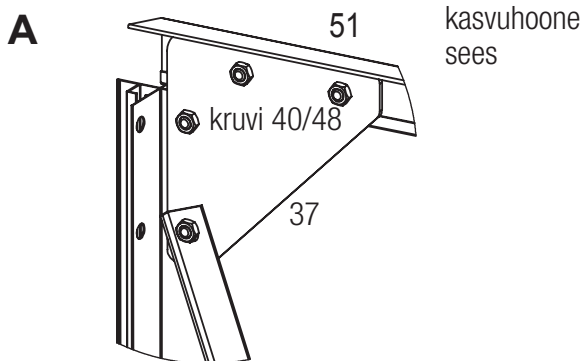
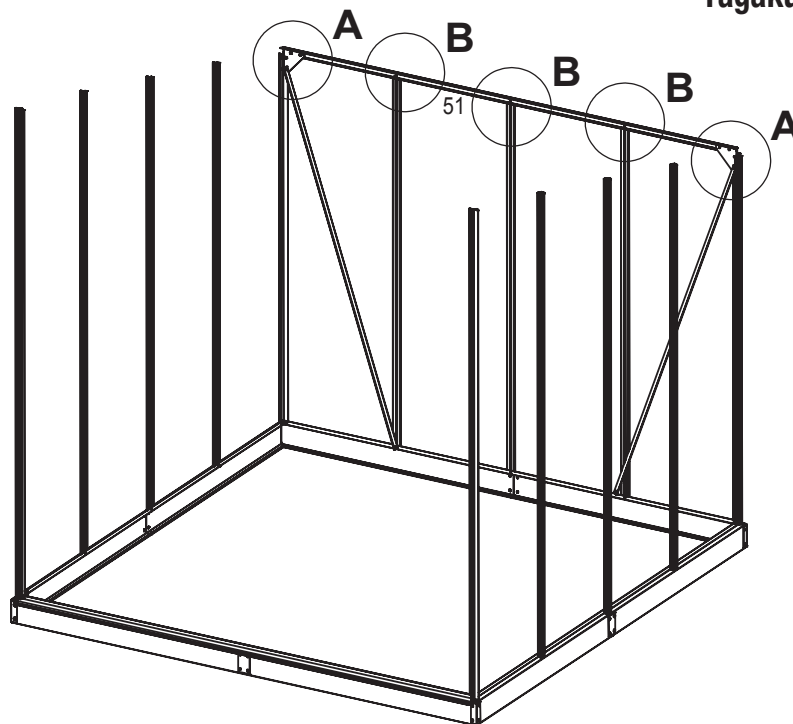
KÜLGSEINTE RAAMI KOKKUPANEK

Osa nr	Kogus	Joonis	Mõõtmed (mm)
51	1TK		
40	4TK		
48	4TK		

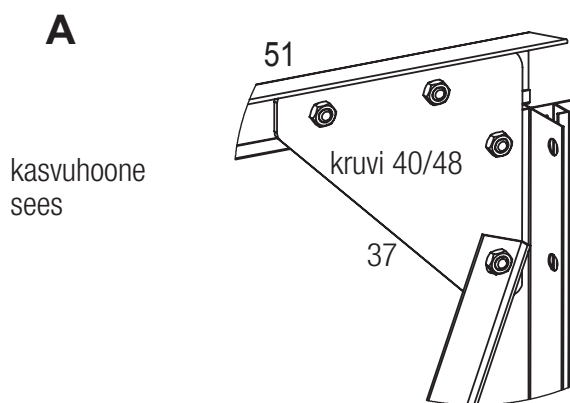


Selle kokkupanekuetapi jaoks on vaja kaht inimest!

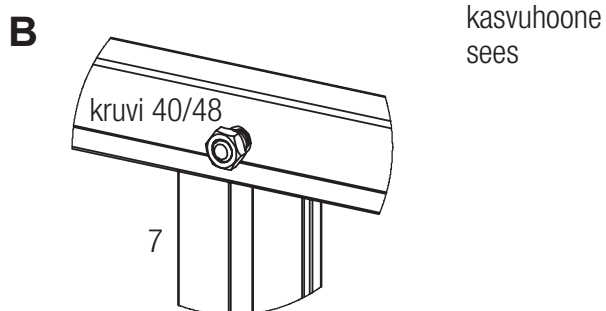
Tagakülg



Osa nr 51 kinnitatakse osa nr 37 külge



Osa nr 51 kinnitatakse osa nr 37 külge



Osa nr 51 kinnitatakse osa nr 7 külge

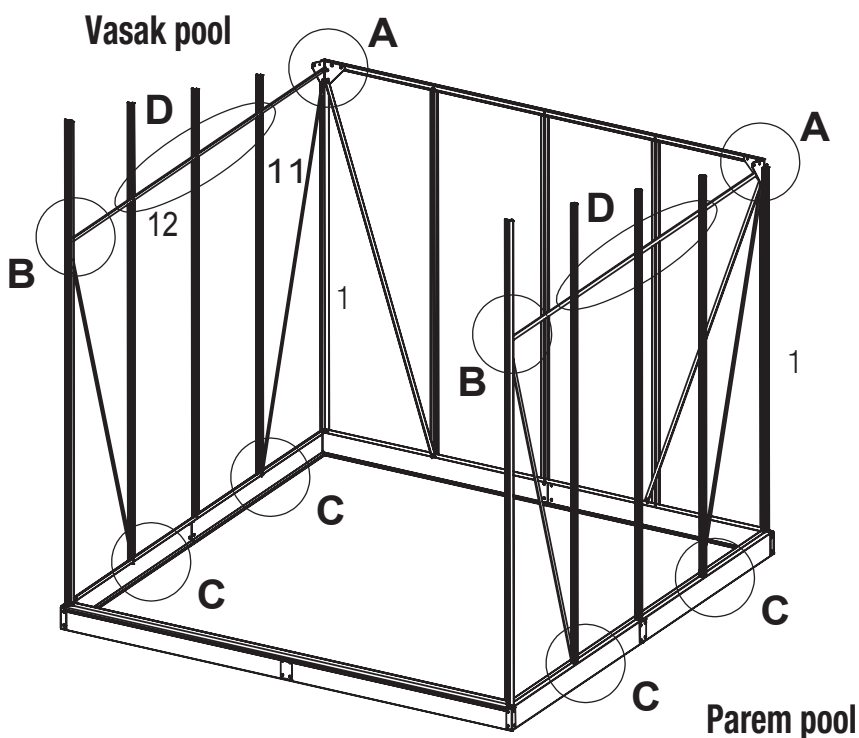
CELLO

KÜLGSEINTE RAAMI KOKKUPANEK



Osa nr	Kogus	Joonis	Mõõtmed (mm)
11	4TK		1720
12	2TK		2400
35	2TK		
40	22TK		
48	22TK		

Selle kokkupanekeuetapi jaoks on vaja kaht inimest!



Esmalt lisage osale 35 kinnituskruvid

<p>A</p> <p>kasvuhoone sees</p> <p>Kinnitage 11/12/35 osa nr 3 külge. Pange tähele osa 11/12 paigaldussuunda.</p>	<p>A</p> <p>kasvuhoone sees</p> <p>11/12 on kinnitatud osale nr 1</p>
<p>B</p> <p>kasvuhoone sees</p> <p>kruvi 40/48</p>	<p>D</p> <p>5B/6B/9B</p> <p>kruvi 40/48</p> <p>12</p> <p>5A/6A/9A</p> <p>kasvuhoone sees</p>

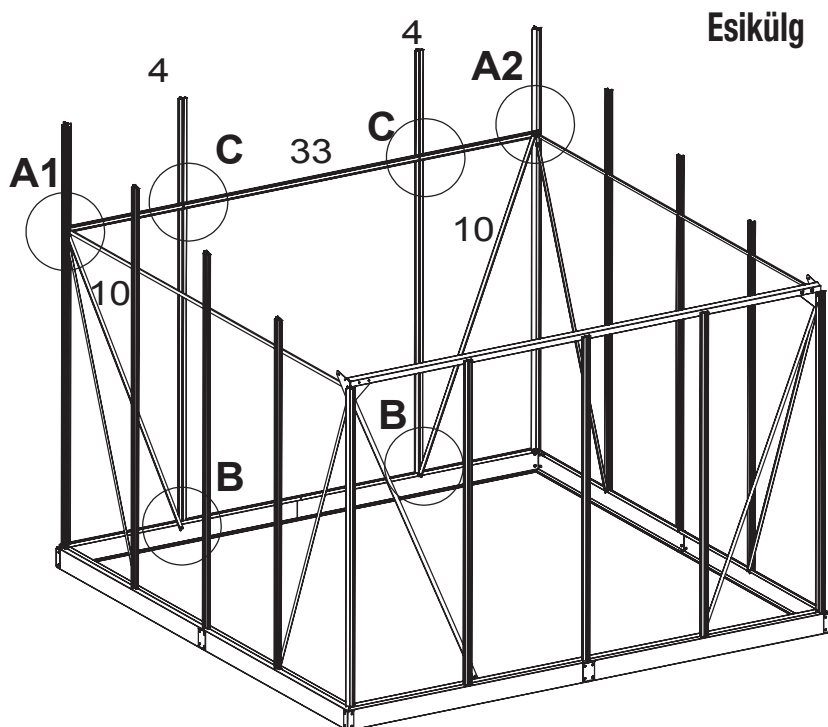
CELLO

KÜLGSEINTE RAAMI KOKKUPANEK



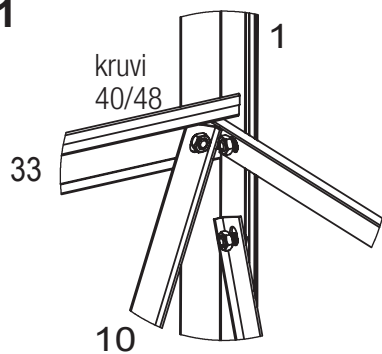
Osa nr	Kogus	Joonis	Mõõtmed (mm)
4	2TK		2230
10	2TK		1765
33	1TK		2406
40	8TK		
48	8TK		

Selle kokkupanekeuetapi jaoks on vaja kaht inimest!



Esikülg

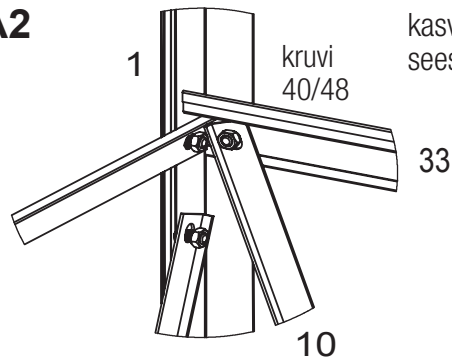
A1



kasvuhoone sees

10/33 on kinnitatud osale nr 1

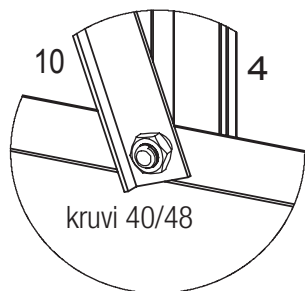
A2



kasvuhoone sees

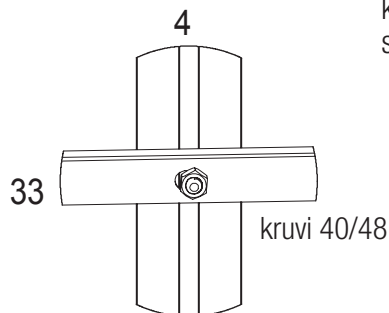
10/33 on kinnitatud osale nr 1

B



kasvuhoone sees

C



kasvuhoone sees

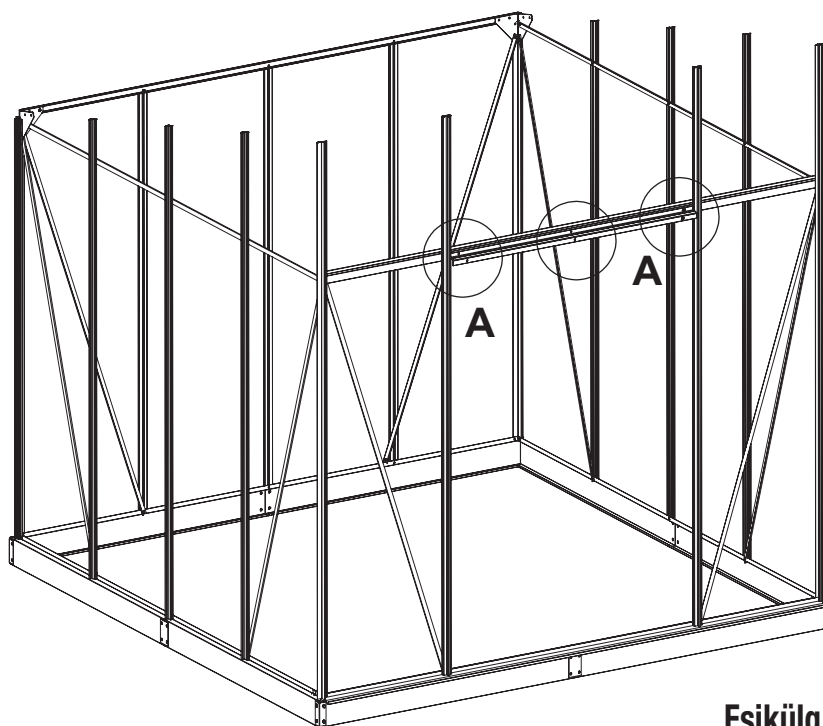
Nr 33 on kinnitatud osale nr 4

CELLO

KÜLGSEINTE RAAMI KOKKUPANEK

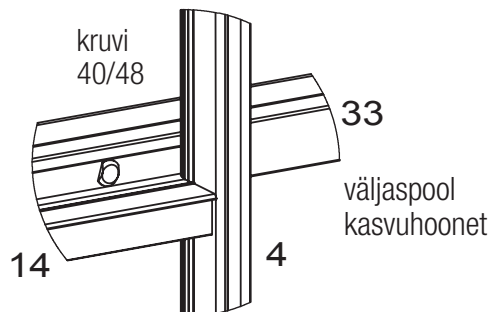


Osa nr	Kogus	Joonis	Mõõtmed (mm)
14	1TK		1176
40	3TK		
48	3TK		



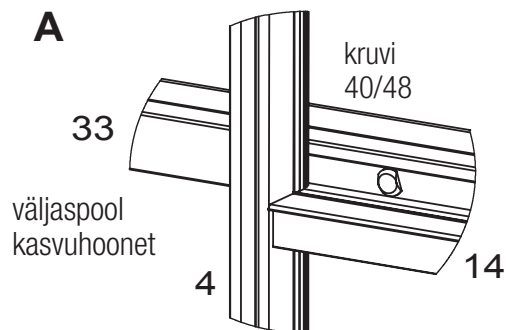
Esikülg

A



Nr 14 on kinnitatud osale nr 33

A

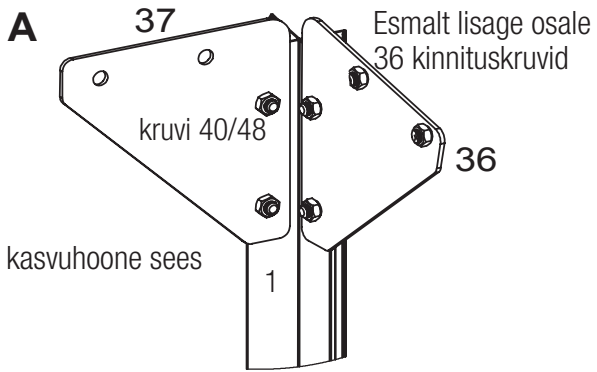
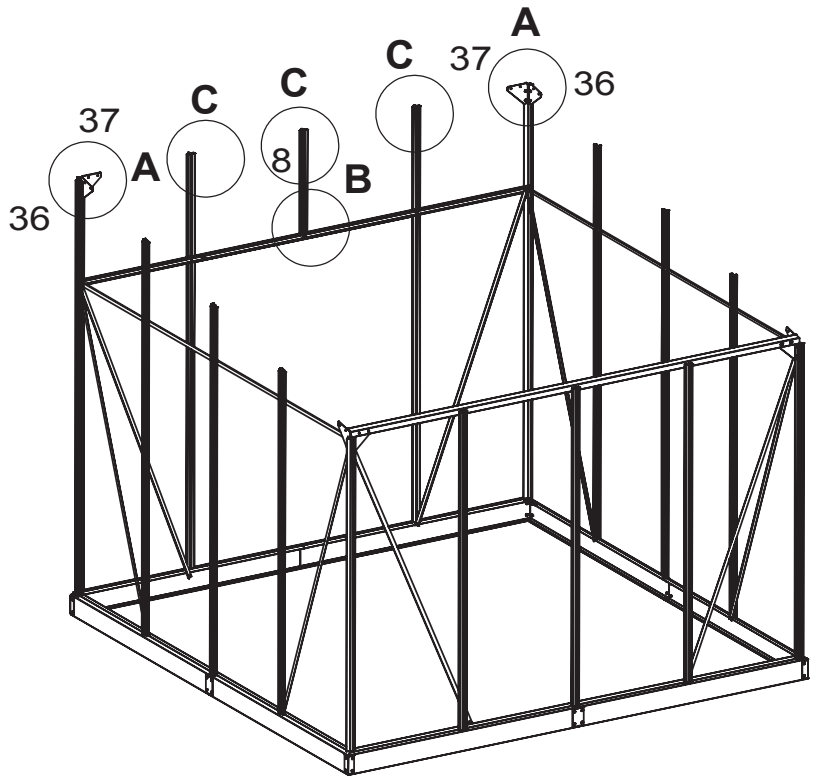


Nr 14 on kinnitatud osale nr 33

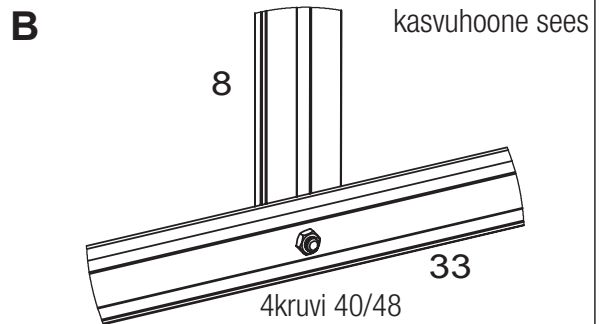
KÜLGSEINTE RAAMI KOKKUPANEK



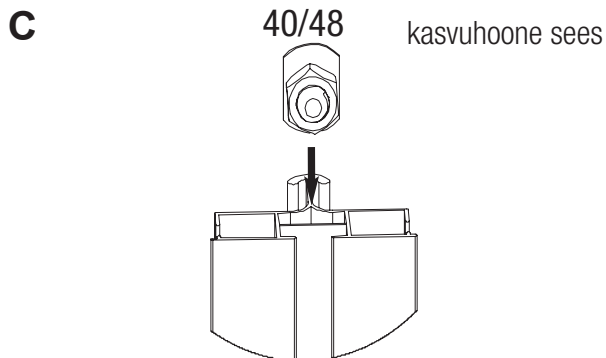
Osa nr	Kogus	Joonis	Mõõtmed (mm)
8	1TK		568
36	2TK		
37	2TK		
40	16TK		
48	16TK		



Nr 36/37 on kinnitatud osale nr 1



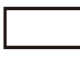

Nr 8 on kinnitatud osale nr 33



Osa C on eelnevalt kruvidega varustatud.

CELLO

SEINA PC-PANEELI PAIGALDAMINE

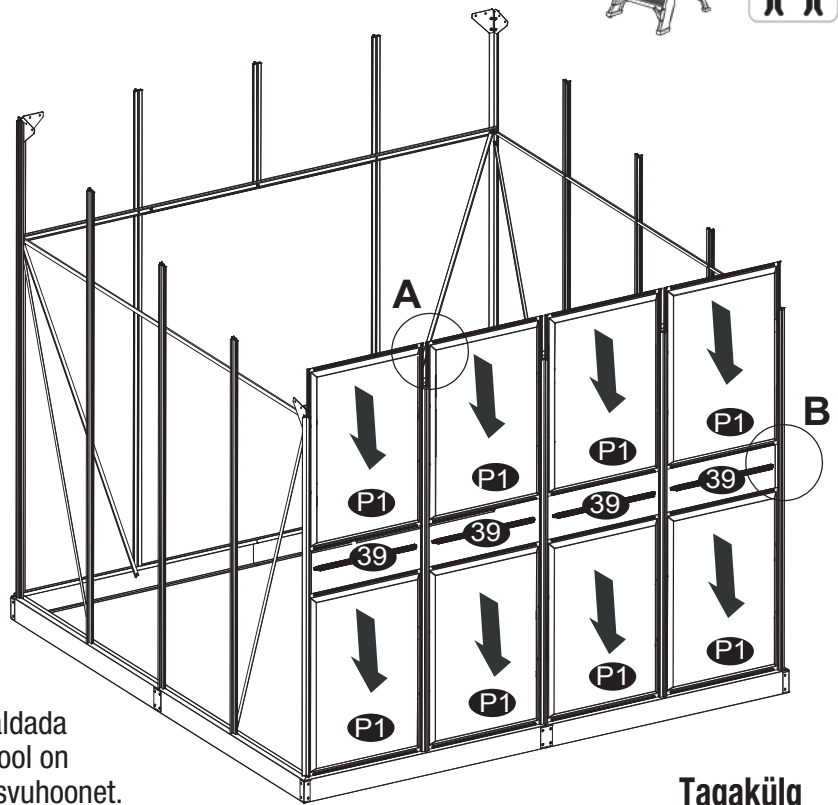
Osa nr	Kogus	Joonis	Mõõtmed (mm)
P1	8TK		845x590
39	4TK		568



Roheline kaitsekile
0,7 mm seinapaneelil
näitab, et see on
paneeli UV-vastase
kaitsega külj.

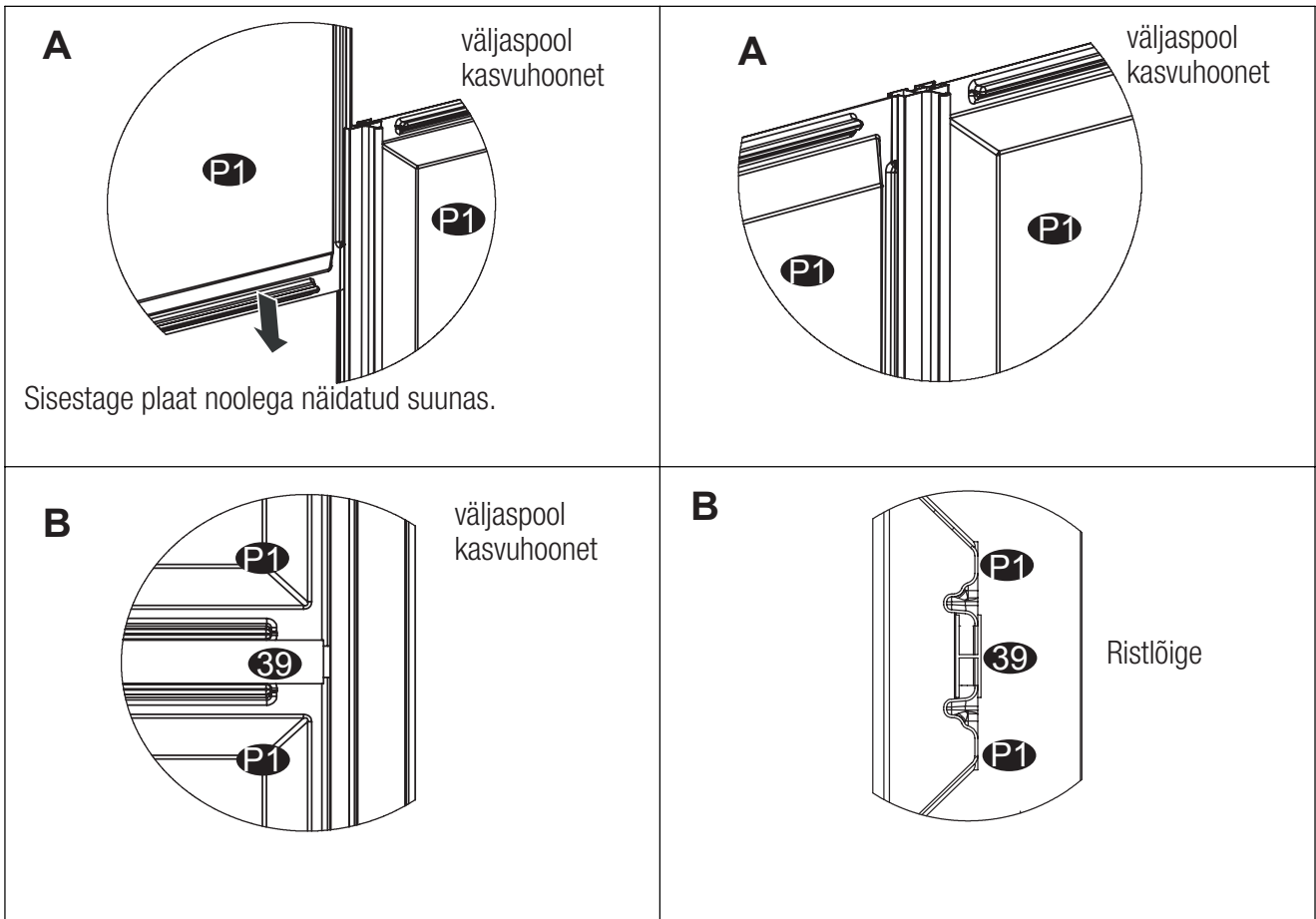


Läbipaistev kaitsekile
0,7 mm seinapaneelil
näitab, et see on paneeli
UV-vastase kaitseta külj.



Pidage meeles, et kaitsekile tuleb eemaldada
seinapaneeli mõlemalt poolt. Nõigus pool on
UV-kaitsega, asetage see väljapoole kasvuhoonet.

Tagakülj

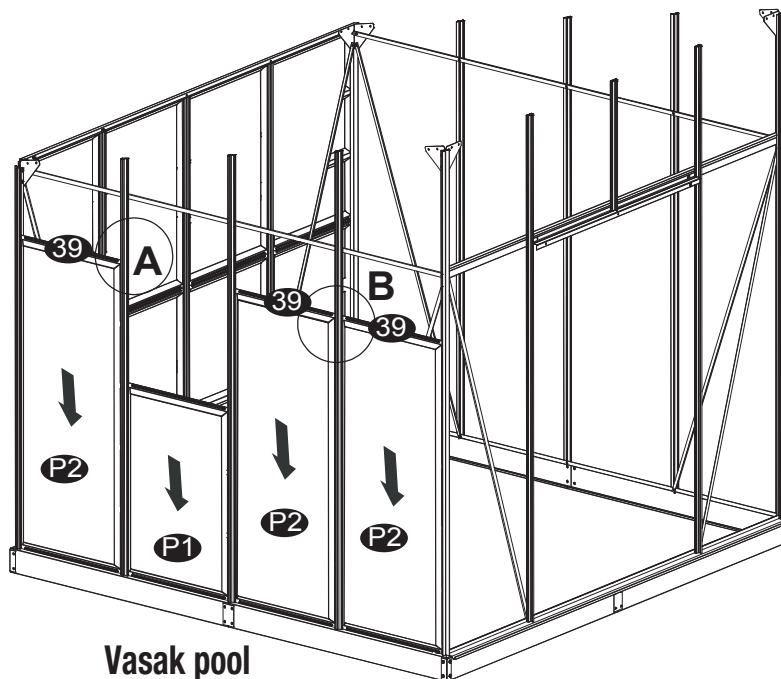


CELLO

SEINA PC-PANEELI PAIGALDAMINE

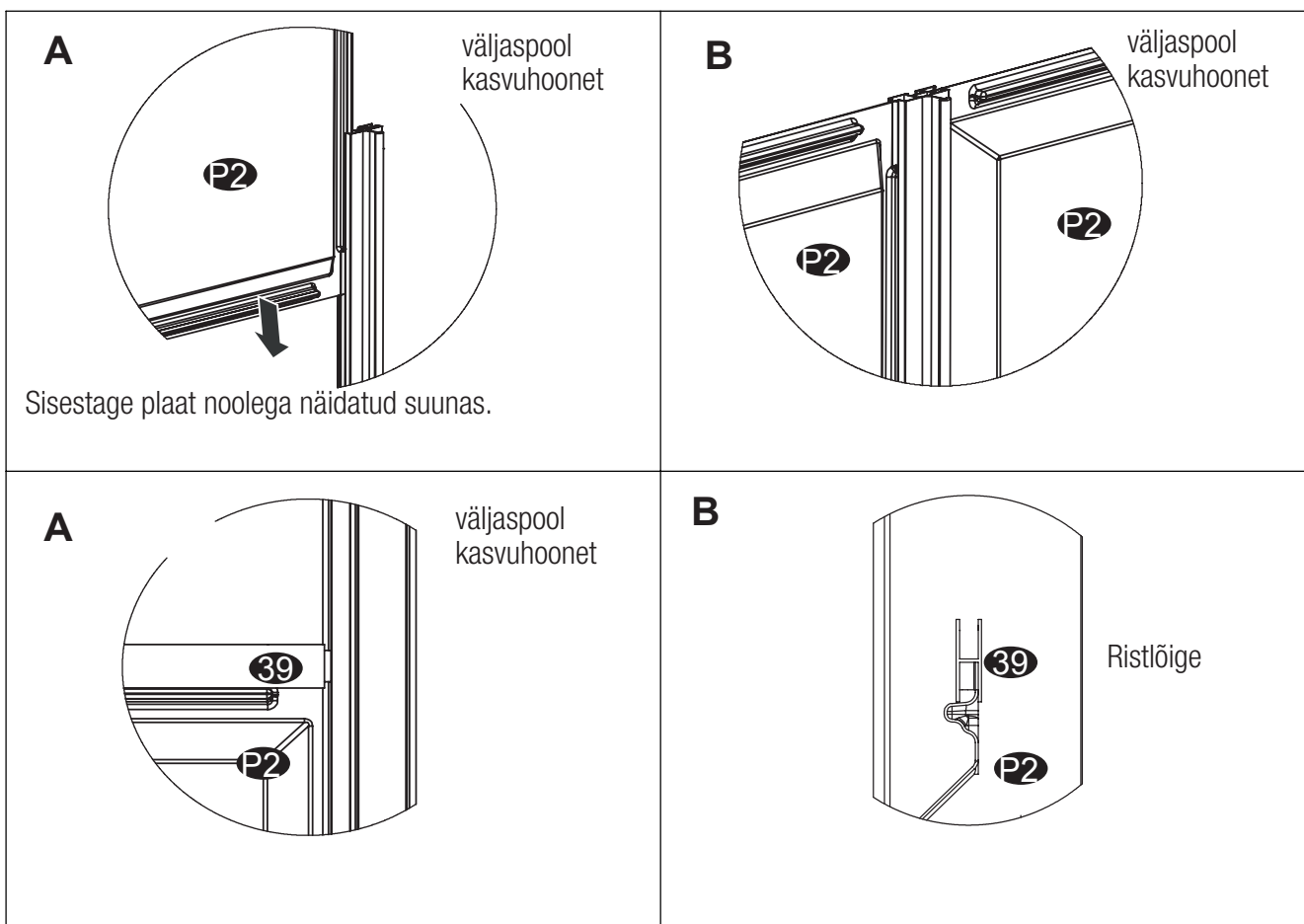


Osa nr	Kogus	Joonis	Mõõtmed (mm)
P1	1TK		845x590
P2	3TK		1367x590
39	3TK		568





Eemaldage kaitsekile paneeli mõlemalt poolt.

Vasak pool

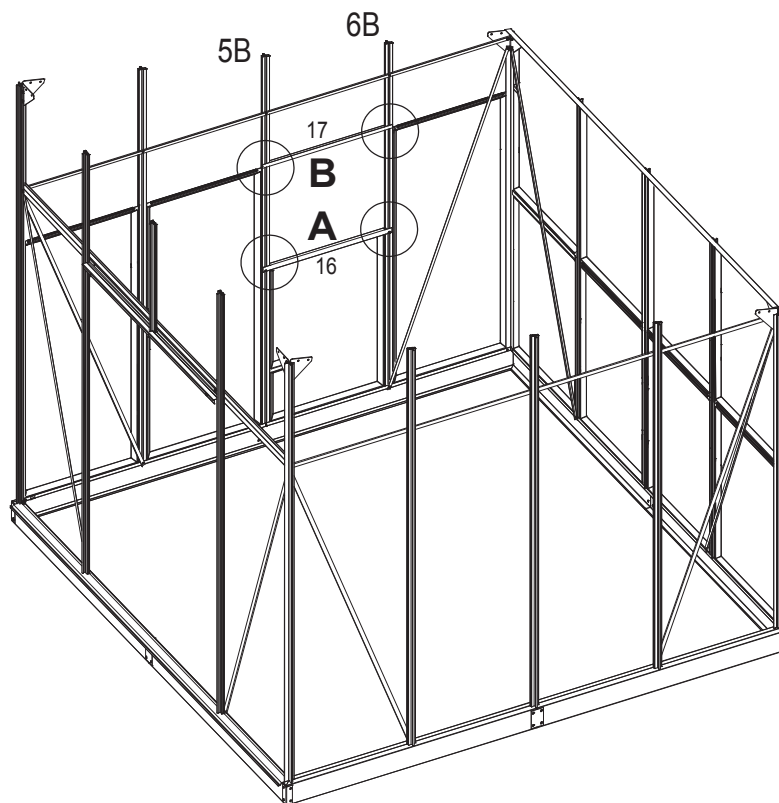


CELLO

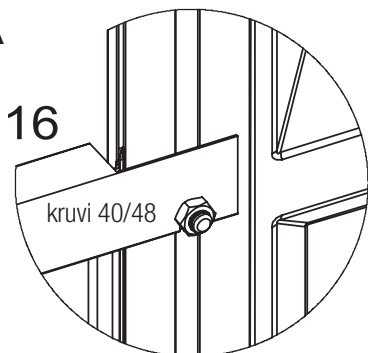
SEINA ÕHUVADE PAIGALDAMINE

Osa nr	Kogus	Joonis	Mõõtmed (mm)
16	1TK		635
17	1TK		638

Vasak pool



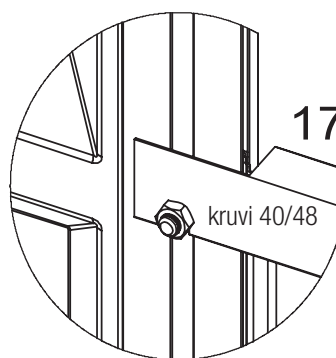
A



kasvuhoone sees

Nr 16 kinnitatakse osa 5B/6B külge.

B



kasvuhoone sees

Nr 17 kinnitatakse osa 5B/6B külge.

A-B



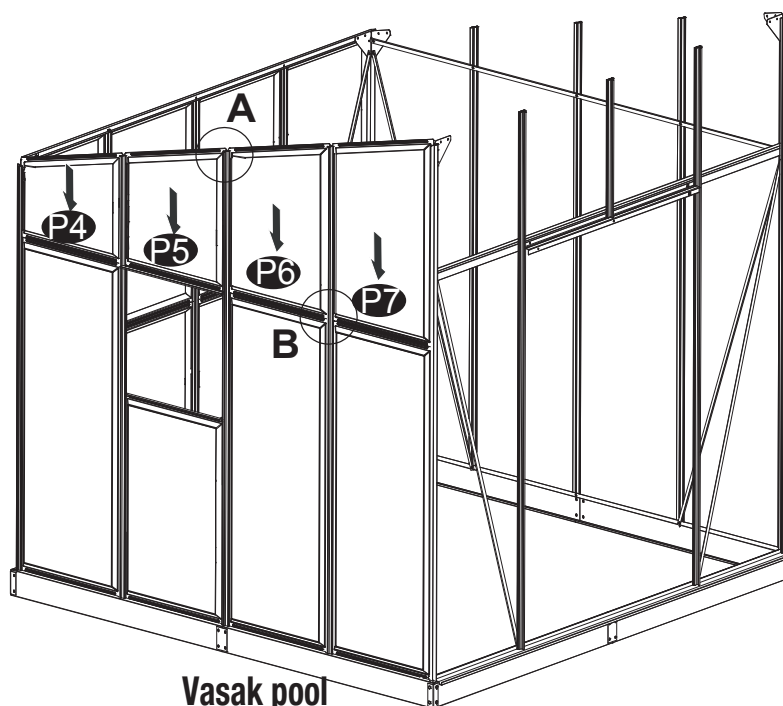
Osa A/B paigalduse ristlõige



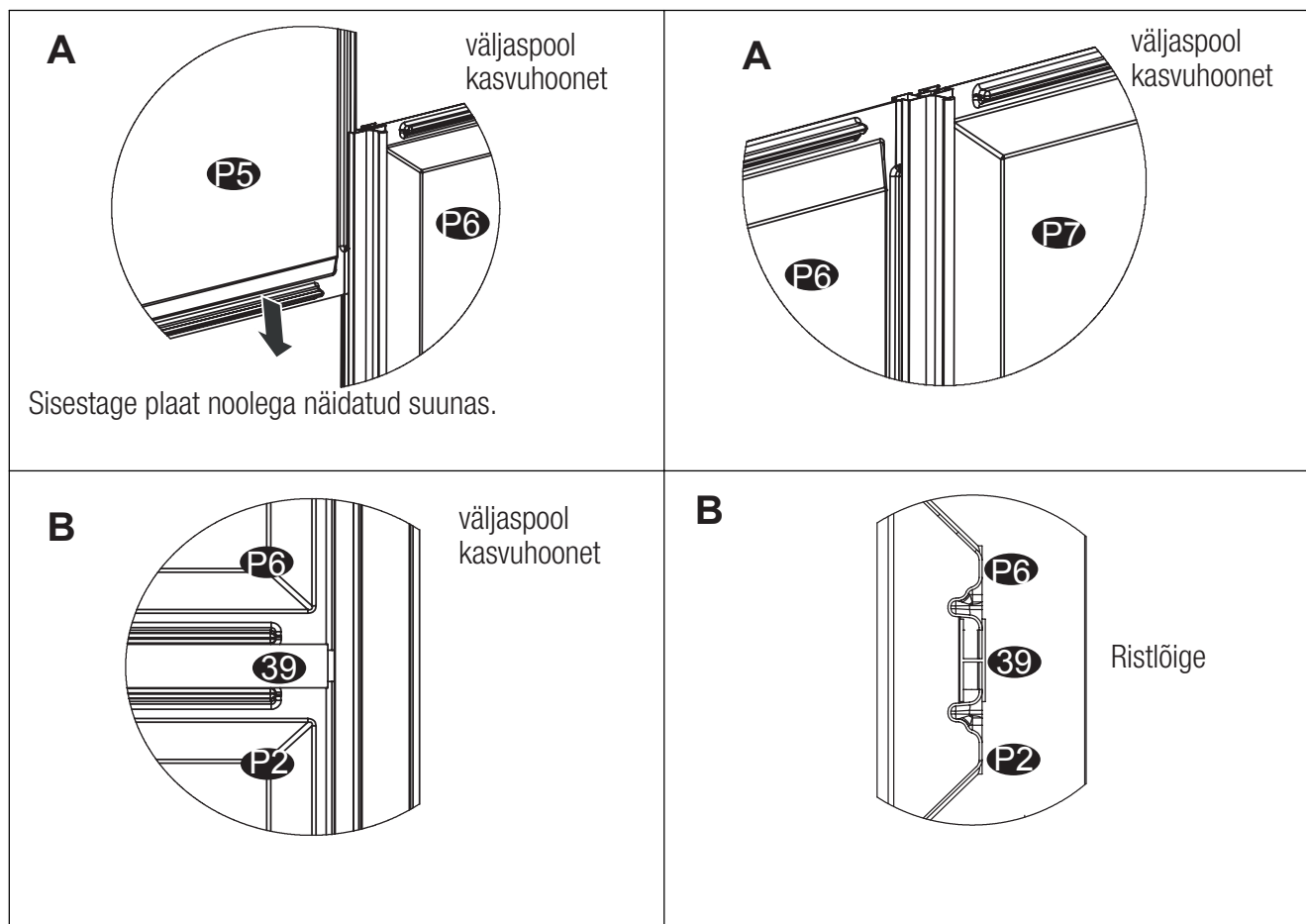
CELLO

SEINA PC-PANEELI PAIGALDAMINE

Osa nr	Kogus	Joonis	Mõõtmed (mm)
P4	1TK		450x590
P5	1TK		590x590
P6	1TK		720x585
P7	1TK		590x853



Eemaldage kaitsekile paneeli mõlemalt poolelt.



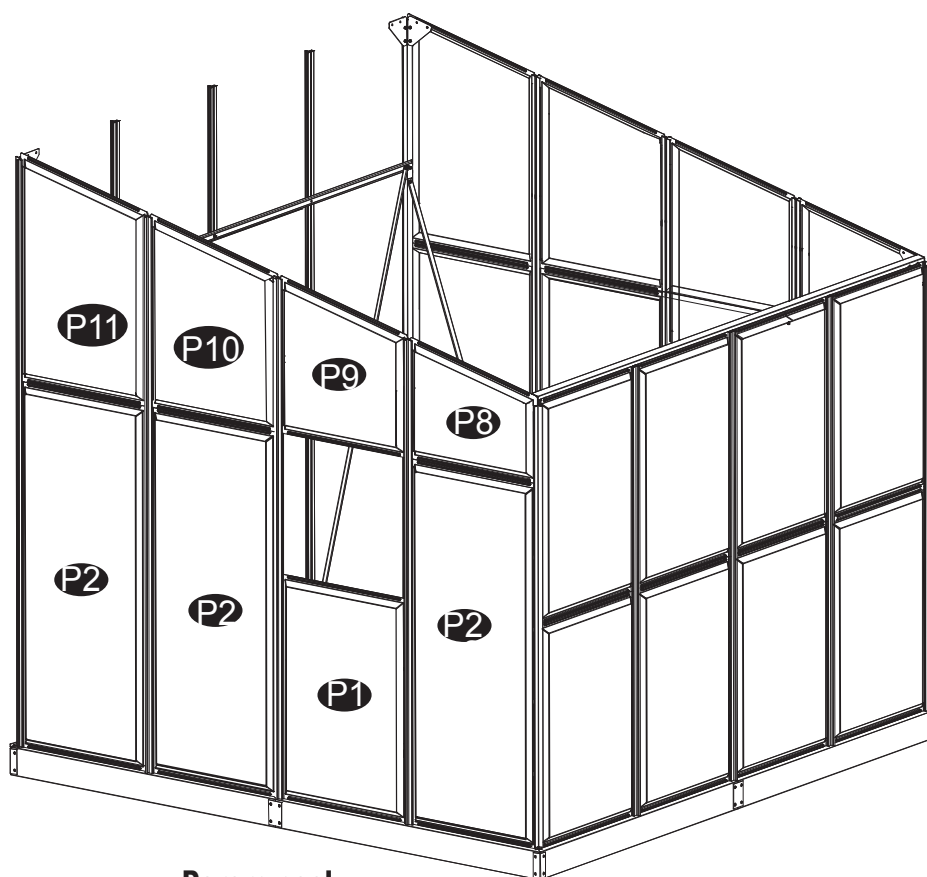
CELLO

SEINA PC-PANEELI PAIGALDAMINE



Osa nr	Kogus	Joonis	Mõõtmed (mm)
P1	1TK		845x590
P2	3TK		1367x590
16	1TK		635
17	1TK		638

Osa nr	Kogus	Joonis	Mõõtmed (mm)
P8	1TK		450x590
P9	1TK		585x590
P10	1TK		720x590
P11	1TK		590x855

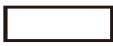



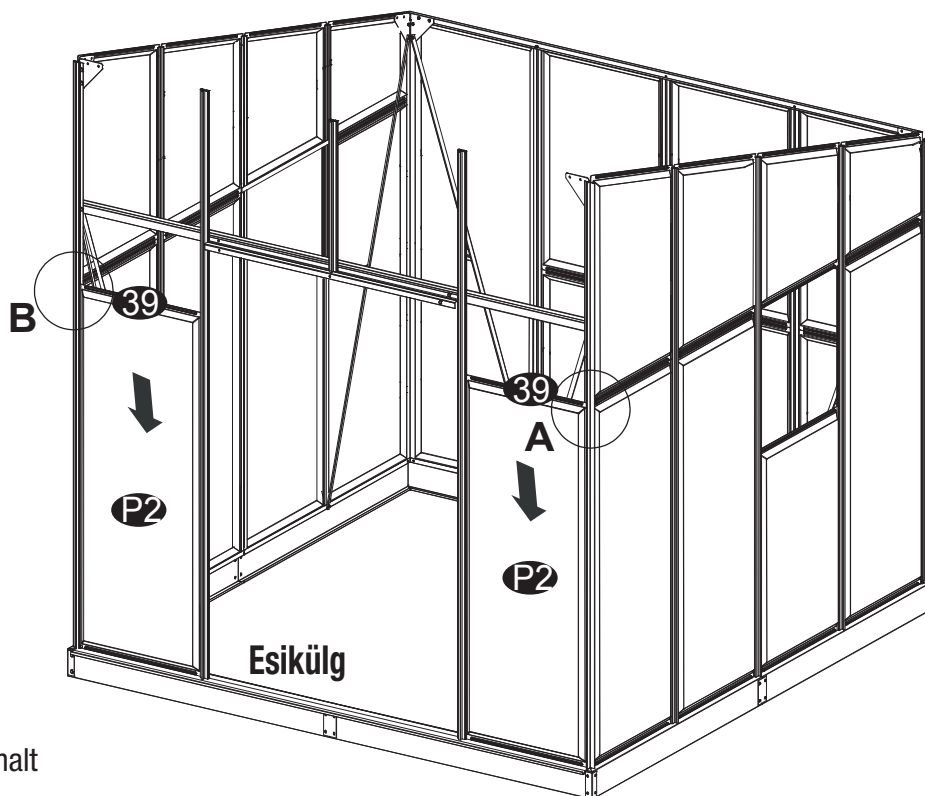
Parem pool

Parempoolse plaadi paigaldamiseks vt juhiseid lk 188/189/190.

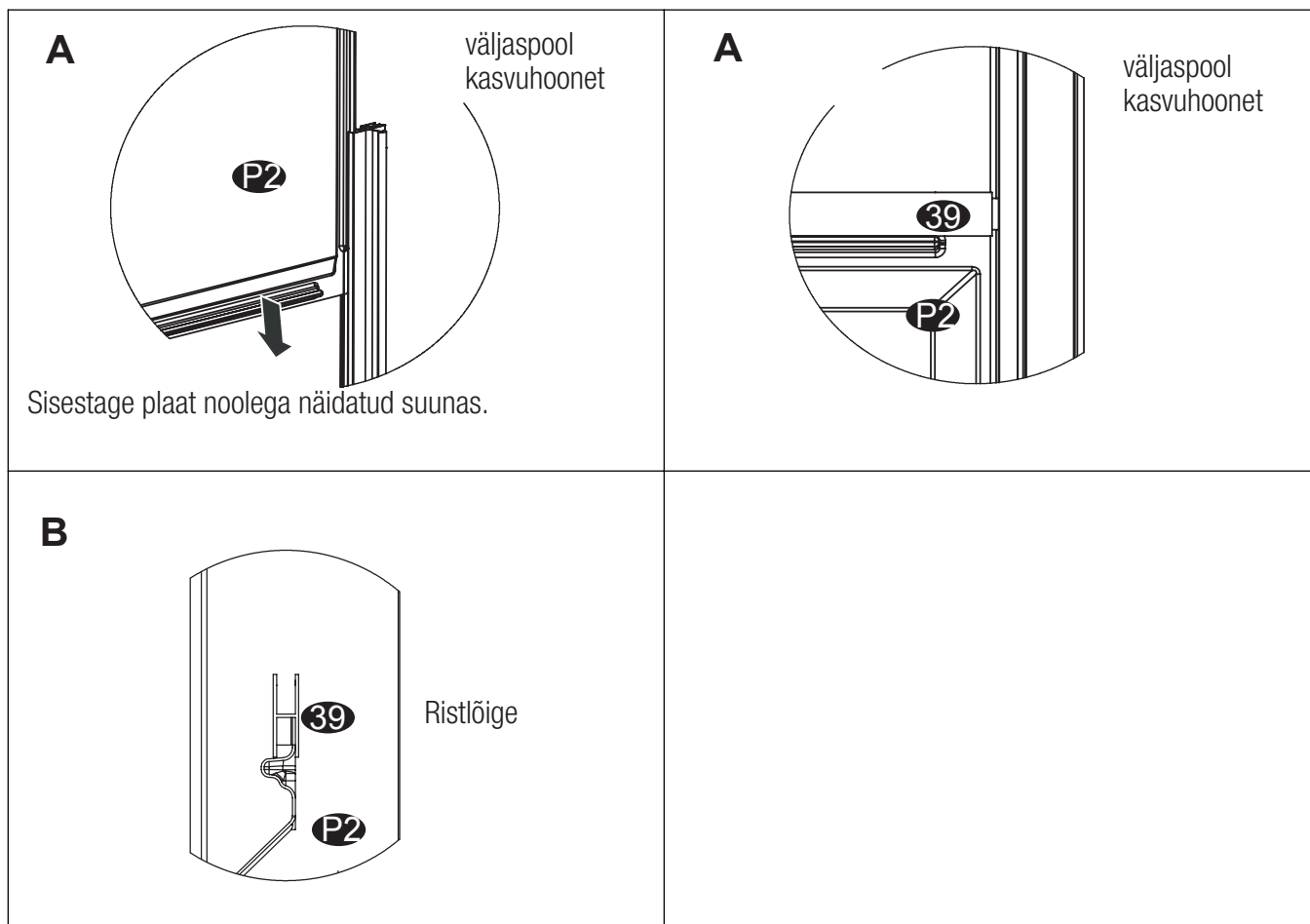
CELLO

SEINA PC-PANEELI PAIGALDAMINE

Osa nr	Kogus	Joonis	Mõõtmed (mm)
P2	2TK		1367X590
39	2TK		568



Eemaldage kaitsekile paneeli mõlemalt poolt.

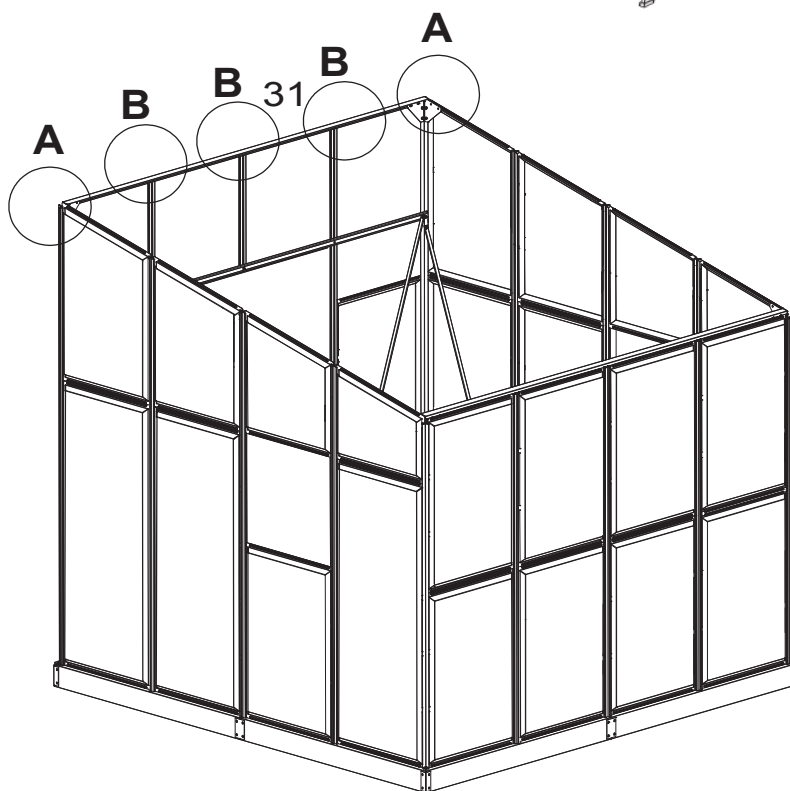


CELLO

KÜLGSEINTE RAAMI KOKKUPANEK



Osa nr	Kogus	Joonis	Mõõtmed (mm)
31	1TK		2406
40	7TK		
48	7TK		



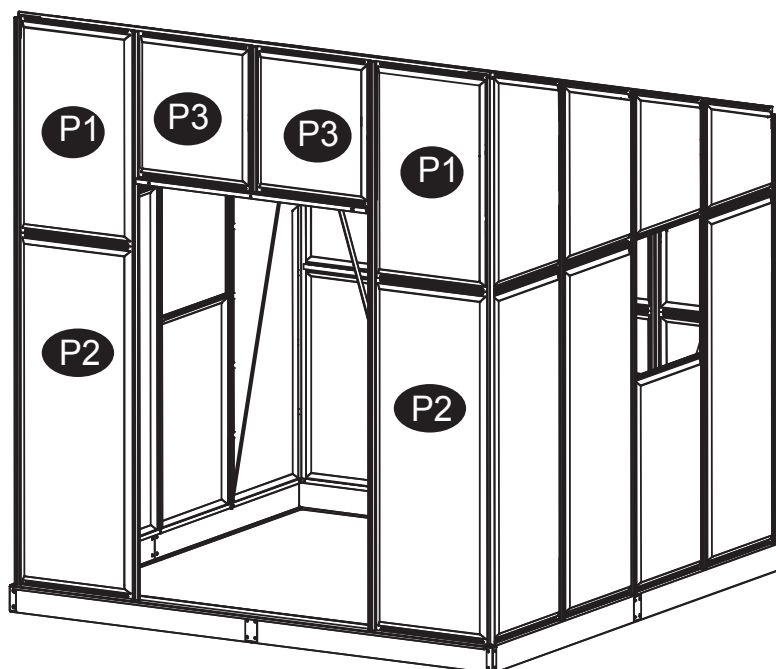
<p>A kasvahoone sees</p> <p>krugi 40/48</p> <p>Nr 31 on kinnitatud osale nr 37</p>	<p>A kasvahoone sees</p> <p>krugi 40/48</p> <p>Nr 31 on kinnitatud osale nr 37</p>
<p>B kasvahoone sees</p> <p>krugi 40/48</p>	

CELLO

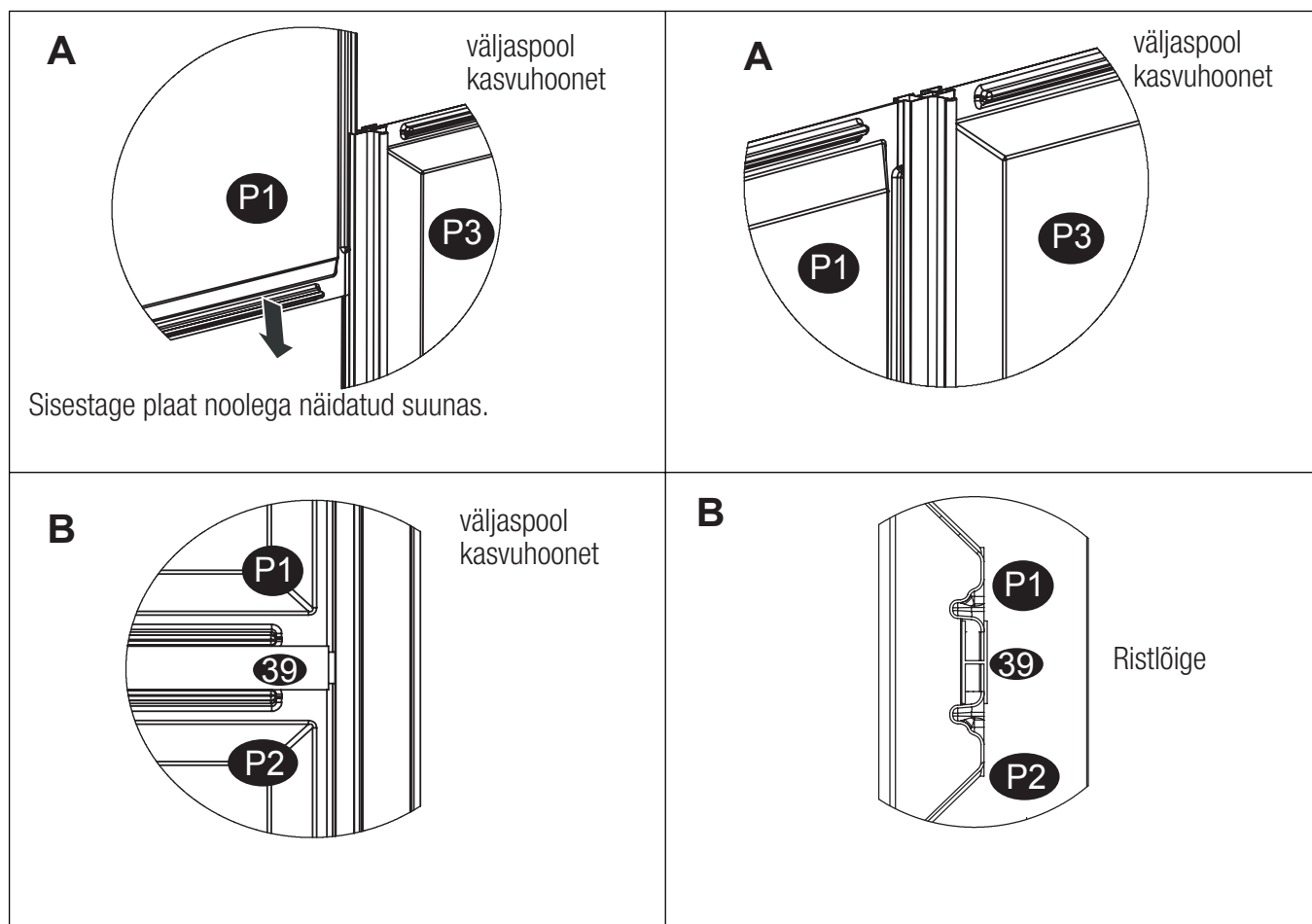
SEINA PC-PANEELI PAIGALDAMINE



Osa nr	Kogus	Joonis	Mõõtmed (mm)
P1	2TK		845x590
P3	2TK		595x590



Eemaldage kaitsekile paneeli mõlemalt poolelt.

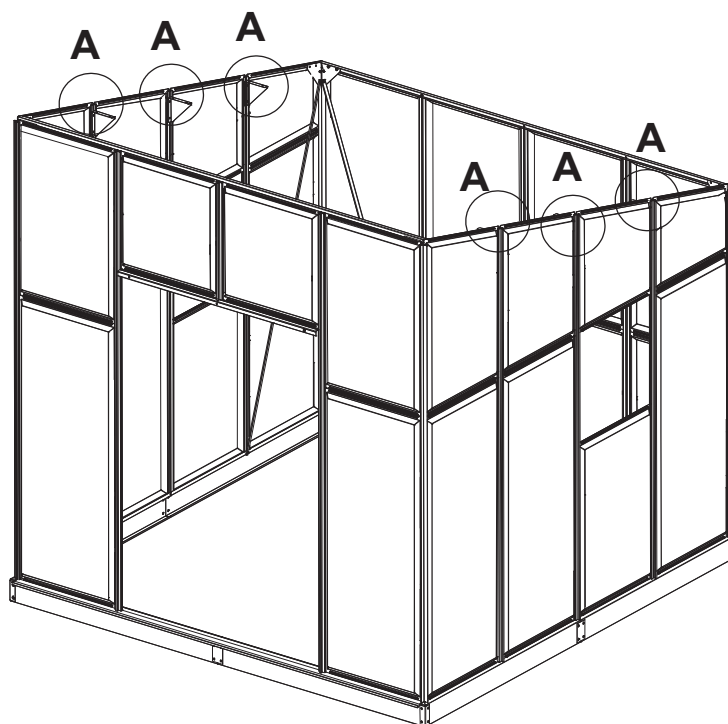


CELLO

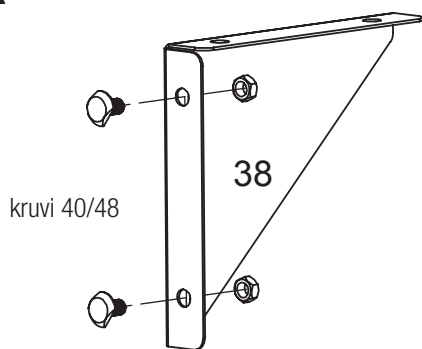
KATUSERAAMI KOKKUPANEK



Osa nr	Kogus	Joonis	Mõõtmed (mm)
38	6TK		
40	12TK		
48	12TK		

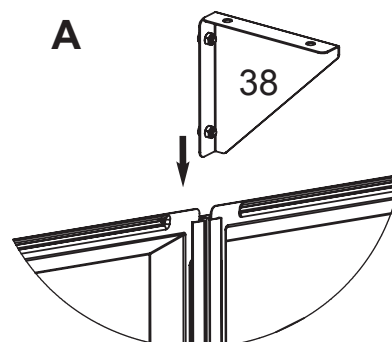


A



Esmalt paigaldage osale nr 38 kruvid

A



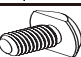



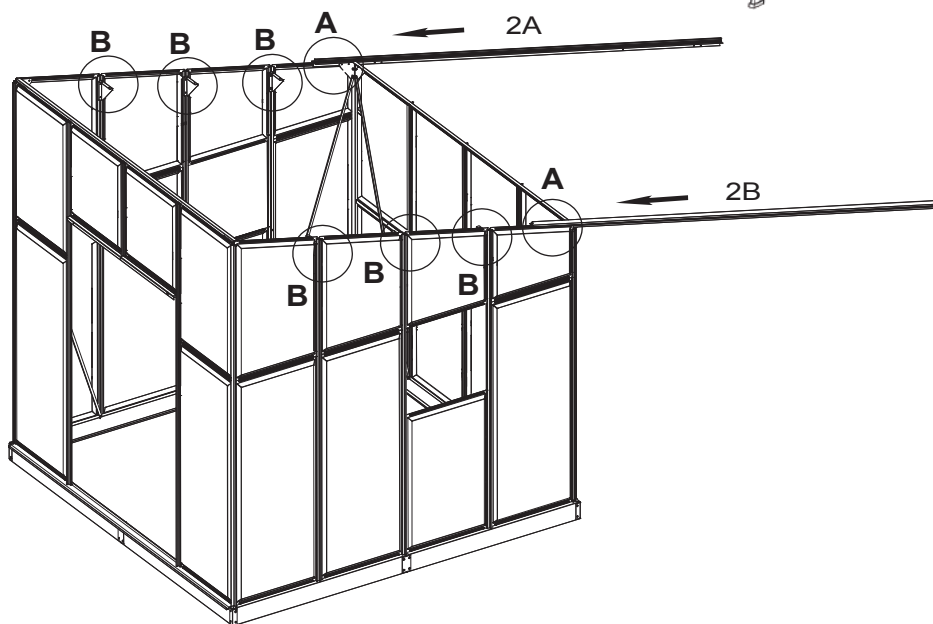
väljaspool kasvuhoonet

Sisestage osa nr 38 noolega näidatud suunas.
Ärge kruvisid veel kinni keerake.

CELLO

KATUSERAAMI KOKKUPANEK

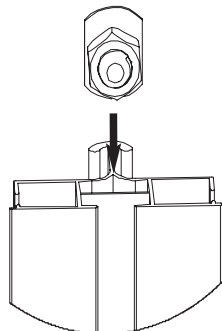
Osa nr	Kogus	Joonis	Mõõtmed (mm)
2A	1TK		2954
2B	1TK		2954
40	6TK		
48	6TK		



B

40/48

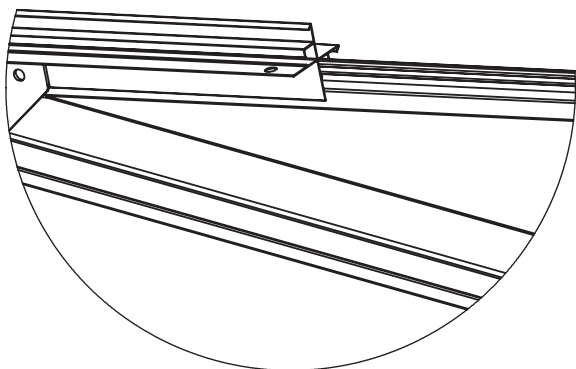
kasvuhoone sees



Enne osa 2A/2B paigaldamist lisage esmalt kruvid.

A

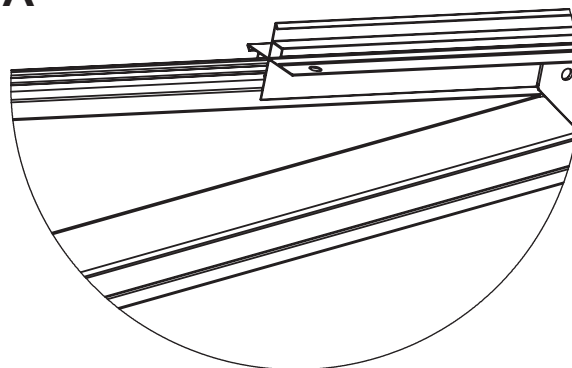
2B



Sisestage osa 2A/2B noolega näidatud suunas.
Pange tähele suunda

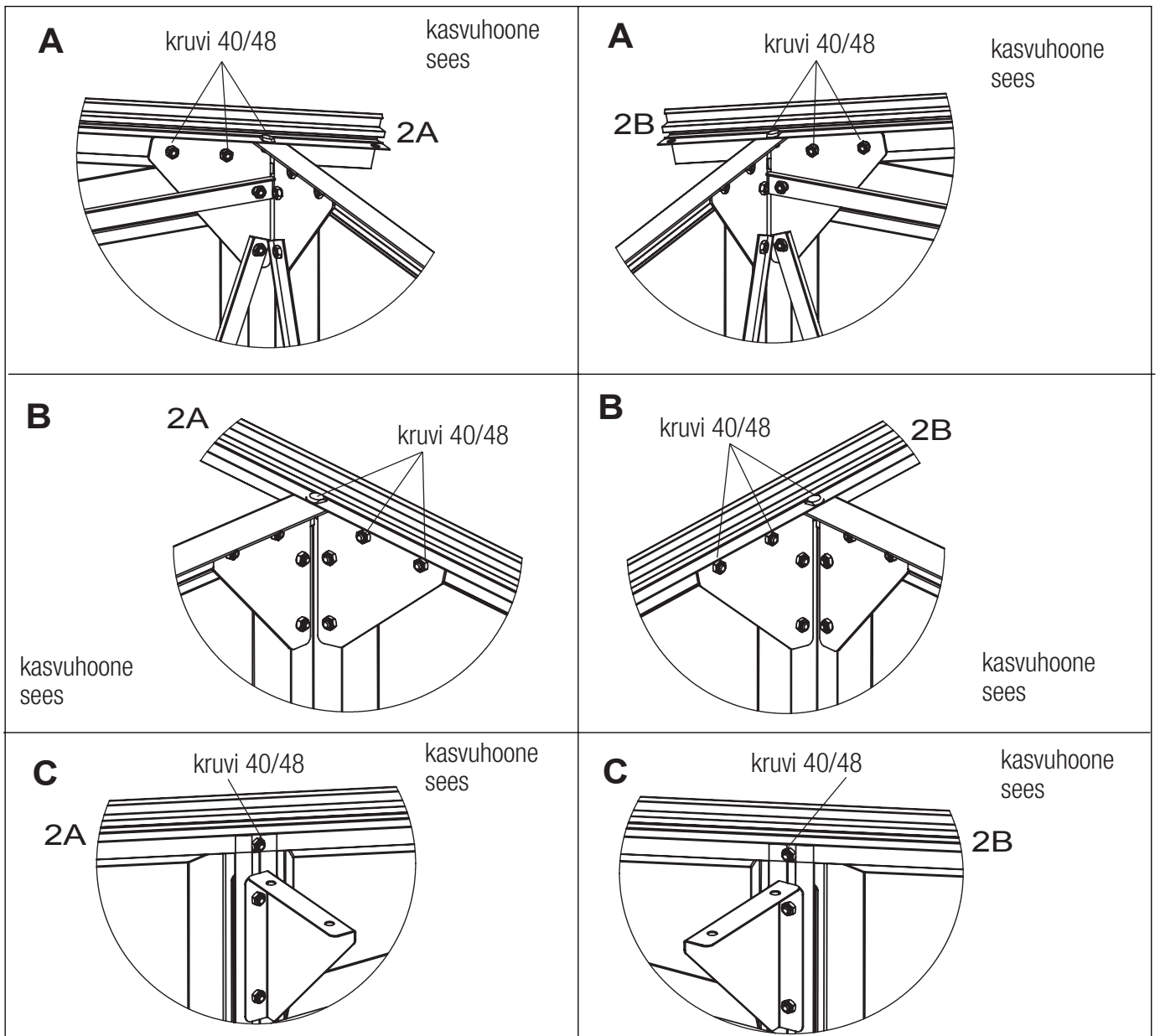
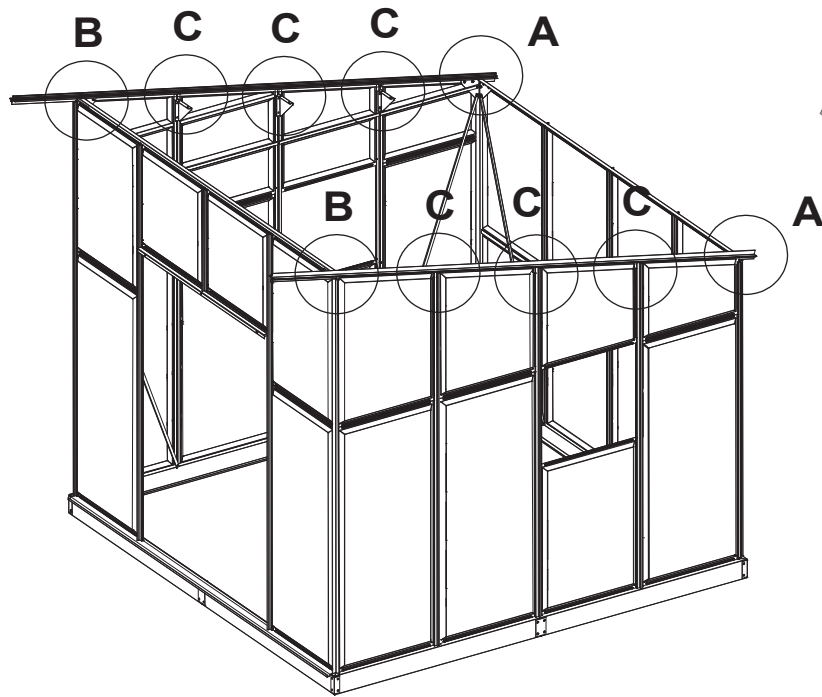
A

2A



Sisestage osa 2A/2B noolega näidatud suunas.
Pange tähele suunda

CELLO

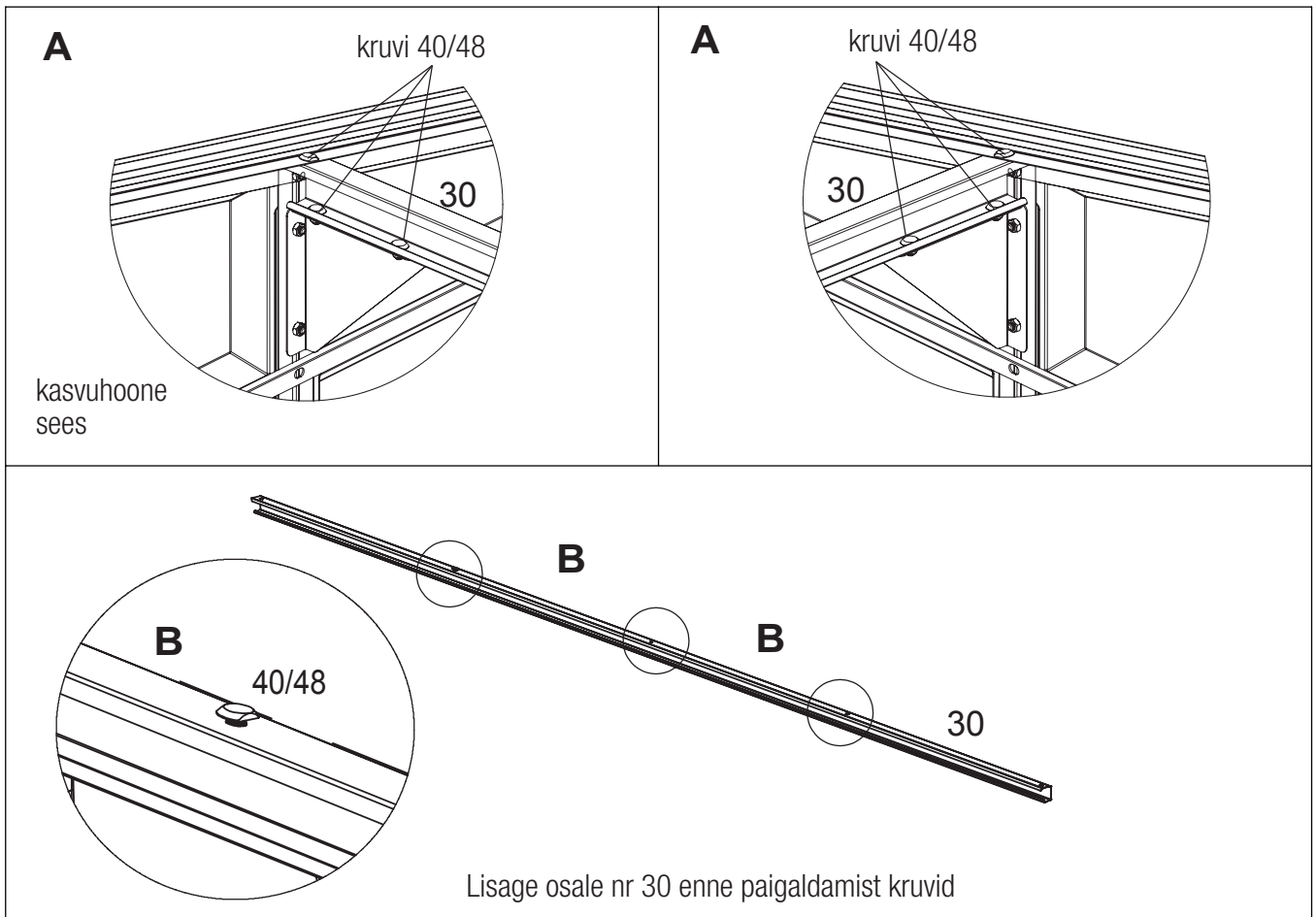
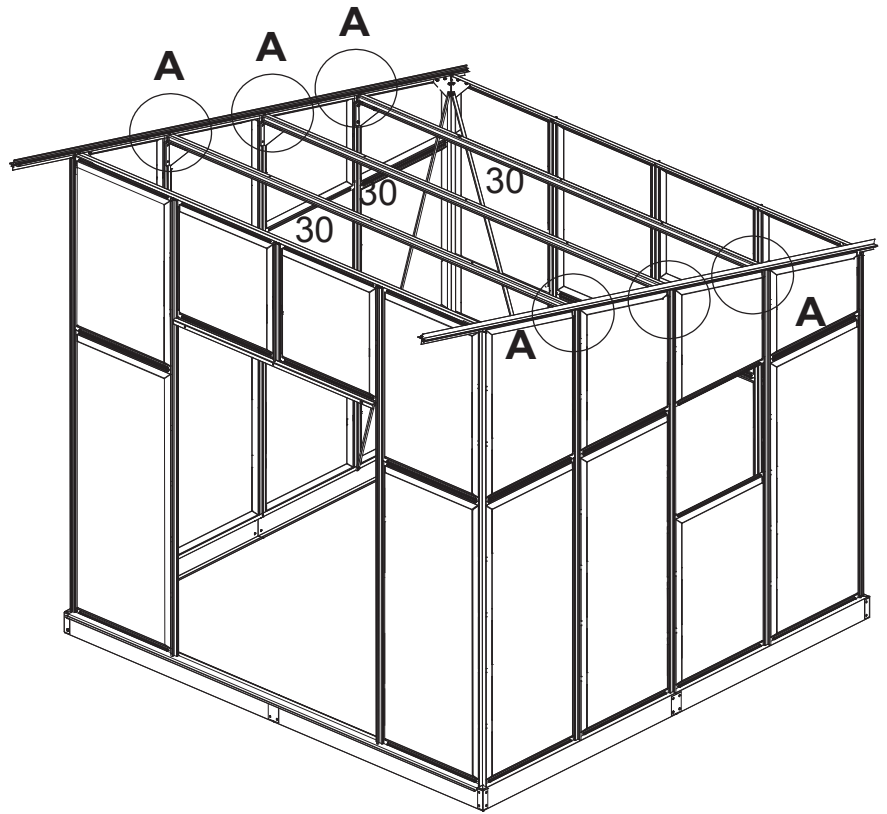


CELLO

KATUSE KOKKUPANEK



Osa nr	Kogus	Joonis	Mõõtmed (mm)
30	3TK		2406
40	21TK		
48	21TK		



CELLO

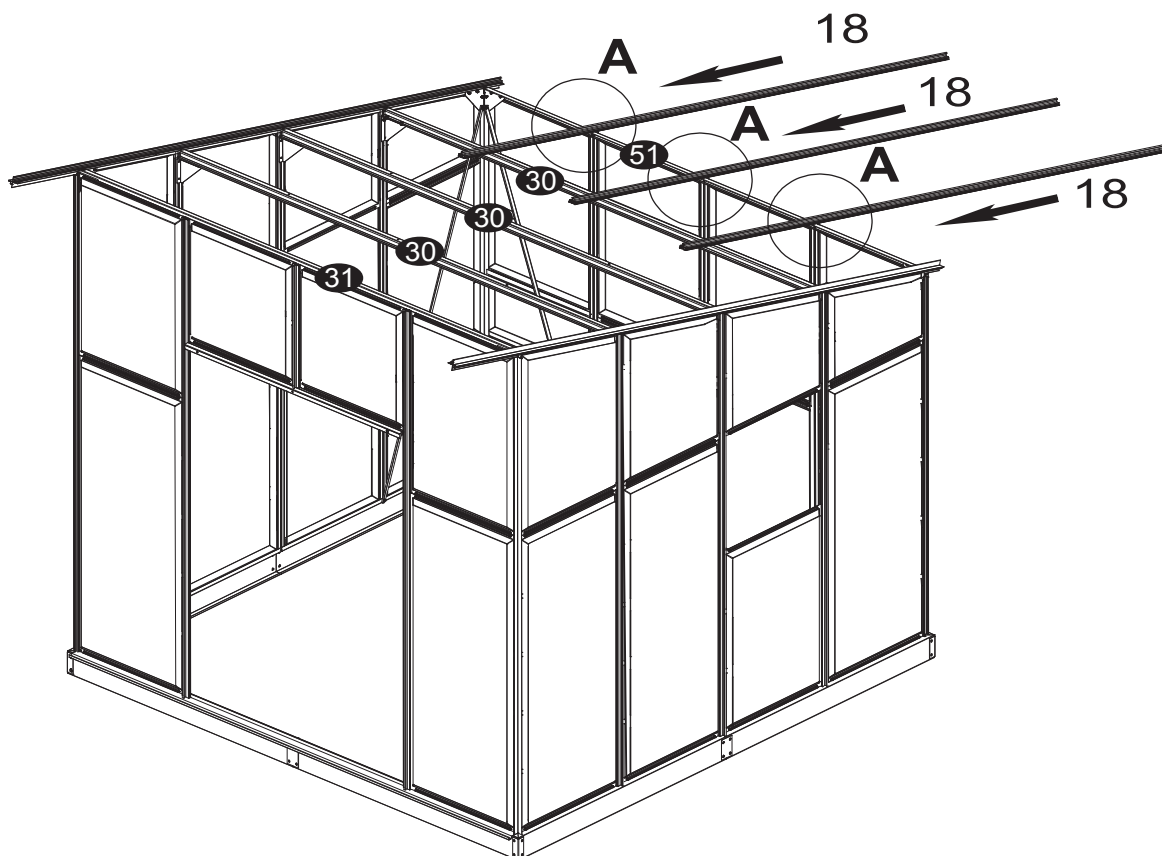
KATUSE KOKKUPANEK



Osa nr	Kogus	Joonis	Mõõtmed (mm)
18	3TK		2935
40	6TK		
48	6TK		

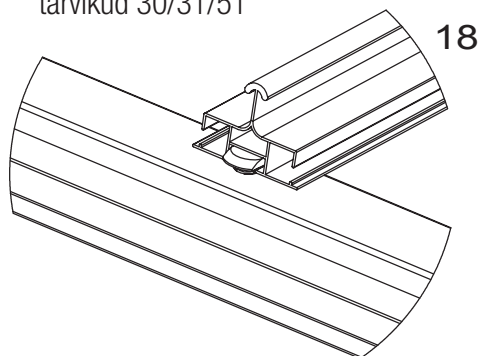
Lisage enne osa 18 paigaldamist kruvid 31/51.

Osa 18 tuleb sisestada noolega näidatud suunas.



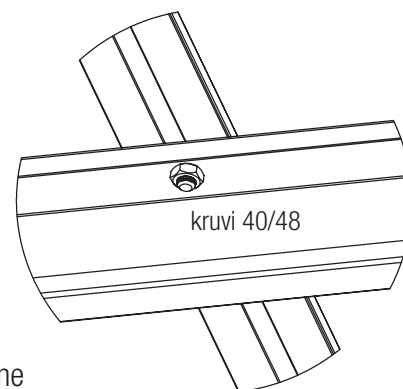
A

tarvikud 30/31/51



Sisestage osa nr 18 läbi osa 30/31/51.
Paigaldage kruvid, ärge neid veel kinni keerake.

A






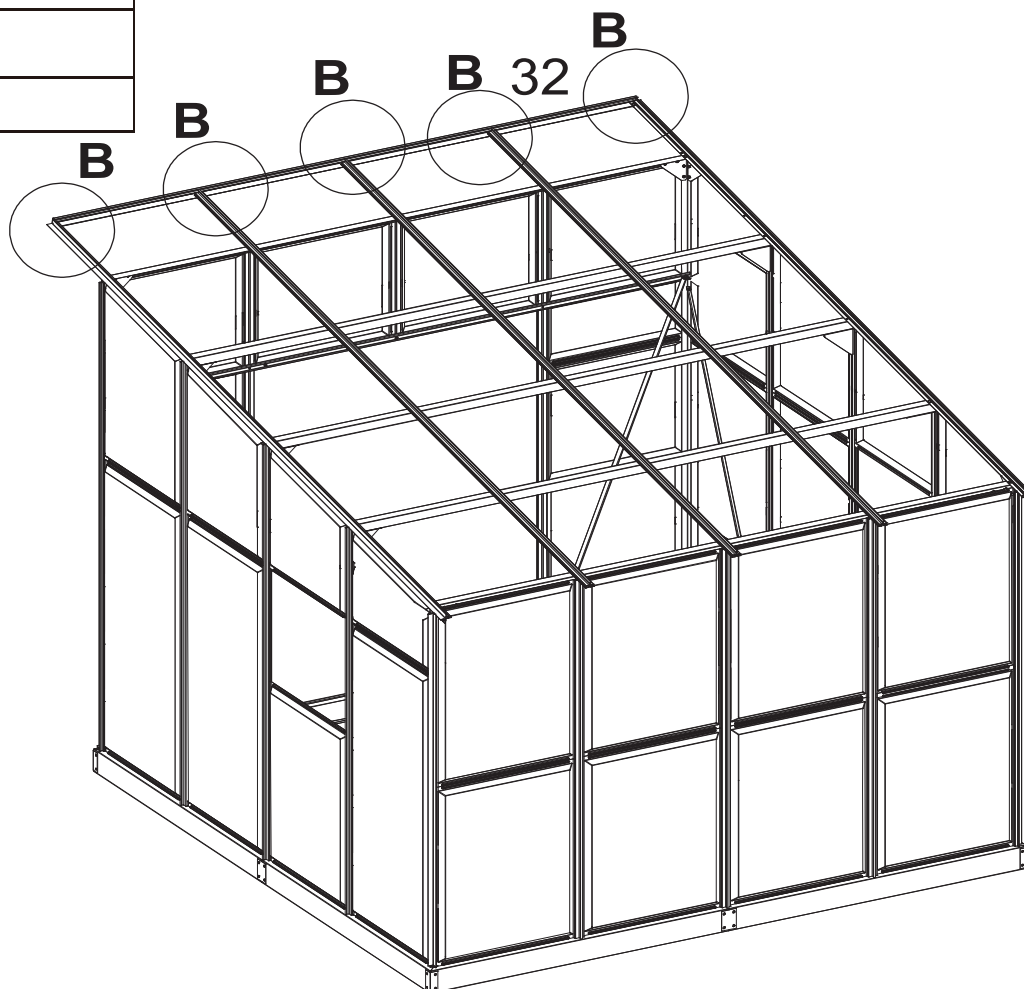
kasvuhoone
sees

CELLO

ROOF ASSEMBLY

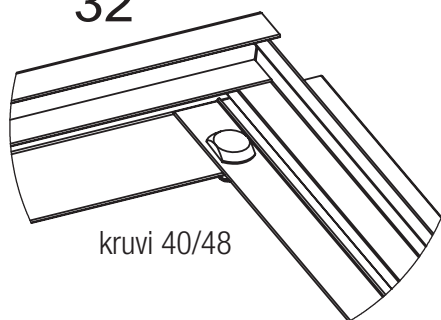


Osa nr	Kogus	Joonis	Mõõtmed (mm)
32	3TK		2406
40	4TK		
48	4TK		



B

32




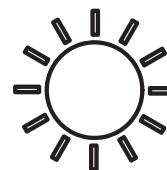
kruvi 40/48

Osa nr 32 kinnitatakse osa nr 2A/2b/18 külge.

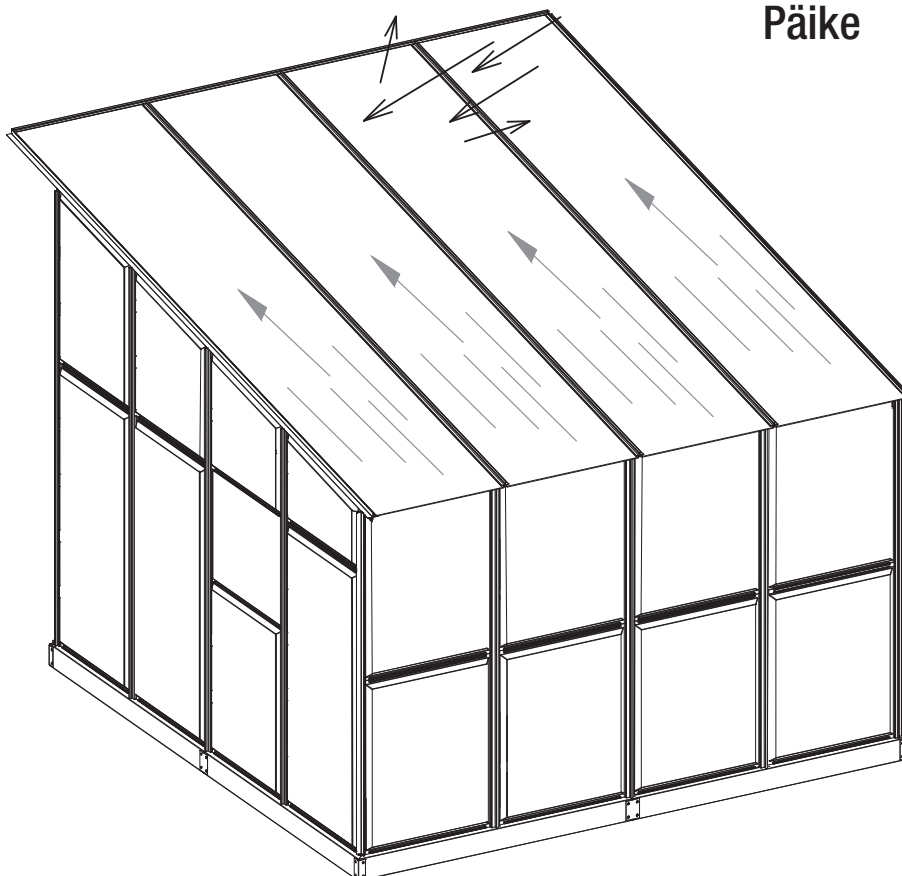
CELLO

KATUSE PC-PANEELID

Osa nr	Kogus	Joonis	Mõõtmed (mm)
P14	4TK		2954x590



Päike



Sisestage plaat noolega näidatud suunas.

Eemaldage kaitsekile paneeli mõlemalt poolt.



Valge kaitsekile 4,0 mm katusepaneelil näitab, et see on paneeli UV-vastase kaitseta külg.



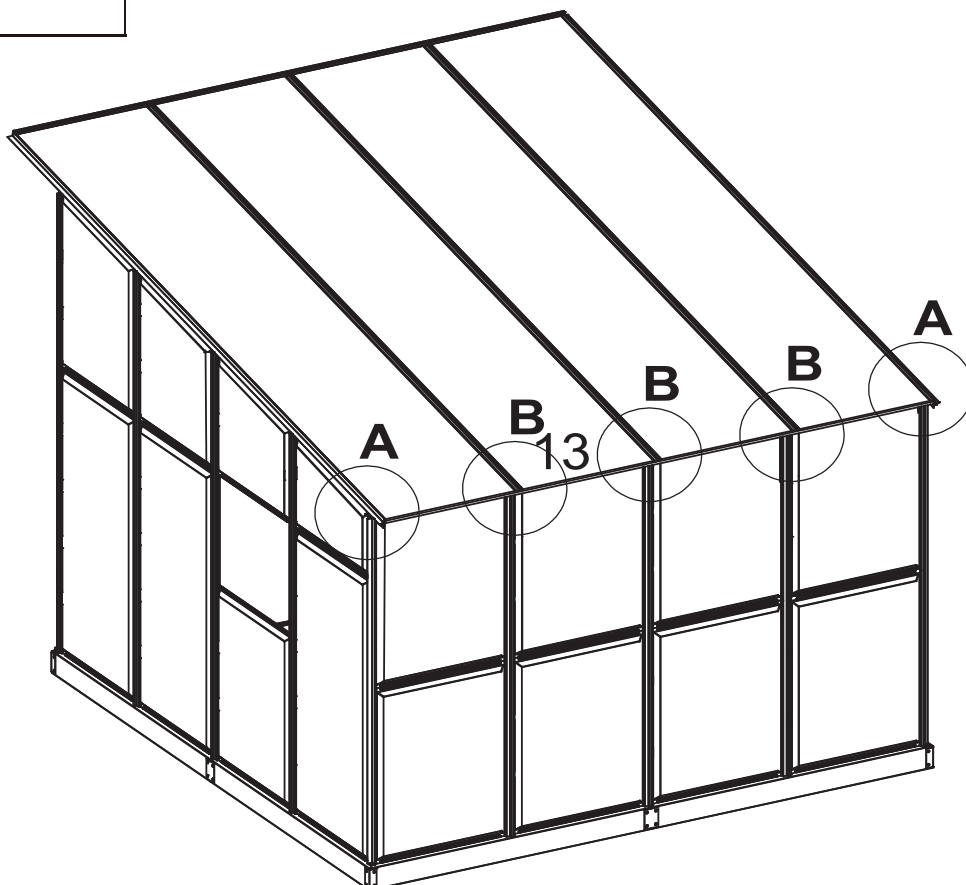
Läbipaistev kaitsekile 4,0 mm katusepaneelil näitab, et see on paneeli UV-vastase kaitseta külg.

CELLO

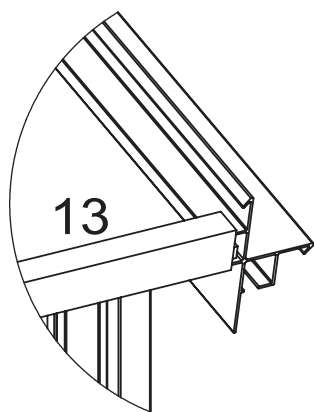
KATUSE KOKKUPANEK



Osa nr	Kogus	Joonis	Mõõtmed (mm)
13	1TK		2400
40	4TK		
48	4TK		

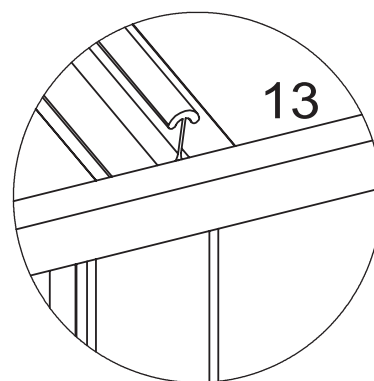


A



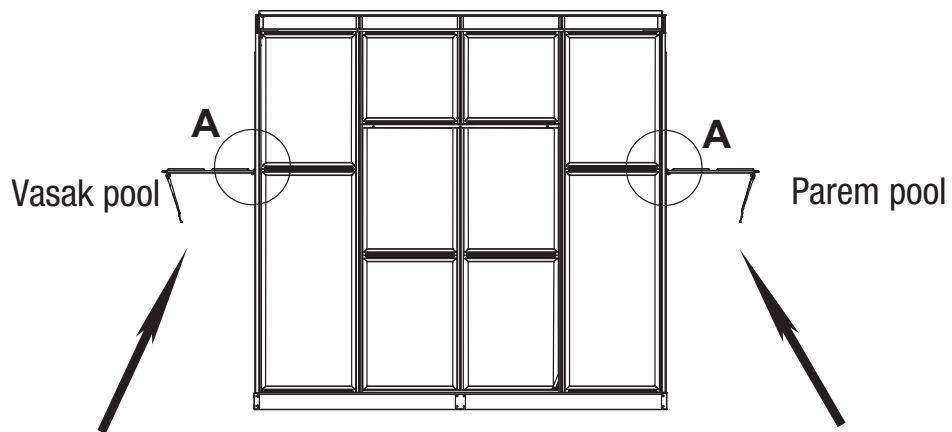
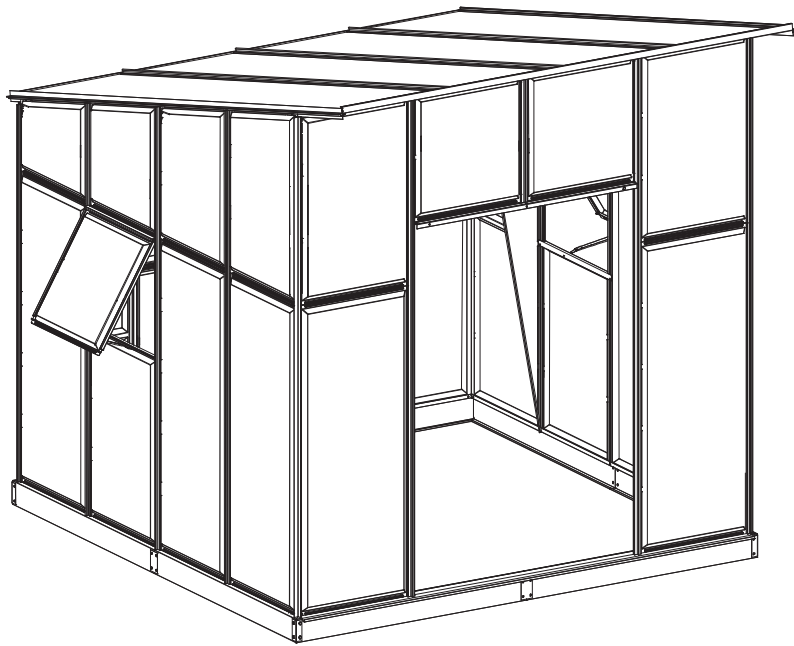
Kinnitage osa nr 13 kruvidega.

B

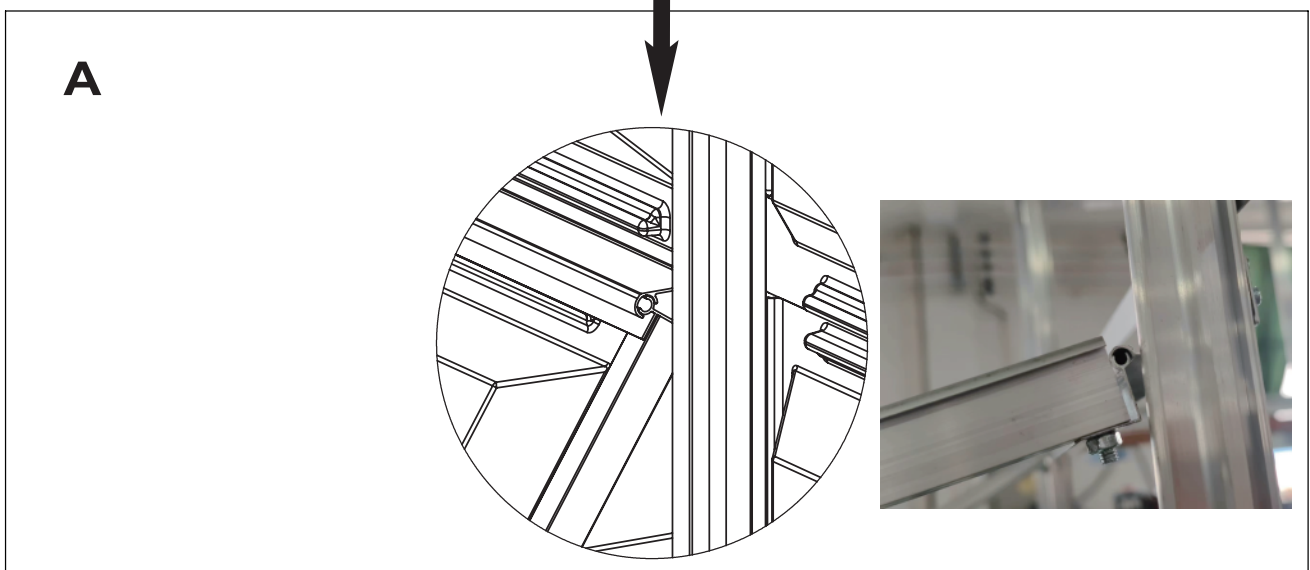


Kinnitage osa nr 13 kruvidega.

CELLO

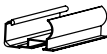


Lisage vasakule ja paremale poole aknad.

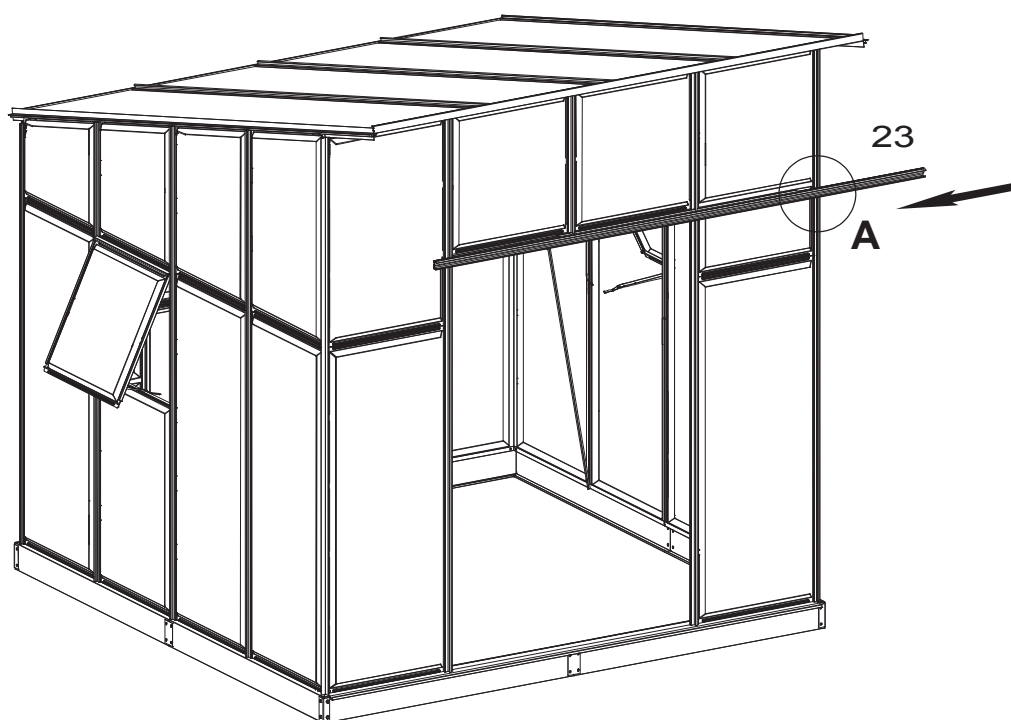


CELLO

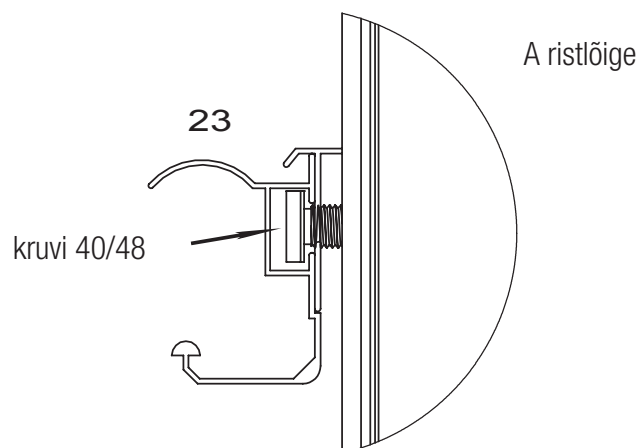
LIIGUTATAV UKSE RAAMI PAIGALDAMINE

Osa nr	Kogus	Joonis	Mõõtmed (mm)
23	1TK		2406

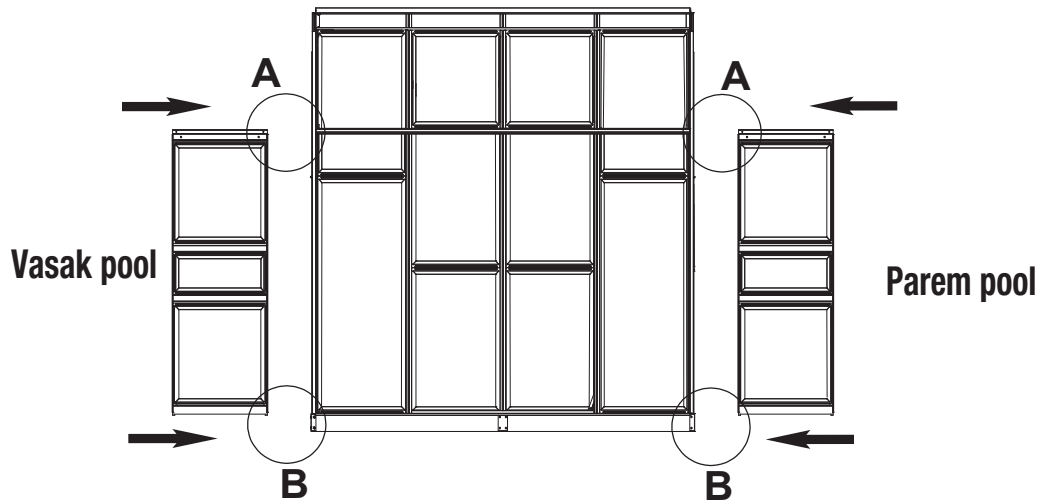
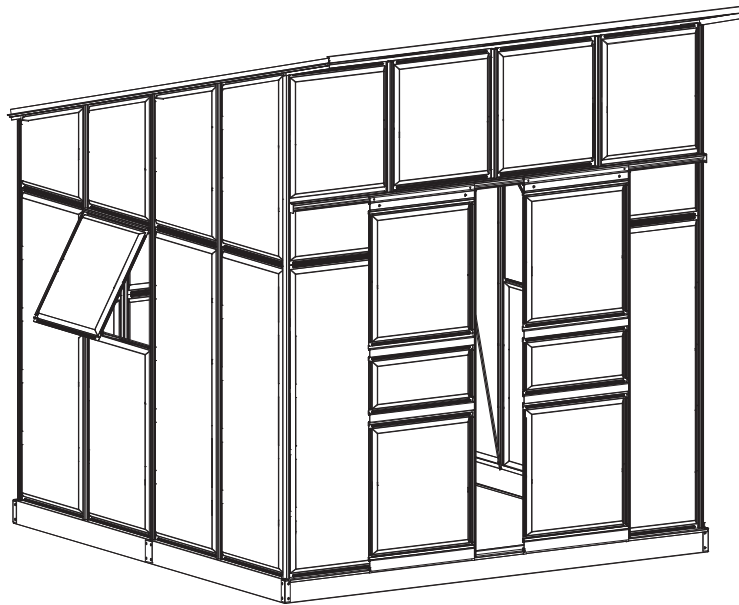
Lisage osa nr 23 noolega näidatud suunas.



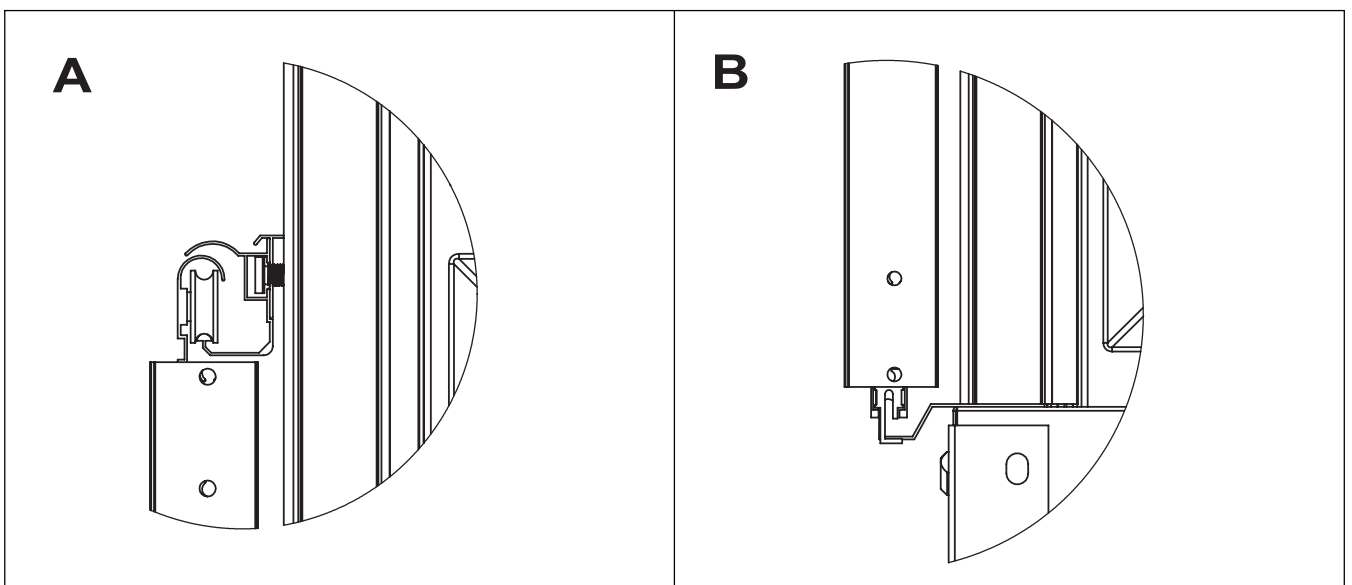
A



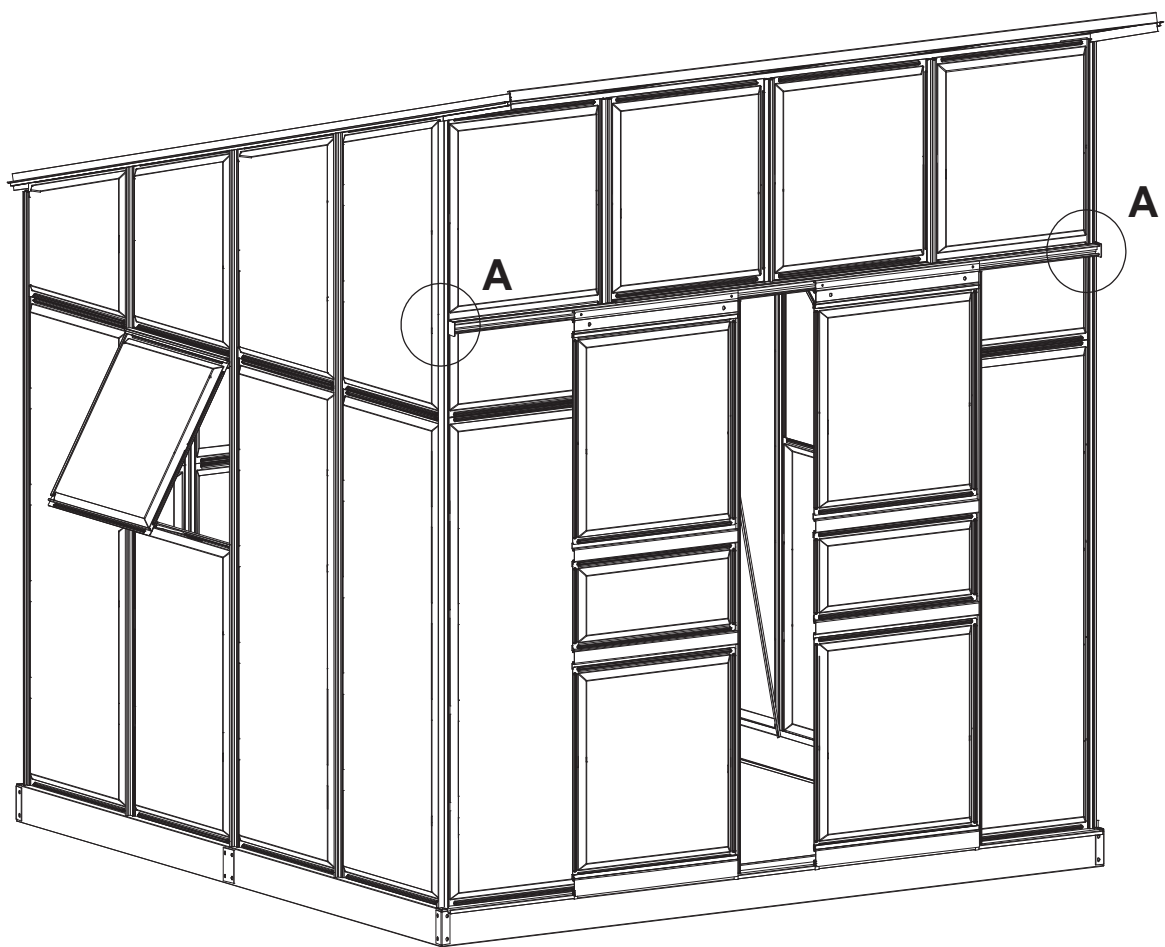
CELLO



Lisage liikuv uks noolega näidatud suunas.

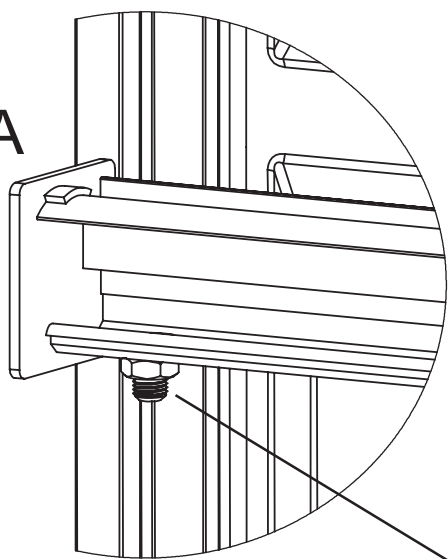


CELLO

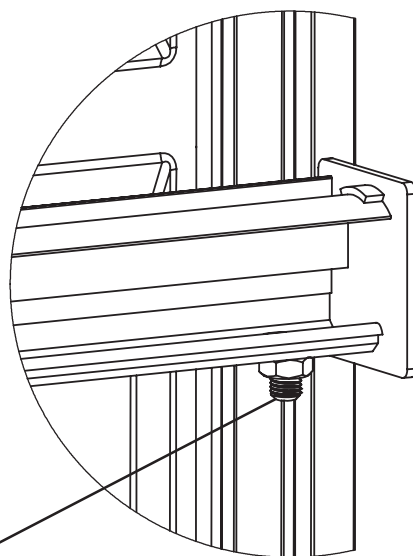


A

45A



45B



Mõlemal küljel on vaja ühte kruvi 40/48, mis takistab ukse libisemist.

CELLO

Manual instructions material/
Ohjekirjan materiaali/
Instruktionsmaterial/
Håndbok instruksjonsmateriale/
Juhendmaterjal

