

## Product technical sheet

# WORKOUT 2323



14+



< 140 kg

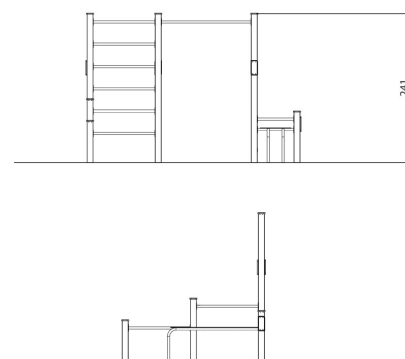
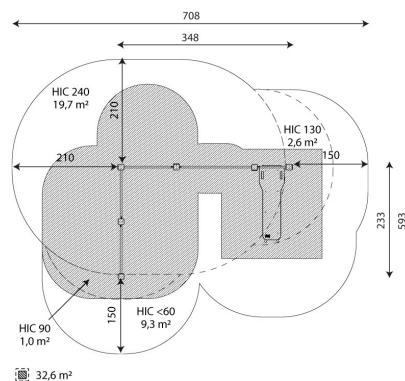


32,6 m<sup>2</sup>

### Product data

Length	348 cm
Width	233 cm
Total height	241 cm
Age group	14+ years
Maximum weight of user	140 kg
Safety zone	32,6 m <sup>2</sup>
Free fall height	240 cm
In accordance with norm EN	16630:2015
Weight of the heaviest part	38 kg
Dimensions of the largest part	10x10x240 cm
Availability of spare parts	YES
Installation time	3,5 h
Color options	

Data is subject to change without prior notice.



vinci  
play



Vinci Group Sp. z o.o.  
Seminaryjna 9 Street  
99-400 Łowicz

VAT: 534-250-14-46  
PHONE: +48 42 203 24 99 ext. 26  
M: +48 793 404 991

30/08/2021

workout

biuro@vinci-play.com  
info@vinci-play.com  
www.vinci-play.com

1 / 3

## Material specification



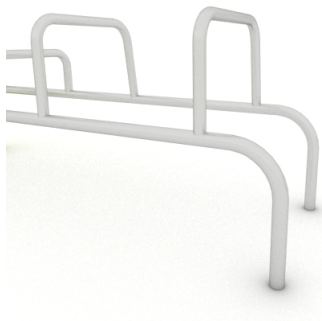
Powder galvanized and powder coated or stainless steel construction of 100 x 100 mm profile,



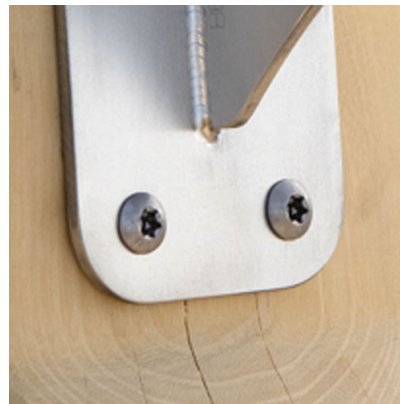
Aluminum exercise instructions plate screwed to HDPE plate, resistant to weather conditions,



Seats/backrests made of durable HPL plate, resistant to weather conditions,



Stainless steel bars with a diameter of 38 mm for a comfortable grip during exercises.



Stainless steel screws and/or screws covered with plastic caps,

## Additional information

- device intended for public outdoor gyms;
- equipment has a certificate issued by an accredited entity or a declaration of conformity;
- no sharp edges or chinks that would pose a danger of jimmieing the head, fingers or any other body parts;
- anchoring on flat surface, 80 cm deep;
- render is for reference only, the actual appearance of the equipment and its color may vary;

## Guarantee

- 30** 30 year guarantee - Structural strength of steel and stainless steel components
- 15** 15 year guarantee - Structural failure of steel and stainless steel, for dynamic equipment
- 10** 10 year guarantee - Structural failure of high density polyethylene and high pressure laminates components
- 5** 5 year guarantee - Corrosion of stainless steel and hot dip galvanized and powder coated components; against bark beetles and rot in case of wooden structural elements

Detailed information in the guarantee card

**Vinci Group Sp. z o.o.**  
Seminaryjna 9 Street  
99-400 Łowicz

VAT: 534-250-14-46  
PHONE: +48 42 203 24 99 ext. 26  
M: +48 793 404 991

30/08/2021

**workout**

biuro@vinci-play.com  
info@vinci-play.com  
[www.vinci-play.com](http://www.vinci-play.com)

2 / 3

## Amount of safe surface corresponding with free fall height:

HIC <60	9,3 m <sup>2</sup>
HIC 90	1,0 m <sup>2</sup>
HIC 130	2,6 m <sup>2</sup>
HIC 240	19,7 m <sup>2</sup>

Data is subject to change without prior notice.

## Surfaces according to EN 16630:2015

	Description (mm)	Layer thickness (cm)	Maximum fall height (cm)
	Concrete / stone / bituminous surfaces (A, B, C)	-	≤100
	outer soil layer (A,B,C)	-	≤120
	Turf (A,B,C)	-	≤150
bark (A,C)	Particle size from 20 to 80	30	≤200
		40	≤300
wood shavings/cuttings (A, C)	Particle size from 5 to 30	30	≤200
		40	≤300
sand (A,C)	Particle size from 0,2 to 2 mm	30	≤200
		40	≤300
gravel (A,C)	Particle size from 2 to 8	30	≤200
		40	≤300
attested synthetic (A, B, C)	Tested according to EN 1177		240



Vinci Group Sp. z o.o.  
Seminaryjna 9 Street  
99-400 Łowicz

VAT: 534-250-14-46  
PHONE: +48 42 203 24 99 ext. 26  
M: +48 793 404 991

30/08/2021

**workout**

biuro@vinci-play.com  
info@vinci-play.com  
www.vinci-play.com

3 / 3