

EAN: 6414150060052

[www.oras.com/en/products/oras/product/6217A](http://www.oras.com/en/products/oras/product/6217A)



- Health & Care
- Touchless, Concealed unit
- Wall mounted for concealed unit

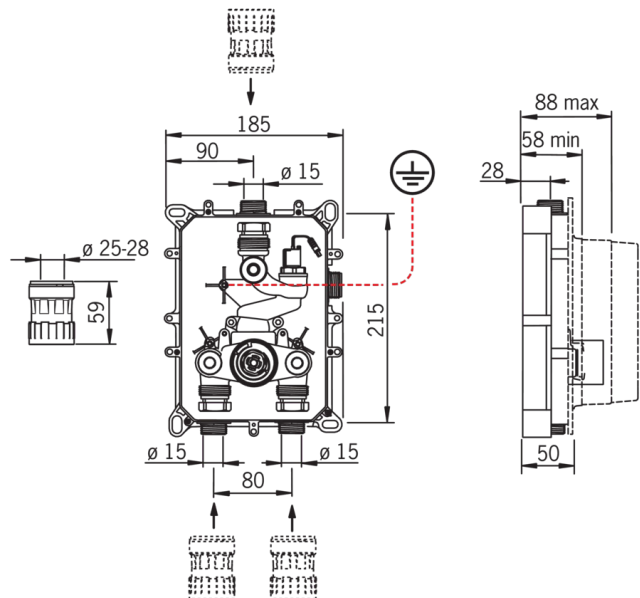
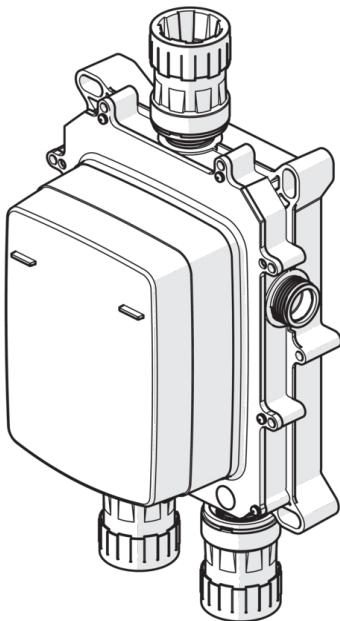
## Technical data

### Technical properties

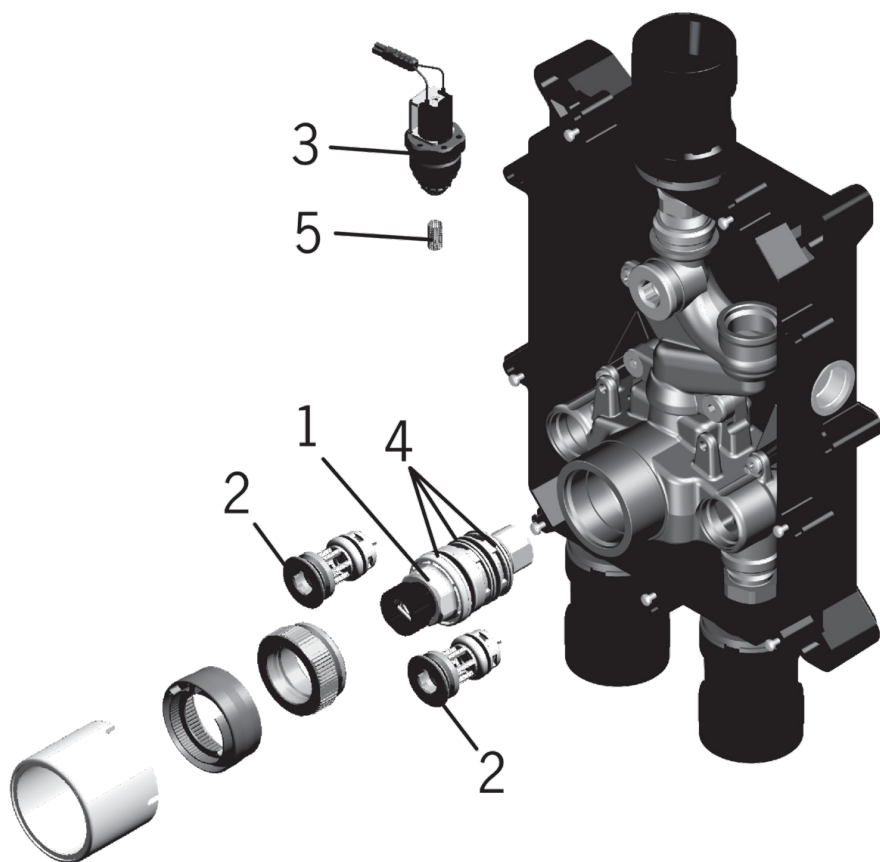
Hot water supply	<b>max. +70°C</b>
Working pressure	<b>100 - 1000 kPa</b>

### Type approvals

STF certificate	<b>VTT-RTH-00025-09</b>
-----------------	-------------------------



## Spare parts



### SP6217A

	Code
01	178780V
02	178295
03	199206V
04	178796V
05	600038V