

EAN: 6414150083136

[www.oras.com/en/products/oras/product/7592-15](http://www.oras.com/en/products/oras/product/7592-15)

Thermostatic shower system with Wellfit body treatment, large overhead shower and a hand shower. Spacious shelf made of safety glass, Easy-to-use control handles and diverter. Temperature limiter in the handle. Oras Hydractiva Style hand shower with 3 spray modes: Sensitive (large & gently), Intense (powerful) and Pulse (massage), wall bracket included. Overhead shower size: 360 mm x 220 mm. The Wellfit body treatment can be individualized using the Oras App. The faucet is equipped with straight couplings with stop valves, litter filters and non-return valves.



- Shower
- Battery-operated, Thermostatic, Bluetooth®
- Wall mounted
- Chrome/Grey
- integrated diverter with volume control
- hand shower, shower holder, shower hose (1750 mm), Overhead shower
- Pulsating, intense, sensitive
- safety stop against scalding at 38°C, THERMO COOL - Improved safety: the housing of the fittings conducts minimal heat
- Thermostatic cartridge that reacts quickly and precisely to changes in water temperature
- safety glass, Adjustable settings via app

## Technical data

### Flow properties

Flow-rate at 300 kPa	<b>0.2 l/s</b>
Pressure loss with flow (0.2 l/s)	<b>210 kPa</b>

### Technical properties

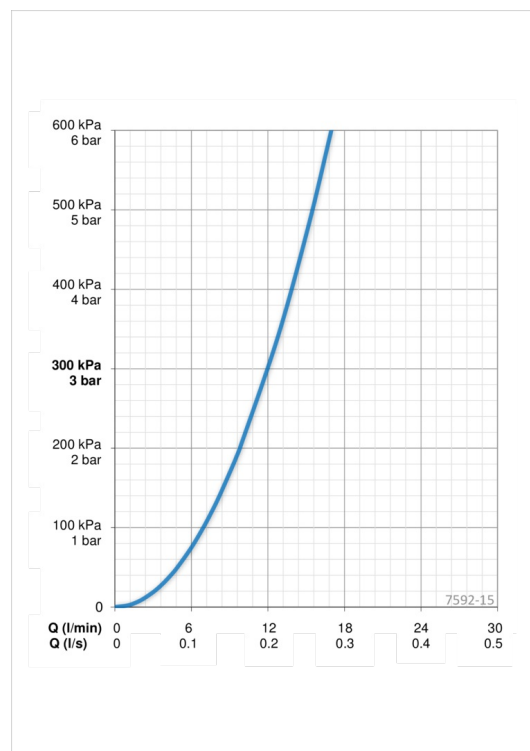
Hot water supply	<b>max. +70°C</b>
Working pressure	<b>100 - 1000 kPa</b>
Connection size	<b>G1/2</b>
Installation width	<b>CC150 mm</b>
Material	<b>Brass</b>

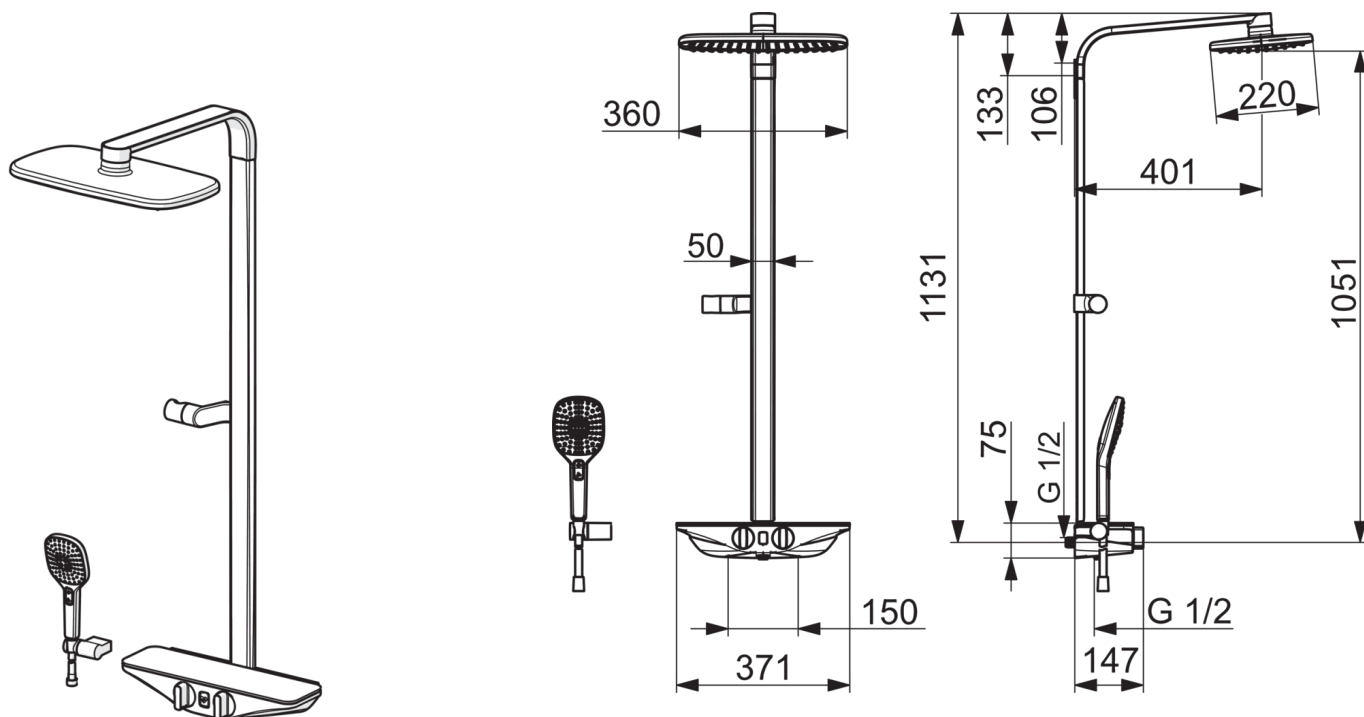
### Electronic properties

Battery	<b>AA 1.5 V Lithium x 4</b>
Bluetooth version	<b>4.x</b>

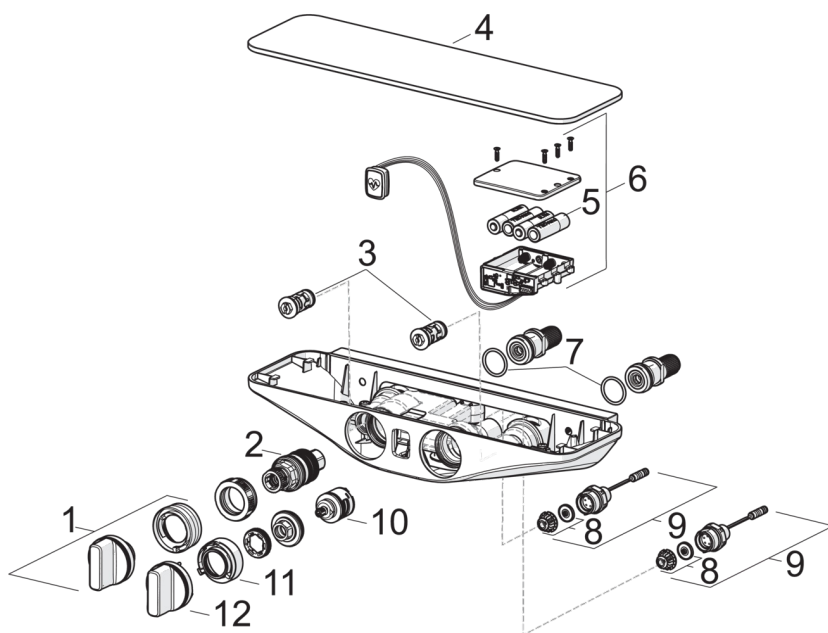
### Regulations

EMC Directive	<b>CE 2014/30/EU</b>
EN standard	<b>EN 1111 , EN 15091</b>
Noise class	<b>I (ISO 3822) Oras lab.</b>
Protection class	<b>IP 55</b>





## Spare parts



### SP7592U-15

	Code
01	1000791V
02	178780V
03	1004950V
03	602346V
04	1003059V
05	600599V
06	1000858V
07	602674V
08	199205V
09	199206V
10	198282V
11	1003518V
12	1000716V