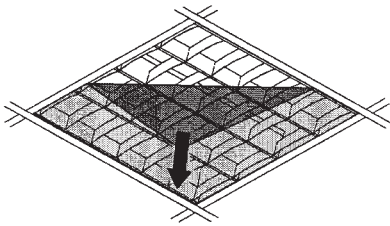
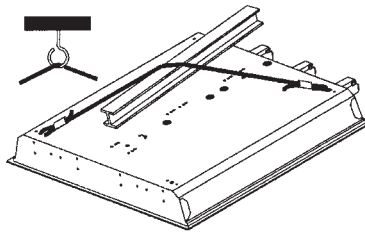


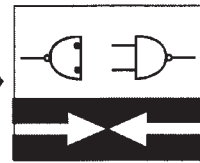
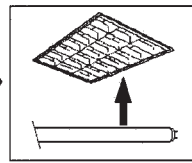
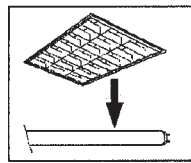
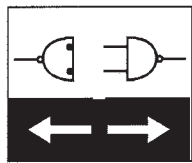
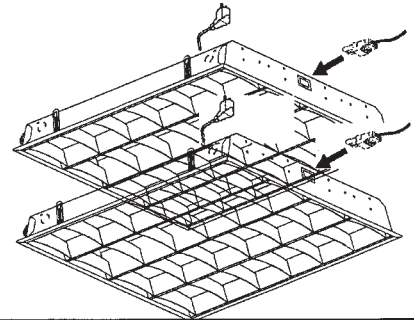
TBS160 ... KIT



TBS160 ... KIT SC

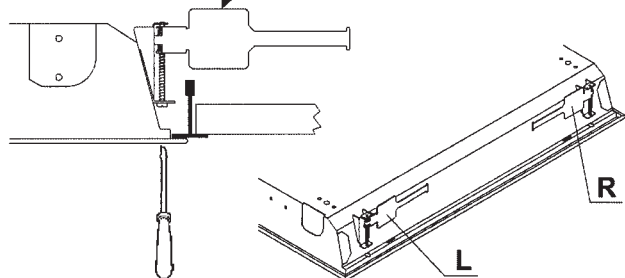
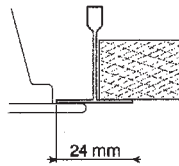
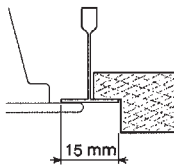


TBS160 ... KIT C2100CE
TBS160 ... GST KIT



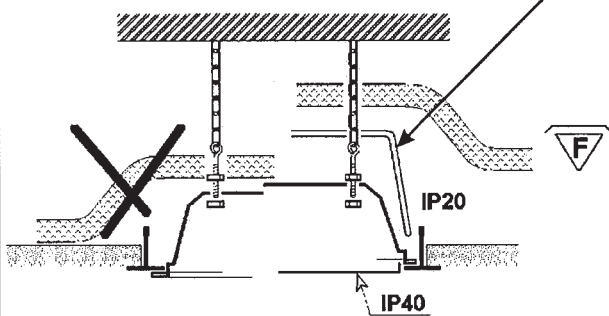
>30 sec.

+ ZBS 160 MB



+ ZBS 160 SPA

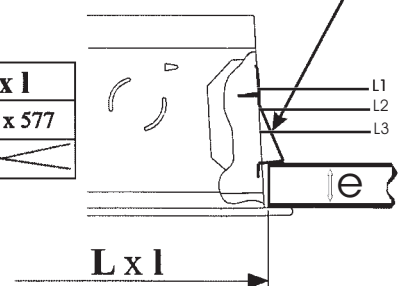
TBS ... I / IC

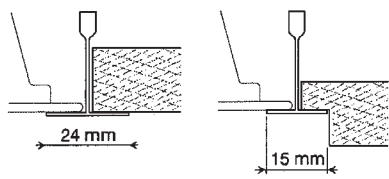


+ ZBS 160 PLA

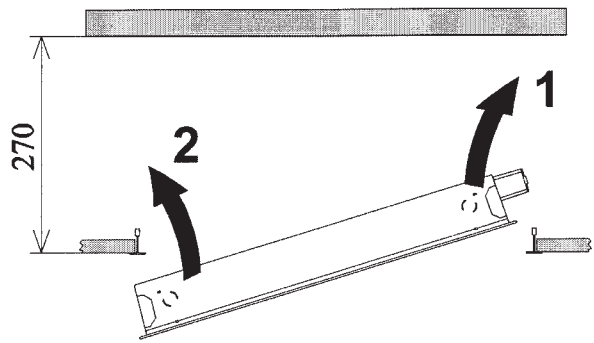
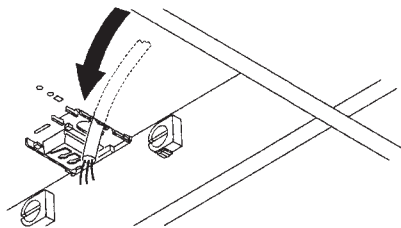
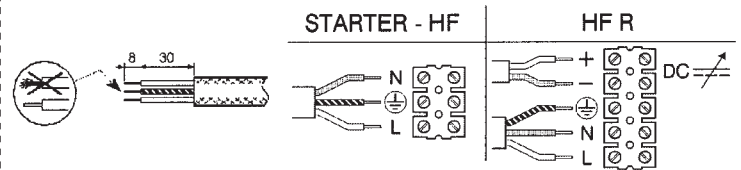
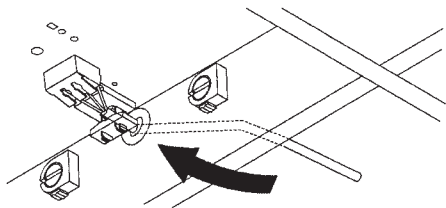
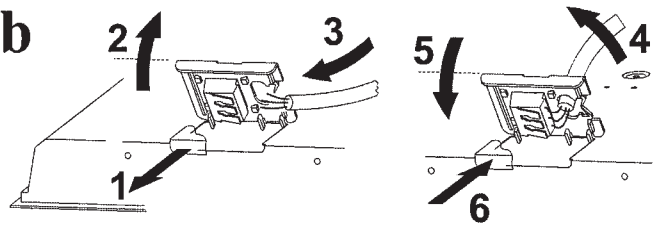
e1=30	L1
e2=26	L1
e3=18	L2
e4=15	L3
e5=13	L3

TYPE	L x l
3/4 L x 18W	577 x 577
36W	



1

MODULE	TYPE
600 x 600	3/4 L x 14/18 W
625 x 625	3/4 L x 14/18 W
300 x 1200	2 L x 28/36 W
600 x 1200	3/4 L x 36 W

2**3a****3b****4**