

Argon 4

(502685859/6438313774181)

Instruction manual

Käyttöohje

Bruksanvisning

Bruksanvisning

Brugsanvisning

Kasutusjuhend

Lietošanas rokasgrāmata

GB

FI

SE

NO

DK

EE

LV

CELLO

GENERAL INSTRUCTIONS

By purchasing this gas barbecue, you accept the obligation of reading all the instructions on assembly, use, care, and maintenance contained in this manual. Read all the instructions and advice before using the unit. In particular, read and understand all warning and safety instructions before using the gas barbecue. Follow all ignition and operation-related instructions closely. Handle metal parts carefully to avoid injuries. Follow the order of steps.

THIS BARBECUE IS FOR OUTDOOR USE ONLY. DUE TO OPEN DESIGN OF THE BARBECUE, POSSIBLE FAT LEAKS INTO THE COMPONENTS AND FAT SPILLS OUTSIDE THE BARBECUE, DO NOT USE THE BARBECUE NEAR OR ON TOP OF SENSITIVE SURFACES.

FAT OF MARINADE MAY LEAK UNDER THE BARBECUE, ONTO A BOTTOM PLATE OR INTO A CABINET, AND FAT/MARINADE SPLASHES TO THE SURROUNDING SURFACES ARE POSSIBLE. WHEN USING THE BARBECUE, FAT LEAKS OR SPLASHES ARE COMPLETELY NORMAL.

THE BARBECUE IS CE-MARKED AND APPROVED IN ACCORDANCE WITH VALID LEGISLATION. ANY STRUCTURAL MODIFICATION OF THE BARBECUE IS PROHIBITED. WHEN ASSEMBLING THE BARBECUE, NO COMPONENTS MAY BE OMITTED OR ANY COMPONENTS ADDED TO THE STRUCTURE.

BARBECUE-RELATED WARNINGS AND SAFETY INSTRUCTIONS

1. The barbecue is for outdoor use only.
2. Use of the barbecue for any other purpose than intended may be dangerous.
3. After use always turn off gas supply from the gas cylinder.
4. Follow all assembly instructions. Ignoring of the instructions may cause problems in use.

5. The barbecue heats up during use – be careful if there are pets, children, or the elderly nearby.
6. If you sense a strong smell of gas, turn off gas supply from the gas cylinder immediately. Extinguish all flames by closing the controller for each burner. Open the barbecue lid and check for possible leaks. Carry out a leak test in accordance with the instructions. Repair any leaking joints. If you cannot locate the fault, contact a qualified gas equipment maintenance services provider or the importer.
7. Do not move the barbecue while it is in use or still hot.
8. Do not use or store combustible materials, liquids or gasses near the barbecue.
9. Never check for leaks with open flame.
10. Do not use the barbecue if there are faults.
11. While the barbecue is in use, never disconnect any gas connections from the barbecue or regulator.
12. Never leave the barbecue unattended while in use.
13. Do not allow children to use the barbecue.
14. Clean the barbecue at regular intervals. Be careful not to damage the burner openings and controller nozzles during the cleaning.
15. In particular, the bottom of the barbecue, drip pan, barbecue plate and grid must be kept clean of fat and marinades. Risk of grease fire!
16. Do not use the barbecue under a canopy, next to a wall, inside a garage, motor-caravan or caravan, on board of a boat, in an enclosed area, or indoors. Check that there are no combustible or flammable materials nearby. There must be at least 1 meter (preferably more) of free space around the barbecue in all directions.
17. We recommend servicing and cleaning the barbecue at least once a year. If you are not sure of how to service the unit, instead of servicing it by yourself, contact an authorised gas equipment maintenance services provider.
18. Only a qualified gas equipment maintenance services provider is allowed to service and adjust the barbecue's main valves, gas taps, and valve nozzles.
19. Before using the barbecue after a long period of storage (for example, in spring) and after each replacement of the gas cylinder or installation of new components (such as pressure regulator or gas hose), always carry out a leak test.

20. When lighting the barbecue, the lid must always be open.

21. Use heat-resistant BBQ gloves and sturdy long-handled BBQ utensils when operating the barbecue.

22. Be prepared for possible accidents: make sure you know the location of the first aid kit and fire extinguisher and are capable of using them.

TECHNICAL SPECIFICATIONS

Modell: Cello Argon 4 (502685859)

Total power

Main burners: 12kW

Gas consumption: Max 872g/h

Operating pressure: 30 mbar

Gas: Butane/Propane

Appliance category: I3 B/P

Main burner nozzle diameter: 0.86mm



PIN CODE:0063CN7292

BEFORE USING THE BARBECUE

Gas cylinder, gas hose, pressure regulator

The gas hose, low-pressure regulator and hose clamps are not supplied by the manufacturer. These components need to be purchased separately. Acquire a LPG cylinder (min. 5 kg, max. 11 kg), low-pressure regulator (30 mbar), and gas hose from your dealer.

Note! The regulator connected to the cylinder may not be adjustable in any way and must be marked with the operating pressure 30 mbar.



The 30 mbar low-pressure regulators in the picture are suitable for a gas barbecue, while the high-pressure regulator on the right is intended for LPG tools and must not be used with a gas barbecue.

The gas hose used must be a 10 mm LPG hose approved for use in local country; the length may not exceed 1.2 m.

Check the condition of the gas hose on regular basis. Replace worn or damaged hose. Keep the gas hose away from hot parts of the barbecue.

Make sure the gas hose is not twisted in a manner preventing gas flow through the hose.

Gas cylinder installation

1. Check that all controllers of the barbecue are in the OFF position.
2. Install the gas hose tightly to the low-pressure regulators hose fitting and the other hose end to the hose fitting on the barbecue. Use hose clamps for tightening.
3. Attach the low-pressure regulator to the gas cylinder. Check the regulator connection to the gas cylinder by pulling the regulator strongly upwards.
4. Open gas supply from the low-pressure regulator slowly, to stabilize the gas pressure.

Gas cylinder removal

1. Use the low-pressure regulator to turn off the gas flow.
 2. Check that all controllers of the barbecue are in the OFF position.
 3. Detach the low-pressure regulator from the gas cylinder.
- Do not replace the gas cylinder near open flame or embers.

Prior to first use

Before first use of the barbecue, carry out full leak testing in accordance with the instructions. Light the barbecue and use all burners at MAX power for approx. 5 minutes (but not longer) with the lid open. After that, close the lid and continue using the barbecue at MAX power for additional 2-3 minutes. Once this is accomplished, the storage grease residues have burned off. Let the barbecue cool for about 15 minutes. Clean the grid and grilling plate by BBQ cleaning brush. Oil the grid and grilling plate with some cooking oil. Now the barbecue is ready for use.

Leak test

Leak testing is always required in the following cases:

- Before first-time ignition of the barbecue.
- Every time a new gas cylinder is installed or some component replaced.
- We recommend performing the test at least once a year, before every barbecue season.

Always carry out the leak test outdoors, away from heat, open flame, and combustible liquids. Do not smoke while performing the test. Always use 50/50 liquid soap/water solution for leak testing. Never use a match or open flame.

Always check the following when carrying out a leak test

- Gas cylinder valves and cylinder thread.
- All gas cylinder welds.
- Regulator mounting and gas cylinder connections.
- All hose joints (including side burner hoses, if present).


Carry out leak testing as follows

- Use a recently filled and checked gas cylinder connected to the barbecue with all of the barbecue connectors in the OFF position.
- Open the pressure regulator.
- Using a brush and soap/water solution, wet all of the connections and components.
- Check carefully for bubbles (signs of gas leakage).
- If bubbles appear next to connections, tighten the connections until retesting shows no sign of leakage (always turn off gas supply for the duration of leakage repairs).
- Close the pressure regulator and make sure the control valves are closed.

Do not use the barbecue if you fail to eliminate a leak. Close the gas cylinder valve, detach the gas cylinder and contact the importer.


USING THE BARBECUE

LIGHTNING INSTRUCTIONS

1. Open lid. Turn all control knobs to ● position.
2. Open gas cylinder valve. Wait for 5 seconds.
3. Press control knob to bottom and turn it anticlockwise till  position. Click-sound hears and burner ignites. If needed repeat 3-4 times.
4. If burner does not ignite, turn control knob to ● position and wait for 5 minutes. Repeat point 3 or ignite with matchstick.
5. When burner has ignited repeat point 3 with other burners.
6. Adjust power by turning control knobs.

Lighting by match in case of piezo igniter failure

Grill firebox's right side has open hole, where grill can be ignited with long match.

1. Always open the lid before lighting the barbecue.
2. Turn on gas supply from the cylinder and low-pressure regulator.
3. Though firebox's open hole place a burning match next to the burner.
4. Push and turn right side control knob till  position. Make sure by looking through the grid and heat distribution panel that the burner has definitely ignited.

If the burner still does not ignite, see the troubleshooting table for help.

Warning! Never lean over the barbecue when lighting or using it.

If the burner does not ignite in 10 seconds in spite of repeated attempts, turn off the barbecue controller and cut gas supply from the cylinder. Leave the lid open and wait for at least 5 minutes before re-attempting to light the barbecue. This way, the gas accumulated in the barbecue can escape.

Note! Side table frame is designed to hold max 5 kg weight. Do not surpass weight limit.

Using the barbecue

1. When cooking food with the barbecue lid closed, do not use more than one burner at MAX power. In most cases, a single burner at full power is sufficient for food preparation.
2. Never use more than two burners at MAX power simultaneously. Excessive heat may damage the barbecue components.
3. Never leave an operating barbecue unattended, not even for a moment.

Flame withdrawal from the burner

In windy weather, the wind may push the flame away from the burner. In such cases, the flame will burn under the control panel. At the same time, loud roaring or swishing noise can be heard.

The barbecue must be turned off immediately. If the barbecue is not turned off, the barbecue valve, control panel, and control knobs can be damaged.

Damages caused by wind-related flame withdrawal are not covered by the warranty.

Turning off the barbecue

1. Close off gas supply from the cylinder to the barbecue.
2. When all of the burner flames have extinguished, turn the burner controllers to the OFF position. Once more, make sure gas supply from the cylinder has been turned off.
3. Detach the pressure regulator from the gas cylinder.

Flame tamers

This barbecue is provided with flame tamers above the burners. The flame tamers are intended for even distribution of heat over the barbecue area, preventing hot flames from directly contacting the barbecued food, and protection of the burners against the fat, salty liquids and marinades dripping from the food. Lava stones may not be used in this barbecue.

The flame tamers are placed on top of burners, under the barbecue grid. A flame tamer is not used under blank grilling plate. Because of this, the number of flame tamers may differ from the number of burners.

Preparations

The barbecue needs to be warmed up before cooking food. For this, light up the barbecue and use it at MAX power for approx. 3-5 minutes with the lid down. If the food prepared requires lower cooking temperature, use the controllers to lower the temperature before loading the food. Never use all burners of the barbecue simultaneously at MAX power – otherwise, the barbecue will be too hot for cooking and the gas is wasted. Keeping one or two burners on at a time is usually sufficient, and a low power setting is recommended. Experience will teach you to choose the best setting.

Cooking time

This is influenced by several factors, and barbecuing experience comes in handy. The time required may depend on the raw materials, size of the barbecued food, and even the weather. Experience suggests that on a hot day, a lower power setting works better, whereas on a cold day a higher power setting could be more favourable. Try cooking various foods at different settings to get the best feel.

Flare-ups

Flare-ups may increase the temperature inside the barbecue overmuch and intensify fat dripping from the cooked foods, thus adding to the grease fire hazard. Minor flare-ups are normal and beneficial, adding to the pleasant barbecue taste. In order to keep the flare-ups under control, follow these tips:

- Remove visible fat from the meat before barbecuing.
- Cook chicken and pork at a lower power setting.
- Make sure that the fat drain aperture on the barbecue bottom is open and that the drip pan is not full. Empty and wash the drip pan regularly preferably after each use.
- If possible, always cook with the lid down and use the minimum efficient power setting.

If you keep the lid down, the temperature inside the barbecue remains constant and less gas is consumed. Also, the food does not dry out if the lid is down, due to the water vapors and heat released by the LPG gas circulating inside the barbecue.

Marinades

Marinades are intended for flavouring of the barbecued food. Inside the barbecue, marinades cause sticking of the food to the barbecue grid or grilling plate, may drain under the barbecue or catch fire.

If there is marinade present:

- Before placing the food into the barbecue, wipe off excessive marinade.
- Never pour marinade on barbecued food while inside the barbecue.
- Never apply marinade in which raw meat, chicken, or fish have been kept onto barbecued food by a BBQ brush. Otherwise, the bacteria from raw meat will end up in the cooked food.
- If you want to add taste or shiny surface to the barbecued food, use a brush to apply some barbecue sauce onto the food during the final stage of cooking. Always prepare the sauces separately.

MAINTENANCE, CLEANING AND STORAGE

Maintenance and cleaning of the barbecue

To ensure good condition and optimal service of the barbecue over the years, the barbecue and its components require cleaning and maintenance. Perform at least the following operations after each use, as soon as the barbecue has cooled.

Grilling grids and plates

If barbecued food has stuck to the grilling grids or plates, proceed as follows:

- Use a paper towel to wipe off excessive fat and marinade from the grid. Be thorough – do not leave fat or marinade inside the barbecue, for they may catch fire.
- Ignite the burners according to the instructions. Adjust the burners to maximum power. Close the barbecue lid.
- Let the burners incinerate any food residues, fat, and marinade stuck to the grid and barbecue pan. Use the burners at full power in an empty barbecue for max. 5 minutes, otherwise the barbecue components may overheat.
- Close the burners open the lid and let the components cool for at least 15 minutes, until it is safe to touch them.
- Use a brass BBQ brush to remove burnt food from the grid and barbecue pan. Only a brass brush intended specifically for barbecue cleaning may be used for this. The bristles of an ordinary steel brush are too hard and will spoil the surfaces of barbecue components. **The consequences of using a steel brush are not covered by warranty.**
- Finally, when the grids are clean, apply some cooking oil on them, rendering the barbecue ready for next use.

Any wear or corrosion of the grilling grid and plate due to ordinary use, improper maintenance, or incorrect storage are not covered by the warranty.

Other barbecue components

The wooden parts of the barbecue must be cleaned as follows:

- All wooden parts must be regularly cleaned by washing with soap/water solution and wiping by a damp cloth.

- Dry the cleaned surfaces carefully.

- Wooden parts must be treated at least 2-3 times a year by cleaning products for outdoor furniture commonly available in stores. This prevents drying and cracking of wooden components. Use the products in accordance with their instructions, but make sure they are suitable for wooden components. A good idea is to try cleaning and care products on some wood component not directly visible, for example, on the underside of the side table, before actual use. This ensures compatibility of the product with wooden parts.

The steel parts of the barbecue must be cleaned as follows:

- All steel parts must be regularly cleaned by washing with soap/water solution and wiping by a damp cloth.

- Dry the cleaned surfaces carefully.

- Texts and images printed on the control panel may only be wiped clean with damp cloth. Do not scrub or use any cleaning agents. A cleaning agent may detach the texts or other markings of the control panel.

- All steel parts, such as the barbecue lid and control panel, must be treated at least 2-3 times a year by steel cleaning and maintenance products available in stores, such as the CRC 5-56 universal spray. This prevents sticking of impurities and occurrence of rust spots on steel surfaces. Use care products in accordance with their instructions, but make sure they are suitable for steel surfaces of the barbecue. A good idea is to try cleaning and care products on some steel component not directly visible, for example, in the rear corner of the lid, before actual use. This ensures compatibility of the product with the steel parts of the barbecue.

- Use cleaning and maintenance products only on the outer surfaces of the barbecue.

Drip pan under the barbecue:

- The drip pan under the barbecue must be emptied whenever there are marinade and fat drips from the barbecue. Avoid formation of fat pools on the drip pan, as they may catch fire.

- Clean the drip pan by washing it in kitchen sink. Cleaning of the drip pan can be made

easier by covering it with a sheet of baking paper and a sheet of aluminium foil. Use a couple of small stones to keep them in place. When there is fat and marinade on the drip pan, remove and discard the foil and the baking paper. Do not put sand on the drip pan.

Attention! The fat and marinade on the drip pan may catch fire. The warranty does not cover grease fire-induced damages to the barbecue.

The flame tamers must be cleaned as follows:

- When the grids and grilling plate have been cleaned according to instructions, lift them out of their seats.

- Clean the heat distribution panels using a BBQ cleaning brush.

- Alternatively, you can wash the heat distribution panels in kitchen sink. Do not use a dishwasher for washing the panels.

- After cleaning, put the flame tamers back to their places.

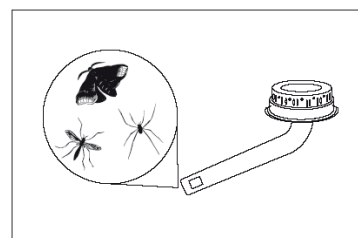
- Put back the grid and grilling plate.

Any wear or corrosion of the heat distribution panels due to ordinary use, improper maintenance, or incorrect storage are not covered by the warranty.

Burners

The condition and functionality of the burners and valves of the barbecue must be checked regularly. Detach the burners and check their condition at least two times per year. All burner openings must be checked and possible blockages cleared. At the same time, check that the valve nozzle is clean.

During transport/storage or between barbecue sessions, small insects (such as spiders) may crawl into the gas supply tubes and build nests or webs there.



This may prevent gas from arriving to the venturi tube, causing yellowish, smoky flame at the burner or rendering lighting of the burner impossible. This could even result in combustion

of the gas outside the supply tube, which may seriously damage the barbecue.

In case of such problems, close off gas supply and wait for the barbecue to cool. When the barbecue has cooled, remove the burner according to the instructions and clean the venturi tubes by brush or pipe cleaner. Reinstall the burner according to the instructions and make sure the gas supply tubes have been installed onto the gas valve nozzles.

If a gas fire has occurred outside the venturi tube, before re-igniting the barbecue, check the condition of all its components. If there are damaged components, do not use the barbecue. Contact the importer.

Gas supply tubes must be cleaned regularly, in particular, at the beginning of each barbecue season.

The warranty granted to the barbecue does not cover damages caused by blocked gas supply tubes or blocked valve nozzle.

To clean the burners, proceed as follows:

- Remove the barbecue grid, grilling plate and flame tamers.
- Remove the burner from the barbecues firebox by unscrewing the burner fixation screw. The screw is located at the rear end of the burner.
- Use a thin wire to clean the burner openings. Replace any damaged or extensively corroded burners as soon as possible.
- At the same time, check that the valve nozzle is clean.

If the burners are in good condition, reinstall them in the correct position.

- When reinstalling the burner to the barbecue, make sure that the valve nozzle enters into the burner's gas supply aperture.
- Attach the burner to the barbecue's firebox using the fixation screw.
- Put back the flame tamers, grid and grilling plate.

The warranty does not cover use-related wear or corrosion of the burners.

Storage

When the barbecue season is over and the barbecue must be stored for the winter, do at least the following:

- Thoroughly clean the barbecue. Wash the barbecue components by dishwashing brush and soap/water solution. Wash the burner box and lid of the barbecue from the inside as well. Rinse thoroughly.
- Re-assemble the barbecue and turn it on for about 20 minutes, until it is completely dry.
- Let the barbecue cool down again.
- Clean the grid and grilling plate using a BBQ cleaning brush.
- Oil the grid and grilling plate with some cooking oil.
- Clean the drip pan.
- Remove burners according to the instructions.
- Wrap the burners, grid and grilling plate, warming rack, and flame tamers loosely with newspaper and store the components indoors, in a dry and warm place.
- Treat the wooden components of the barbecue with wood oil.
- Detach the pressure regulator from the gas cylinder.

If you intend to store the barbecue outdoors, use a decent protection cover sold separately. Such a protection cover protects the barbecue from top to bottom and stays in place even in windy weather. Make sure there is air circulation under the protection cover. The barbecue must always be stored at least under a canopy, protected against direct rain or snowfall. Make sure snow dropping from the roof cannot damage the barbecue.

The warranty does not cover damages caused by dropping snow or strong wind (toppling of the barbecue).

Barbecue components to be stored indoors

The following barbecue components must be stored indoors, in a dry place over the winter:

- Cast iron grid and grilling plate
- Warming rack
- Burners
- Flame tamers

Gas cylinder storage

When the barbecue is not in use, gas flow from the cylinder to the barbecue must be turned off. The gas cylinder needs to be stored outdoors, in a well-ventilated place. Do not store the gas cylinder in a garage, basement, attic, or next to a heater.

WARRANTY AND WARRANTY PROCEDURE

Warranty

This barbecue and its components are covered by a two-year manufacturing and materials warranty. Keep the sales receipt, make a copy of the receipt and attach it to these instructions for use as a warranty certificate. In warranty matters, reliable verification of the place of purchase and date of purchase must be possible.

The warranty does not cover normal wear of the components, warping or cracking of wooden parts, corrosion of components or surfaces, faults induced by corrosion, faults and damages caused by improper use or inadequate maintenance of the unit.

Discoloration of steel surfaces, spotting and darkening are normal consequences of use and the passage of time. Especially in humid and salty environments, spot corrosion of steel surfaces is possible, for which reason use of steel care products in accordance with the instructions is very important. Such possible spot corrosion does not interfere with use of the unit and occurrence of the corrosion is completely normal for steel surfaces, for which reason it is not covered by the warranty.

If you should discover a fault of the product or product component during the warranty period, please contact the purchase place of the barbecue. The importer will take care of all warranty procedures. The importer will deliver a new component to replace the damaged or missing component, but will not be responsible for installation of the new component. In case of self-assembled barbecues, the customer is always

responsible for replacement of components, in accordance with the barbecue's instructions. Failure to follow said instructions will void the warranty and the use will not comply with the product certificate.

Use of the product for commercial production, sales, or leasing purposes will void the warranty. The following barbecue components are subject to use-related wear, for which reason the warranty does not cover any wear or corrosion thereof due to the use.

- Cast iron or stainless tube burners
- Barbecue grids and grilling plates
- Warming rack
- Flame tamers
- Grease tray

Warranty

If a fault is discovered in the product or product component during the warranty period, or if components are found missing during the assembly of the barbecue, contact the place of purchase.

Before submitting a warranty claim, carefully read the instructions for use and make sure that the claim is not related to improper use or lack of maintenance. In warranty matters, the following data must be submitted to the place of purchase:

- The brand and model of the barbecue
- The cause for the claim
- The part number of the defective part according to the parts list

TROUBLESHOOTING GUIDE

| Problem | Possible causes | Remedy |
|--|--|--|
| Impossible to light burner (with igniter or match) | <ul style="list-style-type: none"> • The burner openings are blocked | <ul style="list-style-type: none"> • Clear the blockages |
| | <ul style="list-style-type: none"> • Gas cylinder valve is not open | <ul style="list-style-type: none"> • Open gas cylinder valve |
| The burners do not produce enough heat | <ul style="list-style-type: none"> • Burners are not fitted properly to barbecue valves | <ul style="list-style-type: none"> • Make sure barbecue burners are fitted to valves |
| | <ul style="list-style-type: none"> • Burner air inlet is blocked | <ul style="list-style-type: none"> • Clean or replace burner |
| | <ul style="list-style-type: none"> • Cylinder is empty or almost empty | <ul style="list-style-type: none"> • Replace with new cylinder |
| | <ul style="list-style-type: none"> • Regulator is not fitted properly to cylinder | <ul style="list-style-type: none"> • Check regulator connection to cylinder |
| | <ul style="list-style-type: none"> • Gas supply is blocked | <ul style="list-style-type: none"> • Straighten gas hose |
| Yellow, smoky flame | <ul style="list-style-type: none"> • Burner air inlet openings are blocked | <ul style="list-style-type: none"> • Clear the blockages |
| | <ul style="list-style-type: none"> • Lots of salt or marinade on burner surfaces | <ul style="list-style-type: none"> • Clean burners |
| Burner can be lit with match, but not with igniter | <ul style="list-style-type: none"> • Poor conductor contact | <ul style="list-style-type: none"> • Check all connections for tightness |
| | <ul style="list-style-type: none"> • Defective igniter or electrode • Poor grounding | <ul style="list-style-type: none"> • Make sure the burner and igniter are installed correctly |
| | <ul style="list-style-type: none"> • Defective igniter | <ul style="list-style-type: none"> • Replace igniter |
| Flame goes out | <ul style="list-style-type: none"> • Windy weather | <ul style="list-style-type: none"> • Move barbecue away from wind |
| | <ul style="list-style-type: none"> • Cylinder almost empty | <ul style="list-style-type: none"> • Replace cylinder |
| Excessive heat excessive flare-ups | <ul style="list-style-type: none"> • Fat-rich food | <ul style="list-style-type: none"> • Trim excess fat and reduce burner power |
| | <ul style="list-style-type: none"> • Blocked fat drain from barbecue | <ul style="list-style-type: none"> • Clean the fat collector and burners |
| | <ul style="list-style-type: none"> • Cooked food is not positioned correctly | <ul style="list-style-type: none"> • Position cooked food correctly. |
| Flames under control panel | <ul style="list-style-type: none"> • Blocked burners | <ul style="list-style-type: none"> • Shut off gas immediately, allow barbecue to cool down and clean burners |
| | <ul style="list-style-type: none"> • Strong wind | |
| Regulator humming | <ul style="list-style-type: none"> • This is not a defect or a hazard | <ul style="list-style-type: none"> • A temporary situation caused by high outside air temperature and full cylinder |
| Incomplete flame | <ul style="list-style-type: none"> • The flame is visibly yellow | <ul style="list-style-type: none"> • Clean or replace burner and check for burner blockages |
| The flame is too big | <ul style="list-style-type: none"> • You are using the wrong type of pressure regulator. | <ul style="list-style-type: none"> • Replace with 30 mbar pressure regulator |

YLEISET OHJEET

Ottaessasi tämän kaasugrillin käyttöön olet samalla veloitettu lukemaan kaikki tässä käyttöohjeessa olevat kasaamis-, käyttö-, hoito- ja huolto-ohjeet. Lue kaikki ohjeet ja neuvot ennen kuin käytät laitetta. Erityisesti sinun tulee lukea ja ymmärtää kaikki varoitukset- ja turvaohjeet ennen kaasugrillin käyttöä. Seuraa tarkoin sytytykseen ja käyttöön liittyviä ohjeita. Käsittele metalliosia varovasti, ettet loukkaa itseäsi. Seuraa kaikkia kohtia järjestyksessä.

TÄMÄ GRILLI ON TARKOITETTU AINOASTAAN ULKOKÄYTTÖÖN.

JOHTUEN GRILLIN AVONAISESTA RAKENTEESTA, MAHDOLLISISTA RASVAVALUMISTA RAKENTEISSA JA RASVAN ROISKUMISESTA GRILLIN ULKOPUOLELLE, ÄLÄ KÄYTÄ GRILLIÄ ARKOJEN PINTOJEN LÄHEISYYDESSÄ TAI PÄÄLLÄ.

GRILLISTÄ SAATTAÄ VALUA RASVAA TAI MARINADEJA GRILLIN ALLE, ALATASOLLE TAI KAAPPIIN, SEKÄ NIITÄ SAATTAÄ ROISKUA GRILLIN YMPÄRISTÖÖN. RASVAVALUMAT TAI ROISKEET OVAT NORMAALI ILMIÖ KÄYTETTÄESSÄ GRILLIÄ.

GRILLI ON CE-MERKITYY JA SE ON VOIMASSA OLEVIENT ASETUSTEN MUKAISESTI HYVÄKSYTTY. GRILLIN PIENIKIN RAKENTEELLINEN MUUTAMINEN ON KAIKILTA OSIN KIELLETTY. GRILLIN KASAUKSESSA EI MITÄÄN OSIA SAA RAKENTEESTA JÄTTÄÄ POIS, MYÖSKÄÄN MITÄÄN OSIA RAKENTEeseen EI SAA LISÄTÄ.

GRILLIIN LIITTYVÄT VAROITUKSET JA TURVAOHJEET

1. Grilli on tarkoitettu ainoastaan ulkokäyttöön.
2. Grillin käyttäminen muuhun kuin suunniteltuun tarkoitukseen voi aiheuttaa vaaraa.
3. Sulje kaasuntulo kaasupullosta aina käytön jälkeen.

4. Seuraa kaikkia asennusohjeita. Jos ohjeita ei seurata, voi ilmetä ongelmia käytössä.

5. Grilli kuumenee käytön aikana, ole tarkkaavainen jos lähettyvillä on lemmikkejä, lapsia tai vanhuksia.

6. Jos tunnet voimakasta kaasun hajua, sulje kaasuntulo kaasupullosta välittömästi. Sammuta kaikki palavat liekit sulkemalla jokaisen polttimen säädin. Avaa grillin kansi ja tarkista mahdolliset vuodot. Tee vuototesti ohjeiden mukaan. Korjaa mahdolliset vuotavat liitokset. Jos et löydä vikaa, ota yhteyttä kaasuasennusliikkeeseen tai ostopaikkaan.

7. Älä siirrä grilliä käytön aikana tai kun grilli on vielä kuuma.

8. Älä käytä tai säilytä palavia materiaaleja, nesteitä tai kaasuja grillin läheisyydessä.

9. Älä koskaan tarkista kaasuvuotoa avotulella.

10. Älä käytä grilliä jos siinä on vikaa.

11. Älä irrota mitään kaasuliitoksia grillistä taisäätimestä kun grilli on käytössä.

12. Älä koskaan jätä grilliä vartioimatta käytön aikana.

13. Älä anna lasten käyttää grilliä.

14. Grilli täytyy puhdistaa säännöllisin väliajoin. Varo ettet vaurioita polttimien aukkoja ja säätimien suuttimia puhdistuksen aikana.

15. Etenkin grillin pohja, rasvapelti, parila ja ritilä tulee pitää puhtaana rasvasta ja marinadeista. Rasvapalon vaara.

16. Älä käytä grilliä katoksen alla, seinän vieressä, autotallissa, matkailuautossa tai – vaunussa, veneessä, suljetussa tilassa tai sisätiloissa. Tarkista ettei lähettyvillä ole palavia tai syttyviä materiaaleja. Vapaata tilaa täytyy olla grillin sivuilla joka suuntaan vähintään yksi metri, mielellään enemmän.

17. Suosittelemme huoltamaan ja puhdistamaan grillin vähintään kerran vuodessa. Jos et ole varma miten laite huolletaan, älä yritä itse huoltaa laitetta, vaan anna valtuutetun kaasuhuolto liikkeen tehdä huolto.

18. Vain kaasuasennusoikeudet omaava huolto liike saa huoltaa ja säätää grillin pääventtiileitä, kaasuhanoja ja venttiilien suuttimia.

19. Tee grillille aina vuototesti kun otat sen käyttöön pitkän varastointiajan jälkeen esim. keväällä ja aina kun

vaihdat kaasupullon tai olet asentanut uusia osia järjestelmään, kuten paineensäätimen tai kaasuletkun.

20. Grillin kansi täytyy olla aina auki kun sytytät grillin.

21. Käytä kuumaa kestäviä grillihanskoja ja tukevia pitkävartisia grillaustarvikkeita apuvälineenä kun käytät grilliä.

22. Valmistaudu mahdolliseen onnettomuuteen niin että tiedät missä ensiapupakkaus ja käsisammutin ovat, ja että osaat käyttää niitä.

TEKNISET TIEDOT

Malli: Cello Argon 4 (502685859)

Kokonaisteho, pääpoltin: 12kW

Kaasunkulutus: Max 872g/h

Käyttöpaine: 30 mbar

Kaasu:Butaani/Propaani

Käyttöluokka: I3B/P

Pääpolttimen suuttimen halkaisija: 0.86 mm

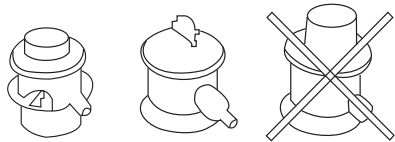
CE 0063-25

TUNNISTEKOODI:0063CN7292

ENNEN GRILLIN KÄYTTÖÄ

Kaasupullo, kaasuletku ja paineensäädin

Grillin mukana ei toimiteta kaasuletkua, matalapaineensäädintä eikä letkukiristimiä. Ne myydään erikseen. Hanki vähintään 5 kg ja enintään 11 kg nestekaasupullo, matalapaineensäädin (29-30 mbar) ja kaasuletku jälleenmyyjältäsi. Huom! Pulloon liitettävä paineensäädin ei saa olla millään tavoin säädettävissä ja siinä pitää lukea, että säätimen käyttöpaine on 29-30 mbar.



Kuvassa 29-30 mbar matalapaineensäätimet, jotka ovat oikea valinta kaasugrillille sekä oikealla korkeapaineensäädin, joka on tarkoitettu nestekaasutyökaluille eikä sitä saa käyttää kaasugrillissä.

Kaasuletku pitää olla Suomessa hyväksytyä halkaisijaltaan 10 mm nestekaasuletkua ja sen pituus saa olla enintään 1,2 m.

Tarkista kaasuletkun kunto säännöllisesti. Vaihda kulunut tai vaurioitunut letku uuteen. Pidä huoli, ettei kaasuletku ota kiinni grillin kuumiin osiin.

Katso, ettei kaasuletku ole kiertynyt tiukalle mutkalle, joka estää kaasun virtauksen kaasuletkussa.

Käytä grillin alla olevaa tasoa vain kaasupullon säilyttämiseen. Kun käytät grilliä, ota kaasupullo aina pois grillin alta turvallisuus syistä.

Kaasupullon asennus

1. Tarkasta että kaikki grillin säätimet ovat kiinni asennossa (OFF).
2. Asenna kaasuletku tiiviisti matalapaineensäätimen letkuistukkaan ja toinen pää grillissä olevaan letkuistukkaan. Käytä kiristykseen letkuklemmareita.
3. Kiinnitä matalapaineensäädin kaasupulloon. Tarkista säätimen kiinnitys kaasupulloon vetämällä säätimestä voimakkaasti ylöspäin.
4. Avaa kaasuntulo matalapaineensäätimestä hitaasti, että kaasunpaine tasaantuu.

Kaasupullon irrotus

1. Sulje kaasunvirtaus matalapaineensäätimestä.
2. Tarkasta että kaikki grillin säätimet ovat kiinni asennossa (OFF).
3. Irrota matalapaineensäädin kaasupullost.

Älä vaihda kaasupulloa avotulen tai hiiloksen läheisyydessä.

Grillin käyttöönotto

Ennen ensimmäistä grillin käyttökertaa, tee sille täydellinen vuototesti ohjeiden mukaisesti. Sytytä grilli ja käytä kaikkia polttimia Max-teholla noin 5 minuuttia kansi auki, älä yhtään kauemmin. Sen jälkeen sulje kansi ja jatka grillin käyttöä Max-teholla vielä 2-3 minuutin ajan. Kun tämä on suoritettu, on grillistä varastorasvat poltettu pois. Anna grillin jäähtyä noin 15 minuuttia. Puhdista ritilä ja parila grillinpuhdistusharjalla. Öljyä ritilä ja parila ruokaöljyllä. Nyt grilli on valmis käyttöön.

CELLO

Vuototesti

Vuototesti tulee suorittaa aina seuraavissa yhteyksissä:

- Ennen grillin sytyttämistä ensimmäistä kertaa.
- Joka kerta kun täysi kaasupullo vaihdetaan tilalle tai jokin osa vaihdetaan.
- Vähintään kerran vuodessa, on suositeltavaa tehdä testi ainakin käyttökauden alussa.

Vuototesti täytyy tehdä aina ulkona, etäällä kuumuudesta, avotulesta ja tulenaroista nesteistä. Älä tupakoi testiä suorittaessasi. Käytä ainoastaan nestesaippuan ja veden seosta 50/50 vuototestiin. Älä koskaan käytä tulitikkua tai avotulta.

Seuraavat asiat täytyy aina tarkistaa vuototestissä

- Kaasupullon venttiilit sekä pullon kierteet.
- Kaikki kaasupullon hitsaukset.
- Säätimen kiinnitykset ja kaasupullon liitännät.
- Kaikki letkuliitokset, sekä sivupolttimen letkut jos niitä on.

Tee vuototesti seuraavasti

- Käytä hiljaintain täytettyä ja tarkastettua kaasupulloa, joka on liitetty grilliin, ja kaikki grillin säätimet kiinni-asennossa (OFF).
- Avaa paineensäädin.
- Käyttämällä harjaa ja saippuavettä, kastele kaikki kohdassa mainitut liitokset ja osat.
- Katso huolellisesti muodostuvia kuplia, jotka ilmaisevat kaasuvuotoa.
- Kiristä liitoksia kuplivissa kohdissa kunnes uudesti testattaessa ei havaita vuodon merkkejä (Sulje kaasuntulo aina vuotojen korjaamisen ajaksi).
- Sulje paineensäädin ja varmista, että säätöventtiilit ovat kiinni.

Älä käytä grilliä ellei vuotoja saa korjattua. Sulje kaasupullon venttiili, irrota kaasupullo ja ole yhteydessä maahantuojaan.

GRILLIN KÄYTTÄMINEN

Sytyttäminen säätimeen integroidulla piezolla (Huom! Sytytys on jokaisessa säätönupissa)

1. Avaa grillin kansi aina kun sytytät polttimen.
2. Avaa kaasun tulo pullosta ja matalapainesäätimestä.
3. Paina polttimen säätönuppi sisään ja käännä vastapäivään ison liekin kuvan kohdalle, samalla kuulet piezo-sytyttimen naksahduksen. Naksahduksen jälkeen pidä nappulaa sisään painettuna noin 2-3 sekuntia, jolloin apuliekki sytyttää liekin grillin polttiin.
4. Toista kohta 3 niin useasti, että poltin syttyy.
5. Säädä polttimen liekkiä kääntämällä säädintä ison ja pienen tehon välillä.
6. Kun poltin on syttynyt, voidaan loput polttimet sytyttää kääntämällä poltinta vastaavaa säätönuppiä vastapäivään.

Sytyttäminen tulitikulla, jos säätimeen integroitu piezo ei toimi

1. Avaa grillin kansi aina kun sytytät grillin.
2. Avaa kaasun tulo pullosta ja matalapainesäätimestä.
3. Sytytä aina ensin ritilän alla näkyvä poltin. Paina säätimen nappulaa sisään ja käännä vastapäivään ison liekin kuvan kohdalle.
4. Vie samaan aikaan palava tulitikku polttimen juureen säätimen nappulan alta rasvapellin ja grillin rungon välistä. Varmistu katsomalla ritilän ja lämmönjakolevyn läpi, että poltin on varmasti syttynyt.

Jos poltin ei vielä kukaan syty, katso ongelmanratkaisutaulukosta apua.

Varoitus! Älä milloinkaan kumarru grillin päälle, kun sytytät tai käytät grilliä.

Jos grillin poltin ei syty useista yrityksistä huolimatta 10 sekunnin aikana, sulje grillin säädin ja kaasun tulo pullosta. Jätä kansi auki ja odota vähintään 5 minuuttia ennen kuin yrität uudelleen sytyttää grillin. Näin grilliin kerääntynyt kaasu tuulettuu pois.

HUOM! Sivutasot on suunniteltu kannattelemaan enintään 5 kg painoa. Älä ylitä painorajoitusta.

Grillin käyttäminen

1. Älä käytä enempää kuin yhtä poltinta Max teholla kun valmistat ruokaa grillissä kansi kiinni. Usein tämä yhden polttimen teho riittää ruoan valmistukseen.
2. Älä koskaan käytä enempää kuin kahta poltinta täysillä samanaikaisesti. Liika kuumuus voi vaurioittaa grillin osia.
3. Älä koskaan jätä päällä olevaa grilliä hetkeksikään vartioimatta.

Liekin vetäytyminen polttimen juureen

Tuulisella säällä on mahdollista, että tuuli painaa liekin pois polttimesta. Tällöin liekki jää palamaan ohjauspaneelin alle. Samalla kuuluu voimakas kohiseva tai röpöttävä ääni.

Tällöin grilli on sammutettava välittömästi. Jos grilliä ei sammuteta, voivat grillin venttiili, ohjauspaneeli ja säätönupit vaurioitua.

Tuulen aiheuttaman liekin vetäytymisen aiheuttamat vauriot eivät kuulu takuun piiriin.

Grillin sammuttaminen

1. Sulje kaasuntulo pullosta grilliin.
2. Kun kaikki liekit ovat polttimista sammuneet, käännä polttimien säätimet kiinni OFF-asentoon. Varmistu vielä että kaasun tulo pullosta on varmasti kiinni.
3. Irrota paineensäädin kaasupullostasta.

Lämmönjakopellit

Tässä grillissä on lämmönjakopellit polttimien yläpuolella. Lämmönjakopeltien tehtävä on jakaa lämpö tasaisesti grillausalueelle, estää kuuman liekin osumista suoraan grillattaviin tuotteisiin sekä suojella polttimia ruoasta tippuvilta rasvoilta, suolaisilta nesteiltä sekä marinadeilta.

Grillissä ei käytetä laavakiviä. Lämmönjakopellit laitetaan grillausritilän alapuolella olevien polttimien päälle. Umpiparilan alla ei käytetä lämmönjakopeltiä. Tästä johtuen lämmönjakopeltien lukumäärä on eri kuin grillin polttimien lukumäärä.

Esivalmistelut

Grilli pitää kuumentaa ennen ruokien laittoa grilliin. Tämä tehdään sytyttämällä grilli ja käyttämällä sitä Max-teholla noin 3-5 minuuttia kansi alhaalla. Jos valmistettava ruoka vaatii alhaisempaa lämpötilaa kypsennykseen, käännä tehoa säätimistä pienemmälle ennen ruoan laittamista grilliin. Älä käytä grillin kaikkia polttimia koskaan grillatessa Max-teholla samaan aikaan, koska grilli on silloin tarpeettoman kuuma ruoan valmistukseen, ja kulutat turhaan kaasua. Yleensä riittää että yksi - kaksi poltinta on samaan aikaan päällä, ja nekin pienellä teholla. Grillauskokemuksesta on hyötyä tässä asiassa.

Kypsennysaika

Tähän vaikuttaa moni asia ja grillauskokemuksesta on hyötyä. Raaka-aineet, grillattavan ruoan koko ja jopa säätila voivat vaikuttaa kypsennysaikaan. Kokeemus näyttää, että kuumana päivänä, matalampi tehoasento toimii paremmin ja kylmänä päivänä korkeampi tehoasento voi toimia paremmin. Parhaan tuntuman grilliin saa kokeilemalla eri ruokia, eri tehoilla.

Liekkien leimahtelu

Liekkien leimahtelu voi nostaa grillin sisälämpötilaa liikaa ja lisätä rasvan tippumista grillattavista ruoista, näin lisäten rasvapalon vaaraa. Joskin vähäinen leimahtelu on normaalia ja suotavaa, koska se antaa ruokaan mukavasti grillauksen makua. Liekkien leimahtelun pitämiseksi sopivana, toimi seuraavasti:

- Poista näkyvä rasva lihasta ennen grillaamista.
- Kypsytä kanan- ja possunliha pienemmällä teholla.
- Varmista, että rasvanpoistoaukko grillin pohjassa on auki ja ettei rasvapelti ole täynnä. Tyhjennä ja pese rasvapelti säännöllisesti, mielellään jokaisen käyttökerran jälkeen.
- Grillaa mahdollisuuksien mukaan aina kansi alhaalla ja käytä alinta tehokasta tehonsäätöasetusta.

Pitämällä grillatessa kannen alhaalla, pysyy grillissä lämpötila tasaisena ja grilli kuluttaa vähemmän kaasua. Myös ruoka ei kuivu kannen ollessa alhaalla, johtuen nestekaasuliekkin vapauttamasta vesihöyrystä ja lämmöstä, joka grillissä kiertää.

Marinadit

Marinadien tehtävä on maustaa grillattavat tuotteet. Grillin sisällä marinadit aiheuttavat tuotteiden kiinnipalamista grillausritilään tai – parilaan, voivat valua grillin alle tai ne voivat syttyä palamaan.

Kun marinointi on suoritettu:

- Ennen grilliin laittamista, poista ylimääräiset marinadit pyyhkimällä ne paperilla.
- Älä koskaan kaada marinadia grillissä olevien grillattavien tuotteiden päälle.
- Älä koskaan penslaa grillaussudilla marinadia grillattavien tai grillatuiden tuotteiden päälle, jossa liha, broileri tai kala on ollut raakana. Raa'an lihan bakteerit päätyvät muuten valmiiseen tuotteeseen.
- Jos halutaan lisätä makua tai kiiltävää pintaa grillattuihin tuotteisiin, voi grillauksen loppuvaiheessa penslata maustekastikkeita tuotteisiin. Valmista ne aina erikseen.

GRILLIN HUOLTO, PUHDISTUS JA VARASTOINTI

Grillin huolto ja puhdistus

Jotta grilli pysyy hyvässä kunnossa ja siitä saisi parhaan hyödyn useiksi vuosiksi, täytyy grilliä ja sen osia myös puhdistaa ja huoltaa. Tee vähintään seuraavasti aina jokaisen käyttökerran jälkeen heti kun grilli on jäähtynyt.

Grillin grillausritilät ja -parilat

Jos grillin grillausritilöihin ja -pariloihin on jäänyt grillattavaa ruokaa kiinni, toimi seuraavassa järjestyksessä:

- Pyyhi talouspaperilla ylimääräinen rasva ja marinadit ritilöistä pois. Pyyhi tarkkaan, rasvaa ja marinadeja ei saa jäädä grilliin koska ne voivat syttyä palaamaan.
 - Sytytä grillin polttimet ohjeiden mukaisesti. Säädä polttimet suurimmalle teholle. Laske grillin kansi alas.
 - Anna polttimien polttaa kiinni jäänyt ruoka, rasva ja marinadi karrelle ritilässä ja parilassa. Käytä polttimia täydellä teholla tyhjässä grillissä korkeintaan 5 minuuttia, muuten grillin osat voivat kuumentua liikaa.
 - Sulje polttimet, avaa grillin kansi ja anna osien jäähtyä ainakin 15 minuuttia kosketuslämpöiseksi.
 - Harjaa karrelle palanut ruoka ritilästä ja parilasta grillin puhdistukseen tarkoitetulla pehmeällä grilliharjalla. Harjan tulee olla ehdottomasti grillinpuhdistukseen tarkoitettu grilliharja. Tavallisen teräsharjan harjakset ovat liian kovat ja ne rikkovat grillin osien pinnat. Teräsharjan käytön jäljet eivät kuulu takuun piiriin.
 - Lopuksi kun ritilät ovat harjattu puhtaaksi, sivele niihin ruokaöljyä, niin grilli on heti käyttövalmis seuraavaa kertaa varten.
- Grillausritilän ja -parilan käytöstä aiheutuva kuluminen tai huollon laiminlyönnistä ja väärästä varastoinnista aiheutuva ruostuminen ei kuulu takuun piiriin.

Grillin muut osat

Grillin teräsosat tulee puhdistaa seuraavasti:

- Kaikki grillin teräsosat tulee säännöllisesti puhdistaa saippuavesiseoksella ja kostealla puhdistusliinalla pyyhkimällä.
- Kuivaa puhdistetut pinnat huolellisesti.
- Ohjauspaneelin painettuja tekstejä ja kuvioita ei saa puhdistaa millään muulla kuin kostealla liinalla. Älä hankaa tai käytä puhdistusaineita. Puhdistusaineet voivat irrottaa ohjauspaneelin tekstit ja muut merkin-
- Kaikki teräsosat kuten grillin kansipelti ja ohjauspaneeli täytyy käsitellä yleisesti kaupoissa myytävillä teräksen puhdistus- ja hoitoaineilla vähintään 2-3 kertaa vuodessa, esimerkiksi CRC 5-56 monitoimispayllä. Tällä ehkäistään lian pinttyminen ja ruostepilkkujen esiintyminen teräspinnoilla. Käytä hoitoaineita niiden omien ohjeiden mukaan, kuitenkin ensin kokeillen aineen soveltuvuus grillin teräspinnalle. Puhdistus- ja hoitoaineita on hyvä kokeilla johonkin grillin teräsosaan joka ei ole suoraan näkyvässä esim. kannen takakulmaan ennen varsinaista käyttöä. Näin varmistutaan aineen soveltuvuus grillin teräsosille.
- Käytä puhdistus- ja hoitoaineita ainoastaan grillin ulkopinnoille.

Grillin alla oleva rasvapelti:

- Grillin alla oleva rasvapelti tulee tyhjentää aina kun sinne on tippunut grillistä marinadeja ja rasvaa. Rasvapellille ei saa päästää muodostumaan lammikoita, koska ne saattavat syttyä palamaan.
- Puhdista rasvapelti pesemällä se tiskialtaassa. Rasvapellin puhdistusta voi helpottaa laittamalla sille leivinpaperin, jonka päälle aluminifolion. Muutama kivi pitämään näitä paikoillaan. Kun rasvapellillä on rasvaa ja marinadeja otetaan folio ja leivinpaperi pois ja laitetaan roskikseen. Älä laita hiekkaa rasvapellille.

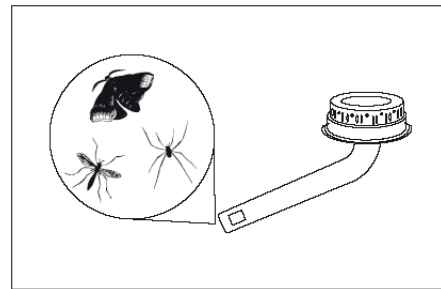
Huomio! Rasvapellillä oleva rasva ja marinadi voivat syttyä palamaan. Rasvapalosta aiheutuneet grillin vauriot eivät kuulu takuun piiriin.

- Grillin lämmönjakopellit tulee puhdistaa seuraavasti:
- Kun ritilä ja parila on puhdistettu ohjeen mukaisesti, nosta ne pois paikoiltaan.
 - Puhdista lämmönjakopellit grillin puhdistusharjalla harjaamalla.
 - Vaihtoehtoisesti voit pestä lämmönjakopellit tiskialtaassa. Älä laita lämmönjakopeltejä astianpesukoneeseen.
 - Puhdistuksen jälkeen laita lämmönjakopellit takaisin paikoilleen.
 - Laita ritilä ja parila takaisin paikoilleen.

Lämmönjakopellin käytöstä aiheutuva kuluminen tai huollon laiminlyönnistä ja väärästä varastoinnista aiheutuva ruostuminen ei kuulu takuun piiriin.

Grillin polttimet

Grillin polttimien sekä venttiilien kunto ja toiminta on tarkistettava säännöllisesti. Vähintään kahdesti vuodessa on grillin polttimet otettava irti ja tarkistettava niiden kunto. Polttimien kaikki reiät tulee tarkastaa ja puhdistaa niistä mahdolliset tukokset. Samalla tulee tarkistaa että venttiilin suutin on puhdas.



Kuljetuksen, grillauskertojen välillä tai varastoinnin aikana, on mahdollista, että pienet hyönteiset kuten hämähäkit voivat päästä kaasunsyöttöputkiin, pesiä siellä tai tehdä verkkojaan.

Tämä voi estää kaasun tulon syöttöputkeen, aiheuttaen savuavan kellertävän liekin polttimessa tai estää polttimen syttymisen kokonaan. Se voi jopa aiheuttaa kaasun palamisen syöttöputken ulkopuolella, mikä voi vakavasti vahingoittaa grilliä.

Jos näin tapahtuu, sulje kaasun tulo ja odota että grilli jäähtyy. Kun grilli on jäähtynyt, irrota poltin ohjeiden mukaisesti ja puhdista kaasunsyöttöputket harjalla tai piipunpuhdistimella. Asenna poltin takaisin ohjeiden mukaisesti ja varmistu, että kaasunsyöttöputket on asennettu kaasuventtiilien suuttimien päälle.

Jos kaasu on päässyt syttymään syöttöputken ulkopuolella, tarkista grillin kaikkien osien kunto ennen grillin sytyttämistä uudelleen. Jos osia on vaurioitunut, älä käytä grilliä. Ota yhteys maahantuojaan.

Kaasunsyöttöputkien puhdistus tulee tehdä säännöllisesti, erityisesti käyttökauden alussa.

Grillille myönnetty takuu ei kata tukkeutuneista kaasunsyöttöputkista tai tukkeutuneesta venttiilin suuttimesta aiheutunutta vahinkoa.

Polttimien puhdistus tapahtuu seuraavasti.

- Poista grillausritilä ja parila sekä lämmönjakopelti.
- Irrota poltin grillin tulilaatikosta avaamalla kiinnike, jolla poltin on kiinni. Kiinnike on polttimen takapäässä.
- Käytä ohutta rautalankaa polttimen reikien puhdistamiseen. Jos polttimet ovat vahingoittuneet tai ovat pahasti ruosteessa, vaihda viallinen poltin uuteen mahdollisimman pian.
- Tarkista samalla, että venttiilin suutin on puhdas.

Jos polttimet ovat hyvässä kunnossa, asenna ne takaisin paikoilleen oikeaan asentoon.

- Varmista, että poltinta grilliin takaisin asennettaessa venttiilin suutin menee polttimen kaasunsyöttöaukon sisään.
- Kiinnitä poltin grillin tulilaatikkoon kiinnikkeellä.
- Laita lämmönjakopelti sekä ritilä ja parila takaisin paikoilleen.

Polttimien käytöstä aiheutunut kuluminen tai niiden ruostuminen ei kuulu takuun piiriin.

Grillin varastointi

Kun grillauskausi on ohi ja varastoit grillin talven ajaksi, tee vähintään seuraavat asiat:

- Puhdista grilli perusteellisesti. Pese grillin osat astianpesuharjalla sekä saippuavesiseoksella. Pese grillin tulilaatikko sekä kansi myös sisäpuolelta.
- Laita grilli takaisin päälle ja pidä grilliä päällä noin 20 minuuttia, jotta grilli on kuivunut perusteellisesti.
- Anna grillin jäähtyä.
- Harjaa grillin puhdistusharjalla grillausritilä ja – parila puhtaaksi. - Öljyä ritilä ja parila ruokaöljyllä.
- Puhdista rasvapelti.
- Irrota polttimet ohjeen mukaisesti.
- Kääri polttimet, ritilä ja parila, lämmitysritilä sekä lämmönjakopellit ilmavasti sanomalehtipaperiin ja säilytä ne kuivassa lämpöisessä paikassa sisätiloissa.
- Irrota paineensäädin kaasupullosta.

Jos säilytät grillin ulkona, hanki grillille kunnan suoja- peite, joita myydään lisävarusteena. Kunnan suoja- peite suojaa grillin alas saakka ja pysyy paikoillaan kovallakin tuulella. Huolehdi, että ilma pääsee kiertämään suojapeitteen alla. Grilli on säilytettävä aina vähintään katoksen alla, niin ettei se koskaan ole suoraan vesi- tai lumisateessa. Huolehdi, ettei katolta tippuva lumi pääse vaurioittamaan grilliä.

Katolta tippuneen lumen tai tuulen kaataman grillin vauriot eivät kuulu takuun piiriin.

Grillin sisätiloissa säilytettävät osat

Seuraavat grillin osat tulee säilyttää kuivassa sisätilassa talven yli:

- Valurautaritulä ja – parila.
- Lämmitysritilä
- Polttimet
- Lämmönjakopellit
- Rasvapelti ja -kuppi

Kaasupullon varastointi

Kun grilli ei ole käytössä, kaasupullosta täytyy kaasun virtaus grilliin olla suljettu. Kaasupullo vaatii säilytystä ulkosalla, hyvin tuulettuvassa tilassa. Älä varastoi kaasupulloa autotallissa, kellarissa, vintillä tai lämmityslaitteen vieressä.

TAKUU JA TAKUUASIOIDEN KÄSITTELY

Takuu

Tällä grillillä ja sen osilla on kahden vuoden valmistus- ja materiaalitakuu. Säästä ostokuitti, ota siitä kopio ja liitä se näihin käyttöohjeisiin takuudokumentiksi. Takuuasioissa on ostopaikka ja ostopäivämäärä kyettävä osoittamaan luotettavasti toteen.

Takuu ei kata osien normaalia kulumista, osien tai pintojen ruostumista, ruostumisesta johtuvia vikoja, laitteen väärinkäytöstä tai huollon laiminlyönnistä johtuvia vikoja ja jälkiä.

Teräspintojen värimuutos, pilkuttuminen ja tummeneminen on normaalia käytössä ja ajan kuluessa. Teräspinnoilla saattaa varsinkin kosteassa ja suolaisessa ympäristössä esiintyä korroosiopilkkuja, joten teräksen hoitoaineiden käyttö ohjeiden mukaan on ehdottoman tärkeää. Nämä mahdolliset korroosiopilkut eivät estä laitteen käyttöä ja ne ovat aivan normaali ilmiö teräspinnoilla, joten niiden mahdollinen esiintyminen osien pinnoilla ei kuulu takuun piiriin.

Jos tuotteessa tai tuotteen osassa ilmenee vika takuuajana, ole yhteydessä suoraan grillin ostopaikkaan. Myyjä hoitaa kaikki takuukäsittelyt. Viallisen tai puuttuvan osan tilalle myyjä tai hänen edustaja lähettää uuden osan, mutta ei vastaa viallisen tai puuttuvan osan vaihdosta grilliin. Itse koottavissa grilleissä asiakas vastaa aina itse osan vaihtamisesta grilliin ohjeiden mukaan. Näiden ohjeiden noudattamatta jättämisen takia takuu raukeaa eikä käyttö vastaa tuotetodistusta.

Takuu ei ole voimassa, mikäli tuotetta käytetään kaupallisessa valmistus-, myynti- tai vuokraustarkoituksessa. Takuu ei

heikennä millään tavalla Suomessa voimassa olevaa kuluttajansuojalakia.

Seuraavat grillin osat kuluvat käytössä, joten niiden käytöstä johtuva kuluminen tai ruostuminen ei kuulu takuun piiriin.

- Valurauta- tai rosteriputkipolttimet
- Grillausriritilät ja -parilat
- Lämmitysriritilä
- Rasvapellit ja -kupit

Tiedustele tarvitsemaasi uutta osaa grillin ostopaikasta. Uusia osia grilleihin on saatavilla rajoitetusti.

Takuuasioiden käsittely

Jos tuotteessa tai tuotteen osassa ilmenee vikaa takuuajana tai osia puuttuu grilliä kasattaessa, ole yhteydessä suoraan grillin ostopaikkaan. Myyjä hoitaa kaikki takuukäsittelyt.

Ennen takuuvaatimusten esittämistä lue käyttöohje huolella läpi ja tarkista, että takuuvaatimus ei johdu käyttöohjeiden vastaisesta käytöstä tai huollon laiminlyönnistä.

Takuuasioissa seuraavat tiedot on toimitettava maahantuojalle:

- Grillin merkki ja mallinimi
- Reklamaation syy
- Viallisen osan osanumero osaluetelun mukaisesti
- Kopio ostokuitista tai selvitys ostopaikasta sekä ostopäivämäärä
- Kuluttajan nimi, puhelinnumero, katuosoite, postinumero

Yllämainitut tiedot tulee toimittaa reklamaation tai takuuvaatimuksen yhteydessä. Usein myös valokuvat asiasta auttavat reklamaation ja takuuasian nopeassa hoitamisessa. Ota reklamoidusta tuotteesta tai sen osasta/viasta 1-3 valokuvaa ja näytä niitä ostopaikassa reklamaation tekemisen yhteydessä.

Lue lisää: k-rauta.fi/asiakaspalvelu

VIANHAKUOPAS

| Ongelma | Mahdolliset syyt | Korjaustoimenpide |
|--|---|---|
| Poltin ei syty tulitikulla tai sytyttimellä | <ul style="list-style-type: none"> • Polttimen reiät ovat tukossa | <ul style="list-style-type: none"> • Puhdista tukokset |
| Polttimet eivät tuota tarpeeksi lämpöä | <ul style="list-style-type: none"> • Kaasupullon venttiili on kiinni • Polttimet eivät ole kunnolla kiinni grillin venttiileissä • Polttimen ilmanotto on tukossa • Kaasua on liian vähän tai se on lopussa • Paineensäädin ei ole kunnolla kiinni kaasupullossa • Kaasun tulo on estynyt | <ul style="list-style-type: none"> • Avaa kaasupullon venttiili • Varmista grillin polttimien kiinnitys venttiileihin • Puhdista tai vaihda poltin • Vaihda kaasupullo täyteen • Tarkista paineensäätimen kiinnitys kaasupulloon • Oikaise kaasuletku |
| Liekki savuavan keltainen | <ul style="list-style-type: none"> • Polttimen ilmanottoaukot tukossa • Paljon suolaa tai marinadia polttimien pinnalla | <ul style="list-style-type: none"> • Puhdista tukokset • Puhdista polttimet |
| Poltin sytty tulitikulla mutta ei sytyttimellä | <ul style="list-style-type: none"> • Huono johtimen kontakti • Rikkinäinen sytytin tai elektrodi • Huono maadoitus • Epäkuntoinen sytytin | <ul style="list-style-type: none"> • Tarkista, että liitokset ovat tiukalla • Varmista, että poltin ja sytytin on asennettu oikein • Vaihda sytytin |
| Liekki sammuilee | <ul style="list-style-type: none"> • Voimakas tuuli • Kaasu on vähissä | <ul style="list-style-type: none"> • Siirrä grilli tuulensuojaan • Vaihda kaasupullo |
| Liiaksi kuumuutta ylenmääräinen leimahtelu | <ul style="list-style-type: none"> • Runsasrasvainen ruoka • Rasvanpoisto grillistä on estynyt • Kypsennettävä tuote ei ole oikeassa kohdassa | <ul style="list-style-type: none"> • Poista rasvaisia kohtia ja pienennä polttimen tehoa • Puhdista rasvankehä ja polttimet • Sijoita kypsennettävä tuote oikein |
| Liekkejä tehonsäätökonsolin alla | <ul style="list-style-type: none"> • Tukoksia polttimissa • Kova tuuli | <ul style="list-style-type: none"> • Sulje kaasupullon hana välittömästi, anna grillin jäähtyä ja puhdista polttimet |
| Paineensäädin surisee | <ul style="list-style-type: none"> • Tämä ei ole vika tai vaaratilanne | <ul style="list-style-type: none"> • Ohimenevä tilanne johtuu korkeasta ulkoilman lämpötilasta ja täydestä kaasupullost |
| Epätäydellinen liekki | <ul style="list-style-type: none"> • Liekki palaa voimakkaan keltaisena | <ul style="list-style-type: none"> • Puhdista tai vaihda grillin poltin ja tarkista tukokset polttimissa |
| Liekki liian iso | <ul style="list-style-type: none"> • Käytössä on väärä paineensäädin | <ul style="list-style-type: none"> • Vaihda 29-30 mbar paineensäädin |

ALLMÄN RÅD

Läs alla anvisningar och råd innan ni börjar använda produkten. Följ noggrant montage, tändnings, skötsel och användnings råden. Du bör läsa och förstå speciellt alla säkerhets samt varningsråd före gasgrillen tas i bruk. Behandla alla metalldelar försiktigt så att du inte skadar dig. Följ råden steg för steg.

DENNA GRILL ÄR ENDAST FÖR UTMOMHUSBRUK. PÅ GRUND AV GRILLENS ÖPPNA KONSTRUKTION KAN DET RINNA ELLER STÄNKA FETT UTANFÖR GRILLEN, ANVÄND INTE GRILLEN NÄRA ELLER PÅ KÄNSLIGA YTOR. DET KAN RINNA FETT ELLER MARINAD UNDER GRILLEN, PÅ NEDRE HYLLAN ELLER I SKÅPET, FETT KAN OCKSÅ STÄNK RUNT GRILLEN. FETTRINNING OCH STÄNK ÄR NORMALT OCH DE HÖR INTE TILL GARANTIN. GRILLEN ÄR CE-MÄRKT OCH DEN ÄR GILTIG ENLIGT I KRAFT VARANDE FÖRFATTNING. MINSTA OMÄNDRING AV GRILLENS KONSTRUKTION ÄR FÖRBJUDET. UNDER UPPMONTERING AV GRILLEN FÅR INTE NÅGON DEL LÄMNAS BORT INTE HELLER LÄGGAS TILL.

GRILLENS VARNING OCH SÄKERHETS RÅD

1. Grillen är endast för utomhusbruk.
2. Stäng alltid gasflaskans ventil då grillen inte är i bruk.
3. Följ monteringsanvisningar, försummelse kan orsaka problem.
4. Grillen är het under användning, låt inte barn eller djur vistas i närheten av grillen.
5. Om ni känner gaslukt, stäng av gastillförseln omedelbart. Släck alla öppna lågor. Öppna grillhuvu och kontrollera möjliga läckage. Gör läckagetest enligt instruktioner. Spänn.

alla kopplingar när läckagetesten utförs. Om du inte hittar fel, kontakta auktoriserad service eller importören.

6. Flytta aldrig grillen då den är i användning eller när den är het.
7. Håll alltid det närliggande området runt grillen rent och fritt från lättantändligt material så som bensen eller andra lättantändliga vätskor, papper eller oljetrasor.
8. Använd aldrig tändstickor eller öppen låga när ni gör läckagetesten.
9. Använd inte grillen om där finns fel.
10. Lossa aldrig bort regulatören när grillen är i bruk.
11. Lämna aldrig grillen oövervakad när den är i bruk.
12. Låt inte barn använda grillen.
13. Grillen måste rengöras regelbundet. Skada inte brännarens öppningar eller reglagens munstycken.
14. Kom ihåg att denna grill är lämpad endast för utomhusbruk och får inte användas på båtar eller i husvagnar. Minimavstånd 1 m, helst mera, till närmaste närliggande del bakom och vid sidan av grillen.
15. Vi rekommenderar underhåll och rengöring av grillen minst en gång per år. Om du inte är säker hur man gör det, kontakta auktoriserad service.
16. Endast auktoriserad service får justera grillens ventiler och munstycken.
17. Gör läckagetesten alltid när du tar grillen i bruk efter lång förvarning t.ex. på våren, eller när du har bytt gasflaskan.
18. Grillens lock måste alltid vara öppet när du tänder den.
19. Använd alltid skyddshandskar vid hantering av grillens varma delar och långskaftade grillnings tillbehör.
20. Förbered för möjlig olycka så att du vet var försthjälpsmedel och släckare är och att du vet hur man använder dem.

TEKNISK INFORMATION

Model: Cello Argon 4 (502685859)

Effekt, huvudbrännare: 12kW

Gasförbruk: 872g/h

Brukstryck: 30 mbar

Bränsle: Butan/Propan

Klass: I3 B/P

Munstycke, huvudbrännare: 0.86mm

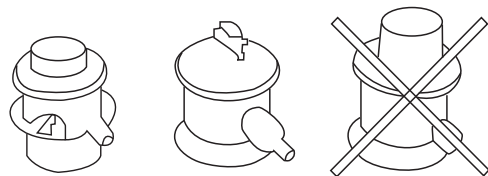
CE 0063-25

ID. KOD: 0063CN7292

FÖRE GRILLENS ANVÄNDNING

Gasflaska, gasslang och regulator

Grillen levereras utan gasslang, lågtrycksregulator eller slangklämmaren. Dom säljs separat. Skaffa en gasflaska som är mellan 5 kg och 11 kg, lågtrycksregulator med fast tryck 30 mbar, gasslang samt 2 st slangklämmaren. Obs! Regulator bör vara ojusterbar och den måste vara märkt 30 mbar.



På bilden finns det 30 mbar lågtrycksregulatorer, som är rätt val till gasgrillen samt till höger en högtrycksregulator som får användas endast till gasverktyg. Använd inte den till gasgrillar.

Använd endast en 10 mm och max 1,2 m lång gasslang enligt bestämmelserna.

Använd en lågtrycksregulator enligt EN16129-standard och en gasslang enligt EN16436 med gasapparaten.

Slangen måste uppfylla lokala standarder. Längden på slangen får vara högst 1,2 meter och inre diametern 10 mm.

Kontrollera gasslangen regelbundet. Byt ut en sliten eller söndrig slang till en ny. Se till att inte slangen rör grillens heta ytor.

Kontrollera att gasslangen inte har tvinn som hindrar gasflödet i slangen.

Hyllan under grillen är endast för gasflaskans förvaring. När du tar grillen i bruk, ta gasflaskan bort från hyllan. Det är för säkerhets skull.

Gasflaskas montering

1. Kontrollera att alla grillens justeringsknoppar är stängda.
2. Montera gasslangens andra ända till lågtrycksregulators slangnippel och andra ändan till grillens slangnippel. Använd slangklämmor.
3. Anslut lågtrycksregulatorn på gasflaskan. Kontrollera fästning genom att lyfta gasflaskan med regulatorn.

4. Öppna gasflödet från lågtrycksregulatorn sakta, så att trycket stabiliseras.

Gasflaskans lossning

1. Stäng gasflödet från lågtrycksregulatorn.
2. Kontrollera att alla justeringsknoppar är stängda (OFF).
3. Lossa lågtrycksregulatorn från gasflaska.

Byt inte gasflaska i närhet av öppen låga.

Grillens inkörande

Innan grillens första användning, gör komplett läckagetest enligt råden. Tänd grillen och låt grillen stå på högsta effekt (MAX) i 5 minuter med öppet grilllock. Stäng grilllocket och låt grillen stå på högsta effekt ännu ytterligare några minuter. Låt grillen svalna ungefär 15 minuter. Rengör grillgallret och platta med grillborste. Pensla dem med matolja. Nu är grillen färdig för användning.

Läckagetest

Genomför läckagetestet:

- Före ni använder grillen första gången.
- Varje gång ni bytt gasflaska eller någon annan komponent.
- Minst en gång per år, helst i början av grillsäsongen.

Läckagetesten skall genomföras utomhus, utom räckhåll för värme, öppna lågor eller lättantändliga vätskor. Rök inte under testen. Använd en 50/50 tvålvattensblandning. Använd aldrig tändstickor eller öppen låga.

Följande delar skall kontrolleras

- Gasflaskans ventil och dess gänga.
- Gasflaskans fogar.
- Regulatorn och dess tätning.
- Alla slangkopplingar, även till eventuell sidobrännare.

Gör läckagetesten enligt följande råd

- Använd en gasflaska som nyligen är fylld och kontrollerad, se till att alla reglage är stängda (OFF) på grillen.
- Öppna gasflasksventilen.
- Sprid tvålvattenslösningen på alla i punkt 16.6 nämnda komponenter och kopplingar.

- Titta noggrant efter bubblor, vilka är en indikation på läckage.
- Spänn de kopplingar var bubblorna uppstod vid. Upprepad läckagetest visar att läckaget är korrigerat (stäng av gasflaskventilen då ni åtgärdar läckagen).
- Stäng regulatören och kontrollera att alla justeringsknoppar är stängda.

Använd inte grillen ifall läckaget inte kan åtgärdas. Stäng av gasflaskventilen, lossa gasflaskan och tag kontakt med importören.

GRILLENS ANVÄNDNING

Tändning med justeringsknopp integrerad piezo (OBS! Tändning finns i alla justeringsknopp)

1. Öppna alltid grillocket eller sidokokarens lock innan tändning.
2. Öppna gasflödet från gasflaskans ventil och lågtrycksregulator.
3. Tryck justeringsknopp in och vrid till stora lågas bild, samtidigt hörs piezo- tändarens klick. Efter klicket, håll justeringsknopp inne 2-3 sekunder, hjälplågan tänds grillens brännare.
4. Upprepa punkt 3 så att brännaren tänds.
5. Justera lågan med att vrida justeringsknoppen mellan stor och liten effekt.
6. När brännaren är tänd, kan följande brännare tändas med att vrida motsvarande justeringsknopp till stora lågans bild.

Manuell tändning, om integrerade piezon inte fungerar

1. Öppna alltid grillocket eller sidokokarens lock innan tändning.
2. Öppna gasflödet från gasflaskans lågtrycksregulator.
3. Tänd först den brännare som syns under gallret. Tryck justeringsknoppen in och vrid till stora lågans bild.
4. Samtidigt för tändstickan bredvid brännaren. Kontrollera att brännaren tänds genom att titta genom gallret och värmespridarplåten.

Varning

Luta aldrig över grillen när du tänder eller använder den.

Ifall brännaren inte tänds efter tre försök under 10 sekunder, vrid justeringsknoppen till stängd position (OFF). Stäng gasflaskans ventil. Öppna grillens lock och vänta minst 5 minuter att gasen skingrats. Efter detta kan du åter pröva att tända grillen.

Grillens användning

1. Använd aldrig mera än en brännare på Max effekt när du tillreder mat med grillens lock stängt. Oftast räcker det med en brännares effekt att tillreda mat.
2. Använd aldrig mera än två brännare på Max effekt, hettan kan skada grillens delar.
3. Lämna inte en tänd grill utan uppsyn.

Lågan backas ut från brännaren

Under hård vind är det möjligt att lågan backas ut från brännaren. Då brinner lågan under kontrollpanelen. Samtidigt det hörs ett hårt brus. Stäng grillen omedelbart. Annars kan grillens ventil, kontrollpanel och justeringsknoppar skadas. Dessa skador hör inte till garantin.

Avstängning

1. Stäng gasflödet från gasflaskan.
2. När alla lågor har slocknat, vrid alla justeringssknoppar till OFF-position. Kontrollera ännu att gasflaskans ventil är avstängd.
3. Lossa lågtryckregulatorn från gasflaskan.

Värmespridarplåtar

Det finns värmespridarplåtar på brännarna. De sprider värmen jämnt till grillytan, förhindrar att heta lågan tar direkt kontakt med maten och skyddar brännarna från fett, saltiga vätskor samt marinader som kan droppa från maten.

Lavasten används inte.

Värmespridarplåtarna läggs på brännaren som är under grillgallret. Under grillplattan används inte värmespridarplåtar. Därför är mängden av värmespridarplåtar inte samma som mängden av brännaren.

Föreberedelser

Innan ni börjar grilla skall grillen värmas upp i 3-5 minuter på högsta effekt med locket stängt. Om maten ni skall grilla kräver lägre temperatur ställ då justeringsknopparna på önskad effekt före ni lägger på maten. Använd aldrig alla brännare med Max effekten när ni grillar, då är grillen för het att laga mat i och ni förbrukar onödigt gas. Ofta räcker det att använda två brännare och också dessa med mindre effekten. Grill erfarenheten hjälper.

Grilltider

Detta påverkas av många faktorer och erfarenhet av grillning kommer att hjälpa er. Maten, dess tjocklek och till och med vädret påverkar grilltiden. En varm dag krävs lägre effekt, medan en högre effekt är bättre under en kall dag. Bästa resultatet får ni genom att pröva olika möjligheter.

Uppflamningar

Uppflamningar orsakas av för hög temperatur och medför att fett rinner från maten och det kan orsaka fettbrand. Små uppfamningar är normala och bidrar med rök som ger maten smak och arom. För att

hålla uppfamningarna på normal nivå, vidta följande åtgärder:

- Låt marinaden rinna av ordentligt och skär bort överflödigt fett från köttet/steken.
- Grilla höna och svin i lägre temperatur.
- Rengör grillen med jämna mellanrum.
- Se till att hålet för överblivet fett inte är tilltäppt och att fettplåten inte är full. Rengör fettplåten med jämna mellanrum, helst efter varje användning.
- Grilla med nedfällt grillock och lägsta möjliga effektiva temperatur.

Med grillocket i nerfällt läge kommer ni att hålla en mera konstant temperatur i grillen och sparar gas på så sätt. Maten torkar inte heller när locket är fast pga. att när flytgas brinner bildas det vattenånga.

Marinader

Maten marineras för kryddning. Inne i grillen kan marinaden orsaka att maten fastnar fast i grillgallret och plattan, marinaden kan rinna under grillen och den kan ta eld.

När marinerings är gjord:

- Torka bort onödig marinad från det du skall grilla.
- Håll inte marinad över maten du grillar.
- Pensla inte över maten du grillar den färdiga marinaden var t.ex. broilern eller grisen har förvarats rå. De bakterier som finns från det råa köttet finns i marinaden.
- Om du vill ha mera smak eller glaserad yta på maten, kan du i slutet av grillningen lägga på en kryddsås som du själv tillrätt,

Underhåll

Er grill kommer att hålla många år om ni genomför följande rengöring och underhåll efter varje bruk när grillen har svalnat.

Grillens grillgaller och grillplatta

Om det fastnat mat på gallret och plattan, följ dessa råd:

- Torka bort fett och marinad med hushållspapper. Var noggrann för om det blir något kvar kan de orsaka fettbrand i grillen.
- Lägg gallret och platta in i grillen och tänd grillens alla brännaren och stäng locket.
- Använd grillen på Max-effekten i högst 5 minuter så att allt fett och marinad är bränt.
- Stäng grillen och öppna locket. Låt grillen svalna ungefär 15 minuter.
- Skrubba av med en mjuk mässingsborste, stålborste är för hård och söndrar ytan. **Skador som stålborste orsakar, tillhör inte till garantin.**
- Efter rengöring pensla grillgallret med matolja. Nu är grillen färdig för bruk.

Grillgallrets och – plattans slitage vid normalt bruk eller rostning som är följd av underhålls försummelse eller fel förvarning, tillhör inte till garanti.

Grillens övriga delar

Grillens ståldelar skall putsas följande:

- Alla ståldelar skall putsas med varmt vatten och tvålblandning med en fuktig trasa.
- Efteråt torkas alla putsade ytor torra.
- Kontrollpanel skall putsas endast med en fuktig trasa. Skrubba inte. Använd inte putsmedel. Putsmedel kan ta bort all text och märkningar från kontrollpanelen.
- Alla ståldelar som grill locket och kontrollpanelen måste behandlas med allmänt stålputsningsmedel till exempel CRC 5-56 minst tre gånger per år. Använd medlet enligt dess anvisningar. Detta motverkar smuts och rostfläckar på ytorna. Använd skötselmedel enligt deras bruksanvisning, men pröva först på ett sådant ställe som inte direkt syns. Detta för att kontrollera att medlet anpassar sig för stålytorna.
- Använd stålputsningsmedel endast på grillens yttre ytor.

Grillens fettplåt skall putsas följande:

- Under grillen finns en fettplåt som skall tömmas när där finns fett och marinad. Fett kan börja brinna.
- Rengör fettplåten genom att tvätta den i diskho. Fettplåtens rengöring kan underlättas genom att lägga bakplåtspapper på den och lägg aluminiumfolie på bakplåtspappret. Lägg några stenar att hålla pappret på plats. När fettplåten måste tömmas tas foliet och bakplåtspappret bort och slängs. Lägg inte sand på fettplåten.

Obs!

Fett och marinad kan börja brinna. Skador som är resultat av fettbrand, tillhör inte till garanti.

Grillens värmespridarplåt skall putsas följande:

- När grillens galler och platta är putsade enligt råd, ta dem bort från deras plats.
- Skrubba av med en mjuk mässingsborste.
- Värmespridarplåtarna kan även tvättas i diskho.
- Efter rengöringen, lägg värmespridarplåtarna på deras plats.
- Lägg galler och plattan på deras plats.

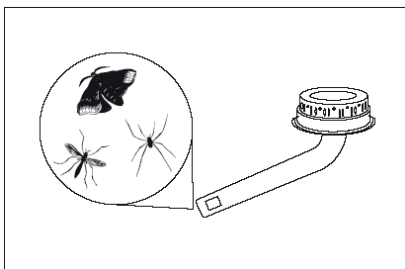
Värmespridarplåts slitage vid normalt bruk eller rostning som är följd av underhålls försummelse eller fel förvarning, tillhör inte till garanti.

Brännare

Grillens brännaren och ventilers kondition måste kontrolleras regelbundet. Åtminstone två gånger per år är det viktigt att montera bort brännarna och kontrollera deras kondition. Kontrollera alla hål i brännaren och rengör möjliga förstoppningar. Kolla samtidigt att ventilens munstycke är rent.

Under transport, mellan grillanvändning och förvaring är det möjligt att små insekter, så som spindlar, kommer in i blandarrören. Där bygger de nät, som kan blockera gasflödet genom blandarröret. Detta märks som en gul och sotig låga eller förhindrar brännaren att tändas. Det kan

även orsaka att gasen börjar brinna utanför brännaren, vilket kan medföra stora skador på grillen.



Ifall detta inträffar, stäng av gasventilerna till "OFF" läge och vänta tills grillen är sval. När grillen har svalnat, lösgör brännaren och rengör blandarröret med en borste eller piprensare. Montera tillbaka brännaren enligt råd och försäkra att blandarröret är rätt över ventilen med munstyckena enligt råden. Var noggrann med att blandarröret är korrekt påträdna på ventilen.

Om gasen har brunnit utanför brännaren, kontrollera alla grillens delar före ny tändning. Om delar är skadade kontakta importören.

Rengöring av blandarrör skall ske med jämna mellanrum, speciellt i början av varje grillsäsong.

Skador som är resultat av blockerat blandarrör eller blockerat ventils munstycke tillhör inte till garanti.

Grillens brännare skall putsas följande:

- Ta bort galler, platta och värmespridarplåt
- Lossa skruven som finns i brännarens bakända och ta bort brännaren.
- Rengör alla hål i brännaren med järntråd. Om brännaren är i dåligt skick eller rostig, byt brännaren till ny.

Om brännaren är i gott skick montera den tillbaka i rätt läge.

- Var noggrann med att blandarröret är korrekt påträtt på ventilen.
- Fäst brännaren till grill lådan med skruv.

- Lägga värmespridarplåt, galler och platta på deras plats.

Brännarens slitage vid normalt bruk eller rostning som är följd av underhålls försummelse eller fel förvarning, tillhör inte till garanti.

Grillens förvaring

När grillsäsongen är över och det är dags för vinterförvaring, gör följande:

- Tvätta grillen noggrant. Tvätta grillens delar med diskborste och tvålblandning. Tvätta grill lådan och locket också från insidan.
- Tänd grillen och låt det brinna ungefär 20 minuter att grillen torkas noggrann.
- Låt grillen svalna.
- Borsta gallret och plattan med grillborste.
- Smörj in dem med matolja.
- Ta bort brännaren enligt råd.
- Linda brännaren, gallret, plattan, värmegaller och värmespridarplåtar in i tidningspapper, och förvara dem torrt inomhus.
- Ta bort regulatören från gasflaskan.

Om grillen förvaras utomhus, skaffa ordentligt grillskydd, som säljs separat. Ett riktigt grillskydd ska nå ända ner till underlaget och hållas på plats också i blåsigt väder. Se till att luft kan cirkulera under grillskyddet. Grillen skall helst förvaras under tak så att den inte blir utsatt för regn eller snö. Se till att snön som faller från taket, kan inte skada grillen. Skador som är resultat av fallande snön eller blåsigt väder tillhör inte till garanti.

Grillens delar som måste förvaras inomhus

Grillens följande delar måste förvaras inomhus:

- Gjutjärngaller och – platta.
- Värmegaller
- Brännare
- Värmespridarplåtar

Gasflaskas förvarning

När grillen inte är i användning skall ventilen på gasflaskan vara stängd.

Gasflaskan får inte förvaras i garaget eller varma utrymmen. Förvara gasflaskan i ett område där luften cirkulerar bra. Gasflaskan får inte förvaras i garaget, på vinden eller i närheten av värmeelement.

GARANTI OCH HANDLÄGGNING AV GARANTI

Garanti

För denna grill ges två års garanti på tillverknings och materialfel. Spara kvittot, kopiera det och nita ihop det med bruksanvisningen så gäller det som garantibevis. Ifall du häver till garantin skall inköpsplats och – tid anges.

Garantin gäller inte fel som uppstått genom normalt slitage eller att grillen blivit rostig, man har använt grillen fel eller försummat att sköte underhållet av den.

Att färgförändringar, fläckar i stålytorna förekommer eller de blir mörkare är normalt vid användning. I fuktig och salthaltig miljö kan stålytorna få rostfläckar varför det är viktigt att använda rostskyddsmedel. Om fläckar uppstår trots detta går det bra att använda grillen eftersom rostfläckar är normalt på stålytor och omfattas därför inte av garantin.

Om produkten eller dess delar visar sig vara defekta under garantiperioden ska du kontakta importören som sköter alla garantifall. Importören byter ut en defekt del eller en del som saknas eller skickar en ny, men svarar inte för byte av delen. Garantin gäller inte om dessa instruktioner försummas.

Garantin hävs ifall denna produkt används för kommersiellt ändamål. Garantin gäller inte heller om grillen har ändrats eller om den inte har använts enligt instruktionerna i denna manual.

Garantin försämrar inte konsumentskyddslagen som gäller i Finland.

Följande delar slits vid normalt bruk, garantin gäller därför inte för dessa.

- Gjutjärnsbrännare och rostfritt stål rörbrännare
- Grillgallret och grillplatta
- Värmegallret
- Värmespridarplåt

Handläggning av garanti

Om produkten eller delar av denna visar sig vara defekta under garantitiden eller de saknas vid mon- taget ska du kontakta importören direkt. Importören sköter alla garantifall.

Före garantikravet, läs igenom bruksanvisningen. Garantin gäller inte om dessa bruksanvisningar försummas.

Följande uppgifter skall lämnas till importören:

- Grillmärke och försäljnings namn
- Orsak till reklamation
- Artikelnummer på defekt del enligt dellistan
- Kopia av kvittot eller uppgifter om inköpsställe och inköpsdag
- Namn, telefonnummer, adress och postnummer

Handläggning av garanti i Sverige

Om produkten eller delar av denna visar sig vara defekta under garantitiden eller de saknas vid mon- taget ska du kontakta köpplats.

Före garantikravet, läs igenom bruksanvisningen. Garantin gäller inte om dessa bruksanvisningar försummas.

Följande uppgifter skall lämnas till köpplats:

- Grillmärke och försäljnings namn
- Orsak till reklamation
- Artikelnummer på defekt del enligt dellistan
- Kopia av kvittot eller uppgifter om inköpsställe och inköpsdag
- Namn, telefonnummer, adress och postnummer

FELSÖKNINGSTABEL

| Problem | Möjliga orsaker | Åtgärder |
|--|---|---|
| Brännaren tändes inte | <ul style="list-style-type: none"> • Blockerat brännarrhål | <ul style="list-style-type: none"> • Rengör brännare |
| Brännarna är inte tillräckligt heta | <ul style="list-style-type: none"> • Gasflaskans ventil stängd | <ul style="list-style-type: none"> • Öppna gasflaskans ventil |
| | <ul style="list-style-type: none"> • Brännarna är inte korrekt installerat | <ul style="list-style-type: none"> • Kontrollera brännarens installation |
| | <ul style="list-style-type: none"> • Brännarens blandarrör är tilltäppt | <ul style="list-style-type: none"> • Rengör eller byt ut brännaren |
| | <ul style="list-style-type: none"> • Låg gasnivå eller den är nästan slut | <ul style="list-style-type: none"> • Byt gasflaska |
| | <ul style="list-style-type: none"> • Regulator är inte ordentligt påsatt | <ul style="list-style-type: none"> • Kontrollera regulatorn |
| Gula lågor från brännaren | <ul style="list-style-type: none"> • Delvist tilltäppt blandarrör | <ul style="list-style-type: none"> • Rengör brännaren |
| | <ul style="list-style-type: none"> • Salt eller marinad i brännaren | <ul style="list-style-type: none"> • Rengör brännaren |
| Brännaren tänds med tändsticka men inte med grillens tändare | <ul style="list-style-type: none"> • Dålig lednings kontakt | <ul style="list-style-type: none"> • Kontrollera kopplingarna |
| | <ul style="list-style-type: none"> • Trasig elektrod • Dålig jordning | <ul style="list-style-type: none"> • Se till att samlarboxen, brännaren, batteriet, piezo-tändaren är korrekt installerade |
| | <ul style="list-style-type: none"> • Trasig tändare | <ul style="list-style-type: none"> • Byt tändaren |
| Lågan blåser ut | <ul style="list-style-type: none"> • Hård vind | <ul style="list-style-type: none"> • Placera grillen i mindre vind |
| | <ul style="list-style-type: none"> • Låg gasnivå | <ul style="list-style-type: none"> • Byt gasflaska |
| För hög temperatur eller uppflamningar | <ul style="list-style-type: none"> • För mycket fett i maten | <ul style="list-style-type: none"> • Skölj av köttet och justera brännarens effekt |
| | <ul style="list-style-type: none"> • Fullt fettavlopp | <ul style="list-style-type: none"> • Töm fettkoppen och rengör brännarna |
| | <ul style="list-style-type: none"> • Felplacerad grillprodukt | <ul style="list-style-type: none"> • Placera grillprodukten på nytt |
| Lågor under kontrollpanel | <ul style="list-style-type: none"> • Tilltäpta brännare • Hård vind | <ul style="list-style-type: none"> • Stäng av gasflaskas ventil omedelbart. Låt grillen svalna och rengör brännarna. |
| Regulatorn surrar | <ul style="list-style-type: none"> • Det är inget fel eller farlig situation | <ul style="list-style-type: none"> • Tillfällig störning som beror på hög utomhustemperatur i kombination med full gasflaska |
| Oregelbunden låga | <ul style="list-style-type: none"> • Tilltäpta brännaren | <ul style="list-style-type: none"> • Rengör eller byt ut brännaren |

NO

ALMENNE RÅD

Les alle anvisninger og råd før du begynner å bruke produktet. Følg nøye montering, tenning og bruksanvisningene. Behandle alle metalleder forsiktig. Følg rådene trinn for trinn. Du skal lese og forstå alle sikkerhetsråd og advarsler før gassgrillen tas i bruk. Behandle alle metalleder forsiktig slik at du ikke skader deg. Følg rådene steg for steg.

DENNE GRILLEN ER KUN FOR UTENDØRS BRUK. PÅ GRUNN AV GRILLENS ÅPNE KONSTRUKSJON KAN DET RENNE ELLER SPRUTE FETT UTENFOR GRILLEN, BRUK IKKE GRILLEN NÆRE ELLER PÅ ØMTÅLIGE FLATER. DET KAN RENNE FETT ELLER MARINADE UNDER GRILLEN, PÅ NEDRE HYLLE, ELLER I SKAPET. FETT KAN OGSÅ SPRUTE RUNDT GRILLEN. FETTRENNING OG SPRUT ER NORMALT, OG DEKKES IKKE AV GARANTIEN. GRILLEN ER CE-MERKET OG ER PRODUSERT I HENHOLD TIL GJELDENDE BESTEMMELSER. DEN MINSTE ENDRING AV GRILLENS KONSTRUKSJON ER FORBUDT. UNDER OPPMONTERING AV GRILLEN, MÅ IKKE NOEN DELER UTELATES ELLER LEGGES TIL.

ADVARSLER OG SIKKERHETS RÅD

1. Grillen er kun for utendørs bruk.
2. Steng alltid gassflaskens ventil når grillen ikke er i bruk.
3. Følg monteringsanvisningene. Unnlattelse kan forårsake problemer.
4. Grillen er varm under bruk, la ikke barn eller dyr leke i nærheten av grillen.
5. Hvis du kjenner gassslukt, steng gasstilførselen umiddelbart. Slukk alle åpne flammer. Åpne grilllokket og kontroller mulige lekkasjer. Foreta lekkasjetest i henhold til instruksjonene. Trekk til alle koblinger når lekkasjetesten utføres. Hvis du ikke finner feil, kontakt autorisert serviceverksted eller forhandleren.

6. Flytt aldri grillen når den er i bruk eller er varm.
7. Hold alltid det nærliggende området rundt grillen rent og fritt for lettantennelige materialer som bensin eller andre lettantennelige væsker, papir eller oljefiller.
8. Benytt aldri fyrstikker eller åpen flamme når du foretar lekkasjetesten.
9. Bruk ikke grillen hvis det er feil ved den.
10. Koble aldri av regulatoren på gassflasken når grillen er i bruk.
11. La aldri grillen stå ubevoktet når den er i bruk.
12. La ikke barn bruke grillen.
13. Grillen må rengjøres regelmessig. Unngå å skade brennerens åpninger eller gassventilenes dyser.
14. Husk at denne grillen kun er beregnet for utendørs bruk og må ikke benyttes på båter eller i campingvogner. Minimumsavstand skal være minst 1m til nærmeste del bak og ved siden av grillen.
15. Vi anbefaler vedlikehold og rengjøring av grillen minst en gang pr. år. Hvis du ikke er sikker på hvordan man gjør det, ta kontakt med et autorisert serviceverksted.
16. Kun et autorisert serviceverksted får justere grillens ventiler og dyser.
17. Foreta alltid en lekkasjetest når du tar grillen i bruk etter lang tids lagring, f.eks. på våren, eller når du har skiftet gassflaske.
18. Grillens lokk må alltid være åpent når du tenner den.
19. Benytt alltid beskyttelseshansker ved håndtering av grillens varme deler, samt bruk langskaffet grilltilbehør.
20. Forbered deg på mulige ulykker slik at du vet hvor førstehjelpsaker og brannslukker er, og at du vet hvordan man bruker de.

TEKNISK INFORMASJON

Modell: Cello Argon 4 (502685859)
Effekt, grilldele: 12kW
Gassforbruk: Max 872g/h
Brukstrykk: 30 mbar
Brensel: Butan/Propan
Klasse: I3B/P
Dyse, hovedbrennere: 0.86mm

 0063-25

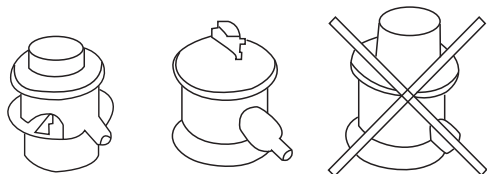
ID. KOD:0063CN7292

CELLO

FØR DU BRUKER GRILLEN

Gassflaske, gasslange og regulator

Skaff en gassflaske som er mellom 5 kg og 11 kg, lavtrykksregulator med fast trykk 30 mbar, gasslange, samt 2 stk. slangeklemmer. Obs! Regulatoren skal ikke være justerbar og den skal være merket 30 mbar.



På bildet vises det to lavtrykksregulatorer 30 mbar, som er riktig valg til gassgrillen samt en høytrykksregulator som kun skal benyttes til gassverktøy. Bruk ikke denne til gassgriller.

Benytt kun en 10 mm og maks 1,5 m lang gasslange i henhold til bestemmelsene. Kontroller gasslangen jevnlig. Bytt ut en slitt eller ødelagt slange med en ny. Pass på at slangen ikke berører grillens varme overflater.

Bruk en lavtrykksregulator i henhold til EN16129-standard og en gasslange i henhold til EN16436 med gassapparatet. Slangen må være i samsvar med nasjonale forskrifter og må ikke overstige 1,5 meter i lengde og 10 mm i diameter.

Pass på at slangen ikke er tvinnet eller har knekker som hindrer gasstrømmen.

Hyllen under grillen er kun for lagring av flasken. Når du tar grillen i bruk, ta gassflasken bort fra hyllen og sett den ved siden av grillen. Dette er av sikkerhetsmessige grunner.

Gassflaskens montering

1. Kontroller at alle grillens justeringsknapper er stengt (OFF).

2. Monter gasslangens ene tilkobling til lavtrykksregulatorens slangenippel og den andre tilkoblingen til grillens slangenippel. Benytt slangeklemmer (selges separat).

3. Koble lavtrykksregulatoren på gassflasken ved å løfte opp den sorte kraven, for så å trykke den ned på plass. Kontroller innfestingen ved å løfte gassflasken med regulatoren.

4. Åpne gassflyten fra lavtrykksregulatoren sakte, slik at trykket stabiliseres.

Gasflaskens frigjøring

1. Steng gassflaskens ventil.
2. Kontroller at alle justeringsknapper er stengt (OFF).
3. Koble lavtrykksregulatoren av gassflasken ved å trekke opp den sorte kraven.

Bytt ikke gassflasken i nærheten av åpen flamme. Kontroller alltid alle gasskoblinger ved å forta gasslekkasjetest etter flaskebytte.

Før første gangs bruk

Før du begynner å grille, foreta komplett lekkasjetest, tenn grillen og la grillen stå på maks effekt (MAX) i 5 minutter med åpent grilllokk. Steng grilllokket og la grillen stå på høyeste effekt i ytterligere noen minutter. La grillen stå i 15 minutter til den er kald. Rengjør grillristen og grillplaten med en grillbørste. Pensle de deretter med matolje. Nå er grillen klar til bruk.

Lekkasjetest

Gjennomfør lekkasjetesten:

- Før du bruker grillen første gang.
- Hver gang du bytter gassflasken eller noen annen komponent i gasssystemet.
- Minst en gang pr. år, helst i begynnelsen av grillsesongen.

Lekkasjetesten skal gjennomføres ute uten varmekilder tilstede, åpne flammer eller lettantennelig væsker. Røyk ikke under testen. Benytt en 50/50 % såpe/vannblanding, eller en lekkasjespray. Benytt aldri fyrstikker eller åpen flamme for å gjennomføre lekkasjetesten.

Følgende deler skal kontrolleres

- Gassflaskens ventil og pakning mot regulator.
- Regulatoren og dens tetning.
- Alle slangekoblinger, også til en eventuell sidebrenner.
- Benytt en gassflaske som nylig er fylt og kontrollert. Påse at alle grillens brytere er stengt. (OFF) på grillen.
- Åpne gassflaskeventilen.
- Pensle på såpe/vannløsningen/lekkasjesprayen på alle ovennevnte komponenter og koblinger.
- Se nøye etter om det bobler, noe som er en indikasjon på at det er en lekkasje.
- Trekk etter de koblingene som boblene kom ved. Gjentatt lekkasjetest viser at lekkasjen er stoppet (Steng regulatoren mens du utbedrer lekkasjen).

Bruk ikke grillen hvis du ikke greier å utbedre lekkasjen. Steng flaskeventilen og frigjør regulatoren fra flasken og ta kontakt med autorisert service eller din forhandler.

BRUK AV GRILLEN

Tenning med bryterens integrerte piezotenner. (OBS! Alle bryterne har egne tennere)

1. Åpne alltid grilllokket og sidebrennerens lokk før tenning.
2. Åpne ventilen på lavtrykkregulatoren.
3. Trykk bryteren inn og vri mot flammesymbolet, du vil høre et klikk fra piezoteneren. Etter klikket holdes bryteren i 2-3 sekunder. Flammen tenner hele grillens brenner.
4. Gjenta punkt 3 slik at brenneren tenner.
5. Juster effekten ved å vri bryteren mellom stor og liten effekt.
6. Når brenneren er tent, kan resterende brenner tennes ved å vri tilhørende brytere til bilde av den store flammen.

Manuell tenning om ikke den integrerte piezoteneren fungerer

1. Åpne alltid lokket og sidebrennerens lokk før tenning.
2. Åpne ventilen til lavtrykksregulatoren på gassflasken.

3. Tenn først brenneren som er synlig under grillristen. Trykk inn bryteren og vri til det store flammesymbolet.

4. Samtidig fører du en fyrstikk inntil brenneren. Kontroller at brenneren tennes ved ved å se gjennom grillristen og varmfordelingsplaten.

Hvis brenneren fortsatt ikke tenner, les avsnittet feilsøking.

Advarsel

Len deg aldri over grillen når du tenner eller bruker den.

Hvis brenneren ikke tenner etter tre forsøk i løpet av 10 sekunder, vri bryteren til stengt posisjon (OFF). Steng gassflaskens ventil. Åpne grillens lokk og vent minst 5 minutter til gassen er ventilert bort. Etter dette kan du prøve å tenne grillen igjen.

OBS! Sidobord er konstruert for en maks belastning på 5 kg. Overstig ikke vektbegrensningen.

Bruk av grillen

1. Benytt aldri mer enn en brenner på Maks effekt når du steker mat med grillens lokk stengt. Oftest er det tilstrekkelig med en brenners effekt for å tilberede mat.
2. Benytt aldri mer enn to brennere på Maks effekt, fordi varmen kan skade grillens deler.
3. Hvis grillen har sidebrenner, er den dimensjonert for å tåle en 3 L kjeles vekt, og bruk av større kjeler er ikke anbefalt.
4. Forlat aldri en tent grill uten tilsyn.

Flammen slår tilbake til ventilen

Ved sterk vind kan flammen slå tilbake til ventilen. Da brenner flammen under kontrollpanelet. Det høres kraftig sus/fresing.

Steng av grillen umiddelbart ellers kan grillens ventil, bryterpanel og brytere skades.

Denne typen skader dekkes ikke av garantien.

Avstenging

1. Steng gassflaskens ventil.
2. Når alle flammer har slukket, vri alle bryterne til "OFF"-posisjon. Kontroller igjen at gassflaskens ventil er stengt.
3. Ta lavtryksregulatoren av gassflasken.

Varmefordelingsplater

Det ligger varmfordelingsplater over grillens brennere. Disse sprer varmen jevnt til grillflaten, hindrer direkte kontakt mellom flammer og mat og beskytter brennerne fra fett, saltholdige væsker og marinader.

Lavastein brukes ikke.

Varmefordelingsplatene legges over brennerne som er under grillristene. Under grillplaten brukes det ikke varmfordelingsplater. Derfor er det ikke like mange varmfordelingsplater som brennere.

Forberedelser

Før du begynner å grille, skal grillen varmes opp i 3-5 minutter på høyeste effekt med lokket stengt. Hvis maten du skal grille krever en lavere temperatur, still justeringsknappene på ønsket effekt før du legger på maten. Benytt aldri alle brennerne på Maks effekt når du griller. Grillen blir for varm å lage mat på, du forbruker unødig mye gass, og du kan skade grillen. Ofte er det tilstrekkelig å benytte to brennere med lavere effekt. Dine grillerfaringer vil gi deg kunnskap om dette etter hvert.

Grilltider

Dette påvirkes av mange faktorer og dine grillerfaringer kommer til å hjelpe deg. Maten, tykkelsen og til og med været påvirker grilltiden. En varm dag krever lavere effekt, mens en høyere effekt er bedre på en kald dag. Det beste resultatet får du ved å prøve ulike muligheter.

Oppflammer

Oppflammer forårsakes av for høy temperatur og medfører at fett renner fra maten og kan forårsake fettbrann. Små oppflammer er normalt og bidrar med røyk som gir maten smak og aroma. For å

holde oppflammerne på normalt nivå, følg følgende anbefalinger:

- La marinaden renne godt av og skjær bort overflødig fett fra kjøttet/steken.
- Grill kylling og svin med lavere temperatur.
- Rengjør grillen med jevne mellomrom.
- Påse at hullet for fettavrenning ikke er tett og at fettkoppen ikke er full. Rengjør fettkoppen med jevne mellomrom, helst etter hver bruk.
- Grill med lukket grilllokk og med den lavest mulige effektive temperatur.

Med grilllokket i stengt posisjon kommer du til å holde en mer konstant temperatur i grillen og sparer gass på denne måten. Maten tørker heller ikke når lokket er stengt fordi når propangassen brenner dannes det vandamp som bidrar til saftigere grillresultat.

Marinader

Maten marineres før den legges på grillen. Marinaden kan forårsake at maten fester seg på risten og grillplaten. Den kan også renne ned under grillen å ta fyr.

Når marineringen er klar:

- Tørk bort overflødig marinade fra kjøttet.
- Hell ikke marinade på mens du griller.
- Ikke bruk den ferdige marinaden som svin eller kylling har ligget i. Det er bakterier fra det rå kjøttet.
- Hvis du vil ha mer smak eller en glasering på utsiden av det du griller, så kan du legge på en egen kryddersaus som du lager selv.

Vedlikehold

Din grill kommer til å vare i mange år hvis du gjennomfører følgende etter hver gangs grilling når grillen er blitt kald.

Støpejernsruister og støpejernsplate

Hvis mat har satt seg fast på risten eller platen, følg disse rådene:

- Tørk bort fett og marinade med husholdningspapir. Vær nøye, for om det blir noe igjen kan det forårsake fettbrann i grillen.
- Legg risten og platen inn i grillen og tenn grillens brennere som er nærmest den fastbrente maten på platen og risten i grillen og steng lokket.
- Sett brennerne på maks effekt i maks 5 minutter slik at all mat og marinade brennes bort.
- Slå av grillen og åpne lokket. La grillen avkjøles i 15 minutter og skrubb med en myk messingbørste. Stålbørste er for stiv og vil ødelegge platene. **Skader ved bruk av stålbørste dekkes ikke av garantien.**
- Pensle grillristene og grillplaten med matolje etter rengjøringen, og grillen er klar til bruk igjen.
- Normal slitasje på grillristen og grillplaten samt rust forårsaket av dårlig vedlikehold dekkes ikke av garantien.

Grillens øvrige deler

Grillens tredeler skal pusses som følger:

- Alle tredeler skal vaskes med varmt vann og såpeblanding. Bruk en fuktig klut.
- Deretter tørker du av alle fuktige flater.
- Tre deler bør behandles med vanlig beskyttelsesmiddel minst 2-3 ganger pr. år. Slik unngår du at treverket tørker og sprekker. Bruk beskyttelsesmiddelet som beskrevet i den enkelte bruksanvisning, men prøv deg fram på et mindre område først for å forsikre deg om at det riktig for det aktuelle treverket.

Grillens ståldeler skal behandles på følgende måte:

- Alle blanke ståldeler skal vaskes med varmt vann og såpe. Bruk en fuktig klut.
- Etterpå tørkes alle fuktige flater.
- Kontrollpanelet skal vaskes med en fuktig klut. Det skal ikke pusses eller brukes pussemiddel. Pussemiddel kan fjerne tekst og informasjon fra panelet.
- Alle ståldeler som grilllokket og frontpanelet må behandles med et vanlig stålpussemiddel som for eksempel CRC 5-56 minst tre ganger pr. år. Bruk middelet i henhold til dets anvisninger.

Dette motvirker smuss og rustflekker på flatene. Bruk vedlikeholdsmiddelet i henhold til dets anvisninger, men prøv det ut på et sted som er lite synlig først. Dette gjøres for å kontrollere at middelet passer til bruk på stålfatene.

- Bruk stålpussemiddel kun på grillens ytre flater.

Grillens fettopsamler skal rengjøres på følgende måte:

- Under grillen er det et fettbrett som skal tømmes når det er fett og marinade i den. Fett kan begynne å brenne.
- Rengjør fettopsamleren med varmt vann og såpe. Rengjøringen av fettopsamleren blir enklere hvis det legges bakepapir i bunnen og aluminiumsfolie over dette. Bruk noen stener for å holde papiret på plass. Når fettopsamleren må tømmes fjernes bakepapiret og folien. Legg ikke sand i fettopsamleren.

Obs! Fett og marinader kan begynne å brenne.

Skader som oppstår som resultat av fettbrann dekkes ikke av garanti.

Grillens varmefordelingsplate skal rengjøres på følgende måte:

- Når grillens rist og plate er rengjort som tidligere beskrevet tas disse vekk.
- Skrubb av varmefordelingsplatene med en myk messingbørste.
- Varmefordelingsplatene kan også rengjøres med varmtvann og såpe.
- Etter rengjøring legges platene tilbake på plass.
- Legg deretter rist og plate tilbake på plass.

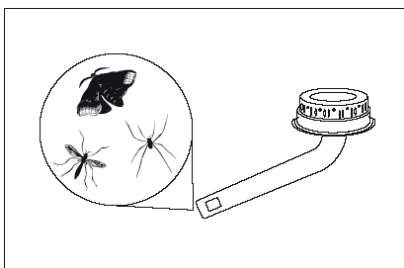
Varmefordelingsplatenes slitasje ved normal bruk eller rust som følge av manglende vedlikehold eller oppbevaring dekkes ikke av garantien.

Brennerne

Minst to ganger i året er det viktig å plukke ut brennerne og tennrørene for rengjøring. Bruk børste eller piperensere for rengjøring av venturierørene. (Brennernes hals) Kontroller at alle hull i brenneren er åpne. Hvis brenneren er blitt skadet eller er rusten, så bytt den ut med en gang.

Brenneren kan kjøpes som en reservedel. Hvis brenneren er i god stand, monter den korrekt tilbake. Vær nøye med at brennerne blir tilbakemontert korrekt inn på ventilene og at de skrues godt fast i grillen. Kontroller samtidig at ventilens dyse er ren.

Under transport og lagring er det mulig at små insekter, som f.eks. edderkopper, finner sin vei inn i for eksempel venturierøret. Der bygger de nett som kan blokkere gassflyten gjennom venturierøret. Dette merkes som en gul og sotete brennerflamme eller forhindrer brenneren i å tenne. Det kan også innebære at gassen begynner å brenne utenfor brenneren, noe som kan føre til store skader på grillen.



Hvis dette inntreffer, sett bryterne i stilling "OFF" og vent til grillen er blitt kald. Når den er kald kan du løsne brennerne og rengjøre venturierøret med børste og piperenser. Monter tilbake brennerne og forsikre deg om at de entrer inn på gassventilene med dyser.

Om gassen har brent utenfor brenneren skal alle berørte deler kontrolleres før ny tenning. Om deler er skadet skal du kontakte importøren.

Rengjøring av venturierørene skal skje med jevne mellomrom, og spesielt før hver grillsesong.

Garantien dekker ikke skader som oppstår på grunn av tette venturierør, dyser eller rust.

Grillens brennere rengjøres på følgende måte:

- Ta bort grillristen, platen og varmfordelingsplatene.

- Løsne skruen eller klipset som sitter i bakkant av brenneren og ta ut brenneren
- Rengjør alle hull i brenneren med en ståltråd.
- Om brenneren er i dårlig stand eller rusten, bytt den ut i en ny.

Om brenneren er i god stand monteres den tilbake på plass etter rengjøring.

- Sørg for at venturierøret monteres rett på ventilen.
- Fest brenneren til grillkassen med skrue eller klips.
- Legg varmfordelingsplatene, rist og plate tilbake på plass.

Brennerens slitasje ved normal bruk eller rust som følge av manglende vedlikehold eller feil oppbevaring dekkes ikke av garantien.

Lagring

Når grillsesongen er over og det er på tide med vinterlagring, gjør følgende:

- Rengjør grillen nøye. Rengjør delene med varmt vann og såpe. Bruk klut eller oppvaskbørste. Rengjør grillkassen og lokket også fra innsiden.
- Tenn grillen og la den brenne i ca. 20 minutter slik at den tørker helt.
- La grillen bli kald.
- Børste grillristen og grillplaten med grillbørste. Smør de deretter inn med matolje. Rapsolje er å foretrekke da dette er ren olje.
- Ta bort brennerne som tidligere beskrevet.
- Legg brennere, varmfordelingsplater, varmehylle, grillrist og grillplate i avispapir og oppbevar dette tørt innendørs.
- Behandle tredeler med treolje.
- Ta regulatoren av gassflasken.
- Spray gjerne rapsolje på blanke stålfater som konserveringsmiddel før vinterlagring.

Om grillen oppbevares utendørs, bruk et grilltrekk, som selges separat. Et riktig grilltrekk skal nå helt ned og sitte på plass selv om det blåser. Sørg for at luft kan sirkulere under grilltrekket. Grillen skal helst oppbevares under tak så den er

beskyttet fra regn og snø. Pass på at snø som faller fra taket ikke kan skade grillen. Skader som resultat av fallende snø eller vind dekkes ikke av garantien.

Deler som skal oppbevares innendørs

Følgende deler skal oppbevares innendørs:

- Støpejernsgrillrist og – plate
- Varmehylle
- Brennere
- Varmefordelingsplater

Oppbevaring av gassflasken

Når grillen ikke er i bruk, må gassen være avstengt ved flaskeventilen. Grillen og gassflasken kan lagres ute i et godt ventilert område. Gassflasken kan ikke lagres i en garasje, i et lukket rom under bakken eller nær varme flater. Skal grillen lagres inne, koble fra gassflasken. Lagre gassflasken i et godt ventilert område, og påse at sikkerhetslokket er påsatt. Gassflasken må ikke lagres i garasjen, på loftet eller nær en varmekilde.

GARANTI OG GARANTIHÅNDTERING

Garanti

For denne grillen gis det to års garanti på produksjon og materialfeil. Ta vare på kjøpskvitteringen og stift den sammen med bruksanvisningen som din garantiseddell. Gjør du garantikrav, må innkjøpssted og dato oppgis.

Garantien gjelder ikke feil som har oppstått ved normal slitasje eller ved at grillen har rustet, tredeler er misfarget/har slått seg, man har brukt grillen feil eller ikke har vedlikeholdt grillen tilstrekkelig.

At det skjer fargeendringer, at det oppstår flekker på stålfatene eller at de er blitt mørkere, er normalt etter bruk. I fuktig og saltholdig miljø, kan stålfatene få rustflekker om de ikke settes inn med rusthindrende middel. Hvis flekker oppstår

på tross av dette, så går det bra og bruke grillen ettersom rustflekker er normalt på stålfater og omfattes derfor ikke av garantien.

Hvis produktet eller dets deler viser seg å være defekte i løpet av garantitiden skal du kontakte forhandleren som behandler garantisaken. Forhandleren erstatter en defekt del eller en manglende del. Skifte av delen må du foreta selv. Garantien gjelder ikke om forutsetningene foran ikke er blitt fulgt.

Garantien gjelder ikke om produktet benyttes til kommersielt bruk. Garantien gjelder heller ikke om grillen er blitt forandret og ikke er brukt i henhold til denne manualens instruksjoner.

Følgende deler slites ved normalt bruk. Garantien gjelder derfor ikke for disse.

- Støpejernsbrennere og rørbrennere i stål
- Grillrist og grillplate
- Varmehyllen
- Varmefordelingsplater (Flavoriser)
- Gasslederørene

Nye deler i stedet for slitte kan bestilles av din forhandler.

Garantihandtering

Hvis produktet eller deler av dette viser seg å være defekt under garantitiden eller det er mangler under montasjen, skal du kontakte forhandleren. Forhandleren tar seg av alle garantisaker. Følgende opplysninger skal gis til forhandleren:

- Grillens navn og varenummer
- Grunnen til reklamasjonen
- Artikkelnnummer på defekt del ifølge delelisten
- Kopi av kvittering eller opplysninger om kjøpssted og dato
- Navn, telefonnummer, adresse og postnummer

FEILSØKNINGSTABELL

| Problem | Mulige årsaker | Tiltak |
|---|--|---|
| Brenneren tenner ikke | <ul style="list-style-type: none"> • Blokkert brennerhull | <ul style="list-style-type: none"> • Rengjør brenneren |
| Brennerne er ikke tilstrekkelig varme | <ul style="list-style-type: none"> • Gassflaskens ventil er stengt | <ul style="list-style-type: none"> • Åpne gassflaskens ventil |
| | <ul style="list-style-type: none"> • Brenneren er ikke korrekt installert | <ul style="list-style-type: none"> • Kontroller brennerens installasjon |
| | <ul style="list-style-type: none"> • Brennerens venturierør er tett | <ul style="list-style-type: none"> • Rengjør eller bytt ut brenneren |
| | <ul style="list-style-type: none"> • Lavt gassnivå eller flasken er nesten tom | <ul style="list-style-type: none"> • Bytt gassflaske |
| | <ul style="list-style-type: none"> • Regulatoren er ikke ordentlig påsatt | <ul style="list-style-type: none"> • Kontroller regulatoren |
| Gule flammer fra brennerne | <ul style="list-style-type: none"> • Delvis tett venturierør | <ul style="list-style-type: none"> • Rengjør brenneren |
| | <ul style="list-style-type: none"> • Salt eller marinade i brenneren | <ul style="list-style-type: none"> • Rengjør brenneren |
| Brennerne tenner med fyrstikk, men ikke med grillens tenner | <ul style="list-style-type: none"> • Dårlig kontakt på tenneren | <ul style="list-style-type: none"> • Kontroller koblingene |
| | <ul style="list-style-type: none"> • Defekt elektrode • Dårlig jording | <ul style="list-style-type: none"> • Påse at gasslederørene, brenneren, batteriet og batteri-tenneren er korrekt installert |
| Flammen blåser ut | <ul style="list-style-type: none"> • Defekt tenner | <ul style="list-style-type: none"> • Bytt tenneren |
| | <ul style="list-style-type: none"> • Sterk vind | <ul style="list-style-type: none"> • Plasser grillen i ly av vinden |
| For høy temperatur eller oppflammeringer | <ul style="list-style-type: none"> • Lavt gassnivå | <ul style="list-style-type: none"> • Bytt gassflaske |
| | <ul style="list-style-type: none"> • For mye fett i maten | <ul style="list-style-type: none"> • Tørk av kjøttet og juster brennerens effekt |
| | <ul style="list-style-type: none"> • Fullt fettavløp | <ul style="list-style-type: none"> • Tøm fettkoppen og rengjør brennerne |
| Flammer bak frontpanelet | <ul style="list-style-type: none"> • Feilplasserte grillrister | <ul style="list-style-type: none"> • Plasser grillristene på nytt |
| | <ul style="list-style-type: none"> • Tette venturierør/brennere • Sterk vind | <ul style="list-style-type: none"> • Steng gassflaskens ventil umiddelbart. La grillen avkjøles og rengjør brennerne. |
| Regulatoren durer | <ul style="list-style-type: none"> • Det er ingen feil eller farlig situasjon | <ul style="list-style-type: none"> • Tilfeldig forstyrrelse avhengig av temperaturen ute i kombinasjon med nivået på gassen i flasken. |
| Uregelmessig flamme | <ul style="list-style-type: none"> • Tett, rusten eller defekt brenner | <ul style="list-style-type: none"> • Rengjør eller bytt ut brenneren |

GENERELLE ANVISNINGER

Ved at købe denne gasgrill accepterer du forpligtelsen til at læse alle instruktioner om montering, brug, pleje og vedligeholdelse i denne brugsanvisning. Læs alle instruktioner og råd, før du bruger enheden. Læs og forstå især alle advarsler og sikkerhedsanvisninger, før du bruger gasgrillen. Følg alle instruktioner vedrørende optænding og betjening nøje. Håndter metaldele forsigtigt for at undgå skader. Følg rækkefølgen trin for trin.

DENNE GRILL ER KUN TIL UDENDØRS BRUG. PÅ GRUND AF GRILLENS ÅBNE DESIGN, MULIGE FEDTLÆKAGER I KOMPONENTERNE OG FEDTSPILD UDEN FOR GRILLEN, MÅ DU IKKE BRUGE GRILLEN I NÆRHEDEN AF ELLER OVEN PÅ FØLSOMME OVERFLADER. FEDT FRA MARINADEN KAN LØBE UD UNDER GRILLEN, NED PÅ EN BUNDPLADE ELLER I ET SKAB, OG DER ER RISIKO FOR STÆNK AF FEDT/MARINADE PÅ DE OMGIVENDE OVERFLADER. NÅR DU BRUGER GRILLEN, ER FEDTLÆKAGER ELLER STÆNK HELT NORMALT. GRILLEN ER CE-MÆRKET OG GODKENDT I HENHOLD TIL GÆLDENDE LOVGIVNING. ENHVER STRUKTUREL ÆNDRING AF GRILLEN ER FORBUDT. NÅR GRILLEN SAMLES, MÅ DER IKKE UDELADES KOMPONENTER ELLER TILFØJES KOMPONENTER TIL KONSTRUKTIONEN.

GRILLRELATEREDE ADVARSLER OG SIKKERHEDSINSTRUKTIONER

1. Grillen er kun til udendørs brug.
2. Det kan være farligt at bruge grillen til andre formål end det, den er beregnet til.
3. Sluk altid for gastilførslen fra gasflasken efter brug.
4. Følg alle monteringsanvisninger. Hvis du ikke følger instruktionerne, kan det give problemer under brug.
5. Grillen bliver varm under brug - vær forsigtig, hvis der er kæledyr, børn eller ældre i nærheden.
6. Hvis du oplever en stærk gaslugt, skal du straks slukke for gastilførslen fra gasflasken. Sluk alle flammer ved at lukke ventilen for hver brænder.

- Åbn låget på grillen, og tjek for eventuelle lækager. Udfør en lækagetest i overensstemmelse med instruktionerne. Reparer eventuelle utætte samlinger. Hvis du ikke kan finde fejlen, skal du kontakte en kvalificeret gasmontør eller importøren.
7. Flyt ikke grillen, mens den er i brug eller fortsat varm.
8. Brug eller opbevar ikke brændbare materialer, væsker eller gasser i nærheden af grillen.
9. Foretag aldrig lækagekontrol med åben ild.
10. Brug ikke grillen, hvis den er defekt.
11. Mens grillen er i brug, må du aldrig afbryde gastilslutningerne fra grillen eller regulatoren.
12. Efterlad aldrig grillen uden opsyn, mens det er i brug.
13. Lad ikke børn bruge grillen.
14. Rengør grillen med jævne mellemrum. Pas på ikke at beskadige brænderåbningerne og ventildyserne under rengøringen.
15. Især skal bunden af grillen, drypbakken, grillpladen og risten holdes rene for fedt og marinade. Risiko for brændende fedt!
16. Brug ikke grillen under en baldakin, ved siden af en væg, inde i en garage, campingvogn eller autocamper, ombord på en båd, i et lukket område eller indendørs. Tjek, at der ikke er brændbare eller brandfarlige materialer i nærheden. Der skal være mindst 1 meter (helst mere) fri plads omkring grillen i alle retninger.
17. Vi anbefaler at servicere og rengøre grillen mindst en gang om året. Hvis du ikke er sikker på, hvordan du skal servicere enheden, skal du kontakte en autoriseret gasinstallatør i stedet for selv at servicere den.
18. Kun en kvalificeret gasinstallatør må servicere og justere grillens hovedventiler, gashaner og ventildyser.
19. Før grillen tages i brug efter længere tids opbevaring (f.eks. om foråret), og efter hver udskiftning af gasflasken eller installation af nye komponenter (f.eks. trykregulator eller gasslange), skal der altid udføres en lækagetest.
20. Når du tænder grillen, skal låget altid være åbent.
21. Brug varmebestandige grillhandsker og robuste grillredskaber med langt skaft, når du bruger grillen. Vær forberedt på mulige ulykker: Sørg for, at du ved, hvor førstehjælpskassen og brandslukkeren findes, og at du er i stand til at bruge dem.
22. Vær forberedt på mulige ulykker: Sørg for, at du ved, hvor førstehjælpskassen og brandslukkeren findes, og at du er i stand til at bruge dem.

TEKNISKE SPECIFIKATIONER

Model: Cello Argon 4 (502685859)

Samlet effekt:

Hovedbrændere: 12kW

Gasforbrug: Maks. 872g/h

Driftstryk: 30 mbar

Gas: Butan/Propan

Anvendelseskategori: I3 B/P

Hovedbrænderens dysediameter: 0.86mm

CE 0063-25

PRODUKTKODE: 0063CN7292

INDEN BRUG AF DENNE GRILL

Gasflaske, gasslange, trykregulator, gasslange, lavtryksregulator og slangeklemmer leveres ikke af producenten. Disse komponenter skal købes separat. Køb en gasflaske (min. 5 kg, maks. 11 kg), en lavtryksregulator (30 mbar) og en gasslange hos din forhandler.

Bemærk! Regulatoren, der er tilsluttet flasken, må ikke kunne justeres på nogen måde og skal være mærket med et driftstryk på 30 mbar.



Lavtryksregulatorerne på 30 mbar på billedet passer til en gasgrill, mens højtryksregulatoren til højre er beregnet til LPG-værktøj og må ikke bruges til en gasgrill. Den anvendte gasslange skal være en 10 mm LPG-slange, der er godkendt til brug i det relevante land. Længden må ikke overstige 1,2 m.

Lavtryksregulatoren skal overholde standarden EN16436 eller EN16129 samt de nationale bestemmelser.

Den udskiftelige slange skal opfylde standarden i EN 16436-1.

Kontrollér regelmæssigt gasslangens tilstand.

Udskift slidte eller beskadigede slanger. Hold gasslangen væk fra grillens varme dele.

Kontrollér, at gasslangen ikke er snoet på en måde, der forhindrer gassen i at passere gennem slangen.

Installation af gasflaske

1. Kontrollér, at alle grillens ventiler er i OFF-position.
2. Sæt gasslangen godt fast på lavtryksregulatorens slangekobling og den anden ende af slangen på grillens slangekobling. Brug slangeklemmer til at spænde med.
3. Sæt lavtryksregulatoren på gasflasken. Kontrollér regulatorens forbindelse til gasflasken ved at trække regulatoren kraftigt opad. Åbn langsomt for gastilførslen fra lavtryksregulatoren for at stabilisere gastrykket.

Borttagning af gasflaske

1. Brug lavtryksregulatoren til at afbryde gastilførslen.
2. Kontrollér, at alle grillens ventiler er i OFF-position.
3. Afmonter lavtryksregulatoren fra gasflasken. Udskift ikke gasflasken i nærheden af åben ild eller gløder.

Inden den anvendes første gang

Før du tager grillen i brug første gang, skal du udføre en fuld lækagetest i overensstemmelse med instruktionerne. Tænd grillen, og brug alle brændere på MAX effekt i ca. 5 minutter (men ikke længere) med åbent låg. Luk derefter låget, og fortsæt med at bruge grillen på MAX-effekt i yderligere 2-3 minutter. Når det er sket, er fedtresterne fra lageret brændt af. Lad grillen køle af i ca. 15 minutter. Rengør risten og grillpladen med en grillbørste. Olier risten og grillpladen med madolie. Nu er grillen klar til brug.

Lækagetest

Lækagetest er altid påkrævet i følgende tilfælde:

- Inden grillen tændes første gang.
- Hver gang der installeres en ny gasflaske eller en komponent udskiftes.
- Vi anbefaler at udføre testen mindst en gang om året før hver grillsæson.

Udfør altid lækagetesten udendørs, væk fra varme, åben ild og brændbare væsker. Du må ikke ryge, mens du udfører testen. Brug altid 50/50 flydende sæbe/vand-opløsning til lækagetesten. Brug aldrig en tændstik eller åben ild.

Tjek altid følgende, når du udfører en lækagetest

- Gasflaskeventiler og flaskegevind.
- Alle svejsninger på gasflasken.
- Montering af regulator og tilslutning af gasflaske.
- Alle slangesamlinger (inklusive slanger til sidebrændere, hvis de findes).

Udfør lækagetesten på følgende måde


- Brug en nyligt fyldt og kontrolleret gasflaske, der er tilsluttet grillen med alle grillens regulatorer i OFF-position.
- Åbn trykregulatoren.
- Brug en børste og sæbevand til at gøre alle samlinger og dele våde.
- Tjek omhyggeligt for bobler (tegn på gaslækage).
- Hvis der opstår bobler ved samlingerne, skal du stramme dem, indtil en ny test ikke viser tegn på lækage (luk altid for gastilførslen, mens du reparerer lækagen).
- Luk trykregulatoren, og sørg for, at reguleringsventilerne er lukkede.

Brug ikke grillen, hvis det ikke lykkes dig at eliminere en lækage.

Luk gasflaskens ventil, tag gasflasken af, og kontakt importøren.


BRUG AF GRILLEN

OPTÆNDINGSANVISNING

1. Åbn låget. Drej alle betjeningsknapper til position ●.
2. Åbn gasflaskens ventil. Vent i 5 sekunder.
3. Tryk betjeningsknappen i bund, og drej den mod uret til position . Der høres en kliklyd, og brænderen tændes. Gentag om nødvendigt 3-4 gange.
4. Hvis brænderen ikke antændes, skal du dreje betjeningsknappen til position ● og vente i 5 minutter. Gentag punkt 3, eller antænd med en tændstik.
5. Når brænderen er tændt, gentages punkt 3 med de andre brændere.
6. Juster effekten ved at dreje på betjeningsknapperne.

Tænding med tændstik i tilfælde af fejl i piezotænderen

I højreide af grillens brændkammer sidder der et åbent hul, hvor grillen kan antændes med en lang tændstik.

1. Åbn altid låget, før du tænder grillen.
2. Åbn for gastilførslen fra gasflasken og lavtryksregulatoren.
3. Placer en brændende tændstik ved siden af brænderen gennem det åbne hul i grillens brændkammer.
4. Tryk og drej betjeningsknappen i højre side til positionen .

Kontrollér ved at kigge gennem gitteret og varmfordelingspanelet, at brænderen faktisk er tændt.

Hvis brænderen stadig ikke tænder, kan du få hjælp i fejlfindingslisten.

Advarsel! Læn dig aldrig ind over grillen, når du tænder eller bruger den.

Hvis brænderen ikke antændes i løbet af 10 sekunder på trods af gentagne forsøg, skal du slukke for grillregulatoren og afbryde gastilførslen fra flasken. Lad låget stå åbent, og vent i mindst 5 minutter, før du forsøger at tænde grillen igen. På den måde kan den gas, der er ophobet i grillen, slippe ud.

Bemærk! Sidebordets stel er designet til at bære en vægt på maks. 5 kg. Overskrid ikke vægtgrænsen.

Brug af grillen

1. Når du tilbereder mad med låget lukket, må du ikke bruge mere end én brænder på MAX effekt. I de fleste tilfælde er en enkelt brænder med fuld effekt tilstrækkelig til tilberedning af mad.
2. Brug aldrig mere end to brændere på MAX-effekt samtidig. Unødvendig høj varme kan beskadige grillens komponenter.
3. Efterlad aldrig en tændt grill uden opsyn, ikke engang et øjeblik.

Flammen presses ud af brænderen

I blæsevejr kan vinden presse flammen ud af brænderen. I sådanne tilfælde vil flammen brænde under kontrolpanelet. Samtidig kan man høre en høj brølende eller svirpende lyd.

Grillen skal straks slukkes. Hvis grillen ikke slukkes, kan grillens ventil, kontrolpanel og betjeningsknapper blive beskadiget.

Skader forårsaget af flammer, der presses ud af brænderen, dækkes ikke af garantien.

Sådan slukkes grillen

1. Sluk for gasforsyningen fra flasken til grillen.
2. Når alle brænderflammerne er slukket, skal du dreje brændernes betjeningsknapper til positionen OFF. Kontrollér igen, at der er slukket for gastilførslen fra flasken.
3. Afmonter lavtryksregulatoren fra gasflasken.

Varmefordelingsplader

Denne grill er forsynet med varmfordelingsplader over brænderne. Varmefordelingspladerne er beregnet til at fordele varmen jævnt over grillområdet, forhindre varme flammer i at komme i direkte kontakt med den grillede mad og beskytte brænderne mod fedt, salte væsker og marinader, der drypper fra maden.

Lavasten må ikke bruges i denne grill.

Varmefordelingspladerne er placeret oven på brænderne under grillristen. Der bruges ikke varmfordelingsplader under en tom grillplade. På grund af dette kan antallet af varmfordelingsplader afvige fra antallet af brændere.

Forberedelser

Grillen skal varmes op, før maden tilberedes. Tænd grillen med alle brændere på MAX effekt i ca. 3-5 minutter (men ikke længere) med åbent låg. Hvis den tilberedte mad kræver en lavere tilberedningstemperatur, skal du bruge betjeningsknapperne til at sænke temperaturen, før du lægger maden i. Brug aldrig alle grillens brændere samtidig på MAX effekt - ellers bliver grillen for varm til madlavning, og gassen går til spilde. Det er normalt tilstrækkeligt at have en eller to brændere tændt ad gangen, og det anbefales at bruge en lav effekt. Erfaringen lærer dig at vælge den bedste indstilling.

Tilberedningstid

Denne påvirkes af flere faktorer, og erfaring med at grille er en fordel. Den krævede tid kan afhænge af råvarerne, størrelsen på den grillede mad og endda vejret. Erfaringen viser, at en lavere effektindstilling fungerer bedre på en varm dag, mens en højere effektindstilling kan være mere fordelagtig på en kold dag. Prøv at tilberede forskellige fødevarer ved forskellige indstillinger for at få den bedste fornemmelse.

Pludselige flammer

Pludselige flammer kan øge temperaturen inde i grillen for meget og forstærke afdrypningen af fedt fra de tilberedte fødevarer, hvilket øger risikoen for fedtbrand. Mindre pludselige flammer er normale og gavnlige og bidrager til den gode grillsmag. Følg disse tips for at holde de pludselige flammer under kontrol:

- Fjern synligt fedt fra kødet, før du griller det.
- Tilbered kylling og svinekød på en lavere effekt.
- Sørg for, at fedtafløbet på grillens bund er åbent, og at drypbakken ikke er fuld. Tøm og rengør drypbakken regelmæssigt, gerne efter hver gang grillen er blevet brugt.
- Hvis det er muligt, bør du altid lave mad med låget nede og ved mindst mulig effekt, som samtidig er effektiv.

Hvis du holder låget nede, forbliver temperaturen inde i grillen konstant, og der forbruges mindre gas. Maden tørrer heller ikke ud, hvis låget er nede, på grund af vanddampene og varmen fra LPG-gassen, der cirkulerer inde i grillen.

Marinader

Marinader er beregnet til at give smag til den grillede mad. Inde i grillen kan marinaden få maden til at klæbe til grillristen eller grillpladen. Den kan også løbe ind under grillen eller bryde i brand.

Hvis der er marinade til stede:

- Tør overskydende marinade af, før du lægger maden på grillen.
- Hæld aldrig marinade på grillmaden, når den er på grillen.
- Påfør aldrig marinade, som råt kød, kylling eller fisk har ligget i, med en grillpensel på den allerede grillede mad. Ellers vil bakterierne fra det rå kød ende i den tilberedte mad.
- Hvis du vil give den grillede mad smag eller en skinnende overflade, kan du bruge en pensel til at smøre lidt barbecuesauce på maden i den sidste fase af tilberedningen. Tilbered altid saucerne separat.

VEDLIGEHODELSE, RENGØRING OG OPBEVARING

Vedligeholdelse og rengøring af grillen

For at sikre, at grillen er i god stand og fungerer optimalt i årenes løb, skal grillen og dens komponenter rengøres og vedligeholdes. Gør i det mindste dette, så snart grillen er afkølet, efter hver gang du har brugt grillen.

Grillriste og -plader

Hvis den grillede mad har sat sig fast på grillristene eller pladerne, skal du gøre følgende:

- Brug et stykke køkkenrulle til at tørre overskydende fedt og marinade af risten. Vær grundig - lad ikke fedt eller marinade blive siddende inde i grillen, da der kan gå ild i det.
 - Tænd for brænderne i henhold til anvisningerne. Indstil brænderne til maksimal effekt. Luk låget på grillen.
 - Lad brænderne forbrænde eventuelle madrester, fedt og marinade, der sidder fast på risten og grillpanden. Anvend brænderne på fuld effekt i en tom grill i maks. 5 minutter, ellers kan grillens komponenter blive overophedede.
 - Luk brænderne, åbn låget, og lad komponenterne køle af i mindst 15 minutter, indtil det er sikkert at røre ved dem.
 - Brug en grillbørste med messingwire til at fjerne fastbrændt mad fra risten og grillpanden. Der må kun bruges en børste, der er beregnet til rengøring af grill. Børsterne på en almindelig stålbørste er for hårde og ødelægger grilldeles overflader.
- Konsekvenserne af at bruge en stålbørste er ikke dækket af garantien.**
- Til sidst, når ristene er rene, smører du lidt madolie på dem, så grillen er klar til næste brug.

Eventuel slitage eller korrosion af grillristen og -pladen som følge af almindelig brug, forkert vedligeholdelse eller forkert opbevaring dækkes ikke af garantien.

Andre grilldele

Grillens trædele skal rengøres på følgende måde:

- Alle trædele skal rengøres regelmæssigt ved at vaske dem med sæbevand og tørre dem af med en fugtig klud.
- Tør de rengjorte overflader omhyggeligt.
- Trædele skal behandles mindst 2-3 gange om året med rengøringsprodukter til udendørsmøbler, der almindeligvis fås i butikkerne. Det forhindrer udtørring og revnedannelse på trædelene. Brug produkterne i overensstemmelse med deres instruktioner, men sørg for, at de er egnede til trædele. Det er en god idé at afprøve rengørings- og plejeprodukter på en del af træet, som ikke er direkte synlig, f.eks. på undersiden af sidebordet, før midlerne tages i brug. Det sikrer, at produktet er kan bruges på trædele.

Grillens ståledele skal rengøres på følgende måde:

- Alle ståledele skal rengøres regelmæssigt ved at vaske dem med sæbevand og tørre dem af med en fugtig klud.
- Tør de rengjorte overflader omhyggeligt.
- Tekst og billeder trykt på kontrolpanelet må kun aftørres med en fugtig klud. Du må ikke skrubbe eller bruge rengøringsmidler. Et rengøringsmiddel kan løsne teksterne eller anden mærkning på kontrolpanelet.
- Alle ståledele, som f.eks. grillens låg og kontrolpanelet, skal behandles mindst 2-3 gange om året med rengørings- og vedligeholdelsesprodukter til stål, som fås i butikkerne, f.eks. universalsprayen CRC 5-56. Det forhindrer, at urenheder sætter sig fast, og at der opstår rustpletter på ståloverfladerne. Brug produkterne i overensstemmelse med deres instruktioner, men kontrollér, at de egner sig til ståloverflader på en grill. Det er en god idé at afprøve rengørings- og plejeprodukter på dele af stålet, som ikke er direkte synlige, f.eks. lågets bageste hjørner, før midlerne tages i brug. Det sikrer, at produktet er kan bruges på grillens ståledele.
- Brug kun rengørings- og vedligeholdelsesprodukter på grillens ydersider.

Drypbakke under grillen:

- Drypbakken under grillen skal tømmes, når der drypper marinade og fedt fra grillen. Undgå, at der dannes fedtpøle på drypbakken, da der kan gå ild i dem.
- Rengør drypbakken ved at vaske den af i køkkenvasken.

Rengøringen af drypbakken kan gøres lettere ved at dække den med et stykke bagepapir og et stykke aluminiumsfolie. Brug et par små sten til at holde dem på plads. Når der er fedt og marinade på drypbakken, skal du fjerne og kassere folien og bagepapiret. Læg ikke sand i drypbakken.

Bemærk! Der kan gå ild i fedt og marinade i drypbakken. Garantien dækker ikke skader på grillen forårsaget af fedtbrand.

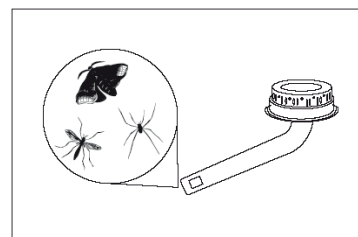
Varmefordelingspladerne skal rengøres på følgende måde:

- Når ristene og grillpladen er rengjort i henhold til anvisningerne, løftes de ud fra der, hvor de sidder.
- Rengør varmfordelingspanelerne med en grillbørste.
- Du kan også vaske varmfordelingspanelerne i køkkenvasken. Brug ikke opvaskemaskine til at vaske panelerne.
- Efter rengøring sættes varmfordelingspladerne tilbage på plads.
- Sæt risten og grillpladen tilbage

Eventuel slitage eller korrosion af grillristen og -pladen som følge af almindelig brug, forkert vedligeholdelse eller forkert opbevaring dækkes ikke af garantien.

Brændere

Brændernes og grillventilernes tilstand og funktionalitet skal kontrolleres regelmæssigt. Tag brænderne af, og kontrollér deres tilstand mindst to gange om året. Alle brænderåbninger skal kontrolleres, og eventuelle blokeringer skal fjernes. Kontrollér ved samme lejlighed, at ventildysen er ren. Under transport/opbevaring eller mellem grillsessioner kan små insekter (f.eks. edderkopper) kravle ind i gastilførselsslangerne og bygge reder eller spind der.



Det kan forhindre gassen i at nå frem til venturirøret og forårsage en gullig, røgfyldt flamme ved

brænderen eller gøre det umuligt at tænde brænderen. Det kan endda resultere i en forbrænding af gassen uden for tilførselsrøret, hvilket kan medføre alvorlige skader på grillen.

I tilfælde af sådanne problemer skal du lukke for gastilførslen og vente på, at grillen køler af. Når grillen er afkølet, skal du fjerne brænderen i henhold til anvisningerne og rengøre venturirørene med en børste eller en piberenser. Monter brænderen igen i henhold til anvisningerne, og sørg for, at gasforsyningsslangerne er monteret på gasventilens dyser.

Hvis der er opstået en gasbrand uden for venturirøret, skal du kontrollere tilstanden for alle dele, før du tænder grillen igen. Brug ikke grillen, hvis der er defekte dele. Kontakt importøren.

Gastilførselsslangerne skal rengøres regelmæssigt, især i begyndelsen af hver grillsæson.

Garantien for grillen dækker ikke skader forårsaget af tilstoppede gasrør eller tilstoppede ventildysere.

Gør følgende for at rengøre brænderne:

- Fjern grillristen, grillpladen og varmfordelingspladerne.
- Fjern brænderen fra grillens brændkammer ved at skrue brænderens fastgørelsesskrue ud. Skruen sidder i den bageste ende af brænderen.
- Brug en tynd stålwire til rengøre brændernes åbninger. Udskift beskadigede eller stærkt korroderede brændere så hurtigt som muligt.
- Kontrollér ved samme lejlighed, at ventildysen er ren.

Hvis brænderne er i god stand, skal du installere dem igen i den rigtige position.

- Når du monterer brænderen på grillen igen, skal du sørge for, at ventildysen går ind i brænderens gastilførselsåbning.
- Montér brænderen på grillens brændkammer ved hjælp af fastgørelsesskruen.
- Sæt varmfordelingsplader, rist og grillplade tilbage.

Garantien dækker ikke brugsrelateret slitage eller korrosion af brænderne.

Opbevaring

Når grillsæsonen er slut, og grillen skal opbevares for vinteren, skal du som minimum gøre følgende:

- Rengør grillen grundigt. Vask grillens dele med en opvaskebørste og sæbevand. Vask også brændkammer og låget på grillen indefra. Skyl grundigt.
- Saml grillen igen, og tænd den i ca. 20 minutter, indtil den er helt tør.
- Lad grillen køle af igen.
- Rengør risten og grillpladen med en grillbørste.
- Olier risten og grillpladen med madolie.
- Rengør drypbakken.
- Fjern brænderne i henhold til anvisningerne.
- Pak brænderne, risten og grillpladen, varmestativet og varmfordelingspladerne løst ind i avispapir, og opbevar delene indendørs på et tørt og varmt sted.
- Behandl grillens trædele med træolie.
- Afmonter lavtryksregulatoren fra gasflasken.

Hvis du har tænkt dig at opbevare grillen udendørs, skal du bruge et ordentligt beskyttelsesovertræk, der sælges separat. Sådant et beskyttelsesovertræk beskytter grillen fra top til bund og bliver på plads selv i blæsevej. Sørg for, at der er luftcirkulation under beskyttelsesovertrækket. Grillen skal altid mindst opbevares under en baldakin, beskyttet mod direkte regn eller snefald. Sørg for, at sne, der falder ned fra taget, ikke beskadiger grillen.

Garantien dækker ikke skader som følge af nedfald af sne eller stærk vind (der vælter grillen).

Grillens dele skal opbevares indendørs

Følgende grilldele skal opbevares indendørs på et tørt sted om vinteren:

- Støbejernsristen og grillpladen
- Varmestativ
- Brændere
- Varmefordelingsplader

Opbevaring af gasflaske

Når grillen ikke er i brug, skal der slukkes for gastilførslen fra flasken til grillen. Gasflasken skal opbevares udendørs på et godt ventileret sted. Undgå at opbevare gasflasken i en garage, en kælder, et loft eller ved siden af et varmeapparat.

GARANTI OG GARANTIPROCEDURE

Garanti

Denne grill og dens komponenter er dækket af en toårig fabriks- og materialegaranti. Gem kvitteringen, tag en kopi af kvitteringen og vedlæg den denne vejledning til brug som garantibevis. I garantisager skal det være muligt at foretage en pålidelig verifikation af købssted og købsdato.

Garantien dækker ikke normalt slid på komponenter, skævheder eller revner i trædele, korrosion af komponenter eller overflader, fejl forårsaget af korrosion, fejl og skader forårsaget af forkert brug eller utilstrækkelig vedligeholdelse af enheden. Misfarvning af ståloverflader, pletter og mørkfarvning er normale konsekvenser af brug og tidens gang. Især i fugtige og saltholdige miljøer er der risiko for punktkorrosion af ståloverflader, og derfor er det meget vigtigt at bruge stålplejeprodukter i overensstemmelse med anvisningerne. En sådan mulig punktkorrosion forstyrrer ikke brugen af enheden, og forekomsten af korrosion er helt normal for ståloverflader, hvorfor den ikke dækkes af garantien.

Hvis du opdager en fejl på produktet eller en produktkomponent i garantiperioden, skal du kontakte det sted, hvor du har købt grillen. Importøren tager sig af alle garantiprocedurer. Importøren leverer en ny komponent som erstatning for den beskadigede eller manglende komponent, men er ikke ansvarlig for installationen af den nye komponent. I tilfælde af selvmonterede griller er kunden altid ansvarlig for udskiftning af komponenter i overensstemmelse med grillens instruktioner. Hvis disse instruktioner ikke følges, bortfalder garantien, og brugen vil ikke være i overensstemmelse med produktcertifikatet. Hvis produktet bruges til kommerciel produktion, salg eller leasing, bortfalder garantien.

Følgende grillkomponenter er udsat for brugsrelateret slitage, hvorfor garantien ikke dækker slitage eller korrosion af disse som følge af brug.

- Brændere i støbejern eller rustfrit rør
- Grillriste og grillplader
- Varmestativ
- Varmefordelingsplader
- Fedtbakke

Garanti:

Hvis du opdager en fejl på produktet eller en produktkomponent i garantiperioden, eller hvis der mangler dele i forbindelse med monteringen af grillen, skal du kontakte det sted, hvor du har købt grillen. Før du indsender et garantikrav, skal du læse brugsanvisningen omhyggeligt og sikre dig, at kravet ikke er relateret til forkert brug eller manglende vedligeholdelse. I garantisager skal følgende data indsendes til købsstedet:

- Grillens mærke og model
- Årsagen til kravet

Reserveordelsesnummeret på den defekte del i henhold til reservedelslisten

TROUBLESHOOTING GUIDE

| Problem | Mulige årsager | Afhjælpning |
|--|---|--|
| Umuligt at tænde brænderen (med tænding eller tændstik) | <ul style="list-style-type: none"> • Brænderåbningerne er blokeret • Gasflaskens ventil er ikke åben | <ul style="list-style-type: none"> • Fjern blokeringerne • Åbn gasflaskens ventil |
| Brænderne producerer ikke nok varme | <ul style="list-style-type: none"> • Brænderne er ikke monteret korrekt på grillens ventiler • Brænderens luftindtag er blokeret • Flasken er tom eller næsten tom • Regulatoren er ikke tilsluttet korrekt til cylinderen • Gastilførslen er blokeret • Åbningerne i brænderens luftindtag er blokeret | <ul style="list-style-type: none"> • Kontrollér, at grillbrænderne er monteret på ventilerne • Rengør eller udskift brænderen • Skift flasken til en ny flaske • Kontroller regulatorens forbindelse til cylinderen • Straighten gas hose • Ren gasslangen ud • Fjern blokeringerne |
| Gul flamme med kraftig røg | <ul style="list-style-type: none"> • Masser af salt eller marinade på brænderens overflader | <ul style="list-style-type: none"> • Rengør brænderne |
| Brænderen kan tændes med en tændstik, men ikke med tændingen | <ul style="list-style-type: none"> • Dårlig lederkontakt • Defekt tænding eller elektrode • Dårlig jordforbindelse • Defekt tænding | <ul style="list-style-type: none"> • Kontrollér, at alle samlinger er tætte • Kontrollér, at brænderen og tænderen er installeret korrekt • Udskift tændingen |
| Flammen går ud | <ul style="list-style-type: none"> • Blæsevej • Flasken er næsten tom | <ul style="list-style-type: none"> • Flyt grillen væk fra vinden • Udskift flasken |
| Overdreven varme overdrevne pludselige flammer | <ul style="list-style-type: none"> • Fedtrig mad • Blokeret fedtafløb fra grill • Tilberedt mad er ikke placeret korrekt | <ul style="list-style-type: none"> • Fjern overskydende fedt, og reducer brænderens effekt • Rengør fedtopsamlere og brænderne • Placer tilberedt mad korrekt. |
| Flammer under kontrolpanel | <ul style="list-style-type: none"> • Blokerede brændere • Kraftig vind | <ul style="list-style-type: none"> • Sluk straks for gassen, lad grillen køle af, og rengør brænderne |
| Regulatorer brumme | <ul style="list-style-type: none"> • Dette er ikke en defekt eller en fare | <ul style="list-style-type: none"> • En midlertidig situation forårsaget af en høj udetemperatur og en fuld gasflaske |
| Ufuldstændig flamme | <ul style="list-style-type: none"> • Flammen er synligt gul | <ul style="list-style-type: none"> • Rengør eller udskift brænderen og kontrollér, at brænderen ikke er blokeret |
| Flammen er for stor | <ul style="list-style-type: none"> • Du bruger den forkerte type trykregulator. | <ul style="list-style-type: none"> • Skift til en 30 mbar trykregulator |

ÜLDJUHISED

Ostes selle gaasigrilli, oled ühtaegu kohustatud lugema läbi kõik käesolevas kasutusjuhendis olevad kokkupaneku-, kasutus-, ja hooldusjuhised. Loe läbi kõik juhendid ja nõuanded, enne kui hakkad seadet kasutama. Enne gaasigrilli kasutuselevõttu pead sa eriti tähelepanelikult lugema ja mõistma kõiki hoiatus- ja turvajuhiseid. Järgi täpselt süütamise ja kasutamisega seotud juhiseid. Ole metallosadega ettevaatlik, et end mitte vigastada. Järgi kõiki juhendi punkte nende järjestuses.

SEE GRILL ON MÕELDUD AINULT VÄLISKASUTUSEKS.

GRILLI AVATUD KONSTRUKTSIOONI, RASVA VÕIMALIKU KONSTRUKTSIOONIDESSE VALGUMISE JA VÄLJAPOOLE PRITSIMISE TÕTTU ÄRA KASUTA GRILLI TUNDLIKE PINDADE LÄHEDUSES VÕI NENDE PEAL.

GRILLIST VÕIB VALGUDA RASVA VÕI MARIINADE GRILLI ALLA, ALAPINNALE VÕI -KAPPI NING NEED VÕIVAD PRITSIDA ÜMBER GRILLI. RASVA VALGUMINE JA PRITSMED ON GRILLI KASUTAMISEL NORMAALNE NÄHTUS.

GRILLIL ON CE-MÄRGISTUS NING SEE ON KEHTIVATE MÄÄRUSTE KOHASELT HEAKS KIIDETUD.

GRILLI KONSTRUKTSIOONI VÄHENEGI MUUTMINE ON KATEGOORILISELT KEELATUD. GRILLI KOKKUPANEKUL EI TOHI ÜHTKI OSA JÄÄDA KONSTRUKTSIOONILE KINNITAMATA, SAMUTI EI TOHI MINGEID OSI LISADA.

GRILLIGA SEOTUD HOIATUSED JA OHUTUSJUHISED

1. Grill on mõeldud ainult väliskasutuseks.
2. Pärast kasutamist sule alati gaasiballoon.
3. Järgi kõiki paigaldusjuhendeid. Kui juhendeid ei järgita, võib kasutamisel tekkida probleeme.

4. Kasutamise ajal grill kuumeneb. Ole valvas, kui läheduses on lemmikloomi, lapsed või vanureid.

5. Kui tunned tugevat gaasilõhna, sule gaasiballoon viivitamatult. Kustuta kõik põlevad leegid, sulgedes iga põleti regulaatori. Ava grilli kaas ja kontrolli võimalikke gaasilekkeid. Tee lekkekontroll vastavalt juhistele. Paranda võimalikud lekkivad ühendused. Kui viga ei õnnestu leida, võta kontakti gaasipaigaldusfirma või maaletoojaga.

6. Ära teislalda grilli selle kasutamise ajal või siis, kui grill on veel kuum.

7. Ära kasuta või hoia põlevaid materjale, vedelikke või gaase grilli läheduses.

8. Ära kunagi kontrolli gaasileket lahtise tulega.

9. Ära kasuta grilli, kui sellel on midagi viga.

10. Ära eemalda mingeid ühendusi grillist või regulaatorist, kui grill on kasutusel.

11. Ära kunagi jäta grilli selle kasutamise ajal järelevalveta.

12. Ära luba lastel grilli kasutada.

13. Grilli tuleb regulaarselt puhastada. Ole ettevaatlik, et mitte vigastada põletite avasid ja regulaatorite düüse.

14. Eriti grilli põhi, rasvapekk, grillimisplaat ja -rest tuleb puhastada rasvast ja marinaadidest. Rasva põlemise oht.

15. Ära kasuta grilli varikatuse all, seina ääres, garaazhis, elamuautos või -vagnis, paadis, suletud ruumis või siseruumides. Kontrolli, et läheduses ei oleks tuleohtlike materjale. Vaba ruumi peab olema grilli külgedel üks meeter, soovitatavalt rohkem.

16. Soovitame, et grilli hooldataks ja puhastataks vähemalt kord aastas. Kui sa ei tea täpselt, kuidas seadet hooldatakse, ära ürita seda ise teha, vaid lase hooldus teha volitatud gaasihoidusfirmal.

17. Ainult gaasipaigaldusõigustega hooldefirma tohib hooldada ja reguleerida grilli peaventiile, gaasikraane ja ventiilide düüse.

18. Tee grillile alati lekkekontroll, kui võtad selle kasutusele pärast pikka säilitusaega, näiteks kevadel, ning alati, kui vahetad gaasiballooni või oled hankinud süsteemile uusi osi nagu rõhureduktori või gaasivooliku.

19. Grilli kaas peab olema alati lahti, kui seda säilitad.

20. Kasuta grilli kasutamisel kuumakindlaid grillimiskindaid ja tugevaid pika varrega grillimisriistu.

21. Ole valmis võimalikuks õnnetuseks nii, et tead, kus on esmaabipakend ja tulekustuti. Samuti pead oskama neid kasutada.

TEHNILISED ANDMED

Mudel: Cello Argon 4 (502685859)

Koguvõimsus: 12kW

Gaasikulu: Max 872g/h

Töörõhk: 30 mbar

Gaas: Butaan/Propaan

Kasutusklass: I3B/P

Peapõleti düüsi läbimõõt: 0.86mm



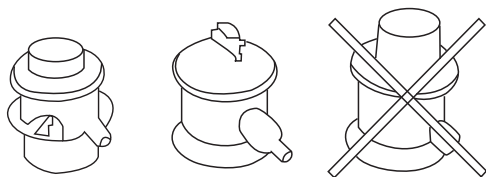
0063-25

HÜÜDNIMI NUMMER: 0063CN7292

ENNE GRILLI KASUTUSELEVÕTTU

Gaasiballoon, gaasivoolik ja reductor

Koos grilliga ei tarnita gaasivoolikut, madalrõhureduktorit ega vooliku pingutusklambreid. Need müüakse eraldi. Osta vähemalt 5 kg ja maksimaalselt 11 kg vedelgaasiballoon, madalrõhureduktor (30 mbar) ja gaasivoolik edasimüüjalt. NB! Ballooniga ühendatav reductor ei tohi olla mingil juhul reguleeritav. Sellel peab olema kiri, et reductori töörõhk on 30 mbar.



Pildil on 30 mbar madalrõhureduktorid, mis on õiged gaasigrillile paigaldamiseks, ning paremal kõrgrõhureduktor, mis on mõeldud vedelgaasile töötavatele tööriistadele. Seda ei tohi gaasigrillil kasutada.

Gaasivoolik peab olema Soomes heakskiidetud, 10 mm läbimõõduga vedelgaasivoolik. Selle maksimaalne pikkus tohib olla 1,2 m.

Kasutage gaasiseadmega EN16129 standardile vastavat madalrõhuregulaatorit ja standardile EN16436 vastavat gaasivoolikut. Voolik peab vastama riiklikele eeskirjadele ning ei tohi olla pikem kui 1,2 meetrit ja läbimõõt 10 mm.

Kasuta grilli all olevat pinda vaid gaasiballooni säilitamiseks. Kui kasutad grilli, võta balloon ohutuse tagamiseks alati grilli alt ära.

Gaasiballooni paigaldamine

1. Kontrolli, et kõik grilli regulaatorid oleksid kinni (OFF).
2. Paigalda gaasivoolik tihedalt madalrõhureduktori osakule ning teine ots grillil olevale voolikuotsakule. Kasuta pingutamiseks voolikuklambreid.
3. Kinnita madalrõhureduktor gaasiballoonile. Kontrolli reductori kinnitust gaasiballoonil, tõmmates seda tugevasti ülespoole.
4. Ava gaas reductorist aeglaselt, et gaasirõhk ühtlustuks.

Gaasiballooni lahtivõtmine

1. Sulge gaasivool reductorist.
2. Kontrolli, et kõik grilli regulaatorid oleksid kinni (OFF).
3. Võta reductor gaasiballoonilt lahti.

Ära vaheta gaasiballooni lahtise tule või hõõguvate süte läheduses.

Grilli kasutuselevõtt

Enne grilli esmakasutust tee sellele täielik lekkek kontroll vastavalt juhenditele. Süüta grill ja kasuta kõiki põleteid maksimaalse võimsusega umbes 5 minutit, kaas avatuna, kuid mitte kauem. Seejärel sulge gaas ja jätka grilli kasutamist maksimaalsel võimsusel veel 2 – 3 minutit. Kui see on tehtud, on grilliit konserveerimismäärded maha põletatud. Lase grillil umbes 15 minutit jahtuda. Puhasta grillimisplaati ja -rest grillipuhastusharjaga. Määri grillimisplaati ja -resti toiduõliga. Nüüd on grill kasutusvalmis.

Lekkek kontroll

Lekkek kontroll tuleb sooritada alati järgmistel juhtudel:

- Enne grilli esmakordset süütamist.
- Iga kord, kui paigaldatakse uus, täidetud gaasiballoon või vahetatakse välja mõni osa.
- Vähemalt kord aastas on soovitatav teha lekkek kontroll, vähemalt kasutushooaja alguses.

Lekkek kontroll tuleb sooritada alati väljas, eemal kuumusest, lahtisest tulest ja

tuleohtlikest vedelikest. Kontrollimise ajal ära suitseta. Kasuta kontrollimiseks alati vaid vedelseebi ja vee lahust suhtes 50/50. Ära kunagi kasuta tuletikke või lahtist tuld.

Lekkekontrolli tegemisel tuleb kontrollida alati järgmisi asju

- Gaasiballooni ventiil ning ballooni keermed.
- Kõik gaasiballooni keevituskohad.
- Reduktori kinnitused ja gaasiballooni ühendused.
- Kõik voolikuühendused ja külgpõleti voolikud, kui need on olemas.

Soorita lekkekontroll järgmisel viisil

- Kasuta hiljuti täidetud ja kontrollitud gaasiballooni, mis on ühendatud grilliga, ning kõik grilli regulaatorid on kinni (OFF).
- Ava reductor.
- Kasutades harja ja seebivett, niisuta kõiki punkti 32.6 mainitud ühendused ja osad.
- V aata tähelepanelikult tekkivaid mulle, mis annavad märku gaasilekkkest.
- Pinguta mullitavas kohas ühendusi, kuni uuesti kontrollides lekke tunnuseid ei ole näha (sule gaas alati, kui parandad lekkivaid kohti).
- Sule reductor ja kontrolli, et reguleerimisventiilid oleksid kinni.

Ära kasuta grilli, kui lekkeid ei ole võimalik parandada. Sule gaasiballooni ventiil ja eemalda gaasiballoon ning võta kontakti müüjaga.

GRILLI KASUTAMINE

Süütamine regulaatori integreeritud piezo-süütajaga (NB! Süütesüsteem on igal reguleerimisnupul).

1. Ava grilli kaas alati, kui süütad põleti.
2. Avagaasivoolballoonistjareduktorist.
3. Vajuta põleti reguleerimisnuppu sissepoole ja pööra vastupäeva suure leegi märgi kohale, ühtaegu kuuled piezo-süütaja naksatust. Pärast seda hoi a nuppu allavajutatult umbes 2 – 3 sekundit, mispeale abileek süütab leegi grilli põletis.

4. Korda punkti 3, kuni leek põletis.
5. Reguleeri põleti leeki, pöörates regulaatorit suure ja väikese võimsuse vahel.
6. Kui leek põletis on süttinud, võib ülejäänud põletid süüdata, pöörates iga põleti reguleerimisnuppu vastupäeva.

Süütamine tuletikuga, kui regulaatori integreeritud piezo- süütaja ei tööta

1. Ava grilli kaas alati, kui süütad grilli.
2. Ava gaasivool balloonist ja madalrõhureduktorist.
3. Süüta alati kõigepealt resti all nähtaval olev põleti. Vajuta regulaatori nuppu sissepoole ning pööra vastupäeva suure leegi märgi kohale.
4. Vii samal ajal põlev tuletikk põleti alumise osani regulaatori nupu alt rasvapleki ja grilli korpuse vahelt. Veendu, et põleti leek on kindlasti süttinud, vaadates läbi resti ja soojusjaotusplaadi.

Kui põleti leek ei ole ikka veel süttinud, vaata põhjust veaotsingu tabelist.

Hoiatus! Ära kunagi kummardu grilli peale, kui süütad või kasutad grilli.

Kui grilli põleti ei süti paljudest katsetest hoolimata 10 sekundi vältel, sule grilli regulaator ja gaasivool balloonist. Jäta kaas lahti ning oota vähemalt 5 minutit, enne kui proovid grilli uuesti süüdata. Nii lendub grilli kogunenud gaas välja.

TÄHELEPANU! Grilli juures asuva kulglaud raam kannab umbes 5kg suurust raskust. Ära ületa kaalu- piirangut.

Grilli kasutamine

1. Ära kasuta rohkem kui üht põletit maksimaalse võimsusega, kui valmistad grillis toitu, kaas kinni. Üldiselt piisab selle ühe põleti võimsusest toidu valmistamiseks.
2. Ära kunagi kasuta rohkem kui kaht põletit täisvõimsusel ühtaegu. Liigne kuumus kahjustab grilli osi.
3. Ära kunagi jäta töötavat grilli hetkekski järelevaleta.

Leegi kandumine põleti all

Tuulise ilmaga on võimalik, et tuul surub leegi põletist ära. Siis jääb leek põlema juhtpaneeli alla. Ühtaegu kuulnud tugev kohisev või korisev heli.

Sellisel juhul tuleb grill viivitamatult kustutada. Kui seda ei tehta, võivad grilli ventiil, juhtpaneel ja reguleerimisnupud viga saada.

Kui leek tuulest tingituna allapoole kandub ja tekkivat kahjustused, siis kindlustus neid ei hüvita.

Grilli kustutamine

1. Keera gaasiballoon kinni.
2. Kui kõik leegid on põletites kustunud, keera põletite regulaatorid kinni, OFF- asendisse. Kontrolli veelkord, et balloonest gaasi ei tule.
3. Võta reductor gaasiballoonist lahti.

Soojusjaotusplaadid

Sellel grillil on põletite kohal soojusjaotusplaadid. Nende eesmärk on jaotada soojust ühtlaselt grillimis- pinnale, takistada kuuma leegi kokkupuudet otse grillitavate toiduainetega ning kaitsta

põleteid toidust tilkuvate rasvade, soolaste vedelike ja marinaadide eest.

Grillis ei ole kasutatud laavakivi.

Soojusjaotusplaadid pannakse grillimisresti all olevate põletite peale. Grillimisplaadi all soojusjaotus- plaate ei kasutata. Sellest tulenevalt on soojusjaotus- plaatide arv erinev põletite arvust.

Ettevalmistused

Enne toiduainete paigutamist grilli tuleb seda kuumendada. Selleks grill süüdatakse ja lastakse leegil põleda maksimaalsel võimsusel umbes 2 – 5 minutit, kaas suletud. Kui valmistatav toit nõuab küpsetamiseks madalamat temperatuuri, keera võimsust regulaatoriga vähemaks, enne kui toiduained grillile paned. Ära kasuta kõiki grilli põleteid maksimaalvõimsusel üheaegselt, sest siis on grill toiduvalmistamiseks liiga kuum ja ühtlasi kulutad liigselt gaasi. Üldiselt piisab, kui korraga põleb üks- kaks põletit ning needki väikese võimsusega. Siin tulevad ka appi grillimiskogemused.

Küpsetusaeg

Seda mõjutavad mitmed asjaolud ning ka grillimiskogemusest on abi. Küpsetusajale võivad mõjuda toorained, grillitavate toiduainete suurus ja isegi ilm. Kogemused näitavad, et palaval päeval on parem kasutada väiksemat võimsust ja külmal ajal jälle suuremat. Parima grillimistunnetuse saab siis, kui proovida valmistada erinevaid toite erineva võimsusega.

Leekide lahvatamine

Leekide lahvatamine võib tõsta grilli sisetemperatuuri liiga kõrgeks ning lisada rasva tilkumist grillitavast toidust, mispeale tekib rasva põlemise oht. Vähesed lahvatused on normaalsed ja soovitatavad, sest need annavad toidule meeldiva grillimaitse. Leekide vaashoidmiseks toimi järgmiselt:

- Eemalda enne grillimist lihalt nähtav rasv.
- Küpseta kana- ja sealiha väiksema võimsusega.

- Veendu, et rasvaeemaldusava grilli põhjas on lahti ja et rasvanõu ei oleks täis. Tühjenda ja pese rasvanõu regulaarselt, eelistatavalt pärast iga kasutuskorda

- Grilli toiduaineid võimaluse korral alati kinnise kaane all ning kasuta võimalikult väikest vajalikku võimsust.

Kui grilli kaas hoitakse kinni, püsib temperatuur ühtlasena ning grill kulutab vähem gaasi. Ka toit ei hakka kinnise kaane all kuivama, seda tänu vedelgaasist eralduvale veeaurule ja grillis ringlevale soojusele.

Marinaadid

Marinaadid on ette nähtud grillitavate toodete maitsestamiseks. Grillis põhjustavad marinaadid toodete kinnipõlemist grillimisrestile või –plaadile. Need võivad valguda grilli alla või süttida.

Kui marineerimine on lõpetatud:

- Enne grillile panekut eemalda lihalt liigne marinaad paberiga pühkides.
- Ära kunagi vala marinaadi grillis olevate toodete peale.
- Ära kunagi pintselda grillitavate või grillitud toodete peale marinaadi, milles on hoitud toorest liha, kana või kala. Toore liha bakterid jõuavad sel viisil valmistoidusse.
- Kui soovitakse lisada grillitud toodetele head maitset või läiget, võib grillimise lõpul pintseldada neid maitsestamiskastmega. Need kastmed tuleb aga eraldi valmistada.

GRILLI HOOLDAMINE, PUHASTAMINE JA SÄILITAMINE

Grilli hooldamine ja puhastamine

Et grill püsiks heas korras ning sellest oleks kasu paljude aastate vältel, tuleb seda ning erinevaid osi ka puhastada ja hooldada. Soorita vähemalt järgmised toimingud alati pärast igat kasutuskorda, kui grill on jahtunud.

Grillimisrestid ja -plaadid

Kui grillimisrestidele ja -plaatidele on jäänud kinni toiduaineid, tegutse järgmises järjestuses:

- Pühi majapidamispaperiga liigne rasv ja marinaadid restidelt maha. Pühi hoolikalt, sest rasva ja marinaade ei tohi jääda grilli – need võivad süttida.
- Süüta grilli põletid vastavalt juhenditele. Sea põletid suurimale võimsusele. Pane grilli kaas kinni.
- Lase põletitel põletada kinnijäänud toiduained, rasv ja marinaad söestumiseni restil ja grillimisplaadil. Kasuta põleteid täisvõimsusel tühjas grillis maksimaalselt 5 minutit, muidu võivad grilli osad liigselt kuumeneda.
- Sule põletid, ava grilli kaas ja lase osadel jahtuda vähemalt 15 minutit, kuni neid on võimalik puudutada.
- Puhasta söestunud toiduained restilt ja grillimis-pinnalt messingharjaga. Hari peab olema tingimata grilli puhastamiseks ettenähtud messinghari. Tavaline terashari on liiga kõva ning rikub grilli osade pindasid. **Terasharja kasutamise jäljed ei käi garantii alla.**
- Lõpuks, kui restid on puhtaks harjatud, pintselda neid toiduõliga. Nüüd on grill järgmiseks kasutuskor-raks valmis.

Grillimisresti ja -plaadi kasutamisest tulenevad kulumine või hoolduse tegematajätmisest ja valest hoidmisest tulenev roostetamine ei kuulu garantii alla.

Grilli muud osad

Grilli puitosad tuleb puhastada järgmisel viisil:

- Kõik puitosad tuleb regulaarselt puhastada seebivee ja niiske lapiga.
- Kuivata puhastatud pinnad hoolikalt.
- Puitosi tuleb töödelda üldiselt kauplustes müüda-vate, õuemööblile mõeldud puhastus ja hooldusva-henditega vähemalt 2 – 3 korda aastas. Sellega takistatakse puitosade kuivamist ja lõhenemist. Kasuta hooldusvahendeid vastavalt nende kasutus-juhiste, kuid kõigepealt proovi nende sobivust puito-sadele. Puhastus- ja hooldusvahendeid on soovitatv katsetada puitosadel, mis ei ole otse nähtaval, näiteks tööpinna all. Nii saab veenduda,

et vastavad ained puitosade puhastamiseks sobivad.

Grilli terasest valmistatud osad tuleb puhastada järgmisel viisil:

- Kõik grilli terasosad tuleb regulaarselt puhastada seebivee ja niiske lapiga.
- Kuivata puhastatud pinnad hoolikalt.
- Juhtpaneelile trükitud tekste ja märke ei tohi puhastada muu kui ainult niiske lapiga. Ära küüri ega kasuta puhastusaineid. Need võivad kustutada juhtpaneeli teksti ja muud märgistused.
- Kõik terasosad nagu grilli kaaneplekk ja juhtpaneel tuleb töödelda üldiselt kauplustes müüdavate terasepuhastus- ja -hooldusvahenditega vähemalt 2 – 3 korda aastas. Näiteks universaalse aerosooliga CRC 5-56. Sellega takistatakse mustuse paakumine ja roostelaikude tekkimine teraspindadele. Kasuta hooldusvahendeid vastavalt nende omadele kasutusjuhenditele, kuid kõigepealt katseta nende sobivust grilli teraspindadele.
- Puhastus- ja hooldusvahendeid on soovitatav enne kasutamist proovida grilli osadel, mis ei ole otse nähtaval, näiteks kaane taganurgas. Nii on võimalik kindlustada vahendi sobivust grilli terasosadele.
- Kasuta puhastus- ja hooldusvahendeid ainult grilli välispindadel.

Grilli all olev rasvanõu:

- Grilli all olev rasvanõu tuleb tühjendada alati, kui sinna on grillist tilkunud marinaade ja rasva. Rasvanõus ei tohi olla suures koguses rasva, sest see võib süttida.
- Pese rasvanõu puhtaks kraanikausis.

Tähelepanu! Rasvanõus olevad rasv ja marinaad võivad süttida. Grilli rasvapõlengust tingitud kahjustused ei käi garantii alla.

Grilli soojusjaotusplaadid tuleb puhastada järgmiselt:

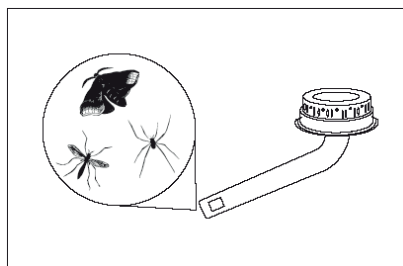
- Kui rest ja grillimisplaat on puhastatud vastavalt juhiste, tõsta need oma kohtadelt ära.
- Puhasta soojusjaotusplaadid grillipuhastusharjaga.

- Võid pesta plaadid ka kraanikausis. Ära pane soojusjaotusplaate nõudepesumasinasse.
- Pärast puhastamist pane soojusjaotusplaadid oma kohtadele tagasi.
- Pane grillimisrest ja -plaat oma kohtadele tagasi.

Soojusjaotusplaatide kasutamisest tulenev kulumine või hoolduse tegematajätmisest ja valest säilitamisest tulenev roostetamine ei käi garantii alla.

Grilli põletid

Grilli põletite ning ventiilide korrasolekut ja tööd tuleb regulaarselt kontrollida. Vähemalt kaks korda aastas tuleb grilli põletid lahti võtta ning kontrollida nende seisukorda. Põletite kõik avad on vaja kontrollida ja puhastada võimalikud ummistunud kohad. Samal ajal tuleb kontrollida, et ventiili düüs oleks puhas. Transportides, grillimiskordade vaheajal või säilitamisel on võimalik, et väikesed putukad, näiteks ämblikud, võivad pääseda gaasitorudesse, pesitseda seal või kududa oma võrkusid.



See võib takistada gaasi pääsu etteandektorusse, põhjustada suitseva kollaka leegi põletis või takistada põleti leegi süttimist täielikult. See võib isegi põhjustada gaasi põlemise etteandektorust väljaspool, mille tagajärjel võib grill oluliselt viga saada.

Kui nii juhtub, sule gaas ja oota grilli jahtumist. Kui grill on jahtunud, võta põleti juhendite kohaselt lahti ja puhasta gaasitorud harja või piibupuhastusvahendiga. Paigalda põleti tagasi vastavalt juhenditele ning veendu, et gaasitorud on paigaldatud gaasiventiliide otsakute peale.

Kui gaas on süttinud väljaspool etteandektoru, kontrolli grilli kõigi osade

seisukorda, enne kui grilli uuesti süütad. Kui mõni osa on vigastatud, ära kasuta grilli. Võta kontakti maaletoojaga.

Gaasitorud tuleb puhastada regulaarselt, eriti kasutushooaja alguses.

Grillile antud garantii ei kata ummistunud gaasitorudest või ummistunud ventiilidüüsid tulenevaid kahjustusi.

Põletid puhastatakse järgmiselt:

- Eemalda grillimisrest ja -plaat ning soojusjaotusplaat.
- Eemalda põleti grilli tulekastist, keerates lahti kruvi, millega põleti on kinnitatud. Kruvi on põleti tagaosas.
- Kasuta peent traati põleti avade puhastamiseks. Kui põletid on vigastatud või väga roostes, vaheta vigane põleti uue vastu võimalikult kiiresti.
- Kontrolli ühtaegu, et ventiili düüs oleks puhas.

Kui põletid on heas korras, pane need tagasi oma kohale õigesse asendisse.

- V eendu, et põletit grilli tagasi paigaldades läheks ventiili düüs põleti gaasiavasse.
- Kinnita põleti grilli tulekasti külge kruviga.
- Pane soojusjaotusplaat ning grillimisrest ja -plaat oma kohtadele tagasi.

Põletite kasutamisest tulenev kulumine või nende roostetamine ei käi garantii alla.

Grilli säilitamine

Kui grillimishooaeg on läbi ning paned grilli talveks hoiule, soorita vähemalt järgmised toimingud:

- Puhasta grill põhjalikult. Pese grilli osad nõudepesuharja ja seebiveega. Pese grilli tulekast ja kaas ka seestpoolt.
- Pane grill uuesti käima ja hoiu seda nii umbes 20 minutit põhjalikuks kuivatamiseks.
- Lase grillil jahtuda.
- Puhasta grillipuhastusharjaga grillimisrest ja -plaat.
- Määri resti ja grillimisplaati toiduõliga.
- Võta põletid lahti vastavalt juhendile.
- Kääri põletid, rest ja grillimisplaat, soojendusrest ning soojusjaotusplaadid

ajalehepaberisse nii, et õhk ligi pääseks, ning hoiu neid kuivas ja soojas siseruumis.

- Töötle grilli puitosad puiduõliga.
- Võta reduktor gaasiballoonist lahti.

Kui hoiad grilli väljas, muretse sellele kaitsekate, mida müüakse lisavarustusena. Korralik kate kaitseb grilli üleni ning püsib paigal ka kõva tuulega. Hoolitse selle eest, et õhk pääseks kaitsekatte alla. Grilli tuleb hoida vähemalt varikatuse all nii, et see ei jääks kunagi otse vihma või lume kätte. Hoolitse selle eest, et varikatusest kukkuv lumi grilli ei vigastaks.

Katuselt kukkunud lume või tuule tõttu ümbermineku tagajärjel tekkinud vigastused ei käi garantii alla.

Grilli siseruumides säilitatavad osad

Järgmisi grilli osi peab üle talve säilitama kuivas siseruumis:

- Malmist grillimisrest ja grillimisplaat
- Soojendusrest
- Põletid
- Soojusjaotusplaadid

Gaasiballooni säilitamine

Kui grill ei ole kasutusel, tuleb gaasiballoon sulgeda. Gaasiballooni tuleb säilitada väljas, hästi ventileeritavas kohas. Ära pane gaasiballooni hoiule garaaži, keldrisse, pööningule või kütteseadmete kõrvale.

GARANTII JA GARANTIIPROBLEEMIDE LAHENDAMINE

Garantii

Grillil ja selle osadel on kaheaastane tootmis- ja materjaligarantii. Hoiu ostutšekk alles, tee sellest koopia ning lisa käesolevale kasutusjuhendile garantiitunnistusena. Garantiiprobleemide lahendamisel tuleb ostukoht ja -kuupäev kindlalt tõendada.

Garantii ei kata osade normaalset kulumist, puitosade väändumist või lõhenemist, osade või pindade roostetamist, roostest tulenevaid kahjustusi, samuti seadme valest

kasutamisest või hoolduse tegematajätmisest johtuvaid vigu või jälgi.

Teraspindade värvimuutus, täppide tekkimine ja tumenemine on kasutamisel ja aja jooksul normaalne. Teraspindadele võib eriti niiskes ja soolases keskkonnas tekkida roostetäppe. Terasel hooldusainete juhenditekohane kasutamine on eriti tähtis. Need võimalikud roostetäpid ei takista seadme kasutamist ning on teraspindadel normaalne nähtus. Seega ei käi nende võimalik tekkimine osade pindadele garantii alla.

Kui tootel või selle osadel ilmneb garantiiajal vigu, võta otse kontakti grilli maaletoojaga. Maaletooja sooritab kõik garantiitoimingud. Vigase või puuduva osa asemele saadab maaletooja uue osa, kuid ei vastuta selle grillile paigaldamise eest. Ise kokkupandavate grillide puhul vastutab klient alati osa grillile paigaldamise eest vastavalt juhenditele. Nende juhiste täitmatajätmise puhul kaotab garantii kehtivuse ning kasutamine ei vasta toote tõendile.

Garantii ei kehti, kui toodet kasutatakse ärilistel toiduvalmistamis-, müügi- või rendieesmärkidel.

Järgmised grilli osad kuuluvad kasutamisel ning nende kasutamisest tulenev kulumine või roostetamine ei käi garantii alla:

- Malm- või roostevabast torust valmistatud põletid;
- Grillimisrestid ja -plaadid
- Soojendusrest
- Soojusjaotusplaadid

Garantiiasjade korraldamine

Kui tootel või selle osal ilmneb garantiiajal viga või grilli osi jääb kokkupanekul puudu, võta kontakti grilli müügikohaga.

Enne garantiinõuete esitamist loe hoolikalt läbi kasutusjuhend ning kontrolli, et garantiinõue ei tuleneks kasutusjuhendite vastasest kasutamisest või hooldustoimingute tegematajätmisest.

Garantiinõudega seoses tuleb esitada grilli müügikohta järgmised andmed:

- Grilli mark ja mudel;
- Reklamatsiooni põhjus
- Vigase osa number vastavalt osade loetelule
- Ostutšeki koopia või selgitus müügikohast ning ostukuupäev;
- Kasutaja nimi, telefoninumber, aadress ja postiindeks.

VEAOTSING

| Probleem | Võimalikud põhjused | Lahendused |
|--|---|--|
| Põleti ei sütti tuletiku või süütajaga | <ul style="list-style-type: none"> • Põleti avad on umbes | <ul style="list-style-type: none"> • Puhasta põleti avad |
| Põletid ei anna piisavalt kuumust | <ul style="list-style-type: none"> • Gaasiballooni ventiil on kinni • Põletid ei ole grilli ventiilide küljes korralikult kinni • Põletite õhuvõtt on umbes • Gaasi on liiga vähe või see on otsas • Reduktor ei ole gaasiballoonile korralikult kinnitatud • Gaasivool on takistatud | <ul style="list-style-type: none"> • Ava gaasiballooni ventiil • Kontrolli grilli põletite kinnitust ventiilidele • Puhasta põleti või vaheta uue vastu • Paigalda täidetud gaasiballoon • Kontrolli reduktori kinnitust gaasiballoonile • Sea gaasivoolik sirgeks |
| Leek on kollane ja suitseb | <ul style="list-style-type: none"> • Põleti õhuvõtuavad on umbes • Põleti pinnal on palju soola või marinaadi | <ul style="list-style-type: none"> • Puhasta õhuvõtuavad • Puhasta põletid |
| Põleti süttib tuletikuga, kuid mitte süütajaga | <ul style="list-style-type: none"> • Juhtme kontakt on halb • Süütaja või elektrood ei tööta • Halb maandus • Süütaja on rikkis | <ul style="list-style-type: none"> • Kontrolli, et ühendused oleksid korralikult pingutatud • Kontrolli, et põleti ja süütaja oleksid õigesti paigaldatud • Vaheta süütaja välja |
| Leek kustub aeg-ajalt | <ul style="list-style-type: none"> • Tugev tuul • Gaas on lõpukorral | <ul style="list-style-type: none"> • Vii grill tuulevarju • Paigalda täidetud gaasiballoon |
| Liigselt kuumust ja ülemäärased leegid | <ul style="list-style-type: none"> • Väga rasvane toit • Rasva äravool grillist on takistatud • Küpsetatav toode ei ole õiges kohas | <ul style="list-style-type: none"> • Eemalda rasvased kohad ja vähenda põleti võimsust • Puhasta rasvakogur ja põletid • Paiguta küpsetatav toode õigesse kohta |
| Leegid võimsuse reguleerimiskonsooli all | <ul style="list-style-type: none"> • Põleti ummistunud • Tugev tuul | <ul style="list-style-type: none"> • Sulge viivitamatult gaasiballooni kraan, lase grillil jahtuda ja puhasta põletid |
| Reduktor suriseb | <ul style="list-style-type: none"> • See ei ole viga või ohuolukord | <ul style="list-style-type: none"> • Mööduv nähtus, mis tuleneb välisõhu kõrgest temperatuurist ja täis gaasiballoonist |
| Ebapiisav leek | <ul style="list-style-type: none"> • Leek põleb tugevalt kollasena | <ul style="list-style-type: none"> • Puhasta grilli põleti või vaheta uue vastu ning kontrolli põleti ummistusi |
| Leek on liiga suur | <ul style="list-style-type: none"> • Kasutusel on vale reduktor | <ul style="list-style-type: none"> • Paigalda 30 mbar reduktor |

VISPĀRĪGIE NORĀDĪJUMI

Iegādājoties šo gāzes grilu, jūs uzņematies izlasīt visas šajā rokasgrāmatā iekļautās montāžas, lietošanas, kopšanas un apkopes instrukcijas. Pirms ierīces lietošanas izlasiet visus norādījumus un padomus. Pirms gāzes grila lietošanas rūpīgi izlasiet un ievērojiet visus brīdinājumus un drošības norādījumus. Rūpīgi ievērojiet visus ar iedarbināšanu un ekspluatāciju saistītos norādījumus. Lai izvairītos no traumām, uzmanīgi lietojiet metāla detaļas. Ievērojiet darbību secību.

ŠIS GRILS IR PAREDZĒTS LIETOŠANAI TIKAI ĀRPUS TELPĀM.

ATVĒRTĀS GRILA KONSTRUKCIJAS, IESPĒJAMĀS TĀUKU NOPLŪDES UZ DETAĻĀM UN TĀUKU NOPLŪDES ĀRPUS GRILA DĒĻ, NELIETOJIET GRILU JUTĪGU VIRSMU TUVUMĀ VAI UZ TĀM. MARINĀDES TĀUKI VAR NOPLŪST ZEM GRILA, UZ APAKŠĒJĀS PLĀKSNES VAI UZ SKAPIŠA, UN TĀUKU/MARINĀDES ŠĻAKATAS VAR NOKĻŪT UZ APKĀRTĒJĀM VIRSMĀM. IZMANTOJOT GRILU, TĀUKU NOPLŪDES VAI ŠĻAKATAS IR PILNĪGI NORMĀLS PROCESS.

GRILS IR APLIECINĀTS AR CE MARKĒJUMU UN APSTIPRINĀTS SASKAŅĀ AR SPĒKĀ ESOŠAJIEM TIESĪBU AKTIEM.

IR AIZLIEGTS VEIKT JEBKĀDAS GRILA KONSTRUKCIJAS IZMAIŅAS. SALIEKOT GRILA KONSTRUKCIJU, NEDRĪKST IZLAIST NEVIENU SASTĀVDAĻU VAI PIEVIENOT KONSTRUKCIJAI CITAS DETAĻAS.

AR GRILU SAISTĪTI BRĪDINĀJUMI UN DROŠĪBAS NORĀDĪJUMI

1. Grils ir paredzēts lietošanai tikai ārpus telpām.
2. Grila lietošana jebkādiem citiem mērķiem, kuriem tas nav paredzēts, var būt bīstama.
3. Pēc lietošanas vienmēr izslēdziet gāzes padevi no gāzes balona.

4. Ievērojiet visus montāžas norādījumus. Norādījumu neievērošana var radīt lietošanas problēmas.
5. Lietošanas laikā grils sakarst – esiet uzmanīgs, ja tuvumā ir mājdzīvnieki, bērni vai vecāki cilvēki.
6. Ja jūtat spēcīgu gāzes smaku, nekavējoties izslēdziet gāzes padevi no gāzes balona. Nodzēsiet visas liesmas, aizverot katra degļa regulatoru. Atveriet grila vāku un pārbaudiet, vai nav noplūdes. Veiciet noplūdes pārbaudi saskaņā ar norādījumiem. Salabojiet visas noplūdes vietas savienojumos. Ja nevarat atrast defektu, sazinieties ar kvalificētu gāzes iekārtu apkopes pakalpojumu sniedzēju vai importētāju.
7. Nepārvietojiet grilu, kamēr tas tiek lietots vai vēl ir karsts.
8. Grila tuvumā nedrīkst izmantot vai uzglabāt degošus materiālus, šķidrumus vai gāzes.
9. Nekad nepārbaudiet noplūdes ar atklātu liesmu.
10. Neizmantojiet grilu, ja ir radušies bojājumi.
11. Kamēr lietojat grilu, nedrīkst atvienot gāzes savienojumus no grila vai regulatora.
12. Nekad neatstājiet grilu bez uzraudzības tā lietošanas laikā.
13. Neļaujiet bērniem lietot grilu.
14. Grils ir regulāri jātīra. Veicot tīrīšanu, esiet uzmanīgs, lai nesabojātu degļa atveres un regulatora sprauslas.
15. Jo īpaši grila lejasdaļa, pilienu paplāte, grila plāksne un režģis ir jātīra no taukiem un marinādēm. Tauku aizdegšanās risks!
16. Nelietojiet grilu zem nojumes, pie sienas, garāžā, autofurgonā vai trailerī, uz kuģa, slēgtā teritorijā vai iekštelpās. Pārbaudiet, vai tuvumā nav viegli uzliesmojošu vai degošu materiālu. Ap grilu jābūt vismaz 1 metram (vēlams vairāk) brīvas vietas visos virzienos.
17. Mēs iesakām veikt grila apkopi un tīrīšanu vismaz reizi gadā. Ja neesat pārliecināts, kā veikt ierīces apkopi, tā vietā, lai to darītu pats, sazinieties ar pilnvarotu gāzes iekārtu apkopes pakalpojumu sniedzēju.
18. Grila galveno vārstu, gāzes krānu un vārstu sprauslu apkopi un regulēšanu drīkst veikt tikai kvalificēts gāzes iekārtu apkopes pakalpojumu sniedzējs.
19. Pirms grila lietošanas pēc ilgākas uzglabāšanas (piemēram, pavasarī) un pēc katras gāzes balona nomaiņas vai jaunu sastāvdaļu (piemēram, spiediena regulatora vai gāzes šļūtenes) uzstādīšanas, vienmēr veiciet noplūdes pārbaudi.

20. Aizdedzinot grilu, vākam vienmēr jābūt atvērtam.

21. Lietojot grilu, izmantojiet karstumizturīgus grila cimdus un izturīgus grila piederumus ar gariem rokturiem.

22. Esiet gatavs iespējamiem negadījumiem: pārlicinieties, vai zināt pirmās palīdzības aptieciņas un ugunsdzēsāmā aparāta atrašanās vietu un protat tos izmantot.

TEHNISKĀS SPECIFIKĀCIJAS

Modelis: Cello Argon 4 (502685859)

Kopējā jauda

Galvenie degļi: 12kW


Gāzes patēriņš: Max 872g/h

Darba spiediens: 30 mbar

GĀZE: Butaan/Propan

GĀZES VEIDS: I3 B/P

Galvenā degļa sprauslas diametrs: 0.86mm

 0063-25

PIN KODS: 0063CN7292

PIRMS GRILA LIETOŠANAS

Gāzes balons, gāzes šļūtene, spiediena regulators

Ražotājs nepiegādā gāzes šļūteni, zemspiediena regulatoru un šļūtenes skavas. Šīs detaļas jāiegādājas atsevišķi. Iegādājieties SNG balonu (min. 5 kg, maks. 11 kg), zema spiediena regulatoru (30 mbar) un gāzes šļūteni no sava izplatītāja. Piezīme. Pie balona pieslēgtais regulators nedrīkst būt regulējams, un uz tā jābūt norādītam darba spiedienam 30 mbar.

Attēlā redzami 30 mbar zemspiediena regulatori ir piemēroti gāzes grilam, savukārt augstspiediena regulators labajā pusē ir paredzēts SNG instrumentiem un to nedrīkst izmantot ar gāzes grilu. Izmantotajai gāzes šļūtenei jābūt 10 mm SNG šļūtenei, kas apstiprināta lietošanai jūsu valstī; tās garums nedrīkst pārsniegt 1,2 m.

Ar gāzes ierīci izmantojiet zema spiediena regulatoru, kas atbilst standartam EN16129, un gāzes šļūteni, kas atbilst standartam EN16436. Šļūtenei jāatbilst valsts noteikumiem, un tās garums nedrīkst pārsniegt 1,2 metrus un diametru 10 mm.

Regulāri pārbaudiet gāzes šļūtenes stāvokli. Nolietota vai bojāta šļūtene ir jānomaina. Uzglabāji-
et gāzes šļūteni tālu no karstām grila daļām. Pārlicinieties, vai gāzes šļūtene nav savīta tā, ka gāzes plūsma caur šļūteni ir ierobežota.

Gāzes balona uzstādīšana

1. Pārbaudiet, vai visi grila slēdži ir izslēgtā (OFF) pozīcijā.
2. Gāzes šļūteni cieši piestipriniet pie zemspiediena regulatora šļūtenes savienojuma, bet otru šļūtenes galu – pie šļūtenes savienojuma uz grila. Stiprināšanai izmantojiet šļūtenes skavas.
3. Pievienojiet zemspiediena regulatoru gāzes balonam. Pārbaudiet regulatora savienojumu ar gāzes balonu, strauji pavelkot regulatoru uz augšu.
4. Lēnām atveriet gāzes padevi no zemspiediena regulatora, lai stabilizētu gāzes spiedienu.

Gāzes balona noņemšana

1. Izmantojiet zemspiediena regulatoru, lai apturētu gāzes plūsmu.
 2. Pārbaudiet, vai visi grila slēdži ir izslēgtā (OFF) pozīcijā.
 3. Atvienojiet zemspiediena regulatoru no gāzes balona.
- Nenoņemiet gāzes balonu atklātas liesmas vai ogļu tuvumā.

Pirms pirmās lietošanas reizes

Pirms grila pirmās lietošanas reizes veiciet pilnu noplūdes pārbaudi saskaņā ar norādījumiem. Aizdedziniet grilu un ar atvērtu vāku izmantojiet visus degļus maksimālā jaudā (MAX) aptuveni 5 minūtes (bet ne ilgāk). Pēc tam aizveriet vāku un turpiniet lietot grilu ar maksimālo jaudu vēl 2–3 minūtes. Kad tas tiks izdarīts, tauku atlikumi būs sadeguši. Atstājiet grilu atdzist apmēram 15 minūtes. Notīriet režģi un grilēšanas plāksni ar BBQ tīrīšanas birsti. Apsmērējiet režģi un grilēšanas plāksni ar eļļu. Tagad grils ir gatavs lietošanai.

Noplūdes pārbaude

Noplūdes pārbaude vienmēr ir jāveic šādos gadījumos:

- pirms grila aizdedzināšanas pirmo reizi;
- katru reizi, kad tiek uzstādīts jauns gāzes balons vai nomainīta kāda detaļa.
- Mēs iesakām šo pārbaudi veikt vismaz reizi gadā pirms katras grilēšanas sezonas.

Noplūdes pārbaudi vienmēr veiciet ārpus telpām, tālu no karstuma, atklātas liesmas un degošiem šķidrumiem. Pārbaudes laikā nedrīkst smēķēt. Noplūdes pārbaudei vienmēr izmantojiet 50/50 šķidro ziepju/ūdens šķīdumu. Nekādā gadījumā nelietojiet sērkociņus vai atklātu liesmu.

Veicot noplūdes pārbaudi, vienmēr pārbaudiet šādus parametrus

- Gāzes balonu vārstus un balonu vītnes.
- Visas gāzes balona metinājuma šuves.
- Regulatora montāžu un gāzes balonu savienojumus.
- Visus šļūtenes savienojumus (tai skaitā sānu degļa šļūtenes, ja tādas ir).

Veiciet šādu noplūdes pārbaudi

- Izmantojiet nesen piepildītu un pārbaudītu gāzes balonu, kas pieslēgts grila ierīcei ar visiem grila savienotajiem pozīcijā OFF.
- Atveriet spiediena regulatoru.
- Ar suku un ziepju/ūdens šķīdumu samitriniet visus savienojumus un sastāvdaļas.
- Rūpīgi pārbaudiet, vai nerodas burbuļi (gāzes noplūdes pazīmes).
- Ja blakus savienojumiem parādās burbuļi, nostipriniet savienojumus, līdz atkārtotajā pārbaudē nerodas noplūdes pazīmes (noplūdes novēršanas laikā vienmēr jāizslēdz gāzes padeve).
- Aizveriet spiediena regulatoru un pārlicinieties, vai regulēšanas vārsti ir aizvērti. Neizmantojiet grilu, ja neizdodas novērst noplūdi. Aizveriet gāzes balona vārstu, atvienojiet gāzes balonu un sazinieties ar importētāju.

GRILA IZMANTOŠANA AIZDEDZINĀŠANAS INSTRUKCIJAS

1. Atveriet vāku. Pagrieziet visus regulēšanas slēdžus • pozīcijā.
2. Atveriet gāzes balona vārstu. Pagaidiet 5 sekundes.
3. Nospiediet regulēšanas slēdzi uz leju un pagrieziet to pretēji pulksteņrādītāju kustības virzienam, lai sasniegtu # pozīciju. Pēc klikšķa skaņas deglis aizdegas. Ja nepieciešams, atkārtojiet 3–4 reizes.
4. Ja deglis neaizdegas, pagrieziet regulēšanas slēdzi • pozīcijā un pagaidiet 5 minūtes. Atkārtojiet

5. punktā norādītās darbības vai aizdedziniet ar sērkociņu.
6. Kad deglis būs aizdedzies, atkārtojiet 3. punktā norādītās darbības ar citiem degļiem.
7. Noregulējiet jaudu, pagriežot regulēšanas slēdžus.

Aizdedzināšana ar sērkociņu pjezo aizdedzes kļūmes gadījumā

Grila kurtuves labajā pusē ir atvērts caurums, kur grilu var aizdedzināt ar garu sērkociņu.

1. Pirms grila aizdedzināšanas vienmēr atveriet vāku.
2. Ieslēdziet gāzes padevi no balona un zema spiediena regulatoru.
3. Kamēr kurtuve ir atvērta, novietojiet blakus deglim degošu sērkociņu.
4. Nospiediet un pagrieziet labās puses regulēšanas slēdzi līdz # pozīcijai. Aplūkojot režģi un siltuma sadales paneli, pārlicinieties, vai deglis ir pilnībā aizdedzies.

Ja deglis joprojām neaizdegas, skatiet problēmu novēršanas tabulu.

Brīdinājums! Aizdedzinot vai lietojot grilu, nekad neliecieties virs tā.

Ja, neraugoties uz atkārtotiem mēģinājumiem, deglis 10 sekunžu laikā neaizdegas, izslēdziet grila regulatoru un pārtrauciet gāzes padevi no balona. Atstājiet vāku atvērtu un uzgaidiet vismaz 5 minūtes, pirms atkal mēģināt aizdedzināt grilu. Šādā veidā gāze, kas uzkrājas grillā, varēs izplūst.

Sānu degļa aizdedzināšana

Izmantojiet regulēšanas slēdzi no sānu degļa regulēšanas paneļa.

1. Pirms degļa aizdedzināšanas vienmēr atveriet sānu degļa vāku.
2. Ieslēdziet gāzes padevi no balona un zema spiediena regulatoru.
3. Nospiediet regulēšanas slēdzi uz leju un pagrieziet to pretēji pulksteņrādītāju kustības virzienam līdz lielās liesmas pozīcijai. Vienlaikus atskanēs klikšķis. Pēc klikšķa turiet regulēšanas slēdzi nospiestu apakšā 2–3 sekundes.
4. 3. punktā norādītās darbības atkārtojiet 3–4 reizes.

5. Noregulējiet degļa liesmu, ieslēdzot regulatoru starp lielu un mazu jaudu.

Ja deglis neaizdegas, skatiet problēmu novēršanas tabulu vai aizdedziniet ar garu sērkokciņu.

Piezīme. Sānu galda rāmis ir paredzēts maksimāli 5 kg svaram. Nepārsniedziet svara ierobežojumu.

Grila lietošana

1. Gatavojot ēdienu ar aizvērtu grila vāku, neizmantojiet vairāk kā vienu degli ar maksimālo jaudu.

Vairākumā gadījumu ēdiena pagatavošanai pietiek ar vienu degli ar pilnu jaudu.

2. Nekad vienlaikus neizmantojiet vairāk kā divus degļus ar maksimālo jaudu. Pārmērīgs karstums var sabojāt grila detaļas.

3. Nekad neatstājiet funkcionējošu grilu bez uzraudzības pat uz īsu brīdi.

Liesmas izvadīšana no degļa

Vējainā laikā vējš var novirzīt liesmu no degļa. Šādos gadījumos liesma deg zem regulēšanas paneļa. Tajā pašā laikā var dzirdēt skaļu rūkoņas vai švīkstošu troksni.

Grils ir nekavējoties jāizslēdz. Ja grils nebūs izslēgts, var tikt bojāts grila vārsts, regulēšanas panelis un regulēšanas slēdži.

Garantija neattiecas uz bojājumiem, kas radušies vēja izraisītas liesmas noplūdes dēļ.

Grila izslēgšana

1. Aizveriet gāzes padevi no balona uz grilu.

2. Kad visas degļa liesmas būs izdzisušas, pagrieziet degļa regulēšanas slēdžus izslēgtā (OFF) pozīcijā. Vēlreiz pārliedziniet, vai gāzes padeve no balona ir izslēgta.

3. Atvienojiet spiediena regulatoru no gāzes balona.

Liesmu savaldītāji

Šis grils ir aprīkots ar liesmas savaldītājiem virs degļiem. Liesmu savaldītāji ir paredzēti vienmērīgai karstuma sadalei pa grila laukumu, neļaujot karstām liesmām tieši saskarties ar grilējamiem ēdieniem un pasargājot degļus no taukiem, sāļajiem šķidrumiem un marinādēm, kas pilnā mērā ir ēdieniem. Šajā grilā nedrīkst izmantot lavas akmeņus.

Liesmu savaldītāji jānovieto uz degļiem zem grila

režģa. Zem tukšas grilēšanas plāksnes nav jāizmanto liesmu savaldītājs. Tāpēc liesmu savaldītāju skaits var atšķirties no degļu skaita.

Sagatavošana

Pirms ēdiena gatavošanas grils ir jāuzsilda. Šim nolūkam aizdedziniet grilu un izmantojiet to ar maksimālo jaudu (MAX) aptuveni 3–5 minūtes ar nolaistu vāku. Ja gatavotajam ēdienam nepieciešama zemāka gatavošanas temperatūra, pirms ēdiena ievietošanas izmantojiet regulēšanas slēdžus, lai pazeminātu temperatūru. Nekad neizmantojiet visus grila degļus vienlaikus ar maksimālo jaudu, pretējā gadījumā grils būs pārāk karsts ēdiena gatavošanai un gāze tiks izšķiesta. Vienlaikus parasti pietiek ar

Gatavošanas laiks

To ietekmē vairāki faktori, un pieredze grilēšanā ir ļoti būtiska. Nepieciešamais laiks var būt atkarīgs no izejvielām, grilējamā ēdiena lieluma un pat laika apstākļiem. Pieredze liecina, ka karstā dienā labāk darbojas mazāks jaudas iestatījums, savukārt aukstā dienā labvēlīgāks var būt lielāks jaudas iestatījums. Mēģiniet gatavot dažādus ēdienus, izmantojot dažādus iestatījumus, lai iegūtu vislabāko rezultātu.

Uzliesmojumi

Uzliesmojumi var pārmērīgi paaugstināt temperatūru grila iekšpusē un pastiprināt tauku pilēšanu no gatavotajiem ēdieniem, tādējādi palielinot tauku aizdegšanās risku. Nelieli uzliesmojumi ir normāla un labvēlīga parādība, kas pastiprina patīkamo grila garšu. Lai kontrolētu uzliesmojumus, ievērojiet šos padomus:

- Pirms cepšanas uz grila no gaļas noņemiet redzamos taukus.
- Vistas gaļu un cūkgaļu gatavojiet ar zemāku jaudas iestatījumu.
- Pārliedziniet, vai tauku noteces atvērums uz grila lejasdaļas ir atvērts un vai pilienu noteces paplāte nav pilna. Regulāri iztukšojiet un mazgājiet pilienu paplāti, vēlams pēc katras lietošanas reizes.
- Ja iespējams, vienmēr gatavojiet ar nolaistu vāku un izmantojiet minimālo jaudas iestatījumu.

Ja vāks ir nolaists, temperatūra grila iekšpusē saglabājas nemainīga un tiek patērēts mazāk gāzes. Turklāt ēdiens neizžūst, ja vāks ir nolaists, pateicoties ūdens tvaikiem un siltumam, ko izdala SNG cirkulācija grila iekšpusē.

Marinādes

Marinādes ir paredzētas grilēta ēdiena garšas piešķiršanai. Grila iekšpusē marinādes izraisa ēdiena pielipšanu pie grila režģa vai grilēšanas plāksnes, var notecēt zem grila vai aizdegties.

Ja sastāvā ir marināde:

- Pirms ēdiena ievietošanas grilā noslaukiet lieko marinādes daudzumu.
- Nekad neļaujiet marinādi uz grilēta ēdiena, kamēr tas atrodas grila iekšpusē.
- Nekad neuzklājiet marinādi, kurā ir bijusi glabāta jēla gaļa, vistas gaļa vai zivis, uz grilētiem ēdieniem ar BBQ birsti. Pretējā gadījumā baktērijas no jēlas gaļas nonāks ēdienā.
- Ja grilētajam ēdienam vēlaties piešķirt garšu vai spīdumu, pēdējā gatavošanas posmā ar otu uz ēdiena uzklājiet nedaudz barbekjū mērces. Mērces vienmēr gatavojiet atsevišķi.

APKOPE, TĪRĪŠANA UN UZGLABĀŠANA

Grila apkope un tīrīšana

Lai nodrošinātu labu grila stāvokli un optimālu kalpošanu gadu gaitā, grils un tā detaļas ir jātīra un jāuzkopj. Pēc katras lietošanas reizes, tiklīdz grils ir atdzisis, veiciet vismaz šādas darbības.

Grila režģi un plāksnes

Ja grilētais ēdiens ir pielipis pie grilēšanas režģiem vai plāksnēm, rīkojieties šādi:

- Ar papīra dvieli noslaukiet no režģa pārpalikušos taukus un marinādi. Esiet uzmanīgs – neatstājiet taukus vai marinādi grila iekšpusē, jo tie var aizdegties.

- Aizdedziniet degļus saskaņā ar norādījumiem. Iestatiet degļus maksimālajā jaudā. Aizveriet grila vāku.

- Ļaujiet degļiem sadedzināt ēdiena atliekas, taukus un marinādi, kas pielipusi pie režģa un grila virsmas. Tukšā grilā izmantojiet degļus ar pilnu jaudu ne ilgāk kā piecas minūtes, pretējā gadījumā grila sastāvdaļas var pārkarst.

- Aizveriet degļus, atveriet vāku un ļaujiet sastāvdaļām atdzist vismaz 15 minūtes, līdz tām var droši pieskarties.

- Izmantojiet misiņa grilēšanas birsti, lai no režģa un grilēšanas virsmas noņemtu piedegušo ēdienu. Šim nolūkam drīkst izmantot tikai īpaši grila tīrīšanai paredzētu birsti. Parastās tērauda birstes ir pārāk cietas un bojā grila detaļu virsmas. Garantija neattiecas uz tērauda birstes lietošanas sekām.

- Visbeidzot, kad režģi ir tīri, uzklājiet uz tiem nedaudz cepamās eļļas, padarot grilu gatavu nākamajai lietošanai.

Garantija neattiecas uz grilēšanas režģa un plāksnes nodilumu vai koroziju, kas radusies parastas lietošanas, nepareizas apkopes vai nepareizas uzglabāšanas dēļ.

Citas grila detaļas

Grila koka detaļas ir jātīra šādi:

- Visas koka detaļas regulāri jātīra, mazgājot ar ziepju / ūdens šķīdumu un noslaukot ar mitru drānu.

- Rūpīgi nosusiniet notīrītās virsmas.

- Koka detaļas vismaz 2–3 reizes gadā jāapstrādā ar veikalos pieejamiem āra mēbeļu tīrīšanas līdzekļiem. Tas novērš koka detaļu izžūšanu un plīšanu. Lietojiet produktus saskaņā ar to lietošanas instrukcijām, bet pārliecinieties, vai tie ir piemēroti koka detaļām. Pirms lietošanas izmēģiniet tīrīšanas un kopšanas līdzekļus uz kādas koka detaļas, kas nav tieši redzama, piemēram, uz sānu galdiņa apakšējās daļas. Tas nodrošina produkta saderību ar koka detaļām.

Grila tērauda daļas jātīra šādi:

- Visas tērauda daļas regulāri jātīra, mazgājot ar ziepju / ūdens šķīdumu un noslaukot ar mitru drānu.
- Rūpīgi nosusiniet notīrītās virsmas.
- Uz regulēšanas paneļa uzdrukātos tekstus un attēlus drīkst noslaucīt tikai ar mitru drānu. Neberzējiet virsmu un nelietojiet nekādus mazgāšanas līdzekļus. Mazgāšanas līdzeklis var atdalīt tekstus vai citus regulēšanas paneļa markējumus.
- Visas tērauda daļas, piemēram, grila vāks un regulēšanas panelis, vismaz 2–3 reizes gadā jāapstrādā ar veikalos pieejamiem tērauda tīrīšanas un apkopes līdzekļiem, teiksim, CRC 5-56 universālo aerosolu. Tas novērš piemaisījumu pielipšanu un rūsas plankumu rašanos uz tērauda virsmām. Lietojiet kopšanas līdzekļus saskaņā ar norādījumiem, bet pārlicinieties, vai tie ir piemēroti grila tērauda virsmām. Pirms lietošanas ietiecams izmēģināt tīrīšanas un kopšanas līdzekļus uz kādas tērauda detaļas, kas nav tieši redzama, piemēram, vāka aizmugurējā stūrī. Tas nodrošina produkta saderību ar grila tērauda daļām.
- Tīrīšanas un apkopes līdzekļus izmantojiet tikai uz grila ārējām virsmām.

Pilienu paplāte zem grila:

Katru reizi, kad no grila pil marinādes un tauku pilieni, ir jāiztukšo zem grila esošā pilienu paplāte. Izvairieties no tauku pilienu veidošanās uz paplātes, jo tie var aizdegties.

Notīriet pilienu paplāti, nomazgājot to virtuves izlietnē. Pilienu paplātes tīrīšanu var atvieglot, pārklājot to ar cepamā papīra kārtu un alumīnija folijas kārtu. Izmantojiet nelielus akmentiņus, lai tos noturētu vietā. Kad tauki un marināde ir notecējuši, noņemiet un izmetiet foliju un cepamo papīru. Nenovietojiet smiltis uz pilienu paplātes.

Uzmanību! Tauki un marināde uz pilienu paplātes var aizdegties. Garantija neattiecas uz tauku degšanas izraisītiem grila bojājumiem.

Liesmu savaldītāji jātīra šādi:

- Kad režģi un grilēšanas plāksne ir iztīrīti saskaņā ar norādījumiem, izvelciet tos no to atrašanās vietas.
- Notīriet siltuma sadales paneļus, izmantojot BBQ tīrīšanas suku.

- Varat arī mazgāt siltuma sadales paneļus virtuves izlietnē. Paneļu mazgāšanai neizmantojiet trauku mazgājamo mašīnu.
- Pēc tīrīšanas novietojiet liesmu savaldītājus atpakaļ.
- Ielieciet atpakaļ režģi un grilēšanas plāksni.

Garantija neattiecas uz siltuma sadales paneļu nodilumu vai koroziju, kas radusies parastas lietošanas, nepareizas apkopes vai nepareizas uzglabāšanas dēļ.

Degļi

Regulāri jāpārbauda grila degļu un vārstu stāvoklis un funkcionalitāte. Vismaz divas reizes gadā atvienojiet degļus un pārbaudiet to stāvokli. Jāpārbauda visas degļa atveres un jānovērš iespējamie aizsprotējumi. Vienlaikus pārbaudiet, vai vārsta sprausla ir tīra.

Transportēšanas / glabāšanas laikā vai starp grilēšanas reizēm mazi kukaiņi (piemēram, zirnekļi) var ielīst gāzes padeves caurulēs un veidot tur ligzdas vai tīklus.

Tas var novērst gāzes nonākšanu Venturi caurulē, izraisot dzeltenīgu, dūmakainu liesmu pie degļa vai padarot degļa aizdedzināšanu neiespējamu. Tas var izraisīt pat gāzes sadegšanu ārpus padeves caurules, kas var sabojāt grilu.

Šādu problēmu gadījumā aizveriet gāzes padevi un pagaidiet, līdz grils atdziest. Kad grils ir atdzisis, noņemiet degli saskaņā ar norādījumiem un notīriet Venturi caurules ar birstīti vai cauruļu tīrītāju. Uztādiet degli saskaņā ar instrukcijām un pārlicinieties, vai gāzes padeves caurules ir uzstādītas uz gāzes vārsta sprauslām.

Ja gāzes liesmas ir aizdegušās ārpus Venturi caurules, pirms grila atkārtotas aizdedzināšanas pārbaudiet visu tā detaļu stāvokli. Ja detaļas ir bojātas, nelietojiet grilu. Sazinieties ar importētāju.

Gāzes padeves caurules ir regulāri jātīra, jo īpaši katras grilēšanas sezonas sākumā. Grilam piešķirtā garantija neattiecas uz bojājumiem, kas radusies aizsērējušu gāzes padeves cauruļu vai aizsērējušas vārsta sprauslas dēļ.

Lai iztīrītu degļus, rīkojieties šādi:

- Noņemiet grila režģi, grilēšanas plāksni un liesmu savaldītājus.
- Noņemiet degļi no grila kurtuves, atskrūvējot degļa fiksācijas skrūvi. Skrūve atrodas degļa aizmugurē.
- Lai iztīrītu degļa atveres, izmantojiet plānu stiepli. Pēc iespējas ātrāk nomainiet bojātus vai stipri sarūsējušus degļus.
- Vienlaikus pārbaudiet, vai vārsta sprausla ir tīra.

Ja degļi ir labā stāvoklī, uzstādiet tos atbilstošā pozīcijā.

- Atkārtoti uzstādot degļi uz grila, pārliecinieties, vai vārsta uzgalis ir ievietots degļa gāzes padeves atverē.
- Piestipriniet degļi pie grila kurtuves, izmantojot fiksācijas skrūvi.
- Uzlieciet atpakaļ liesmu savaldītājus, režģi un grilēšanas plāksni.

Garantija neattiecas uz degļu nodilumu vai koroziju, kas saistīta ar lietošanu.

Uzglabāšana

Kad grilēšanas sezona ir beigusies un grils ir jāglabā ziemā, veiciet vismaz šādus pasākumus:

- Rūpīgi iztīriet grilu. Nomazgājiet grila detaļas, izmantojot trauku mazgāšanas birsti un ziepju / ūdens šķīdumu. No iekšpuses nomazgājiet arī grila degļa kasti un vāku. Rūpīgi noskalojiet.
- Atkārtoti salieciet grilu un ieslēdziet to uz aptuveni 20 minūtēm, līdz tas ir pilnīgi sauss.
- Pagaidiet, kamēr grils atdzīsis.
- Notīriet režģi un grilēšanas plāksni, izmantojot BBQ tīrīšanas birsti.
- Apsmērējiet režģi un grilēšanas plāksni ar eļļu.
- Noņemiet degļus saskaņā ar norādījumiem.
- Degļus, režģi un grilēšanas plāksni, sildīšanas paliktņi un liesmu savaldītājus brīvi ietiniet avīzē un uzglabājiet tos sausā un siltā vietā iekštelpā.
- Apstrādājiet grila koka detaļas ar koka eļļu.
- Atvienojiet spiediena regulatoru no gāzes balona.

Ja grilu plānojat uzglabāt ārpus telpām, izmantojiet piemērotu aizsargpārklājumu, kas tiek pārdots atsevišķi. Šāds aizsargpārklājums aizsargā grilu no augšas līdz apakšai un paliek vietā pat vējinā laikā. Pārliecinieties, vai zem aizsargpārklājuma ir nodrošināta gaisa cirkulācija. Grils vienmēr jāuzglabā vismaz zem jumta, pasargājot no tieša lietus vai sniega. Pārliecinieties, vai no jumta krītošais sniegš nevar sabojāt grilu.

Garantija neattiecas uz bojājumiem, kas radušies sniega krišanas vai stipra vēja dēļ (grila apgāšanās).

Grila detaļas, kas jāuzglabā iekštelpās

Šādas grila detaļas ziemas laikā jāglabā telpās, sausā vietā:

- Čuguna režģis un grila plāksne
- Sildīšanas plaukts
- Degļi
- Liesmu savaldītāji

Gāzes balona uzglabāšana

Ja grils netiek lietots, gāzes plūsma no balona uz grilu ir jāizslēdz. Gāzes balons jāuzglabā ārā, labi vēdināmā vietā. Gāzes balonu nedrīkst glabāt garāžā, pagrabā, bēniņos vai blakus sildītājam.

GARANTIJA UN GARANTIJAS PROCEDŪRA

Garantija

Šim grilam un tā detaļām ir divu gadu ražošanas un materiālu garantija. Saglabājiet pārdošanas čeku, izveidojiet čeka kopiju un pievienojiet to šiem norādījumiem, lai izmantotu kā garantijas apliecību. Garantijas gadījumos jābūt iespējai pārbaudīt pirkuma vietu un pirkuma datumu.

Garantija neattiecas uz detaļu parastu nolietojumu, koka detaļu deformēšanos vai plīšanu, detaļu vai virsmu koroziju, korozijas izraisītiem defektiem, defektiem un bojājumiem, kas radušies nepareizas ierīces lietošanas vai neatbilstošas apkopes dēļ.

Tērauda virsmu iekrāsošanās, plankumu veidošanās un tumšāka krāsa ir normālas lietošanas un laika gaitā izraisītas sekas. Īpaši mitrā un sālā vidē iespējama tērauda virsmu punktveida korozija, tāpēc ir ļoti svarīgi lietot tērauda kopšanas līdzekļus saskaņā ar instrukcijām. Šāda iespējama punktveida korozija netraucē ierīces lietošanu, un tās rašanās ir pilnīgi normāla tērauda virsmām, tāpēc uz to neattiecas garantija.

Ja garantijas laikā atklājat produkta vai produkta detaļas defektu, lūdzu, sazinieties ar grila iegādes vietu. Importētājs nodrošinās visas garantijas procedūras. Importētājs piegādās jaunu detaļu bojātās vai trūkstošās detaļas vietā, taču nebūs atbildīgs par jaunās detaļas uzstādīšanu. Pašmontētu grilu gadījumā klients vienmēr ir atbildīgs par detaļu nomaiņu saskaņā ar grila lietošanas instrukcijām. Minēto norādījumu neievērošana anulē garantiju un lietošana neatbilst produkta sertifikāta prasībām.

Produkta izmantošana komerciālai ražošanai, pārdošanai vai iznomāšanai anulē garantiju. Tālāk norādītās grila detaļas ir pakļautas nodilumam, kas rodas lietošanas dēļ, tāpēc garantija neattiecas uz to nodilumu vai koroziju izmantošanas dēļ.

- Čuguna vai nerūsējošā tērauda cauruļu degļi
- Grila režģi un grilēšanas plāksnes
- Sildīšanas plaukts
- Liesmu savaldītāji
- Tauku paplāte

Garantija

Ja garantijas laikā izstrādājumam vai tā detaļai tiek atklāts defekts vai ja, montējot grilu, tiek atklāts detaļu trūkums, sazinieties ar iegādes vietu.

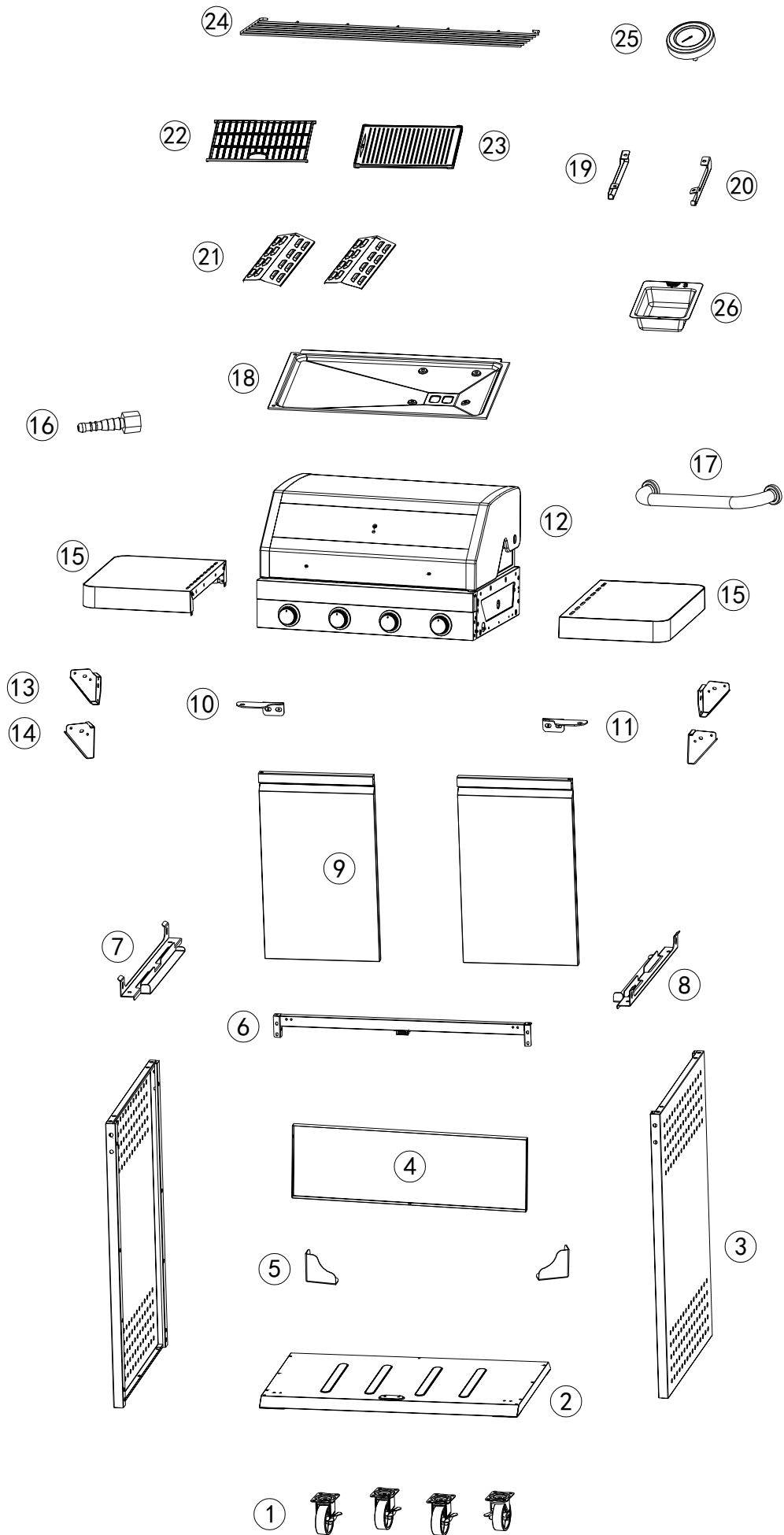
Pirms garantijas pretenzijas iesniegšanas rūpīgi izlasiet lietošanas instrukciju un pārliedcinieties, vai pretenzija nav saistīta ar nepareizu lietošanu vai nepietiekamu apkopi.

Garantijas jautājumos iegādes vietai ir jāiesniedz šādi dati:


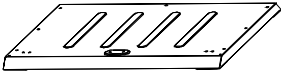
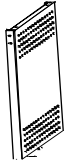
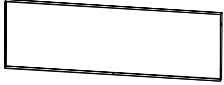
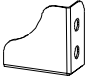

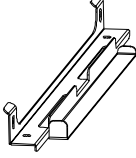
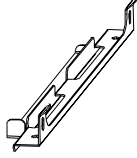

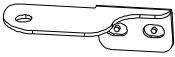

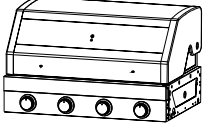
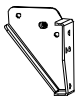
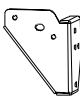
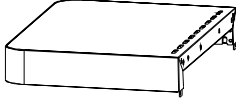
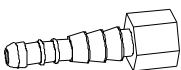

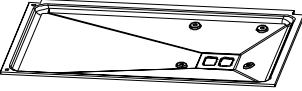


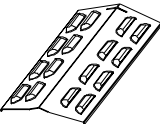

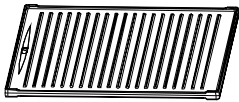



- Grila zīmols un modelis
- Pretenzijas cēlonis
- Bojātās detaļas numurs saskaņā ar detaļu sarakstu

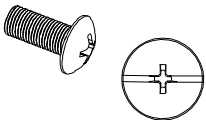
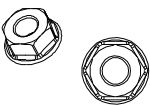
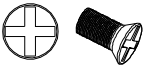
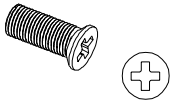

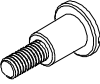

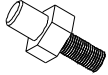
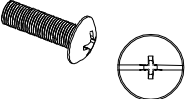
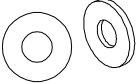
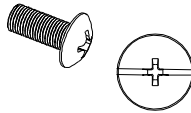
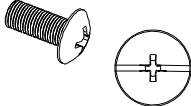
PROBLĒMU NOVĒRŠANAS ROKASGRĀMATA

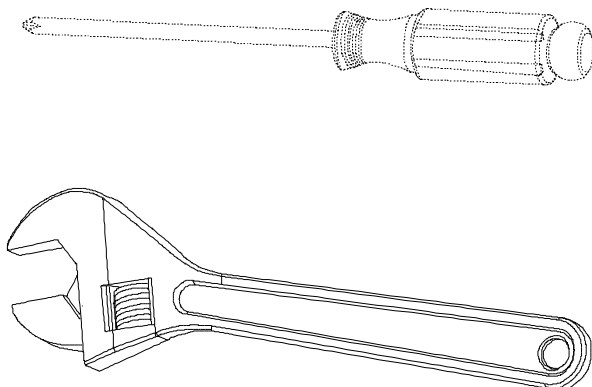
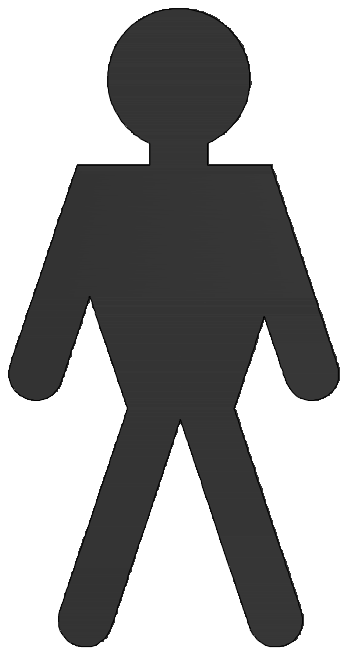
| Problēma | Iespējamie cēloņi | Risinājums |
|--|---|--|
| Nav iespējams aizdedzināt degļi (ar aizdedzinātāju vai sērkokociņu) Degļi neizdala pietiekami daudz siltuma | • Degļa atveres ir aizsprostotas | • Notīriet aizsprostojumus |
| | • Gāzes balona vārsts nav atvērts | • Atveriet gāzes balona vārstu |
| | • Degļi ir nepareizi piestiprināti pie grila vārstiem | • Pārliedcinieties, vai grila degļi ir piestiprināti pie vārstiem |
| | • Degļa gaisa ieplūde ir bloķēta | • Iztīriet vai nomainiet degļi |
| | • Balons ir tukšs vai gandrīz tukšs | • Nomainiet to pret jaunu balonu |
| | • Regulators ir nepareizi piestiprināts pie balona | • Pārbaudiet regulatora savienojumu ar balonu |
| Dzeltena, dūmakaina liesma | • Degļa gaisa ieplūdes atveres ir aizsprostotas | • Notīriet aizsprostojumus |
| | • Liels sāls vai marinādes daudzums uz degļu virsmām | • Notīriet degļus |
| Degļi var aizdedzināt ar sērkokociņu, taču ne ar aizdedzinātāju | • Slikts vadu savienojums | • Pārbaudiet visu savienojumu hermētiskumu |
| | • Bojāts aizdedzinātājs vai elektrods | • Pārliedcinieties, vai deglis un aizdedzinātājs ir pareizi uzstādīti |
| | • Nepietiekams zemējums | |
| Liesmas nodziest | • Bojāts aizdedzinātājs | • Nomainiet aizdedzinātāju |
| | • Vējaini laika apstākļi | • Pārvietojiet grilu tālāk no vēja |
| Pārmērīga karstuma uzliesmojumi | • Balons ir gandrīz tukšs | • Nomainiet balonu |
| | • Ar taukiem bagāts ēdiens | • Nogrieziet liekos taukus un samaziniet degļa jaudu |
| | • Bloķēta tauku aizplūšana no grila | • Notīriet tauku uztvērēju un degļus |
| Liesmas zem regulēšanas paneļa | • Gatavais ēdiens ir nepareizi novietots | • Pareizi novietojiet gatavo ēdienu |
| | • Aizsprostoti degļi | • Nekavējoties izslēdziet gāzi, ļaujiet grilam atdzist un iztīriet degļus |
| Liesma ir pārāk liela | • Spēcīgs vējš | • Īslaicīga situācija, ko izraisījusi augsta ārējā gaisa temperatūra un pilns balons |
| | • Tas nav defekts vai bīstama parādība | |
| Nepilna liesma | • Liesma ir redzami dzeltena | • Iztīriet vai nomainiet degļi un pārbaudiet, vai deglis nav aizsprostots |
| Liesma ir pārāk liela | • Ir izmantots nepareizs spiediena regulatora tips. | • Nomainiet pret 30 mbar spiediena regulatoru |



CELLO

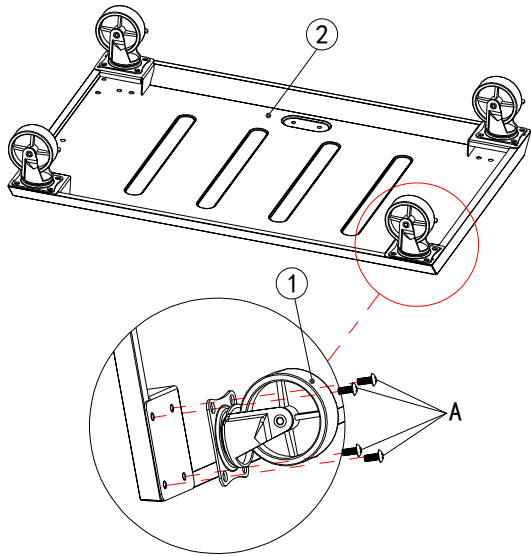
| | | | |
|---|---|---|---|
| <p>① *4</p>  | <p>② *1</p>  | <p>③ *2</p>  | <p>④ *1</p>  |
| <p>⑤ *2</p>  | <p>⑥ *1</p>  | <p>⑦ *1 (L)</p>  | <p>⑧ *1 (R)</p>  |
| <p>⑨ *2</p>  | <p>⑩ *1 (L)</p>  | <p>⑪ *1 (R)</p>  | <p>⑫ *1</p>  |
| <p>⑬ *2 (B)</p>  | <p>⑭ *2 (F)</p>  | <p>⑮ *2</p>  | <p>⑯ *1</p>  |
| <p>⑰ *1</p>  | <p>⑱ *1</p>  | <p>⑲ *1 (L)</p>  | <p>⑳ *1 (R)</p>  |
| <p>㉑ *2</p>  | <p>㉒ *1</p>  | <p>㉓ *1</p>  | <p>㉔ *1</p>  |
| <p>㉕ *1</p>  | <p>㉖ *1</p>  | | |

| | | | |
|---|---|---|---|
| <p>A M5-10*41</p>  | <p>B M6*8</p>  | <p>C M4-10*4</p>  | <p>D M5-12*10</p>  |
| <p>E *1</p>  | <p>F M6-22*8</p>  | <p>G M4-8*2</p>  | <p>H *4</p>  |
| <p>I M6-15*2</p>  | <p>J ϕ 28-2*1</p>  | <p>K M5-16*8</p>  | <p>L M5-10*4 (SS)</p>  |
| | | | |



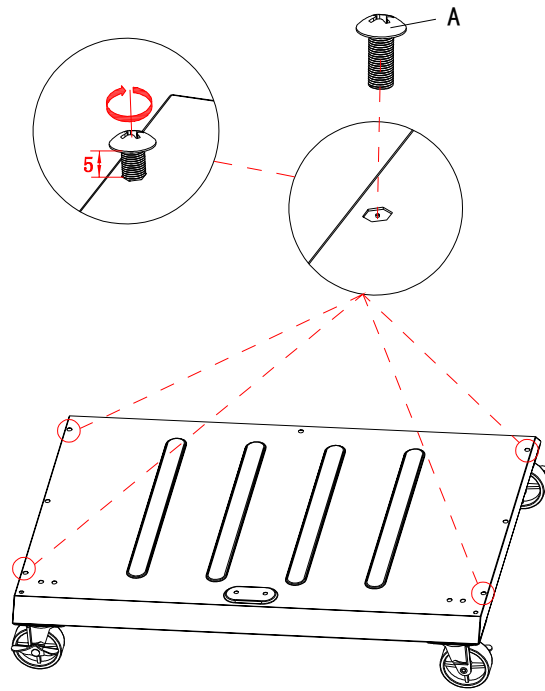
CELLO

1



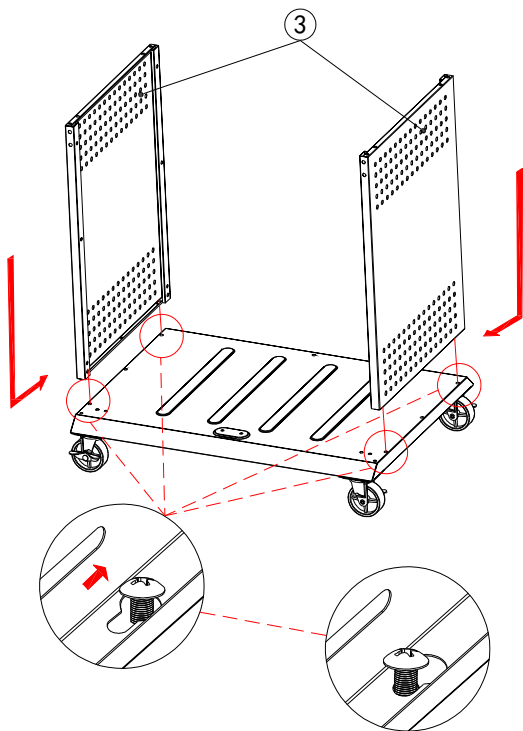
| | | |
|---|--|-------|
| A |  | 16PCS |
|---|--|-------|

2

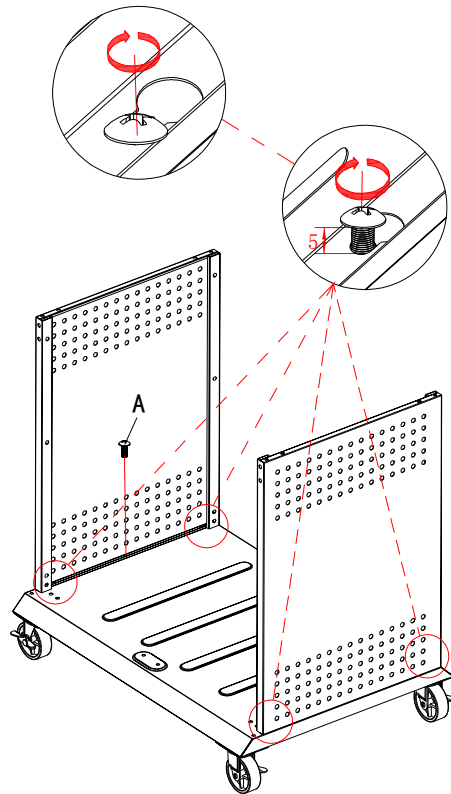


| | | |
|---|--|------|
| A |  | 4PCS |
|---|--|------|

3

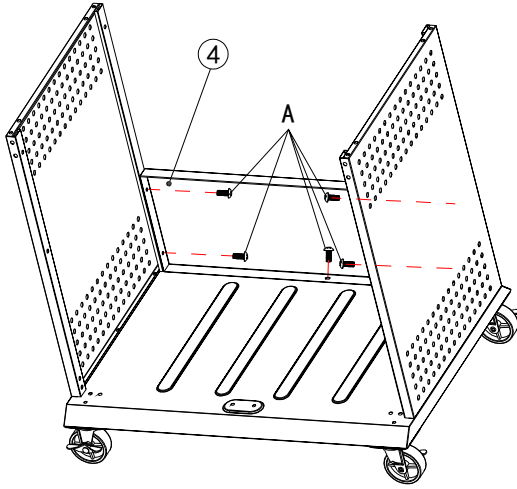


4



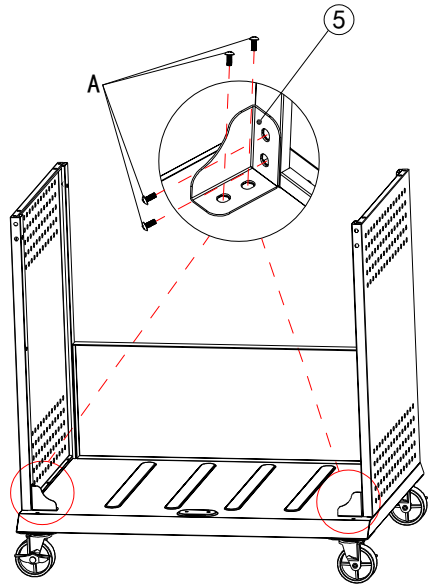
| | | |
|---|---|------|
| A |  | 2PCS |
|---|---|------|

5



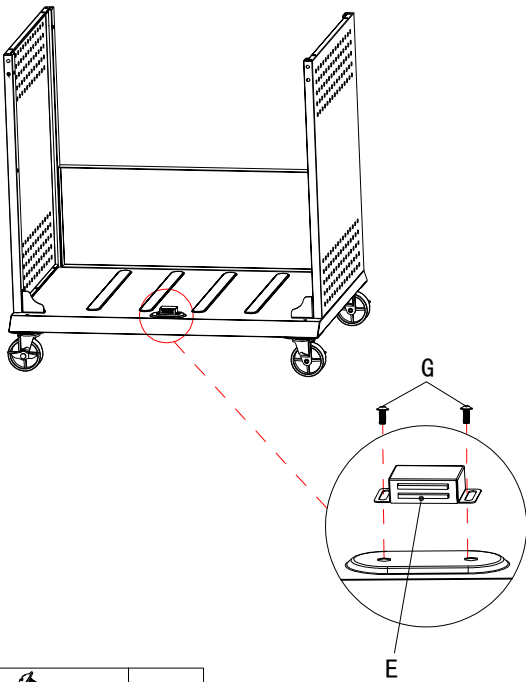
| | | |
|---|--|------|
| A |  | 5PCS |
|---|--|------|



6



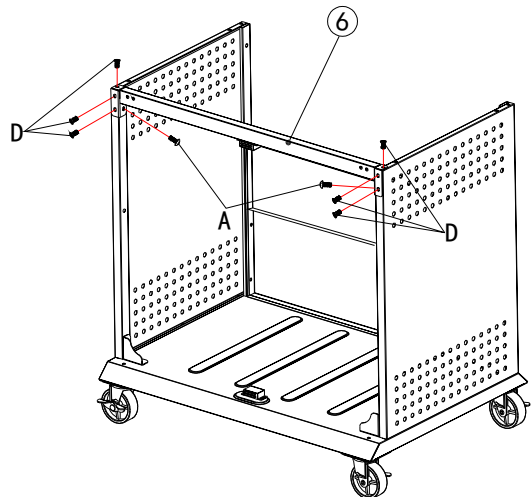
| | | |
|---|--|------|
| A |  | 8PCS |
|---|--|------|



7



| | | |
|---|---|------|
| G |  | 2PCS |
| E |  | 1PC |

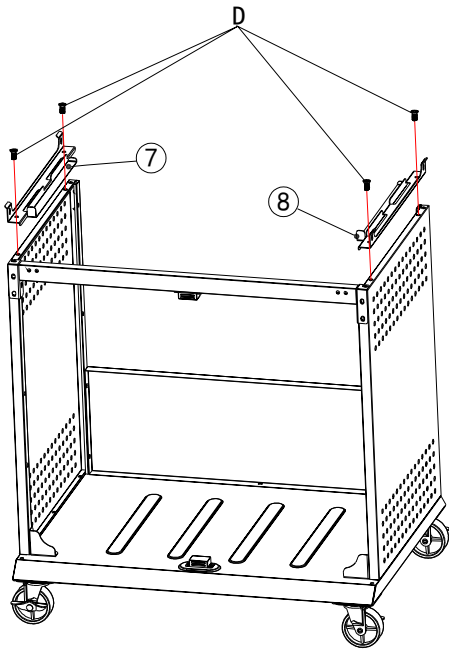
8



| | | |
|---|---|------|
| A |  | 2PCS |
| D |  | 6PCS |

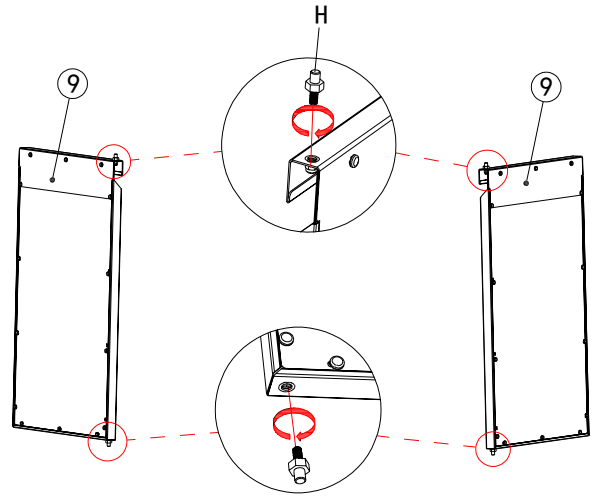
CELLO

9



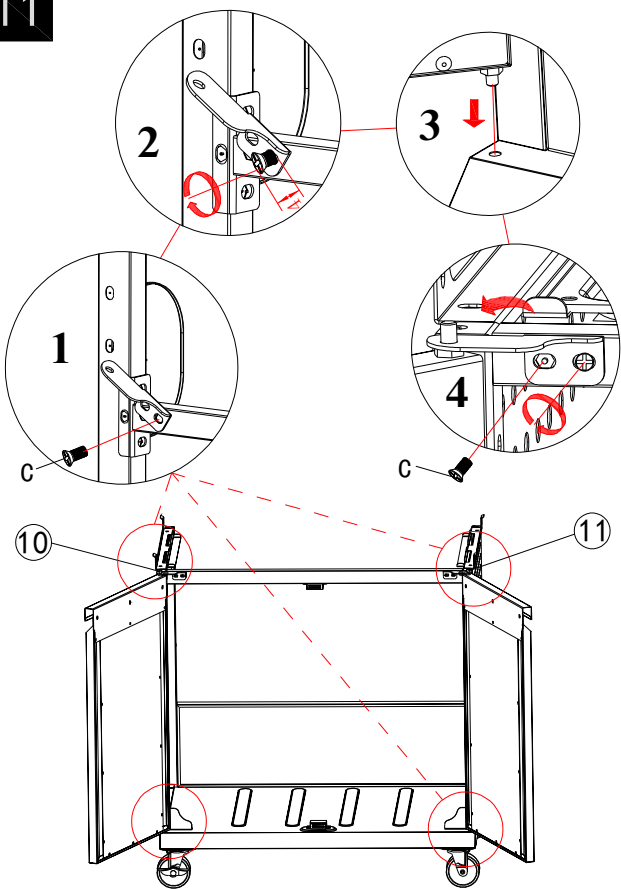
| | | |
|---|--|------|
| D |  | 4PCS |
|---|--|------|

10



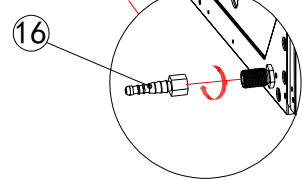
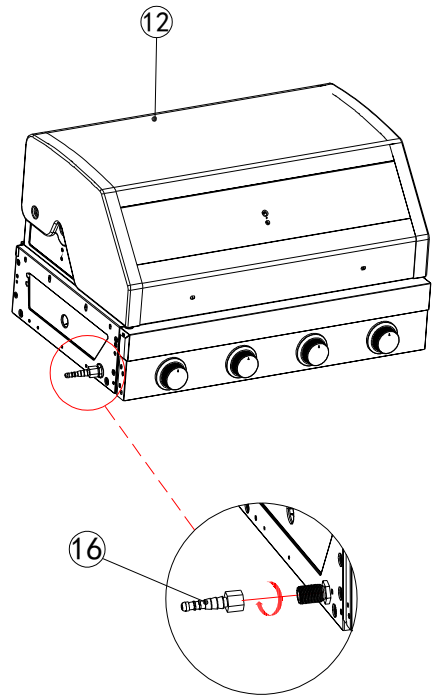
| | | |
|---|--|------|
| H |  | 4PCS |
|---|--|------|

11

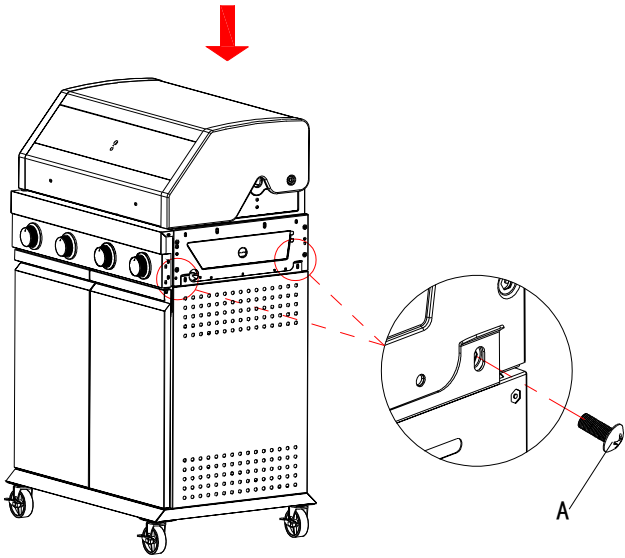



| | | |
|---|---|------|
| C |  | 4PCS |
|---|---|------|

12

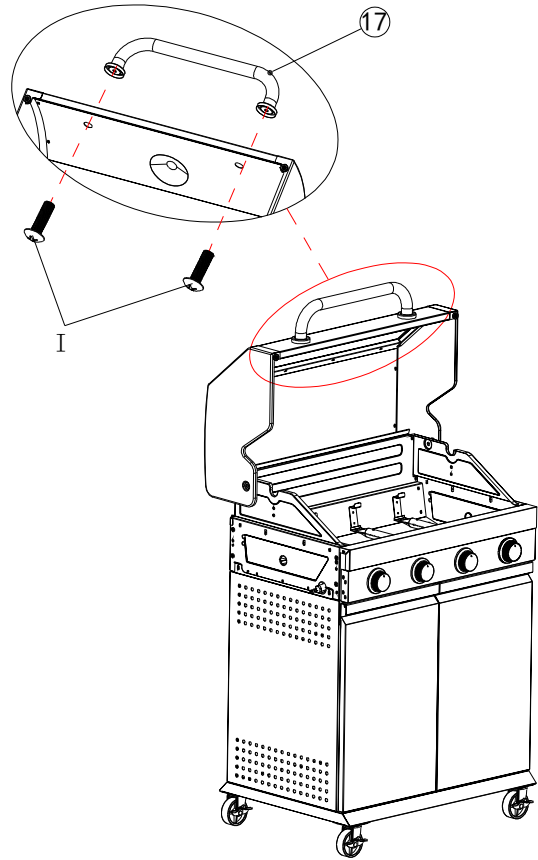



13



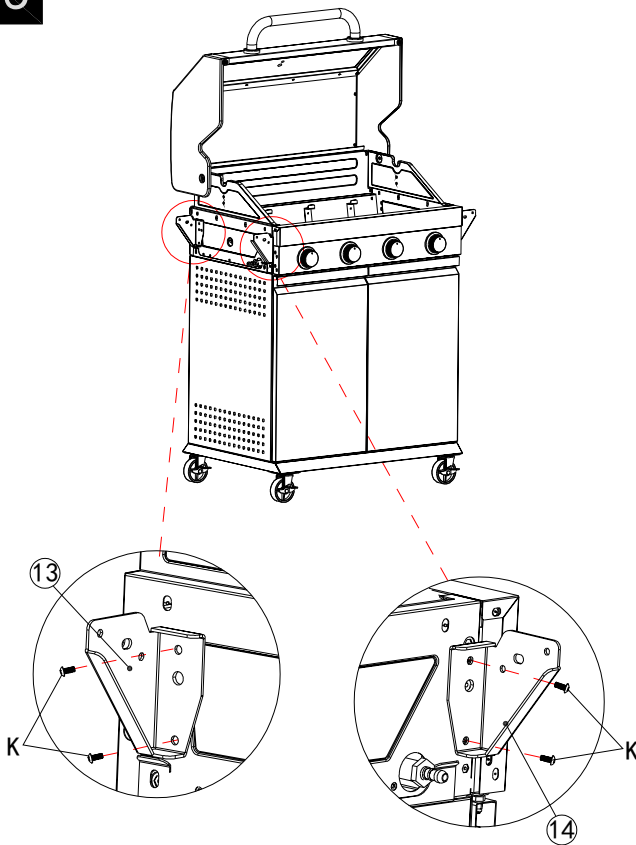
| | | |
|---|--|------|
| A |  | 4PCS |
|---|--|------|

14



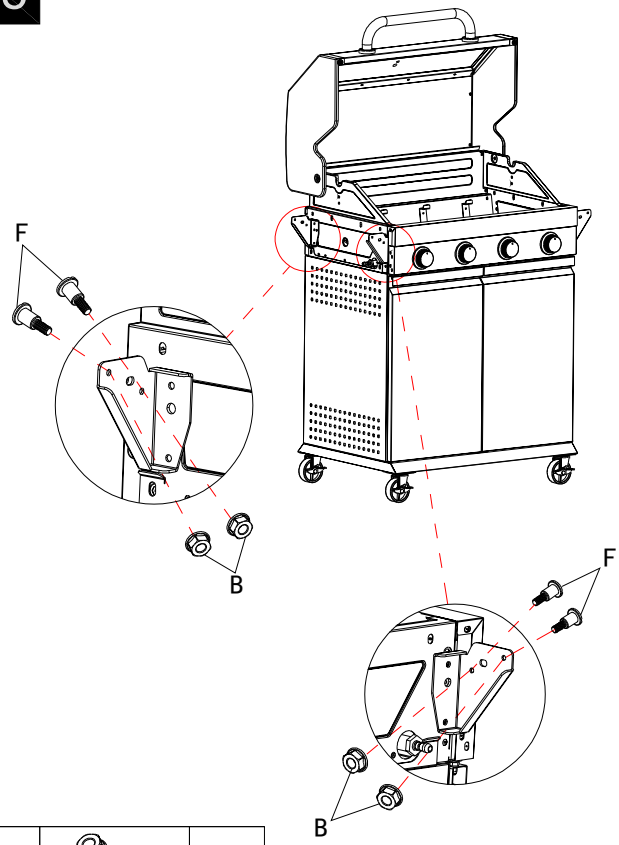
| | | |
|---|--|------|
| I |  | 2PCS |
|---|--|------|



15



| | | |
|---|---|------|
| K |  | 8PCS |
|---|---|------|

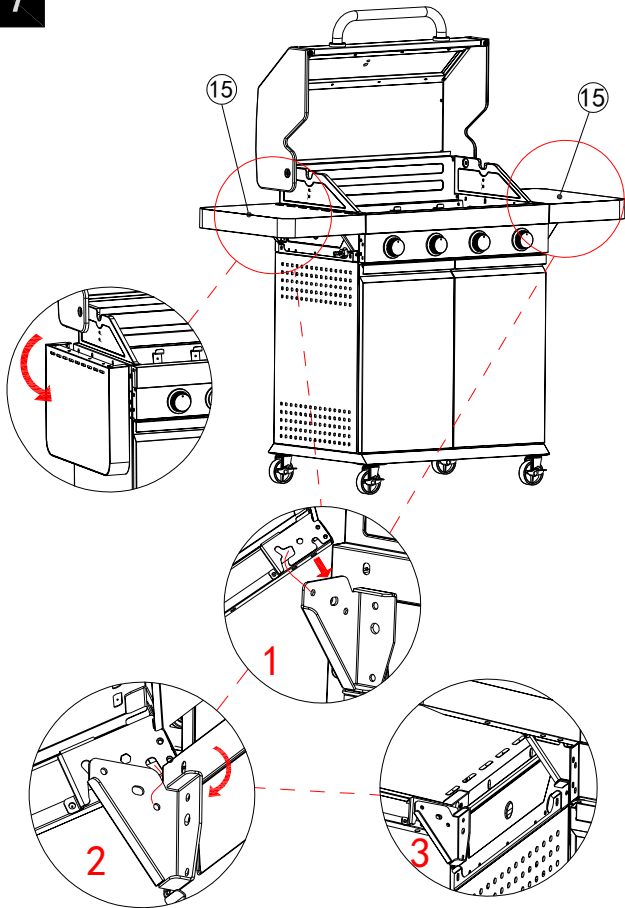
16



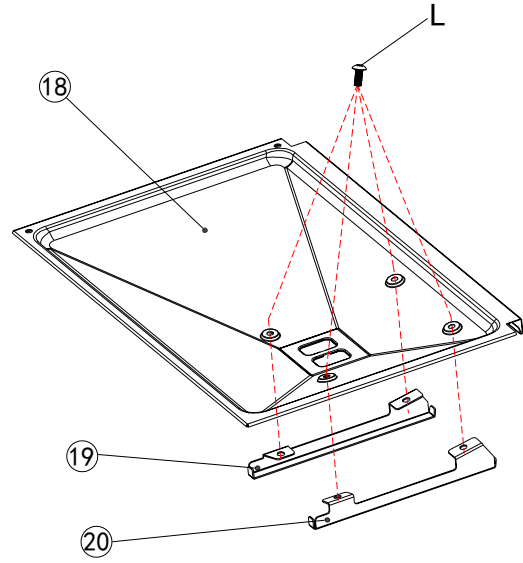
| | | |
|---|---|------|
| B |  | 8PCS |
| F |  | 8PCS |

CELLO

17



18

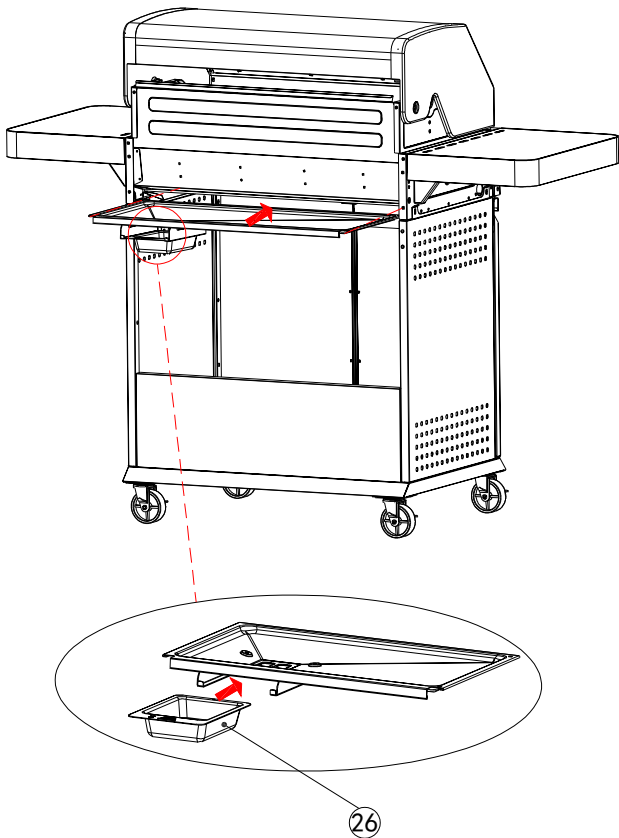


L

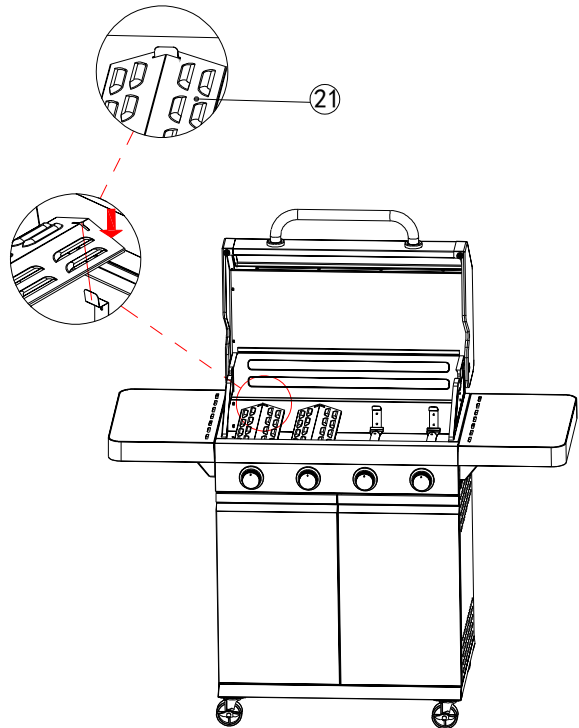


4PCS

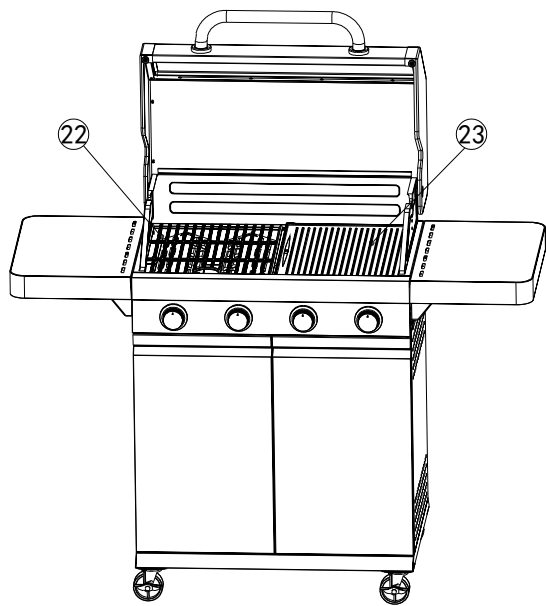
19



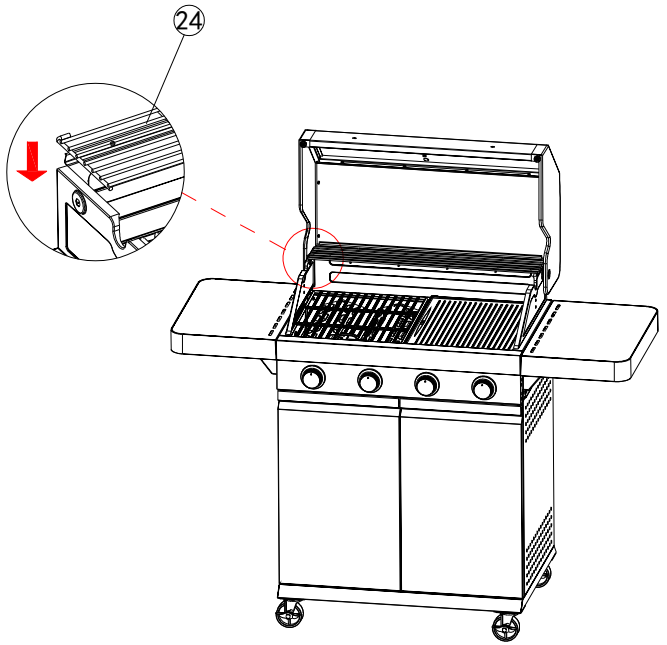
20



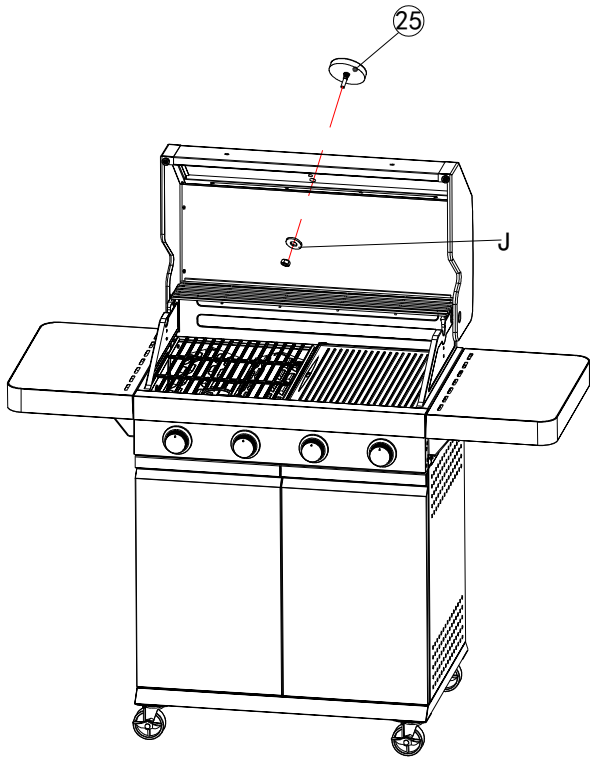
21



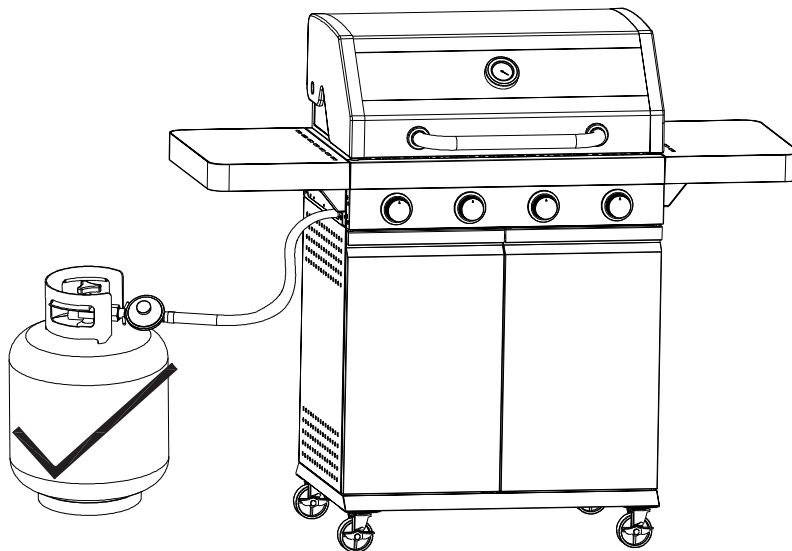
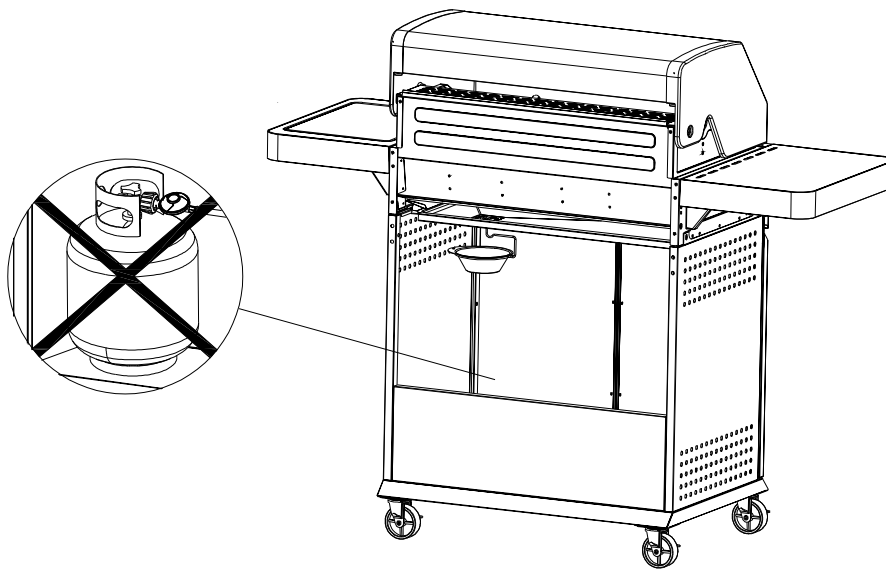
22



23



| | | |
|---|--|-----|
| J | | 1PC |
|---|--|-----|



- GB** FOR SAFETY REASONS GAS CYLINDER MAY NOT BE UNDER GRILL, WHILE GRILL IS OPERATED. KEEP GAS CYLINDER NEXT TO GRILL, WHILE GRILL IS OPERATED.
- FI** TURVALLISUUSYSTÄÄ KAASUPULLO EI SAA PITÄÄ GRILLIN ALLA SEN OLLESSA KÄYTÖSSÄ. PIDÄ KAASUPULLO KÄYTÖN AIKANA GRILLIN VIERESSÄ.
- SE** AV SÄKERHETSKEL FÅR INTE GASOLFLASKAN VARA UNDER GRILLEN NÄR DEN ÄR I BRUK. PLACERA GASOLFLASKAN BREDVID GRILLEN NÄR DEN ÄR I BRUK.
- NO** AV SIKKERHETMESSIGE ÅRSAKER FÅR IKKE GASSFLASKEN STÅ UNDER GRILLEN NÄR DEN ER I BRUK. OPPBEVAR GASSFLASKEN VED SIDEN AV GRILLEN NÄR DEN ER I BRUK.
- DK** AF SIKKERHEDSGRUNDE MÅ GASOLINDER IKKE STÅ UNDER GRILLEN, MENS GRILLEN BRUGER. OPBEVAR GASCILINDER VED SIDEN AF GRILLEN, MENS GRILLINGEN ER I DET.
- EE** OHUTUSE TAGAMISEKS EI TOHI GAASIBALLOONI HOIDA GRILLI ALL, KUI SEE ON KASUTUSEL. HOIA GAASI BALLOONI KASUTAMISE JALA GRILLI KÕRVAL.
- LV** DROŠĪBAS IEMĒLU GĀZES PUDELI NEDRĪKST GLABĀT ZEM GRILA, KAD TO TIEK IZMANTOTA.

Manual instructions material/
Ohjekirjan materiaali/
Bruksanvisning för material/
Manuel instruktionsmateriale/
Juhendmaterjal/
Lietošanas norādījumi/
Naudojimo vadovo medžiaga



Manufacturer • Valmistaja • Tillverkare • Produsent • Fabrikant • Tootja • Ražotājs •
Gamintojas • Kesko Corporation Building and technical trade, Työpajankatu
12, FI- 00580 Helsinki © Kesko 2025. Made in China.

CELLO