

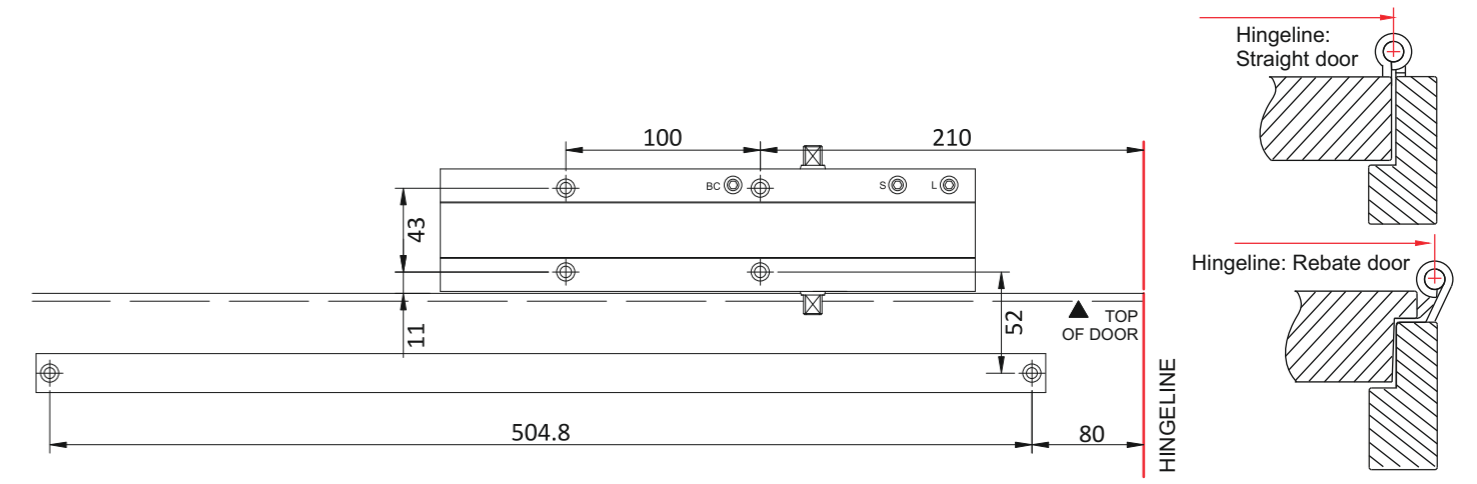
DC6246G DOOR CLOSER INSTALLATION INSTRUCTION: TOP JAMB INSTALLATION TO PUSH SIDE

- 1.** THREE METHODS FOR TOP JAMB INSTALLATION, DEPENDING ON DOOR AND FRAME/TOP JAMB.
CHOOSE SUITABLE METHOD FROM EXAMPLES ON BELOW.
MOUNTING PLATE (ART.501539674) OR ANGLED MOUNTING PLATE (ART.501539673) MIGHT BE NECESSARY.
MOUNTING PLATE AND ANGLED MOUNTING PLATE ARE SOLD SEPERATELY.

<ul style="list-style-type: none"> • Depth gap between door and top jamb is under 60mm • Top jamb has enough vertical space to install door closer 	<ul style="list-style-type: none"> • Depth gap between door and top jamb is under 60mm • Top jamb does not have enough vertical space to install door closer 	<ul style="list-style-type: none"> • Depth gap between door and top jamb is over 60mm • Do not want to detach and/or cut cover strip on top jamb, like on example 1A and 1B
<p>1A</p>	<p>1B</p>	<p>1C</p>
<p>No need for mounting plate</p>	<p>DC 6266 mounting plate Article No: 501539674</p>	<p>DC 6266 angled mounting plate Article No: 501539673</p>
<ul style="list-style-type: none"> • Door closer installation to top jamb 	<ul style="list-style-type: none"> • Mounting plate installation to top jamb by wood screws. • Door closer installation to mounting plate by M5X35 screws. 	<ul style="list-style-type: none"> • Angled mounting plate installation to top jamb by wood screws. • Door closer installation to angled mounting plate by M5X35 screws.

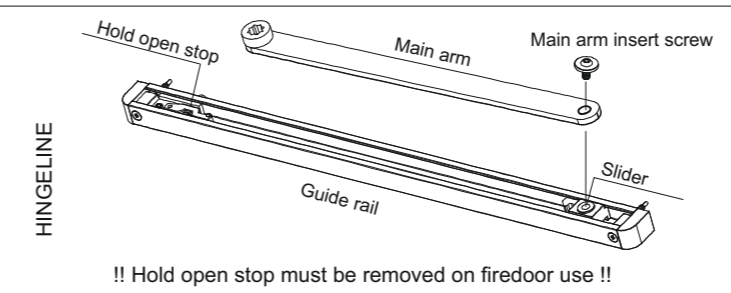
2B

INSTALLATION MEASUREMENTS TO LEFTHAND DOOR

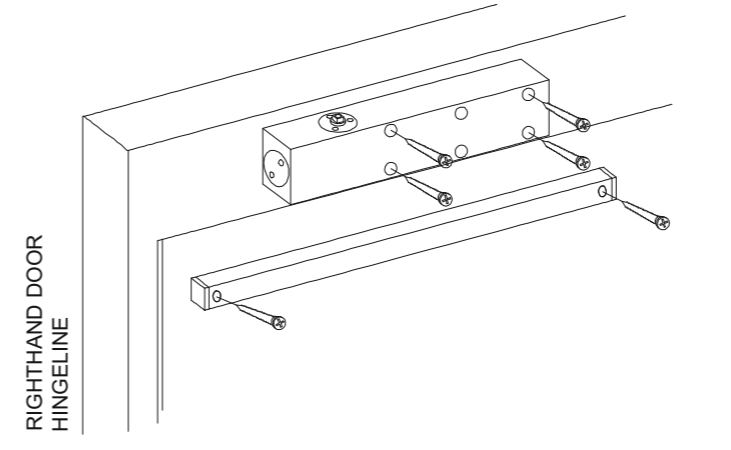


3A

• Guide rail parts

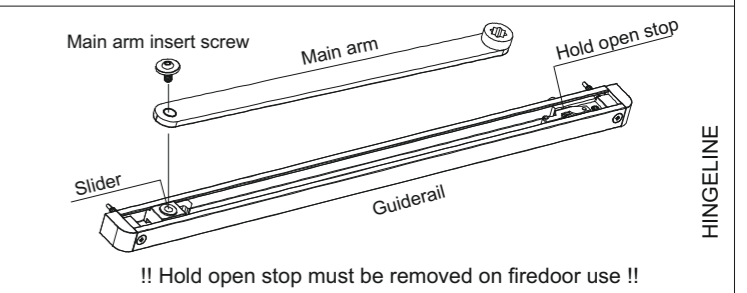


- Fasten door closer to top jamb or mounting plate
- Fasten guide rail to door

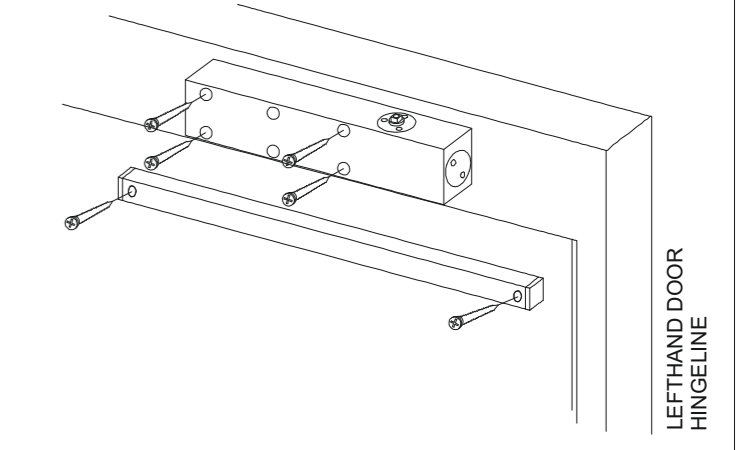


3B

• Guide rail parts

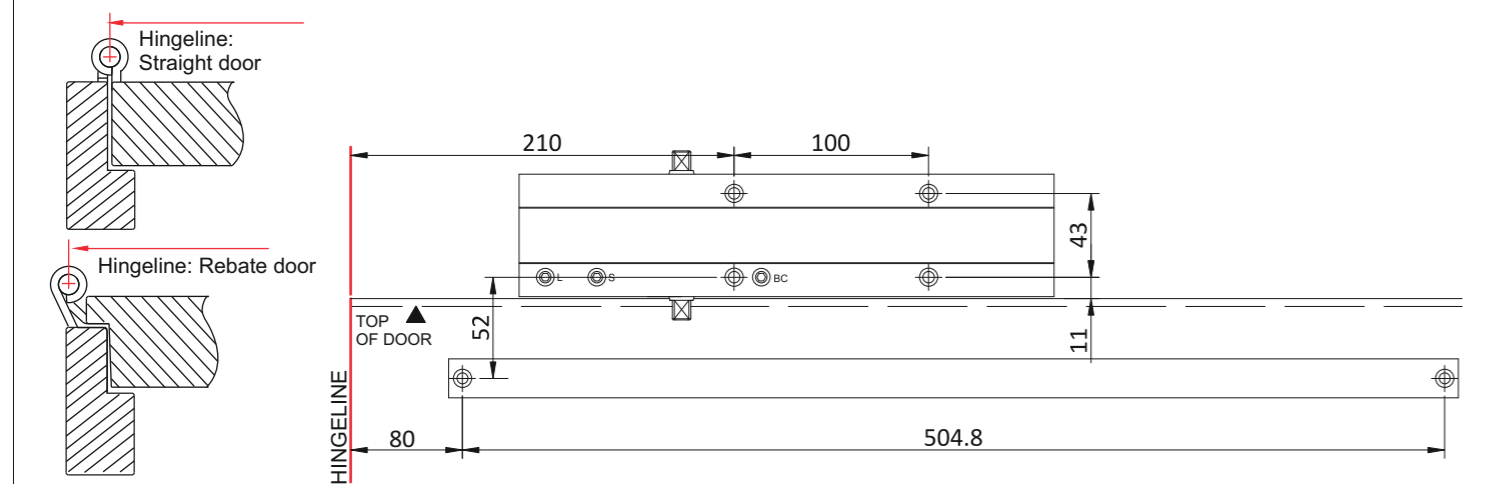


- Fasten door closer to top jamb or mounting plate
- Fasten guide rail to door

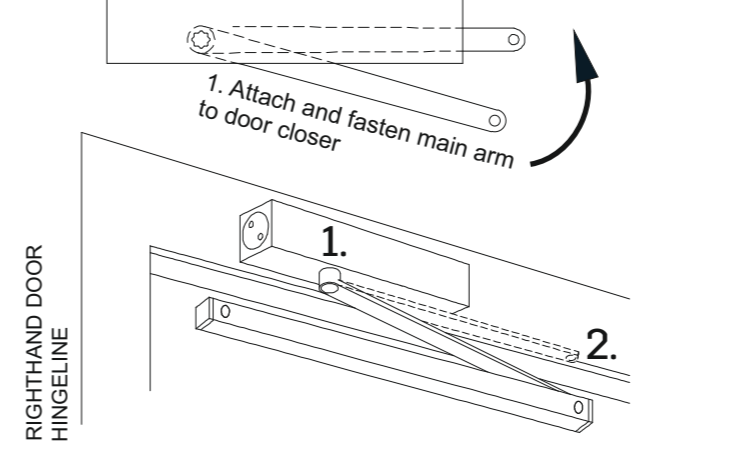


2A

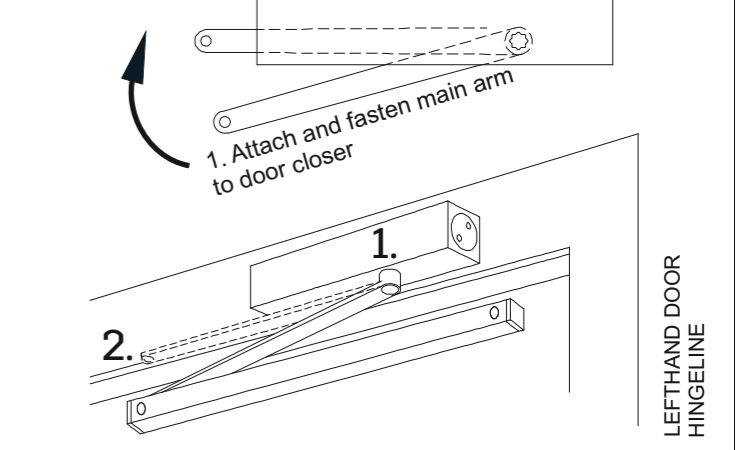
INSTALLATION MEASUREMENTS TO RIGHTHAND DOOR



4A

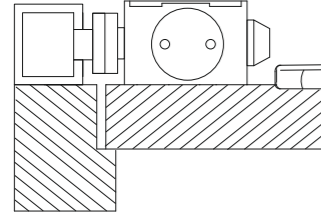


4B

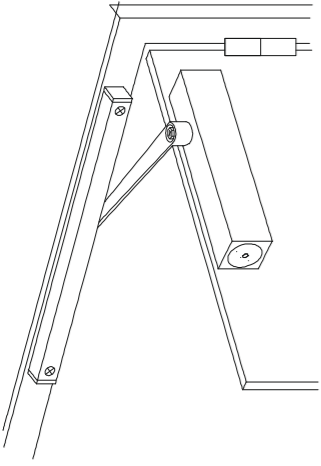


DC6246G DOOR CLOSER INSTALLATION INSTRUCTION: INSTALLATION TO OPENING SIDE OF THE DOOR

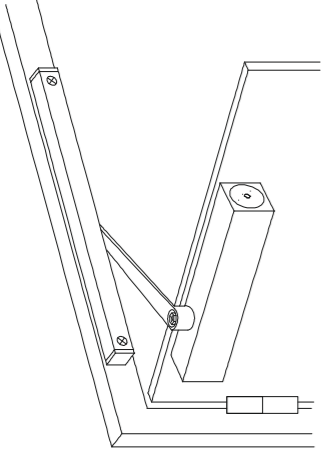
1A



Installation to righthand door

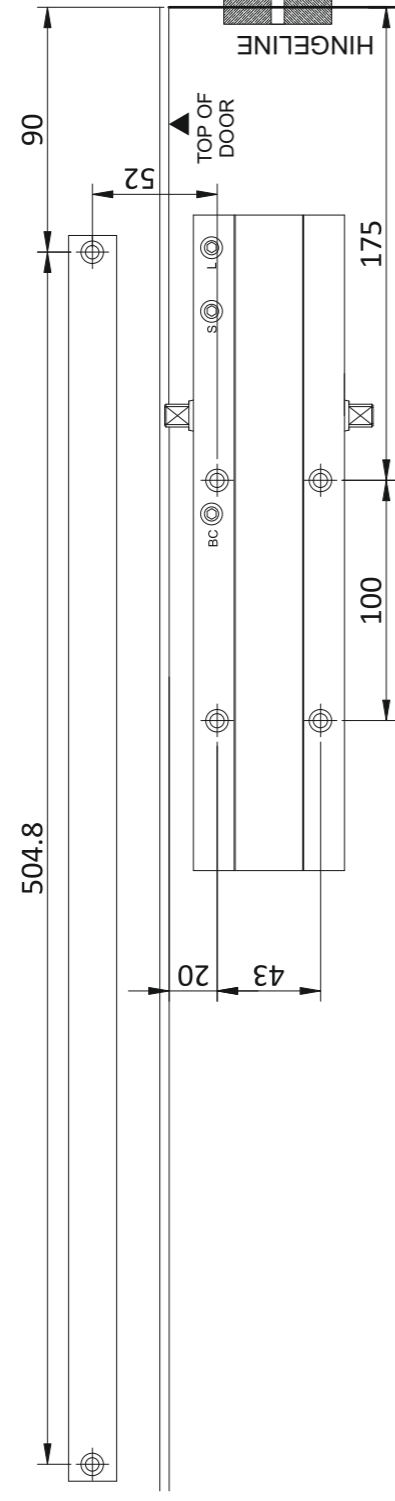


1B

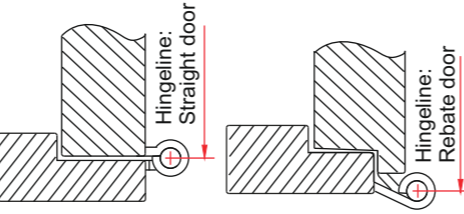


Installation to lefthand door

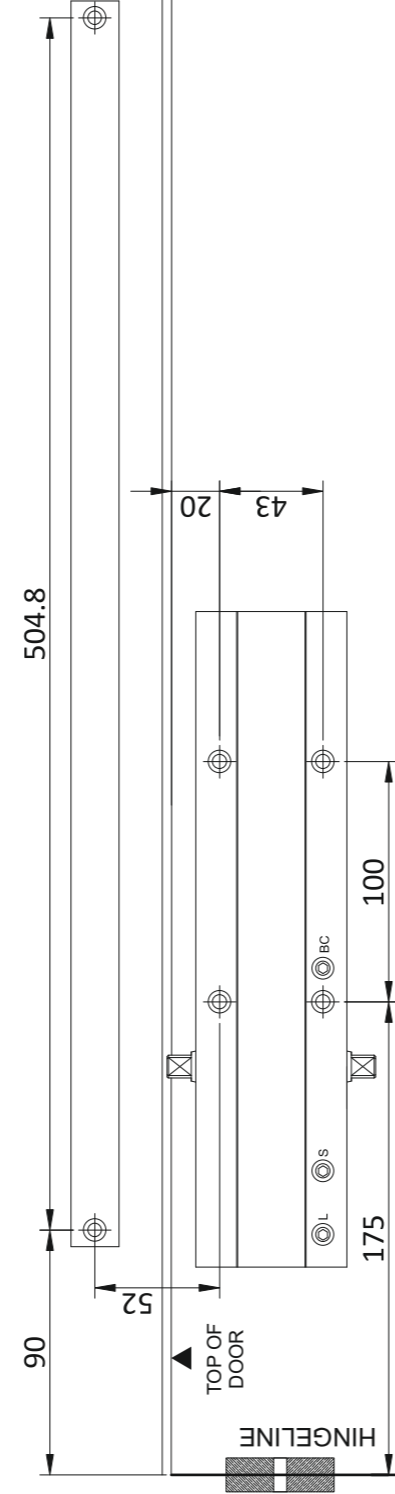
2A



Installation measurements to righthand door

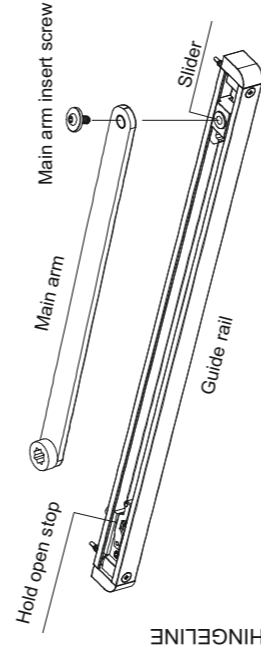


2B



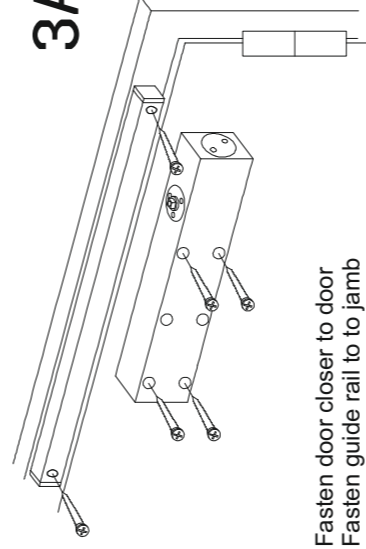
Installation measurements to lefthand door

Guide rail parts



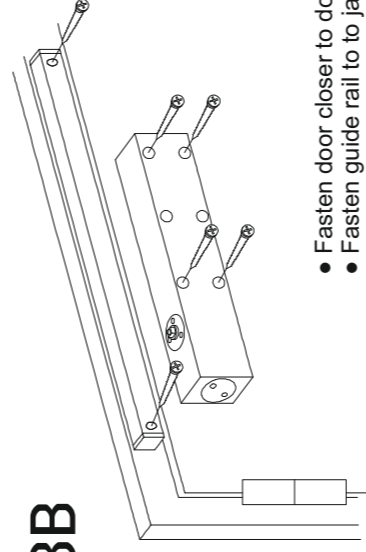
!! Hold open stop must be removed on firedoor use !!

3A



- Fasten door closer to door
- Fasten guide rail to jamb

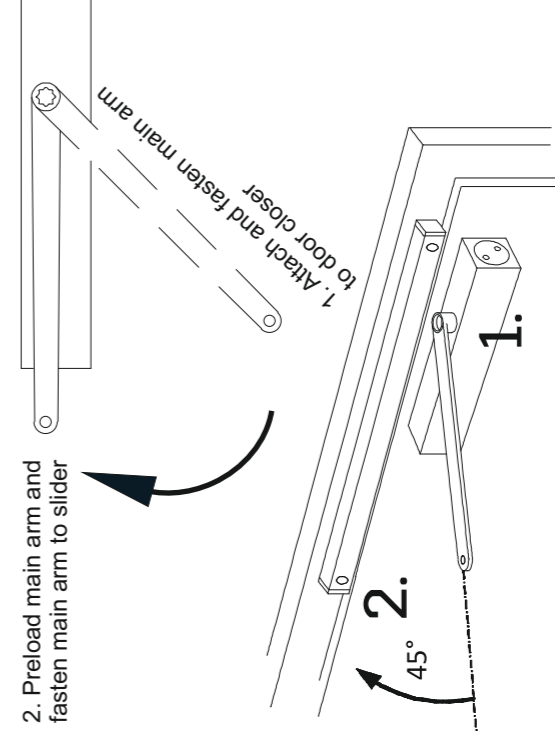
3B



- Fasten door closer to door
- Fasten guide rail to jamb

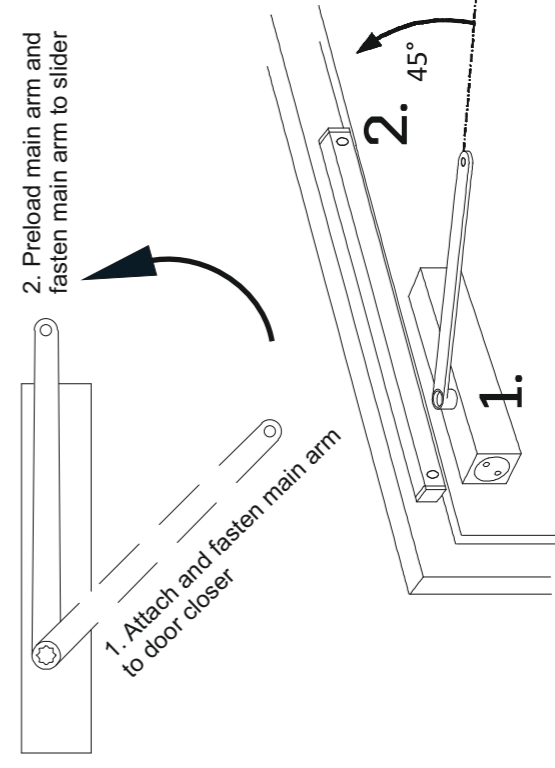
4A

2. Preload main arm and fasten main arm to slider



4B

2. Preload main arm and fasten main arm to slider



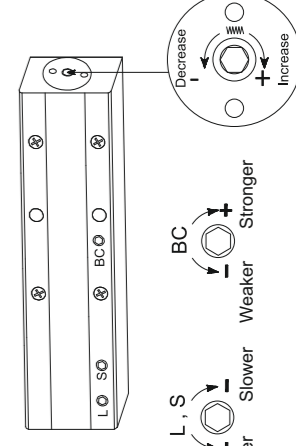
Door closer adjustment

DC 6246G door closer includes following adjustments:

- Closing speed (S)
- Latching (L)
- Backcheck / windbrake (BC)
- Closing force (aside)

Adjust closing force according to door size. Avoid unnecessary closing force. Pre-setting is to 60-80kg door. Adjust backcheck to minimum, if backcheck feature is not necessary. Door will be easier and more comfortable to open.

Adjust (L ja S) so that door closes and latches smooth and control.



!! ATTENTION !!
Do not open the valves out of the closer.

A	Turns (1=360°)	Door weight (recommended)
850 mm	-7	40-60 Kg
950 mm	0	60-80 Kg
1100 mm	+8	80-100 Kg

DOOR CLOSER DC6246G
EN 2-4 adjustable for 20-100kg door
EN 1154
4 8 4/2 1 1 3 **CE**