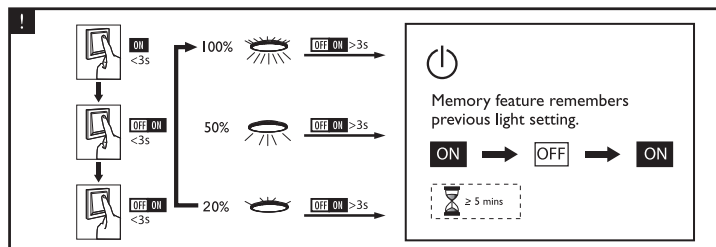
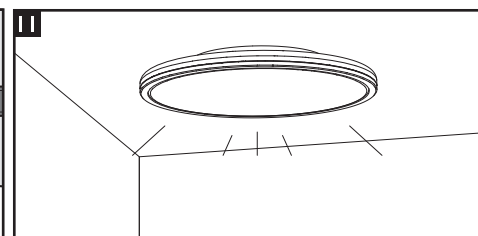
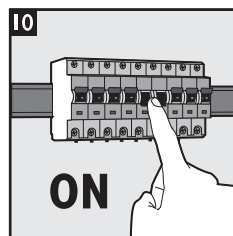
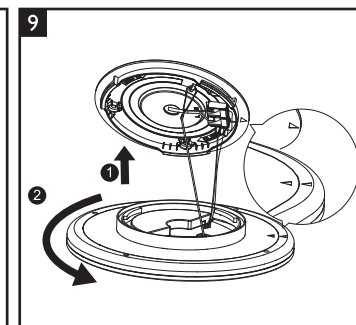
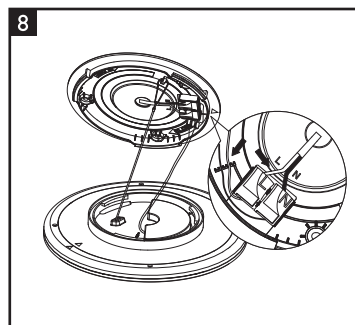
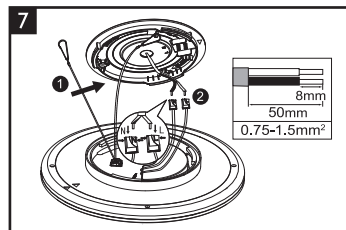
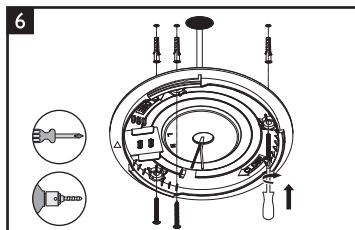
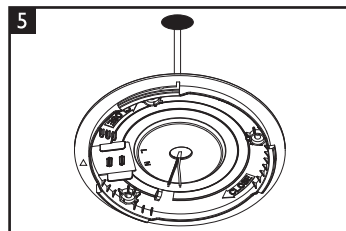
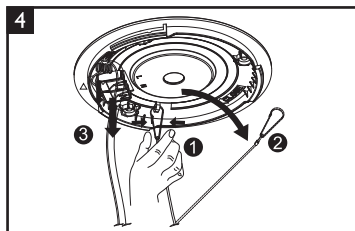
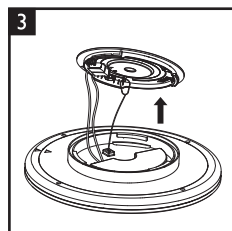
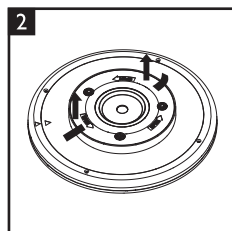
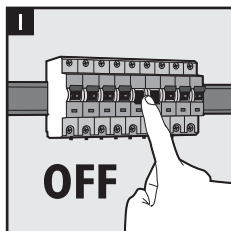
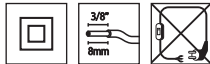


PHILIPS

Ozziet CL570



E 9290031963 9290031964 9290031967 9290031968 9290031971 9290031972

F 9290031961 9290031962 9290031965 9290031966 9290031969 9290031970

Philips and the Philips Shield Emblem are registered trademarks of Koninklijke Philips N.V. and are used under license

Signify
I.B.R.S. / C.C.R.I. Numéro 10461
5600 VB Eindhoven, the Netherlands
www.philips.com/lighting

Signify Commercial UK Limited
Unit 3, Guildford Business Park,
Guildford, Surrey, GU2 8XG, UK

© 2022 Signify Holding

©ignify



3241 659 21302

Last update: 01/14/22