



VIKERSUND

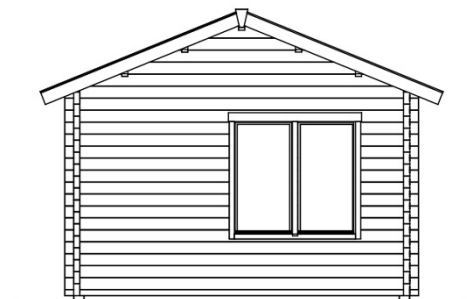
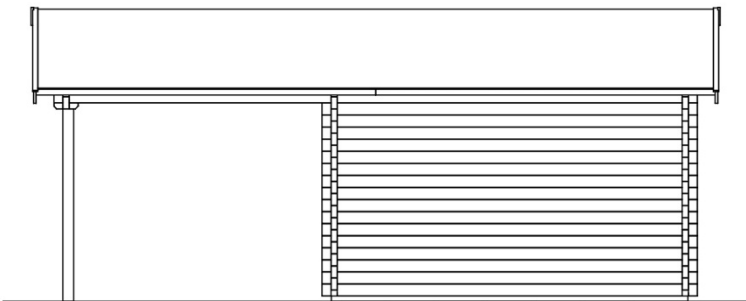
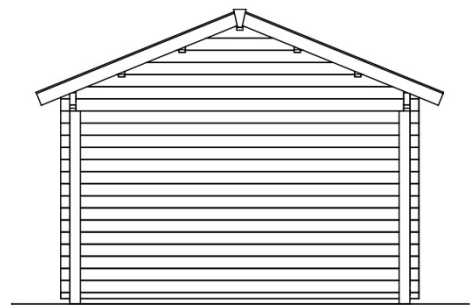
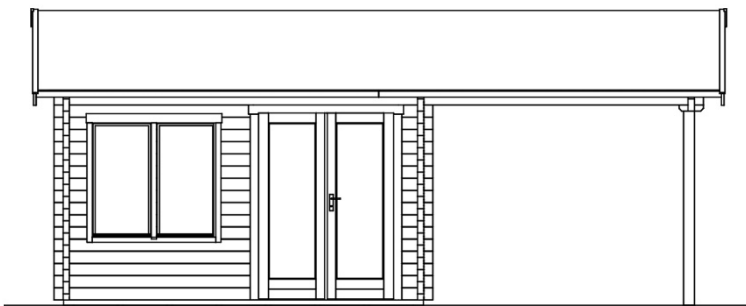
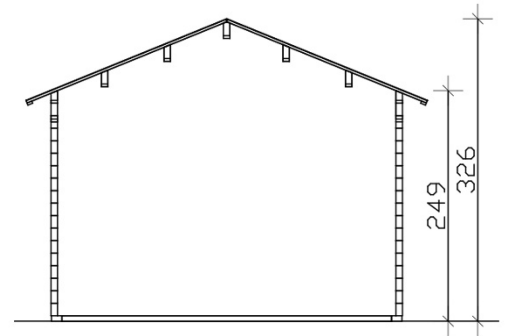
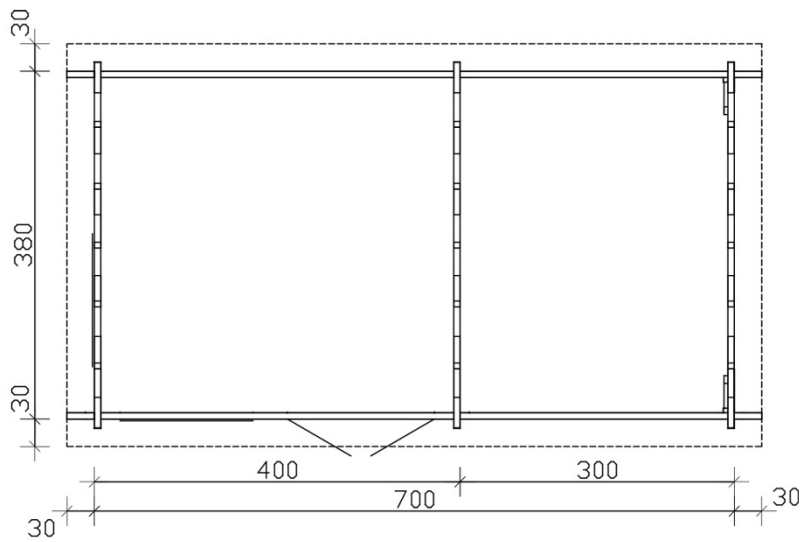
26,60m²

761883

Instruction manual	EN
Kokoamisohje	FI
Bruksanvining	SE
Kasutusjuhend	ET



Versio 1/2025



Instruction manual / Yleisohjeet / Allmänna instruktioner / Üldised juhised

- EN 3
- FI 11
- SE 19
- ET 27

Instruction for assembly / Kokoamisohjeet / Monteringsanvisning /

Kasutusjuhend 35

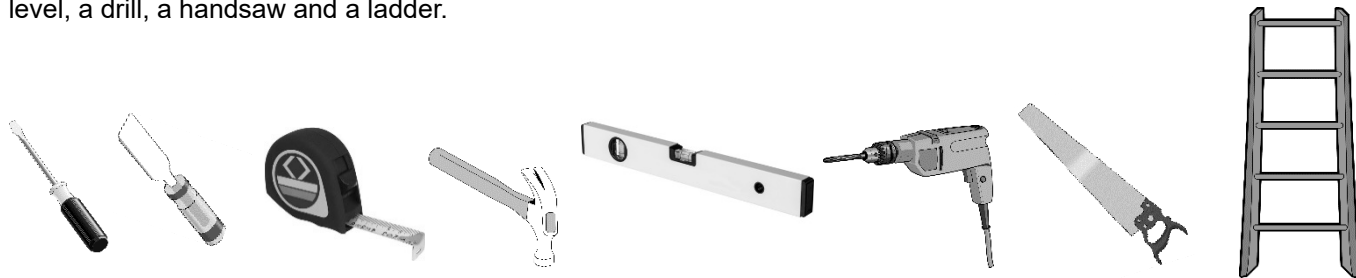
GENERAL INSTRUCTIONS

Thank you for choosing a Skan Holz courtyard building.

Please read these instructions and tips carefully before you start assembly, and keep them for future reference.

1. Please also check the list of parts to ensure that all parts of the structure have been supplied before you start assembling the structure or hire workers. Please contact the vendor as soon as possible if you notice any defects or faults, and we will deliver a replacement part as soon as possible.
Unfortunately, we are unable to reimburse the cost of any delay in the assembly process.
2. If the product is not set up immediately and requires long-term storage, we recommend storing it in a place that is properly protected from the weather and sun. Store the package on a flat surface and off the ground to avoid moisture seepage from the soil and ground. Make sure there are no holes in the plastic packaging that could let in rainwater; cover the package with a lightweight tarpaulin if necessary.
The protective casing and plastic wrapping should only be removed just before you start assembly, as the effects of the weather can cause the wood to warp if it's left unprotected.
3. Before starting assembly, sort the parts of the building in order of assembly as indicated by the images to ensure that the assembly process goes smoothly. We recommend setting the structure on a dry and even surface. Avoid setting the parts directly down on grass or wet surfaces, as any dirt that sticks to the parts can be difficult to clean up later.
4. Make sure that the building is positioned correctly on the property in relation to the boundaries of the plot and other buildings. The building must also comply with planning regulations and any other local regulations.
5. When choosing a location for your building, make sure it is not exposed to extreme weather conditions (heavy snowfall or strong winds).
6. We recommend two people for the assembly process.
7. The best results come from assembling the structure on top of well-made foundations. Please see our advice on foundations in the Foundations section of this assembly guide
8. If the roof is constantly exposed to the elements, please make sure to use appropriate roofing materials.
9. Remember to remove excess snow from the roof in winter so that the weight of packed snow does not damage the roof structures. If necessary, consult a professional used for snow removal. Please take care to ensure safety at work.
10. The builder shall be responsible for installing any gutters onto the building.
If you install gutters, the roof boards must be shortened to the appropriate length.
11. The wood is untreated, which is why regular protective treatment is essential. Refer to the section discussing care instructions and painting in this assembly guide for instructions on protective treatments
12. **Safety**
All the wooden parts of the building are finished, but splinters may come loose while handling the materials.
We recommend wearing long-sleeved shirts and long-legged trousers, protective gloves, and protective goggles when working with wood.
13. Keep children and pets away from the construction site.
14. Always comply with national building and safety regulations.
15. Please note that we cannot take responsibility for the following:
 - incorrect storage before installation
 - inappropriate, inadequate, or incorrect foundations
 - damage caused by assembly errors, e.g. if the building is not perfectly level or if the corners of the building are not straight.
 - damage caused by heavy, packed snow, storms, or other natural phenomena
 - any damage to or breakage of structures that have been modified at the construction site
 - natural cracks, knotholes, warping, chipping, discolouration, or similar changes that are characteristic of natural material.

The tools needed for assembly, including a screwdriver or an electric screwdriver, a tape measure, a hammer, a spirit level, a drill, a handsaw and a ladder.



The main steps of the assembly process in order of progression:

1. Placing floor joists on top of the foundation
2. Fixing the bottom wallboard to the floor joists
3. Assembling the wall
4. Installation of doors and windows
5. Fixing of roof beams, fixing of roof boards
6. Installation of floorboards
7. Installing cover strips in corners, doors and windows

FOUNDATIONS

The foundations must be strong, as it will bear the weight of the entire building and must remain level even after the building has been erected.

The foundations should be laid before starting the assembly, with consideration to the soil type and quality and the size of the building. In particular, soil that's susceptible to frost heaving should be accounted for when laying the foundations. How well the soil drains water is also important. For example, clay soil does not absorb water, and this should be considered when laying the foundations.

When the structure is erected on dry, permeable, and sandy soils that are not susceptible to frost heaving, a lightweight block or slab foundation can be used. In that case, simply removing and levelling the topsoil will be sufficient.

When you're building foundations on soil that's susceptible to frost heaving, remove at least 30 cm of soil, to the frost heaving depth. If necessary, use frost insulation boards and drainage pipes in soil that's susceptible to frost heaving. Spiral piles are also a good option for soil that's susceptible to frost heaving.

If you use spiral piles, a pile clamp and a torsion tool are required to match the dimensions of the foundation timber. Filter cloth or landscaping cloth can be used under foundations to control the growth of weeds.

Place a plinth insulation strip between the block and the foundation timber to prevent moisture migrating from the foundations to the foundation timbers.

Make sure that the base for the foundations is leveled well and perfectly horizontal.

We recommend a concrete slab or brick foundation, which will ensure a balanced base for the building's weight and is suitable for most types of soil.

Ensuring adequate ventilation of the subfloor is essential. The most common method for ensuring subfloor ventilation is installing blocks or tiles under the foundation timbers. A structural plan for a brick foundation is available for every Skan Holz building.

Make sure that you place a strip of felt between the blocks and the foundation timbers to prevent moisture from migrating upwards into the wood structures

If necessary, ask an expert for advice or have the foundations built by a professional.

Shape the ground surface of the base away from the building, to drain away rainwater.

Attach the foundation timbers to the foundations with e. g. corner brackets (not included).

We recommend installing the foundation timbers so that the outer timbers are set slightly inwards and away from the walls.

This is recommended because then any rainwater running down the walls will not dampen the space between the foundation timbers and the lowest joist. In addition, the outer foundation timbers serve as edge supports for the floorboards.

In practical terms, this means that the foundations should be made 5–10 mm smaller than the base area of the cottage.

ASSEMBLING THE WALL

When installing the walls pay attention to the wall plan in the user manual. Place the first bottom and bottom half wall boards on the floor beams. Measure diagonals and make sure that both diagonals are equal. Then screw from the tenon wall boards to the floor beam (always pre-drill holes for the screws). In the middle of the wall use angle brackets to screw the wall boards to the floor beams.

Build up walls according to the plan and when almost reaching the top of the door and window hole, place the window and door into the wall. Screw the door and window to the wall ONLY from the bottom, otherwise the walls cannot "work" and there will be horizontal spaces between the wall boards. If you have reached the top with the side walls then place the steel bars. Use washers, spring and nut at the bottom and washer + nut at the top. Tighten the steel rod so that there is about 5-10 cm of movement space below and cut the excess part away on the top.

Continue with the gables. Use the screws shown in the manual. Please pre-drill holes for screws to avoid breaking the wall boards. Mark and cut the tongue out where necessary. Place roof beams according to plan and screw them to the wall boards.

Check the steel rod from time to time and tighten if necessary.

ASSEMBLING THE DOOR AND WINDOWS

Fit the door frames firmly in place. Fix the frames by screwing the screws through the frames into the wall plates. We recommend installing the doors on the hinges of the frames only later, so that the door is not dented during assembly. Install the separately supplied lock and handle on the door. For the door to work properly, it is important that the building is horizontal, straighten if necessary by wedging the corner. If necessary, you can straighten the position of the door by adjusting the position of the hinge on the door or frame.

Wall boards are installed until they reach the height of the window. Slide the window with its frame into the window opening and place it against the wall board at the bottom of the opening. Fix the frames by screwing the screws through the frames into the wall plates. Make sure you do not install the window upside down, otherwise it will fall off its hinges when you open it.

INSTALLING THE ROOF BOARDS

Make sure you use the right boards, as ceiling, wall, floor tiles and floorboards have the same type of profile. To facilitate identification, sort the boards that come in on different sides by the lengths indicated in the parts list into their own groups on the construction site.

The board will live a little depending on the humidity, so leave a small swelling space between each board. Leave a gap of about 1...2 mm between the roof boards. No gap is left in the floorboards, but their point is pressed all the way to the bottom!

Do not step on the roof! The roof structure is only suitable to carry a uniform load (snow, etc.), not a point load!

ROOFING MATERIALS

Outbuildings are delivered without roofing materials.

Choose an appropriate roofing material for the environment and the building. Popular roofing materials include rolled felt roofing, roofing felt patches, and sheet metal.

We do not recommend installing tile roofs, as they are too heavy for lightweight courtyard buildings.

The roof must be installed immediately after the building is erected to ensure weatherproofing.

If the roof is covered with felt, we recommend using two layers with an underlayer of roofing felt on the bottom and covering felt on top of it.

Adhesive roofing felt should be used on roofs whose angle is less than 11 degrees, while roofing felt patches can be used on roofs whose angle is steeper than 11 degrees.

If you're using a sealed roofing, a separate underlay is not required, and it can also be used on less steep and flat roofs.

In addition to the roofing material, you can also install drip and eaves flashing that are compatible with the roofing material.

If necessary, you should also install gutters and downspouts to divert water away from the roof and walls.

INSTRUCTIONS FOR MAINTENANCE AND PAINTING

The wooden parts of the building are untreated, so regular protective painting is essential. The building should be treated with wood protector or painted as soon as possible after erection, including doors and window frames. Treating the indoor parts is also recommended.

The foundation timber is treated with a wood preservative at the factory.

The undercoat should be an impregnating agent (against fungal and insect damage) and the intermediate and top coat should be a high-quality wood-protecting wood varnish (against staining, UV protection and flaking). The undercoat and intermediate coat must be applied before assembly. Make sure that the timber is dry before assembling. The topcoat is applied after erection.

Always make sure that the paint has good UV protection and that you follow the manufacturer's instructions for use.

The floor joists are impregnated. The impregnation treatment protects the wood from fungal and insect damage.

Maintenance:

The surfaces should be inspected for damage at regular intervals, at least once a year.

Any damage or drying cracks must be repaired immediately.

Repair paint should be used to treat and protect the surfaces. The need for painting depends on the location of each surface and the stress it's subjected to, and every surface should be painted before visible damage occurs.

Please note that printed colour samples may not match the actual colour shade. There may be variations in colour. Storage marks may be present on fully painted parts.

OTHER THINGS TO CONSIDER

It's a good idea to treat the outbuilding like the main building, so please keep the following in mind when carrying out maintenance work:

- remove debris from the roof (leaves, pine needles, branches)
- regularly clean cobwebs and other debris off the walls
- make sure to clear snow off the roof in winter before it can become a heavy load
- avoid placing plants against the walls of the building and remove any weeds around the building.

WARRANTY AND THE WARRANTY PROCESS

If the product or part of the product becomes defective, is missing on delivery, or they're discovered to be faulty during the warranty period, please contact the place of purchase directly. The vendor is responsible for handling the warranty process.

Before making a warranty claim, please read the assembly instructions carefully and check that the warranty claim is not due to misuse or neglecting maintenance.

The following information must be provided to the importer in warranty matters:

- the make and model name of the building
- the reason for the claim, as well as photos
- the part number of the defective part
- a copy of the purchase receipt or other similar proof of the place and date of purchase
- the consumer's name, telephone number, and street address.

The above information should be provided with the claim or warranty claim. Photographs of the defect will help us handle the claim and warranty issue faster. Take 1–3 photos of the product, part, or defect that your claim concerns, and show them at the place of purchase when making the claim or attach them to the electronic claim.

If assembly has been started or continued, the customer has accepted the product in the condition in which it was delivered.

Please note that we cannot take responsibility for the following:

- improper storage before installation
- inappropriate, inadequate, or incorrect foundations
- damage caused by assembly errors, e.g. if the building is not perfectly level or if the corners of the building are not straight.
- damage caused by heavy, packed snow, storms, or other natural phenomena
- any damage to or breakage of structures and parts that have been modified at the construction site
- natural cracks, knotholes, warping, chipping, discolouration, or similar changes that are characteristic of natural material.
- failure to apply surface treatment immediately after erection or assembly.

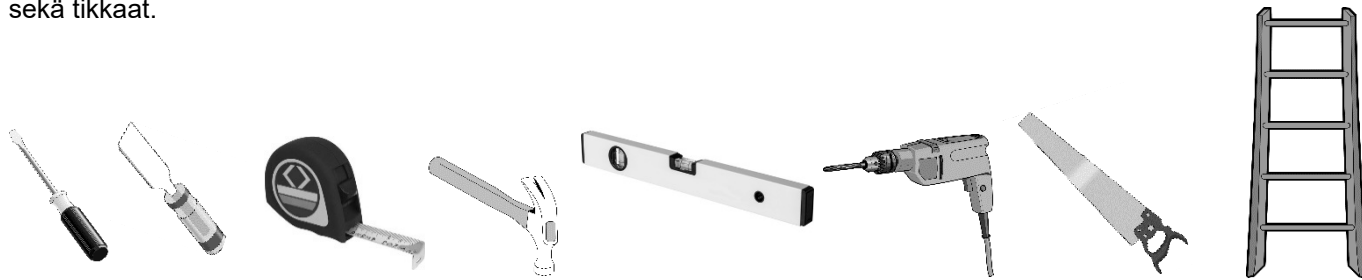
YLEISET OHJEET

Kiitos, että valitsit **Skan Holz** -piharakennuksen.

Tutustu huolellisesti ohjeisiin ja vinkkeihin ennen pystyttämisen aloittamista ja säilytä ohjeet tulevaisuutta varten.

1. Tarkista osaluetteloä käyttäen ennen pystytyksen aloittamista tai asentajien kutsumista, että rakennuksen kaikki osat ovat käytettävissä. Jos havaitset puutteita tai virheitä ota pikimmiten yhteyttä jälleenmyyjääsi, niin toimitamme uuden osan mahdollisimman pian.
Emme valitettavasti voi korvata kustannuksia, jotka aiheutuvat pystytystyön viivästyisestä.
2. Jos tuotetta ei pystytetä heti, on sen pidempiaikainen varastointi ja säilytys suositeltavaa paikassa, joka on hyvin säältä ja auringolta suojattuna. Säilytä paketti tasaisella alustalla ja reilusti irti maasta maakosteuden siirtymisen välttämiseksi. Varmista että pakkausmuovissa ei ole reikiä mistä sadevesi pääsisi sisään, peitä tarvittaessa kevytpeitteellä.
Suojakääreet ja kelmut kannattaa poistaa vasta juuri ennen pystytyksen aloittamista, sillä sään vaikutuksesta puu voi vääntyä irrallaan ollessaan.
3. Ennen kokoamisen aloitusta lajittele rakennuksen osat piirustusten mukaisesti kokoamisjärjestyksessä, jotta työ etenee jouhevasti. Suosi kuivaa ja tasaista alustaa, ja vältä osien lajittelua suoraan nurmikolle tai märälle alustalle, sillä osiin tarttuva lika voi olla hankala putsata myöhemmin.
4. Rakennuksen on sijoitettava kiinteistölle oikein suhteessa tontin rajoihin ja muihin rakennuksiin. Rakennuksen on myös täytettävä kaavamääräykset ja muut mahdolliset paikalliset säädökset.
5. Valitessasi rakennukselle paikkaa varmista, ettei se altistu äärimmäisille sääolosuhteille (voimakas lumisade tai tuuli)
6. Pystytykseen suosittelemme kahta henkilöä.
7. Paras lopputulos saadaan hyvin tehdyillä perustuksilla. Katso perustuksiin liittyvät ohjeemme kokoamisohjeen kohdasta Perustus
8. Katon altistuessa jatkuvasti sään vaikutuksille, huomioithan riittävän katemateriaalin käytön.
9. Huolehdi talvella liian lumen poistamisesta katolta, jotta raskas lumikuorma ei aiheuta vaurioita kattorakenteisiin. Lumenpudotuksessa on tarvittaessa syytä käyttää ammattilaisapua ja huolehdittava työturvallisuudesta.
10. Mahdollisten vesikourujen asennus on rakennuttajan vastuulla.
Tällöin kattolaudat on lyhennettävä sopivan mittaisiksi.
11. Puu on käsittelemätöntä, minkä vuoksi säännöllinen suojakäsittely on ehdottoman tärkeää. Katso suojakäsittelyä koskevat ohjeet kokoamisohjeen kohdasta Hoito-ohjeet/maalaukset
12. Turvallisuus
Kaikki rakennuksen puuosat ovat viimeistelyjä, mutta on mahdollista, että niistä irtoaa tikkuja.
Suosittelemme pitkähihaisia ja -lahkeisia vaatteita, työhansikkaita sekä suojalaseja työskennellessäsi puun kanssa.
13. Pidä lapset ja lemmikit poissa rakennustyömaalta.
14. Noudata aina kansallisia rakennus- ja turvamääräyksiä.
15. Huomioithan, että emme voi ottaa vastuuta seuraavista asioista:
 - virheellinen varastointi ennen asennusta
 - epäasianmukainen, riittämätön tai vääränlainen perustus
 - pystytysvirheistä aiheutuvat vahingot, esim. rakennus ei ole vaakasuorassa tai rakennuksen kulmat eivät ole suorita.
 - vahingot, jotka aiheutuvat suurista lumikuormista, myrskyvahingoista tai muista luonnonilmiöistä
 - mahdollisten työmaalla muutettujen rakennelmien vahingoista tai rikkomisista
 - luonnollisista halkeamista, oksanrei'istä, vinoumista, pihkaisuudesta, väri- tai vastaavista muutoksista, jotka ovat ominaisia luonnonmateriaalille.

Kokoamisessa tarvittavat työkalut, mm. ruuvimeisseli tai ruuvinväännin, rullamitta, vasara, vatupassi, porakone, käsisaha sekä tikkaat.



Pystytyksen päävaiheet etenemisjärjestyksessä:

1. Lattiapalkkien asettaminen perustusharkkojen tai -laattojen päälle
2. Alimman seinälaudan kiinnitys lattiapalkkeihin
3. Seinän kokoaminen
4. Ovien ja ikkunoiden asentaminen
5. Kattopalkkien kiinnittäminen, kattolautojen kiinnitys
6. Lattialautojen asentaminen
7. Peitelistöjen asentaminen oviin ja ikkunoihin

PERUSTUKSET

Perustuksen tulee olla tukeva, sillä se kantaa koko rakennuksen painon ja sen tulee pysyä vaakasuorassa myös rakennuksen pystyttämisen jälkeen.

Perustus tulee tehdä ennen pystyttämisen aloittamista maaperä ja rakennuksen koko huomioiden. Erityisesti mahdollinen routiva maaperä tulee huomioida perustuksia tehdessä tarkasti.

Myös sillä on väliä, kuinka hyvin maa johtaa vettä. Esimerkiksi savimaa ei ime vettä, ja se tulee ottaa huomioon pohjatöissä.

Kuivalla, vettä läpäisevällä ja routimattomalla hiekkamaalla voi käyttää kevyttä harkko- tai laattaperustusta. Tällöin riittää pelkkä pintamaan poistaminen ja tasoittaminen.

Routivassa maaperässä poista maa-ainesta ainakin 30 cm verran, aina routimissyvyyteen saakka. Tarvittaessa käytä routivassa maassa routaeristelevyjä ja salaojaputkia.

Routivaan maahan, jossa ei ole isoja kiviä hyvä vaihtoehto ovat myös kierrepaalut.

Käytettäessä kierrepaaluja, tarvitaan perustuspuun mitoille sopiva paalun lattakiinnike sekä vääntötyökalu.

Perustusten alla voi käyttää suodatin- tai maisemointikangasta hillitsemään rikkaruohojen kasvua.

Varaa sokkelikaistaa harkon ja perustuspuun väliin laitettavaksi, se estää kosteuden nousemisen perustuksista perustuspuihin.

Pohjan tulee olla hyvin tasoitettu ja täysin vaakasuora.

Suosittelamme betonilaatta- tai harkkoperustusta, joka tasaa rakennuksen kuormitusta ja sopii useimmille maapohjille.

Tärkeää on huolehtia riittävästä alapohjan tuuletuksesta. Yleisin tapa on tehdä alapohjasta tuulettuva asentamalla perustuspuiden alle harkot tai laatat. Jokaisesta Skan Holz rakennuksesta on saatavilla harkkoperustuskuva.

Muista sijoittaa huopakastaapala harkon ja perustuspuun väliin, jotta kosteus ei nouse puurakenteisiin

Kysy tarvittaessa neuvoa asiantuntijalta tai teetä perustukset alan ammattilaisella.

Muotoile sokkelin vierustan maanpinta pois päin rakennuksesta, hulevesien pois johtamiseksi.

SEINÄN KOKOAMINEN

Ruuvaa alin seinälauta kiinni lattiapalkkeihin kulmakiinnikkeillä seinän keskeltä. Rakenna seinää ylöspäin pystytysohjeen mukaisesti ja kun olet oven ja ikkunan reiän yläosassa, aseta ikkuna ja ovi seinään. Ruuvaa ovi ja ikkuna seinään VAIN alhaalta, muuten seinälaudoille ei jää painumisvaraa ja seinälevyjen väliin jää välejä. Kun olet päässyt sivuseinien yläosaan, aseta kierretangot ohjeen mukaisesti, käytä aluslevyjä, jousia ja mutteria alhaalla ja aluslevyä + mutteria ylhäällä. Kiristä kierretanko niin, että alapuolelle jää noin 5-10 cm liikkumatilaa ja leikkaa ylimääräinen osa pois yläosasta.

Jatka yläpäätyjen rakentamisella. Käytä käyttöohjeessa esitettyjä ruuveja. Tee poralla esireiät puuhun ruuveja varten, jotta ehkäistään lautojen halkeamista.

Tarkista nurkkien kierretanko aika ajoin ja kiristä tarvittaessa.

OVEN JA IKKUNAN ASENTAMINEN

Asenna oven karmit tukevasti paikoilleen. Kiinnitä karmit ruuvaamalla ruuvit karmien läpi seinälautoihin. Suosittelemme asentamaan ovet karmien saranoihin vasta myöhemmin, jotta ovi ei kolhiinnu rakentamisen aikana. Asenna erillisenä toimitetut lukko ja kahva paikoilleen oveen. Jotta ovi toimii kunnolla, on tärkeätä että rakennus on vaakasuorassa, suorista tarvittaessa kiilaamalla nurkkaa. Tarvittaessa voit suoristaa oven asentoa säätämällä oven tai karmin saranan asentoa.

Seinälautoja asennetaan kunnes tullaan ikkunan korkeudelle. Työnnä ikkuna karmeineen ikkuna-aukkoon ja aseta se aukon alaosassa olevaa seinälautaa vasten. Kiinnitä karmit ruuvaamalla ruuvit karmien läpi seinälautoihin. Varmista ettet asenna ikkunaa ylösalaisin, muuten se tippuu saranoiltaan avatessa.

KATTO- JA LATTIALAUTOJEN ASENNUS

Varmista että käytät oikeita lautoja, sillä katto-, seinä- ja lattialaudoissa on samanlainen profiili. Tunnistamisen helpottamiseksi, lajittele eri sivuille tulevat laudat osaluettelossa mainitun pituuden mukaan omiin ryhmiinsä rakennuspaikalle.

Lauta elää ilmankosteuden mukaan hieman, joten jätä pieni turpoamisvara jokaisen kattolaudan väliin. Kattolautojen pontin pohjalle jätetään 1..2 mm rako, jotta puulle jää elämisvaraa rakenteessa. Lattialautoihin ei rakoa jätetä, vaan niiden pontti painetaan pohjaan saakka!

Älä astu katolle! Kattorakenne soveltuu kantamaan vain tasaisen kuorman (lumi yms.) ei pistekuormaa!

KATEMATERIAALIT

Piharakennukset toimitetaan ilman katemateriaalia.

Valitse ympäristöön ja rakennukseen sopiva katemateriaali. Suosittuja katemateriaaleja ovat rulla- ja palahuovat sekä kattopelti.

Tiilikatetta emme suosittele, sillä raskaana materiaalina ne ovat liian painavia kevyille piharakennuksille.

Kate tulee asentaa välittömästi rakennuksen pystytyksen jälkeen säänkestävyyden takaamiseksi.

Mikäli katto asennetaan kattohuovalla, suosittelemme käyttämään kahta kerrosta, alle alushuopaa, päälle pintahuopaa. Loivemmalla kuin 11 asteen lappeella tulee käyttää liimautuvaa rullahuopaa, kun taas jyrkemmällä kuin 11 asteen katolla myös palahuopa on vaihtoehto.

Tiivissaumakatetta käyttämällä ei erillistä aluskatetta tarvita ja sitä voi käyttää myös loivalla lappeella ja tasakatolla.

Katteen lisäksi voit hankkia katemateriaalin kanssa yhteensopivat tippa- ja räystäspellit.

Tarvittaessa rakennukseen kannattaa asentaa myös rännit ja sadevesikourut, jotka ohjaavat veden pois katolta ja seiniltä.

HOITO-OHJEET HUOLTOON JA MAALAUKSEEN

Rakennuksen puuosat ovat käsittelemättömiä, joten säännöllinen suojamaalaus on välttämätöntä. Rakennus kannattaa puunsuojata tai maalata mahdollisimman pian pystytyksen jälkeen, ovet ja ikkunanpielet mukaan lukien. Myös sisätilojen käsittelyä suositellaan.

Perustuspuut on käsitelty tehtaalla puunsuoja-aineella.

Pohjamaalaus kannattaa tehdä kyllästysaineella (sieni- ja hyönteistuoja vastaan) ja väli- ja pintamaalaus puuta suojaavalla korkealaatuisella kuultomaalilla (värjäytymät, UV-suoja, hilseilyuoja). Pohja- ja välimaali on levitettävä ennen kokoamista. Varmista ennen kokoamista, että hirret ovat kuivuneet. Pintamaali sivellään pystytyksen jälkeen.

Varmista aina, että maalissa on hyvä UV-suoja, ja noudata valmistajan ohjeita.

Lattian aluspuut on kyllästetty. Kyllästys suojaa puuta sieni- ja hyönteistuoilta.

Huolto:

Pinnat on tutkittava vaurioiden varalta säännöllisin väliajoin, vähintään kerran vuodessa.

Mahdolliset vauriot ja kuivuushalkeamat on korjattava välittömästi.

Pintojen hoidossa ja suojauksessa tulee käyttää korjausmaalia. Maalaustarve riippuu pinnan rasituksesta ja sijainnista ja pinta on maalattava ennen näkyvien vaurioiden syntymistä.

Huomioithan, että painetut värinäytteet eivät välttämättä vastaa oikeaa värisävyä. Väreissä voi olla poikkeamia.

Varastointijälkiä voi olla kokonaan maalatuissa osissa.

MUITA HUOMIOITAVIA ASIOITA

Piharakennusta on hyvä kohdella kuten päärakennustakin, joten huomioi myös seuraavat asiat huoltotöiden yhteydessä:

- poista roskat katolta (havunneulaset, oksat)
- puhdista säännöllisesti seinät hämähäkinseitistä ja muista roskista
- tyhjennä suuri lumikuorma talvisin katon päältä
- vältä sijoittamasta kasveja kiinni rakennuksen seiniin ja poista mahdolliset rikkaruohot rakennuksen ympäriltä.

TAKUU JA TAKUUASIOIDEN KÄSITTELY

Jos tuotteessa tai tuotteen osassa ilmenee vikaa takuuajana, osia puuttuu tai ne ovat viallisia, ole yhteydessä suoraan tuotteen ostopaikkaan. Myyjä hoitaa kaikki takuukäsittelyt.

Ennen takuuvaatimusten esittämistä lue kokoamisohje huolella läpi ja tarkista, ettei takuuvaatimus johdu ohjeiden vastaisesta käytöstä tai huollon laiminlyönnistä.

Takuuasioissa seuraavat tiedot on toimitettava maahantuojalle:

- rakennuksen merkki ja mallinimi
- reklamaation syy ja valokuvat
- viallisen osan osanumero
- kopio ostokuitista tai selvitys ostopaikasta sekä ostopäivämäärä
- kuluttajan nimi, puhelinnumero sekä katuosoitetiedot.

Yllä mainitut tiedot tulee toimittaa reklamaation tai takuuvaatimuksen yhteydessä. Valokuvat viasta auttavat reklamaation ja takuuasian nopeassa hoitamisessa. Ota reklamoidusta tuotteesta, osasta/viasta 1-3 valokuvaa ja näytä ne ostopaikassa reklamaation tekemisen yhteydessä tai liitä ne mukaan sähköiseen reklamaatioon.

Mikäli asennustyöt aloitetaan tai niitä jatketaan, on asiakas hyväksynyt tuotteen siinä kunnossa kuin se on toimitettu.

Huomioithan, että emme voi ottaa vastuuta seuraavista asioista:

- virheellinen varastointi tai säilytys ennen asennusta
- epäasianmukainen, riittämätön tai vääränlainen perustus
- pystytysvirheistä aiheutuvat vahingot, esim. rakennus ei ole vaakasuorassa tai rakennuksen kulmat eivät ole suorita.
- vahingot, jotka aiheutuvat suurista lumikuormista, myrskyvahingoista tai muista luonnonilmiöistä
- mahdollisten työmaalla muutettujen rakennelmien ja osien vahingoista tai rikkomisista
- luonnollisista halkeamista, oksanrei'istä, vinoumista, pihkaisuudesta, väri- tai vastaavista muutoksista, jotka ovat ominaisia luonnonmateriaalille.
- pintakäsittelyn laiminlyönnistä välittömästi pystytyksen jälkeen.

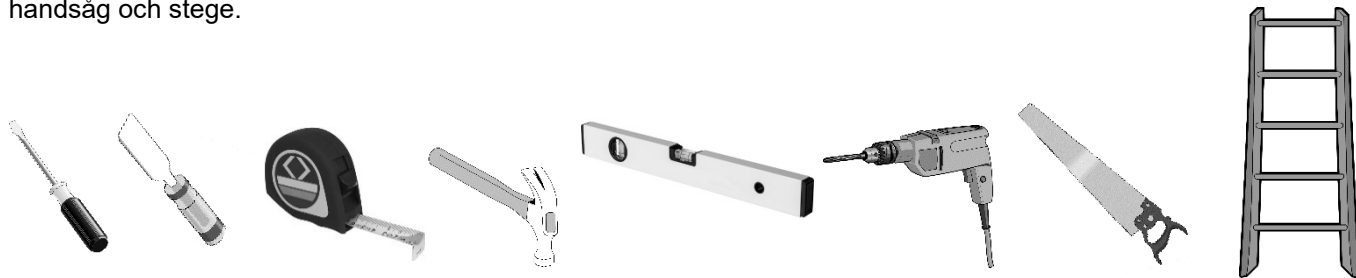
ALLMÄNNA INSTRUKTIONER

Tack för att du har valt Skan Holz -gårdsbyggnaden.

Läs instruktionerna och tipsen noggrant innan du börjar installeringen och spara dem för framtida bruk.

1. Innan du påbörjar installeringen eller ringer en installatör, ska du använda listan för delarna för att kontrollera, att alla byggnadens delar är tillgängliga. Om du upptäcker brister eller fel, vänligen kontakta din återförsäljare genast, så levererar vi en ny del så snart som möjligt.
Tyvärr kan vi inte ersätta kostnader för försening i installeringsarbetet.
2. Om produkten inte installeras omedelbart, rekommenderas lagring och förvaring på en plats som är väl skyddad från väder och sol. Förvara förpackningen på en plan yta och en bra bit från marken för att undvika att markfukten flyttar sig. Se till att det inte finns hål i förpackningsplasten där regnvatten kan tränga in, täck med en lätt presenning om det behövs.
Skyddande emballage och plastfolier bör avlägsnas precis innan man börjar installeringen, eftersom växlande väder kan få trädet att vrida sig när det är löst.
3. Innan monteringen påbörjas, sortera byggnadsdelarna enligt ritningarna i monteringsordning, så att arbetet fortskrider smidigt. Föredra ett torrt och jämnt underlag och undvik att sortera delarna direkt på gräs eller våta ytor, eftersom smuts som fastnar på delarna kan vara svårt att senare putsa bort.
4. Byggnaden måste placeras korrekt på fastigheten i förhållande till tomtgränser och andra byggnader. Byggnaden måste också uppfylla planbestämmelser och eventuella andra lokala bestämmelser.
5. När du väljer en plats för byggnaden, se till att den inte exponeras för extrema väderförhållanden (kraftigt snöfall eller vind).
6. Vi rekommenderar två personer för installeringen.
7. De bästa resultaten får du med en välgjord grundläggning. Se våra råd om grundläggning i avsnittet Grundläggning i installeringsanvisningen
8. Om ditt tak ständigt utsätts för väder och vind, bör du överväga att använda ett lämpligt takmaterial.
9. Var noga med att ta bort överflödigt snö från taket på vintern, så att inte tung snöbelastning skadar takkonstruktionen. Vid behov bör professionell hjälp anlitas för snöskottning och man bör också komma ihåg arbetssäkerheten.
10. Installation av eventuella vattenrännor är byggarens ansvar.
I det fallet måste takbrädorna förkortas till lämplig längd.
11. Virket är obehandlat, och därför är det viktigt med regelbunden skyddsbehandling. För anvisningar om skyddsbehandling, se Skötselansvisningar/målning i installeringsanvisningen
12. Säkerhet
Byggnadens alla träkomponenter är färdigbehandlade, men det är möjligt att det kan lossna stickor från dem.
Vi rekommenderar att man använder kläder med långa ärmar och ben, arbetshandskar och skyddsglasögon när man arbetar med virke.
13. Håll barn och husdjur borta från byggarbetsplatsen.
14. Följ alltid nationella bygg- och säkerhetsföreskrifter.
15. Observera, att vi inte kan ta ansvar för följande:
 - felaktig förvaring före installation
 - felaktig, otillräcklig eller felaktig grundläggning
 - skador som orsakats av monteringsfel, t.ex. att byggnaden inte är horisontell eller att byggnadens hörn inte är raka.
 - skador orsakade av tung snöbelastning, stormskador eller andra naturfenomen
 - eventuella skador på eller brott av strukturer som ändrats på byggplatsen
 - naturliga sprickor, kvisthål, snedfibrer, kådfläckar, missfärgning eller liknande förändringar, som är karakteristiska för naturmaterial.

De verktyg som behövs för monteringen, t.ex. skruvmejsel eller skruvdragare, rullmått, hammare, vattenpass, bormaskin, handsåg och stege.



De viktigaste stegen i monteringsarbetet i ordningsföljd:

1. Placera golvbjälklagen ovanpå grunden
2. Montering av den nedre väggskivan i golvbjälklaget
3. Montering av väggen
4. Installation av dörrar och fönster
5. Fastsättning av takbalkar, fastsättning av takskivor
6. Installation av golvbrädor
7. Installation av täcklistor, dörrar och fönster

GRUNDLÄGGNING

Grunden måste vara robust, eftersom den ska bära hela byggnadens vikt och förbli horisontell även efter att byggnaden har installerats.

Grunden bör läggas innan installeringen påbörjas, med hänsyn till marken och byggnadens storlek. Man bör noga i synnerhet ta hänsyn till eventuell tjälbenägen mark, när man lägger grunden.

Hur väl marken dränerar vatten, har också betydelse. Till exempel absorberar lerjord inte vatten, och detta bör beaktas i grundläggningsarbetet.

Man kan använda en lätt block- eller grundplatta på torr, vattenpermeabel och frostfri sandjord. I det här fallet räcker det med att ta bort och jämna ut det översta jordlagret.

I tjälbenägen mark, ta bort minst 30 cm jord, upp till tjäldjupet. Använd vid behov frostisoleringsskivor och dräneringsrör i tjälbenägen mark.

För tjälbenägen mark utan stora stenar, är spiralpålar också ett bra alternativ.

Vid användning av spiralpålar krävs ett plattfäste för pålen och ett vridverktyg som passar grundbjälkens dimensioner.

Under grundläggningen kan man använda filter- eller landskapsduk för att begränsa ogräsets tillväxt.

Se till att en sockellist placeras mellan blocket och grundbjälken, för att förhindra att fukt stiger upp från grunden till grundbjälken.

Golvet ska vara väl jämnat och helt horisontellt.

Vi rekommenderar en betongplatta eller en blockgrund, som balanserar belastningen av byggnaden och är lämplig för de flesta typer av mark.

Det är viktigt att säkerställa tillräcklig ventilation av undergolvet. Den vanligaste metoden är att göra golvet ventilerat genom att installera block eller plattor under grundbjälkarna. För varje Skan Holz byggnad finns en bild av blockstrukturen tillgänglig.

Se till att placera en bit filt mellan blocket och grundbjälken, för att förhindra att fukt stiger upp i träkonstruktionen

Om det behövs kan du fråga en expert om råd eller låta en fackman utföra grundläggningen.

Forma markytan på sockelkanten bort från byggnaden för att leda bort regnvatten.

Grundbjälkarna fästs i grunden med t.ex. hörnkonsoler (ingår ej).

Det är lämpligt att installera grundbjälkarna så, att de yttre bjälkarna kommer något inåt från väggarna.

Vi rekommenderar så, eftersom regnvatten från väggarna då inte kommer att fukta utrymmet mellan grundbjälken och det nedersta bjälke. Dessutom fungerar den yttersta grundbjälke som kantstöd för golvbrädorna.

I praktiken innebär detta att grunden görs 5–10 mm mindre än stugans yta.

MONTERING AV VÄGG

Var uppmärksam på väggplanen i bruksanvisningen när du installerar väggarna. Placera de första botten- och nedre halvväggbrädorna på golvbalkarna. Mät diagonalerna och se till att båda diagonalerna är lika. Skruva sedan från tappens väggskivor till golvbalken (förborra alltid hål för skruvarna). I mitten av väggen använd vinkelfästen för att skruva fast väggskivorna i golvbalkarna.

Bygg upp väggar enligt planen och när du nästan når toppen av dörren och fönsterhålet placerar du fönster och dörr i väggen. Skruva fast dörr och fönster i väggen ENDAST nedifrån, annars kan inte väggarna "fungera" och det blir horisontella mellanrum mellan väggskivorna. Om du har nått toppen med sidoväggarna så placera stålstångerna. Använd brickor, fjäder och mutter i botten och bricka + mutter upptill. Dra åt stålstången så att det blir ca 5,10 cm rörelseutrymme under och skär bort den överflödiga delen på toppen.

Fortsätt med gavlarna. Använd skruvarna som visas i manualen. Vänligen förborra hål för skruvar för att undvika att ta sönder väggskivorna. Markera och skär ut tungan vid behov. Placera takbjälkar enligt plan och skruva fast dem i väggskivorna.

Kontrollera stålstången då och då och dra åt vid behov.

MONTERING AV DÖRREN OCH FÖNSTRET

Sätt dörrkarmarna stadigt på plats. Fäst karmarna genom att skruva skruvarna genom karmarna och in i väggbrädorna. Vi rekommenderar att dörrarna monteras på karmarnas gångjärn först senare, så att dörren inte blir stött under byggtiden. Montera det separat medföljande låset och handtaget på dörren. För att dörren ska fungera som den ska är det viktigt att byggnaden står horisontellt, vid behov räta ut hörnet genom att kila. Om det behövs kan du räta ut dörrrens position genom att justera gångjärnets position på dörren eller karmen.

Väggskivorna monteras tills de når upp till fönstrets höjd. Skjut in fönstret med dess karm i fönsteröppningen och placera det mot väggskivan längst ner i öppningen. Fäst karmarna genom att skruva skruvarna genom karmarna och in i väggbrädorna. Se till att du inte monterar fönstret upp och ner, för då faller det från gångjärnen när du öppnar det.

MONTERING AV TAKBRÄDOR

Se till att du använder rätt brädor, eftersom tak-, vägg- och golvbrädorna har samma typ av profil. För att underlätta identifieringen, sortera de brädor som kommer in på olika sidor med de längder som anges i komponentlistan i sina egna grupper på byggarbetsplatsen.

Brädan kommer att leva lite beroende på luftfuktigheten, så lämna ett litet utrymme för svällande mellan varje bräda. Lämna ett mellanrum på ca 1...2 mm mellan takbrädorna. Det lämnas inget mellanrum mellan golvbrädorna, utan deras pont trycks helt ner i botten!

Trampa inte på taket! Takkonstruktionen är endast lämplig för att bära en jämn belastning (snö etc.), inte en punktbelastning!

TAKMATERIAL

Gårdsbyggnaderna levereras utan takmaterial.

Välj ett takmaterial som passar miljön och byggnaden. Populära takmaterial inkluderar rull- och blockfilt samt takplåt. Vi rekommenderar inte tegeltak, eftersom de är för tunga för lätta gårdsbyggnader.

Taket måste installeras omedelbart efter att byggnaden har uppförts för att säkerställa väderbeständighet. Om taket installeras med takfilt, rekommenderar vi att man använder två lager, underlagsfilt under och ytfilt ovanpå. På ett plattare tak än 11 grader bör självhäftande rullfilt användas, medan på ett brantare tak än 11 grader, är blockfilt också ett alternativ.

Vid användning av ett förseglat tak krävs inget separat underlag och det kan även användas på sluttande och platta tak.

Förutom takmaterial kan du skaffa ett material som passar ihop med dropp- och takerännor.

Vid behov bör man också installera rännor och stuprör för att leda bort vatten från tak och väggar.

SKÖTSELANVISNINGAR FÖR UNDERHÅLL OCH MÅLNING

Byggnadens trädelar är obehandlade, så det är viktigt med regelbunden skyddsmålning. Byggnaden bör träskyddas eller målas så snart som möjligt efter montering, inklusive dörrar och fönsterkarmar. Behandling av de inre ytorna rekommenderas också.

Grundbjälkarna har behandlats på fabriken med ett träskyddsmedel.

Grundskiktet bör utföras med ett impregneringsmedel (mot svamp- och insektsangrepp) och mellan- och toppskiktet med en högkvalitativ träskyddande träfernis (mot missfärgning, UV-skydd, flagning). En primer och mellanskikt måste appliceras före montering. Se till att stockarna är torra innan du monterar dem. Den täckande målfärgen appliceras efter montering.

Se alltid till att målfärgen har ett bra UV-skydd och följ tillverkarens anvisningar.

Golvbjälklagen är impregnerade. Impregneringen skyddar virket mot svamp- och insektsskador.

Underhåll:

Ytorna bör inspekteras för skador med jämna mellanrum, minst en gång om året.

Eventuella skador eller torksprickor måste repareras omedelbart.

En reparationsmålfärg bör användas för att behandla och skydda ytorna. Behovet av målning beror på ytans påfrestning och placering och ytan bör målas innan synliga skador uppstår.

Observera, att tryckta färgprover kanske inte helt överensstämmer med den faktiska färgnyansen. Det kan förekomma variationer i färgerna.

Lagringsmärken kan förekomma på helmålade delar.

ANDRA SAKER ATT OBSERVERA

Det är en bra idé att behandla gårdsbyggnaden som huvudbyggnaden, så tänk också på följande när du utför underhållsarbete:

- ta bort skräp från taket (tallbarr, grenar)
- rengör regelbundet väggarna från spindelväv och annat skräp
- skotta bort stor snöbelastning från taket om vintern
- undvik att placera växter mot byggnadens väggar och ta bort ogräs runt byggnaden.

GARANTI OCH HANTERING AV GARANTIÄRENDEN

Om en produkt eller en del av en produkt är defekt, saknas eller är felaktig under garantiperioden, kontakta produktens inköpsställe. Försäljaren tar hand om all garantihantering.

Innan du gör ett garantianspråk ska du läsa monteringsanvisningarna noggrant och kontrollera, att garantianspråket inte beror på felaktig användning eller försummelse.

För garantiändamål måste följande information lämnas till importören:

- byggnadens fabrikat och modellbeteckning.
- orsaken till reklamationen och foton
- artikelnumret för den defekta delen
- en kopia av inköpskvittot eller en redogörelse för inköpsstället och inköpsdatumet
- konsumentens namn, telefonnummer och gatuadress.

Ovanstående information måste bifogas reklamationen eller garantianspråket. Fotografier av felet hjälper till att snabbt hantera reklimations- och garantifrågan. Ta 1–3 foton av produkten, delen/defekten som du klagar på och visa dem på inköpsstället när du gör reklamationen eller bifoga dem till den elektroniska reklamationen.

Om installationsarbetet påbörjas eller fortsätter har kunden accepterat produkten i det skick den levererats.

Observera, att vi inte kan ta ansvar för följande:

- felaktig förvaring eller förvaring före installering
- felaktig, otillräcklig eller felaktig grundläggning
- skador som orsakats av monteringsfel, t.ex. att byggnaden inte är horisontell eller att byggnadens hörn inte är raka.
- skador orsakade av tung snöbelastning, stormskador eller andra naturfenomen
- eventuella skador eller brott i strukturer och delar som ändrats på byggplatsen
- naturliga sprickor, kvisthål, snedfibrer, kådfläckar, missfärgning eller liknande förändringar, som är karakteristiska för naturmaterial.
- underlåtenhet att behandla ytan omedelbart efter monteringen.

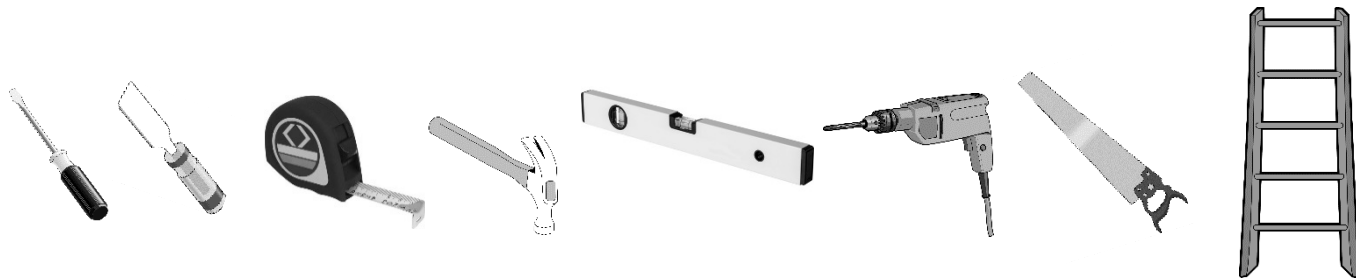
ÜLDJUHISED

Täname, et valisite Skan Holz aiamaaja.

Enne püstitamise alustamist tutvuge hoolikalt juhendis esitatud juhiste ja nõuannetega ning hoidke juhend alles.

1. Enne püstitamise alustamist või paigaldajate kutsumist veenduge osade loendamise teel, et kõik hoone osad oleksid olemas. Kui märkate defekte või vigu, võtke nii kiiresti kui võimalik ühendust edasimüüjaga, et saaksime tarnida uued osad.
Kahjuks ei ole meil võimalik hüvitada paigaldustööde edasilükkumisest tulenevaid kulusid.
2. Kui te ei paigalda toodet kohe, on soovitatav panna see hoiule ilmaolude ja päikese eest kaitstud kohta. Hoidke pakend tasasel alusel ja maapinnast piisavalt kõrgel, et vältida pinnase niiskusest tulenevaid kahjustusi. Veenduge, et kilepakendil ei oleks auke, kust vihmavesi võib sisse pääseda. Vajaduse korral kasutage lisakaitseks koormakattet. Eemaldage kaitsekile ja muu pakkematerjal vahetult enne püstitamise alustamist, sest ilmaolude tõttu võib puit väänduda.
3. Enne tööde alustamist pange hoone osad jooniste järgi monteerimise järjekorda. Nii edeneb töö sujuvamalt. Eelistage kuiva ja tasast aluspinda ning vältige osade asetamist otse murule või märjale pinnasele, sest osadele kleepuvat mustust on hiljem raske puhastada.
4. Hoone tuleb paigutada krundile sobival moel nii piiride ja kui ka teiste hoonete suhtes. Hoone peab vastama ka detailplaneeringu eeskirjadele ja muudele kohalikele nõuetele.
5. Hoone asukoha valimisel veenduge, et see ei oleks otseselt avatud äärmuslikele ilmastikutingimustele (tugevale lumesajule või tuulele).
6. Soovitame monteerida vähemalt kahekesi.
7. Parima lõpptulemuse saab, kui hoonel on ka korralik vundament. Vt vundamenti puudutavaid nõuandeid montaažijuhendi punktist „Vundament“.
8. Katus on pidevalt ilmaolude meelevaldas, seepärast kasutage sobivat katusekattematerjali.
9. Talvel eemaldage katusele üleliigne lumi, et suur koormus ei kahjustaks katusekonstruktsiooni. Vajaduse korral tuleb lume eemaldamiseks kasutada professionaalide abi ja kindlasti tagada tööohutus.
10. Võimalike vihmaveesüsteemide paigaldamise eest vastutab hoone püstitaja.
Nende kasutamisel tuleb lõigata katuselauad sobivale pikkusele.
11. Tarnitav puitmaterjal on töötlemata, seetõttu on tähtis teha korrapäraselt kaitsetöötlust. Vt kaitsetöötlust puudutavaid juhiseid montaažijuhendi punktist „Hooldusjuhised/värvimine“.
12. Ohutus
Kõik hoone puitosad on viimistletud, kuid on võimalik, et neil esineb pinde.
Soovitame puidu käsitlemisel kanda pikkade varrukatega pluuse ja sääreosadega pükse, töökindaid ning kaitseprille.
13. Hoidke lapsed ja lemmikloomad ehituskohast eemal.
14. Järgige alati riiklikke ehitus- ja ohutusnõudeid.
15. Tuleb arvestada, et tootja ei saa võtta vastutust järgmiste asjaolude eest:
 - vale ladustamine enne paigaldamist;
 - ebasobiv, ebapiisav või vale vundament;
 - monteerimisvigadest tekkivad kahjud, nt kui hoone ei ole loodis või kui hoone nurgad ei ole sirged;
 - suurest lumekoormusest, tormidest või muudest loodusnähtustest tekkivad kahjud;
 - võimalikest kohapeal muudetud konstruktsioonidest tekkivad kahjustused või purunemised;
 - looduslikud praod, oksaaugud, kõverdumine, vaigu eraldumine, värvimuutused või muud looduslikule materjalile iseloomulikud defektid.

Monteerimisel vajalikud tööriistad on (aku)kruvikeeraja, mõõdulint, haamer, vesilood, trell, käsisaag ja redel.



Monteerimise peamised etapid nende järjekorras:

1. Põrandatalade paigaldamine vundamendi peale
2. Alumise seinalaua kinnitamine põrandatalade külge
3. Seinade monteerimine
4. Uste ja akende paigaldamine
5. Katusetalade kinnitamine, katuselaudade kinnitamine
6. Põrandalauade paigaldamine
7. Katteliistude paigaldamine ustele ja akendele

VUNDAMENT

Vundament peab olema tugev, sest see kannab kogu hoone raskust ja peab jääma horisontaalseks ka pärast hoone püstitamist.

Vundament tuleb rajada enne monteerimise alustamist, võttes arvesse pinnase seisukorda ja hoone suurust. Vundamendi tegemisel tuleb kindlasti arvestada pinnase võimalikke külmakerkeid.

Tähtis on ka see, kui hästi pinnas vett ära juhib. Näiteks savipinnas ei ima vett ja seda tuleb vundamendi rajamisel arvesse võtta.

Kuival, vett hästi läbilaskval ja mittekülmakerkelisel liivapinnasel võib kasutada kergest plokki- või plaatvundamenti. Sellisel juhul piisab lihtsalt pealispinnase eemaldamisest ja tasandamisest.

Külmakerkelise pinnase puhul tuleb pinnast eemaldada vähemalt 30 cm või kuni külmumispiirini. Vajaduse korral kasutage külmakerkelises pinnases soojustusplaate ja kuivendustorusid.

Suuremate kivideta külmakerkelise pinnase puhul on hea valik ka spiraalvaiad.

Spiraalvaiade kasutamisel on vaja aluspuu mõõtmetele sobivat kinnitusosa ja pöörämistöõriista.

Hoone all võib kasutada geotekstiili, mis tõkestab umbrohtude kasvamist.

Vundamendiplokkide ja aluspuu vahel tuleb kasutada ruberoidist sokliriba, mis tõkestab niiskuse liikumist vundamendist aluspuudesse.

Aluspind peab olema hästi tasandatud ja loodis.

Soovitame kasutada betoonplaat- või plokkvundamenti, mis ühtlustab hoone avaldatavat koormust ja sobib enamikule pinnasetüüpidele.

Tähtis on tagada põrandaaluse ruumi piisav õhuvahetus. Kõige tavalisem moodus selle tagamiseks on paigaldada aluspuu alla plokid või plaadid. Iga Skan Holz hoone kohta on olemas plokkvundamendi joonis.

Pange kindlasti ploki ja aluspuu vahele ruberoidiriba, et vältida niiskuse tungimist puitu.

Vajaduse korral küsige nõu asjatundjalt või laske vundament teha spetsialistil.

Sademevee eemaldamiseks kujundage maapind sokli ääres kaldega hoonest eemale.

Aluspuud kinnitatakse vundamendi külge näiteks ehitusnurkade abil (ei kuulu komplekti).

Aluspuud on soovitatav paigaldada nii, et välimised aluspuud jääksid seintest veidi sissepoole.

See on vajalik seetõttu, et sel moel ei voola seintelt tulev vihmavesi aluspuu ja esimese laua vahele. Peale selle toimivad välimised aluspuud põrandalauade servatugedena.

Praktikas tähendab see, et vundament tehakse 5–10 mm väiksem, kui on hoone pindala.

SEINA MONTEERIMINE

Seinte paigaldamisel pöörake tähelepanu kasutusjuhendis toodud seinaplaanile. Asetage alumised ja alumised poolikud seinalauad pörandataladele. Mõõtke diagonaalid ja veenduge, et mõlemad diagonaalid on võrdsed. Seejärel kruvige seinalauad tappidest pörandatala külge (kruvide jaoks puurige alati augud ette). Seinakeskel kasutage metallist nurgikuid, et kruvida seinalauad pörandatalade külge.

Püstitage seinad vastavalt plaanile ja kui jõuate peaaegu ukse ja aknaaugu ülaossa, asetage aken ja uks seinasse. Kruvige uks ja aken seinakülge AINULT alt, muidu ei saa seinad "töötada" ja seinalaudade vahele võivad jääda horisontaalsed vahed. Kui olete jõudnud külgsaintega tippu, asetage terasvardad ettepuuritud aukudesse. Kasutage allosas seibe, vedru ja mutrit ning üleval seibi ja mutrit. Pingutage terasvarrast nii, et alla jääks umbes 5-10 cm liikumisruumi ja lõigake üleliigne osa ülevalt ära.

Jätkake otsaviiludega. Kasutage juhendis näidatud kruvisid. Palun puurige eelnevalt kruvide jaoks augud, et vältida seinalaudade purunemist. Märgistage ja lõigake laetalade alt seinalaua punni osa vajadusel välja. Asetage katusetalad vastavalt plaanile ja kruvige need seinalaudade külge.

Kontrollige terasvardaid aeg-ajalt ja vajadusel pingutage.

UKSE JA AKNA MONTEERIMINE

Paigaldage ukseleengid kindlalt oma kohale. Kinnitage leengid, keerates kruvid läbi leengide seinalaudadesse. Soovitame ukseid paigaldada leengide hingedele alles hiljem, et ukseid ei saaks ehitamise ajal kahjustada. Paigaldage ukse külge eraldi tarnitud lukk ja käepide. Ukse korraliku töö tagamiseks on oluline, et hoone oleks loodis. Vajadusel kohandage asendit nurgakiilude abil. Vajaduse korral saab ukse asendit korrigeerida, reguleerides ukse või leengi hingede asendit.

Seinalauad paigaldatakse esmalt kuni akna kõrguseni. Paigaldage aken koos leengiga aknaavasse ja seadke see vastu ava allosas asuvat seinalauda. Kinnitage leengid, keerates kruvid läbi leengide seinalaudadesse. Veenduge, et te ei paigalda akent tagurpidi, sest muidu kukub see avamisel hingedelt maha.

KATUSELAUDADE PAIGALDAMINE

Vaadake üle, kas kasutate õigeid laudu, sest lae-, sein- ja pörandalauad on sama tüüpi profiiliga. Tuvastamise hõlbustamiseks sorteerige eri kohtadesse paigaldatavad lauad osade loendis nimetatud pikkuse järgi eraldi rühmadesse.

Laud võib niiskusest tulenevalt pisut mängida, seepärast jätkake iga laelaua vahele väike paisumisvahe. Laelaudade vahele jätta umbes 1..2 mm vahe. Pörandalaudade vahele ei tohi pragusid jätta. Nende punnid tuleb lõpuni soonde suruda!

Ärge astuge katusele! Katusekonstruktsioon on mõeldud kandma ühtlast koormust (lumi vms), mitte punktkoormust!

KATUSEKATTEMATERJALID

Õuehooned tarnitakse ilma katusekattematerjalita.

Valige keskkonda ja hoonele sobiv katusekattematerjal. Populaarsed materjalid on rull- ja tükkruberoid ning katuseplekk. Kivikatus ei ole soovitatav, sest see on kerge aiama ja jaoks liiga raske.

Ilmastikukindluse tagamiseks tuleb kattematerjal paigaldada kohe pärast hoone püstitamist.

Kui valite ruberoidi, soovitame kasutada kaht kihti, alla aluskiht ja peale pinnakiht.

Alla 11° kaldega katustel tuleb kasutada liimitavat rullmaterjali. Sellest järsumatel katustel võib kasutada ka tükkruberoidi. Tihedalt ühendatavate materjalide korral pole eraldi aluskatet vaja ning neid võib kasutada ka laugetel ja lamekatustel.

Peale katusekattematerjali võib paigaldada ka materjaliga sobivaid tilga- ja räästaplekid.

Vajaduse korral tuleb paigaldada ka vihmaveerennid ja -torud vee juhtimiseks katusest ning seintelt eemale.

HOOLDUS- JA VÄRVIMISJUHISED

Hoone puitdetailid on töötlemata, mistõttu on regulaarne kaitsevärvimine vältimatu. Hoone, sealhulgas ka ukсед ja aknaraamid, tuleb nii kiiresti kui võimalik töödelda pärast püstitamist puidukaitsevahendiga või värviga. Soovitame töödelda ka siseruumide pindu.

Aluspuud on tehases töödeldud puidukaitsevahendiga.

Kruntida tuleb immutusainega (seente ja kahjurputukate vastu) ning vahe- ja pinnavärvimine tuleb teha puitu kaitsva kvaliteetse lasuurvärviga (ühtlustab värvitooni, UV-kaitse, ei kooru). Krunt- ja vahekiht tuleb peale kanda enne monteerimist. Enne monteerimist veenduge, et kasutatud vahend oleks kuivanud. Pinnavärv kantakse peale pärast püstitamist.

Veenduge alati, et värvil oleks hea UV-kaitse ja järgige tootja juhiseid.

Põranda aluspuud on immutatud. Immutamine kaitseb puitu seene- ja putukakahjustuste eest.

Hooldus:

Pindu tuleb regulaarselt kahjustuste suhtes kontrollida – vähemalt kord aastas.

Kõik kahjustused ja kuivamispraod tuleb viivitamata parandada.

Pindade hooldamiseks ja kaitsmiseks tuleb kasutada remondivärvi. Värvimisvajadus sõltub pinna koormusest ja asukohast ning pinda tuleb värvida enne nähtavate kahjustuste tekkimist.

Pange tähele, et trükitud värvinäidised ei pruugi vastata tegelikule värvitoonile. Värvid võivad olla erinevad.

Ülevärvitud osadel võib esineda ladustamisjälgi.

MUUD ARVESTATAVAD ASJAOLUD

Õuehooneid tuleb hooldada nagu elumaja. Hooldamisel pidage meeles järgmist:

- Eemaldage katuselt praht (okkad, oksad jms).
- Puhastage regulaarselt seinu ämblikuvõrkudest ja muust mustusest.
- Talvel eemaldage katuselt suurem lumi.
- Ärge istutage taimi vastu hoone seina ja eemaldage hoone ümbrusest võimalik umbrohi.

GARANTII JA GARANTIIPROBLEEMIDE LAHENDAMINE

Kui tootel või mõnel selle osal ilmneb garantiiperioodil viga, mingeid osi on puudu või need on defektsed, pöörduge otse toote ostukohta. Toote edasimüüja hoolitseb kõigi garantiiga seotud toimingute eest.

Enne garantiinõude esitamist lugege montaažijuhend hoolikalt läbi ja veenduge, et garantiinõue ei oleks seotud toote juhiseid eirava kasutamise või puuduliku hooldusega.

Garantiiga seotud küsimustes esitage maaletoojale järgmised andmed:

- hoone mark ja mudeli nimi;
- kaebuse põhjus ja fotod;
- defektse osa number;
- koopia ostutšekist või muu ostukoha tõend ja ostukuupäev;
- kasutaja nimi, telefoninumber ja aadress.

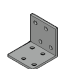

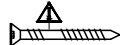
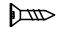
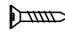
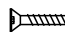
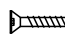
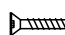
Nimetatud andmed tuleb esitada koos kaebuse või garantiinõudega. Defektist tehtud fotod aitavad kaebust ja garantiiküsimusi kiiremini lahendada. Tehke kaebuse aluseks olevast tootest või selle osast/veast 1–3 fotot ja näidake neid ostukohas kaebuse esitamise ajal või lisage need elektrooniliselt edastatavale kaebusele.

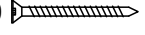


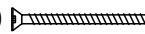

Kui paigaldustöid alustatakse või jätkatakse pärast defekti avastamist, on klient võtnud toote vastu sellisel kujul, nagu see tarniti.

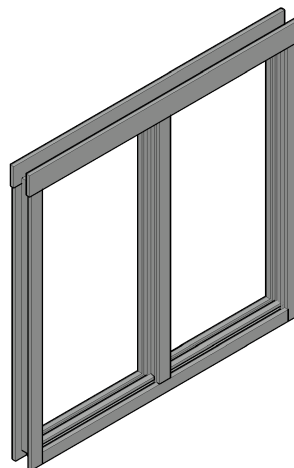
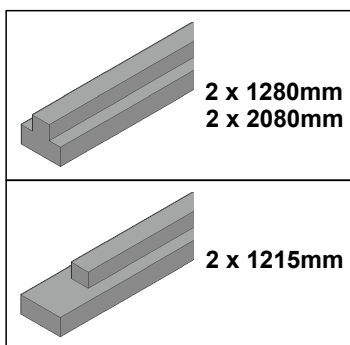
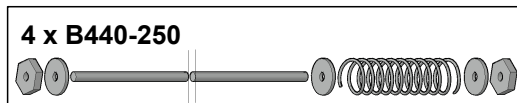
Tuleb arvestada, et tootja ei saa võtta vastutust järgmiste asjaolude eest:

- ebaõige ladustamine või hoidmine enne paigaldamist;
- ebasobiv, ebapiisav või vale vundament;
- monteerimisvigadest tekkivad kahjud, nt kui hoone ei ole loodis või kui hoone nurgad ei ole sirged;
- suurest lumekoormusest, tormidest või muudest loodusnähtustest tekkivad kahjud;
- võimalikest kohapeal muudetud konstruktsioonidest ja osadest tekkivad kahjud või purunemised;
- looduslikud praod, oksaaugud, kõverdumine, vaigu eraldumine, värvimuutused või muud looduslikule materjalile iseloomulikud defektid;
- pinna töötlemata jätmise kohe pärast püstitamist.

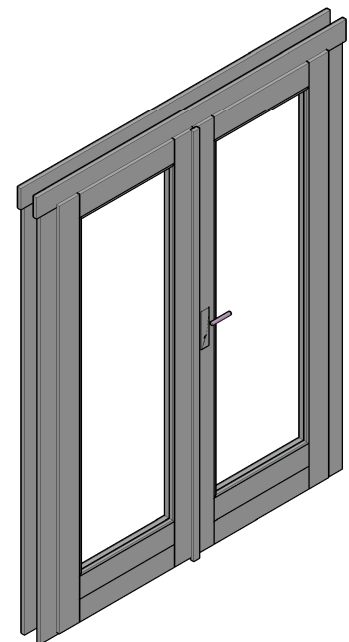
EN List of parts / FI Osaluettelo / SV Lista över delar / ET Osade loend

4	x B100		
5	x		
14	x B104-110		110mm
120	x B105-030		30mm
440	x B105-040		40mm
600	x B105-050		50mm
730	x B105-060		60mm
70	x B105-080		80mm

50	x B105-100		100mm
60	x B105-120		120mm
4	x B105-140		140mm
4	x B105-180		180mm
14	x B105-200		200mm



2 x 70-DF-03



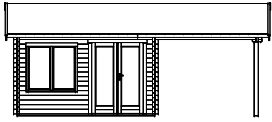
1 x 70-DT-02

EN A more detailed list of components is available as a separate instruction in the package! Start the assembly by placing the same parts in their own groups on the building site on a clean surface.

FI Yksityiskohtaisempi osaluettelo erillisenä ohjeena paketissa! Aloita pystytys asettamalla samat osat omiin ryhmiinsä rakennuspaikalle puhtaan alustan päälle.

SV En mer detaljerad komponentlista som en separat instruktion i paketet! Börja monteringen genom att placera samma delar i sina egna grupper på byggsplatsen på ett rent underlag.

ET Täpsem osade loend on pakendis eraldi kaasas! Alustage monteerimist, paigutades ühesugused osad ehitusplatsil eraldi kohtadesse puhtale alusele.



700 x 380cm

761883



3

136 x 28x121x2370mm

4 x 25x55x3800mm

4 x 16x101x3800mm

6 x 58x58x3764mm

35 x 28x121x3655mm

6 x 19x58x3000mm

2 x 58x113x3990mm

2 x 58x113x3564mm

2 x 43x120x350mm

2 x 43x120x500mm

4 x 16x58x2520mm

12 x 20x20x2000mm

4 x 28x140x2520mm

2 x 120x120x2440mm

a 8 x 19x120x245mm

b 8 x 19x120x520mm

c 4 x 19x120x765mm

1 2 x 70x180x4265mm

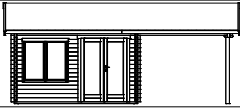
2 1 x 70x180x4265mm

3 2 x 70x180x4265mm

4 2 x 70x180x3520mm

5 1 x 70x180x3520mm

6 2 x 70x180x3520mm



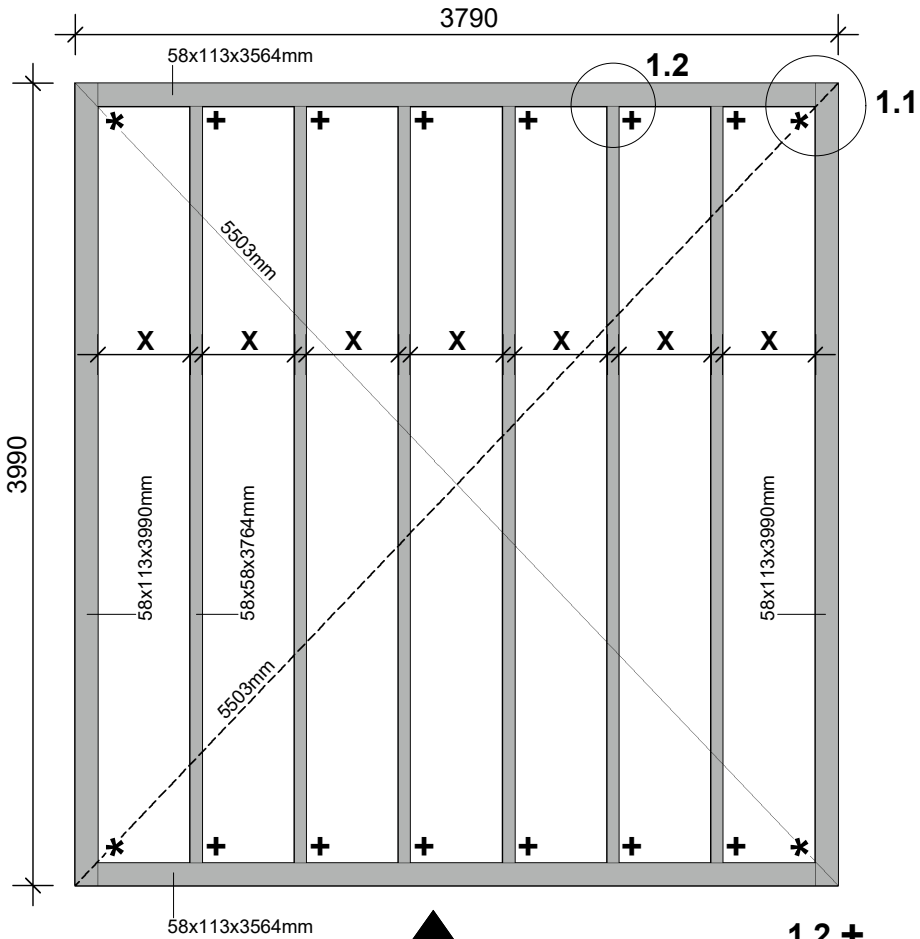
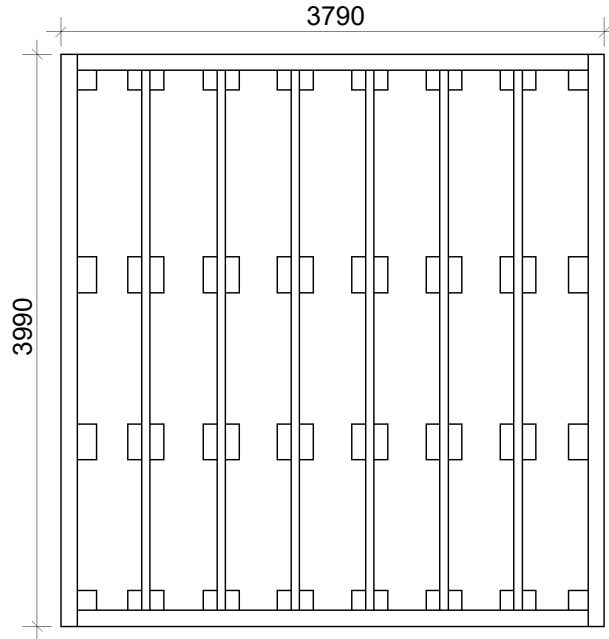
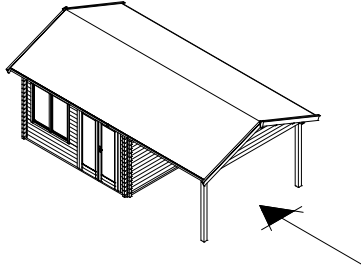
700 x 380cm

761883

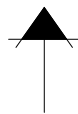
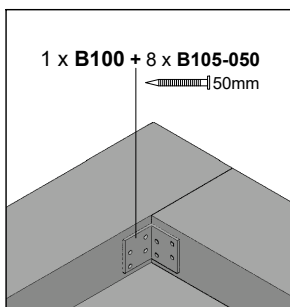


1

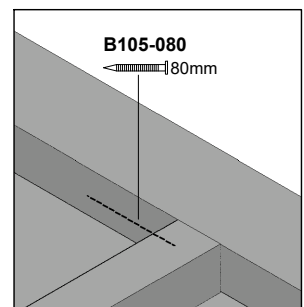
- EN Structural plan for a block foundation
- FI Perustuskuva harkoilla
- SV Grundläggning med blockplattor
- ET Plokkvundamendi joonis

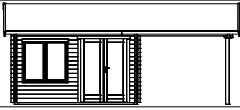


1.1 *



1.2 +



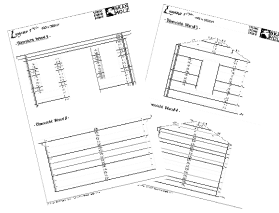


700 x 380cm

761883

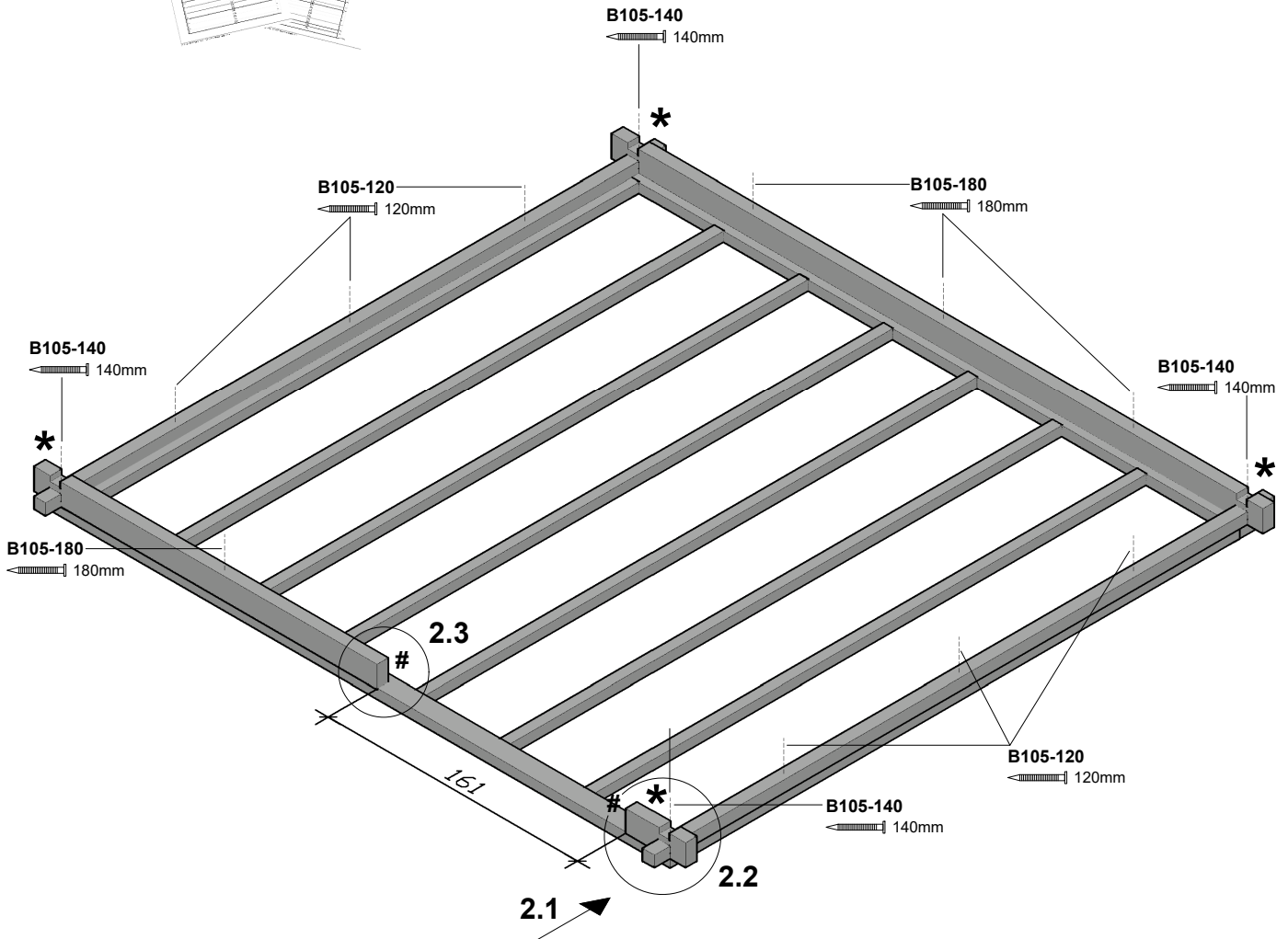


2



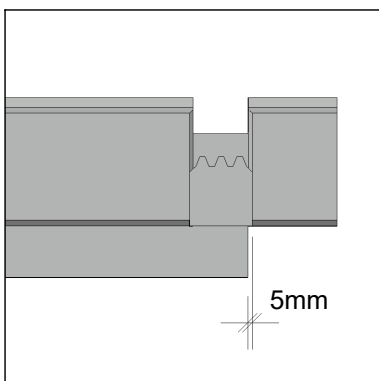
EN Please note!
FI Huomaa!
SV Vänligen notera!
ET Pange tähele!

5

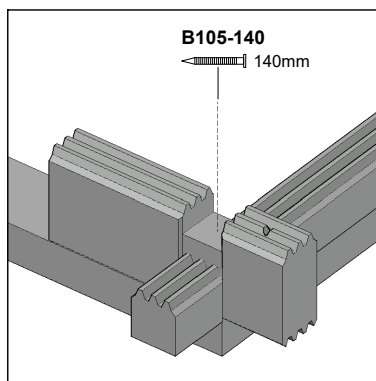


EN Pre drill screw holes!
FI Pora ruuvien reiät etukäteen!
SV Förborra skruvhål!
ET Puurige kruvi augud ette!

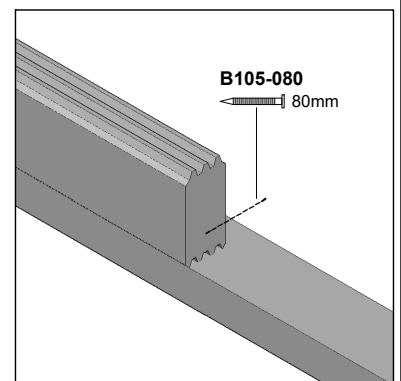
2.1

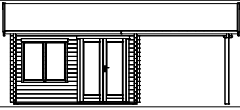


2.2 *



2.3 #



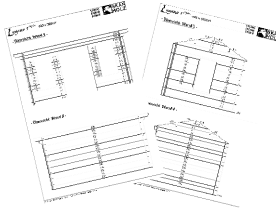


700 x 380cm

761883

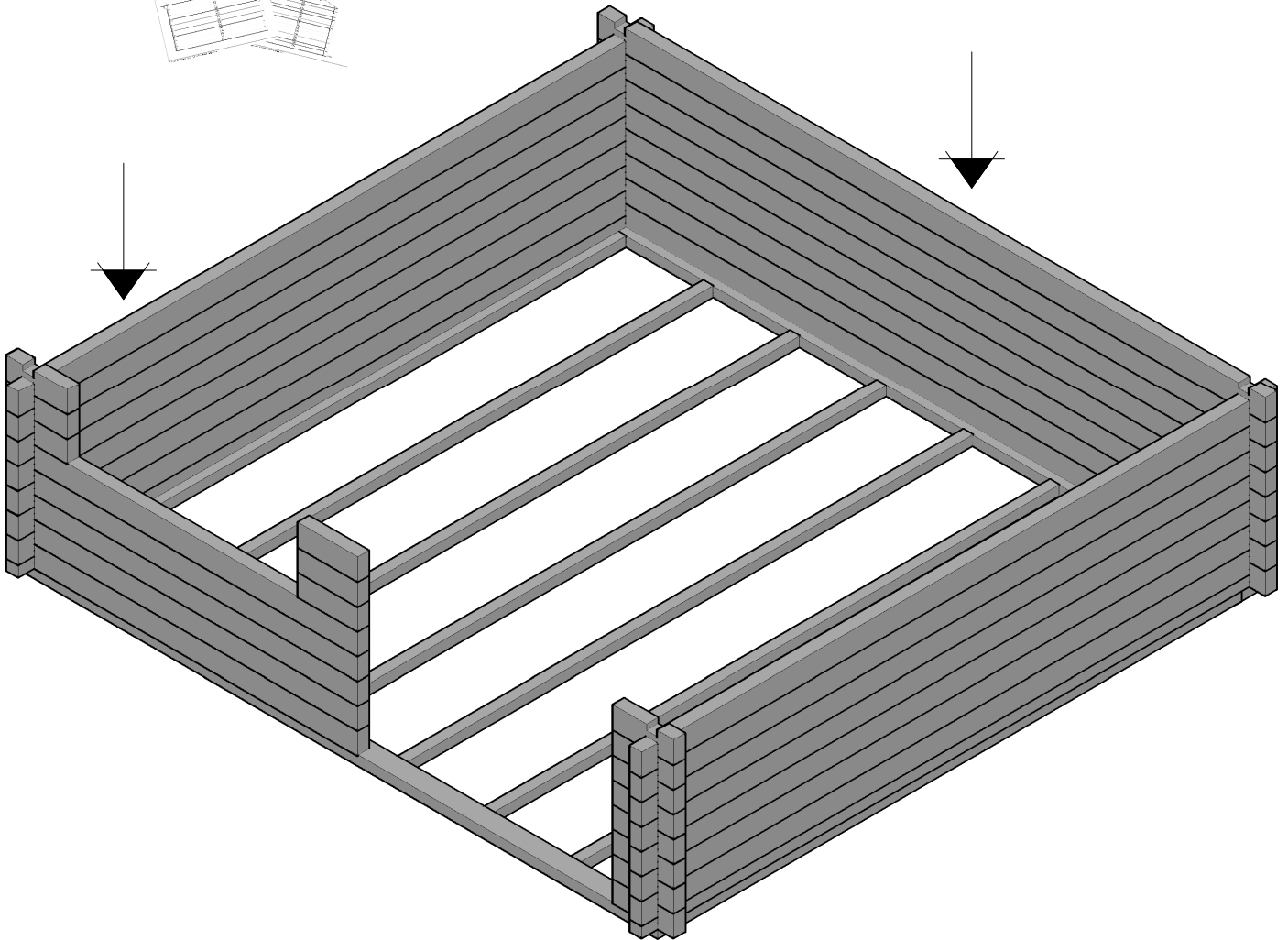


3

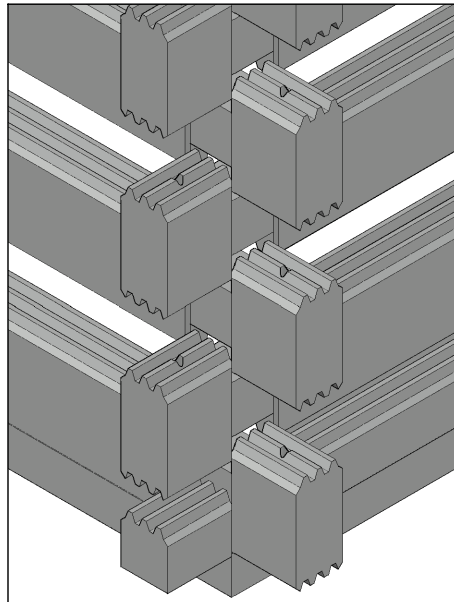


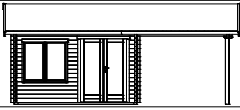
EN Please note!
FI Huomaa!
SV Vänligen notera!
ET Pange tähele!

6



3.1



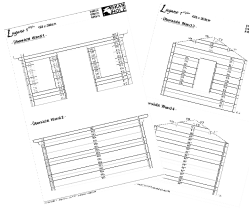


700 x 380cm

761883

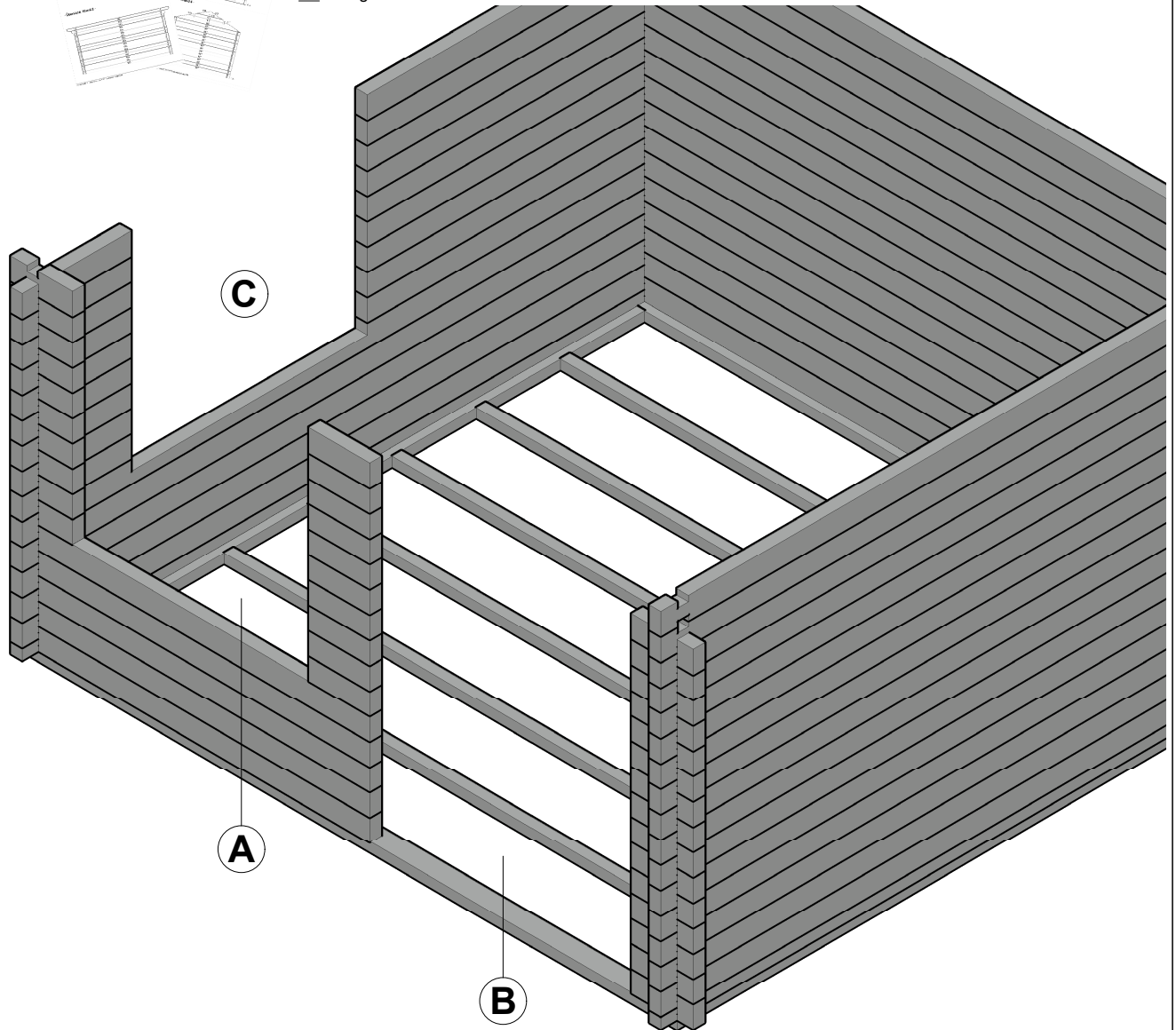


4



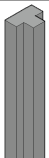
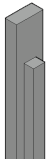
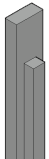
EN Please note!
FI Huomaa!
SV Vänligen notera!
ET Pange tähele!

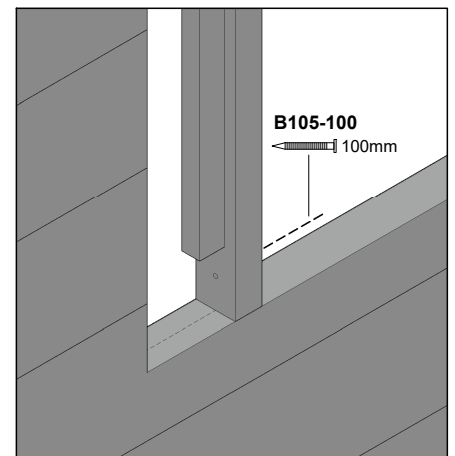
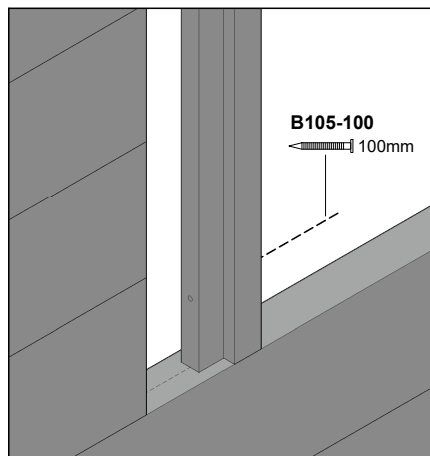
7

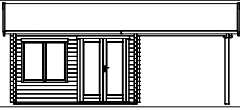


4.1 A + B

4.2 C

	A 2 x 1280mm + 2 x B105-100 ← 100mm
	B 2 x 2080mm + 2 x B105-100 ← 100mm
	C 2 x 1215mm + 2 x B105-100 ← 100mm





700 x 380cm

761883

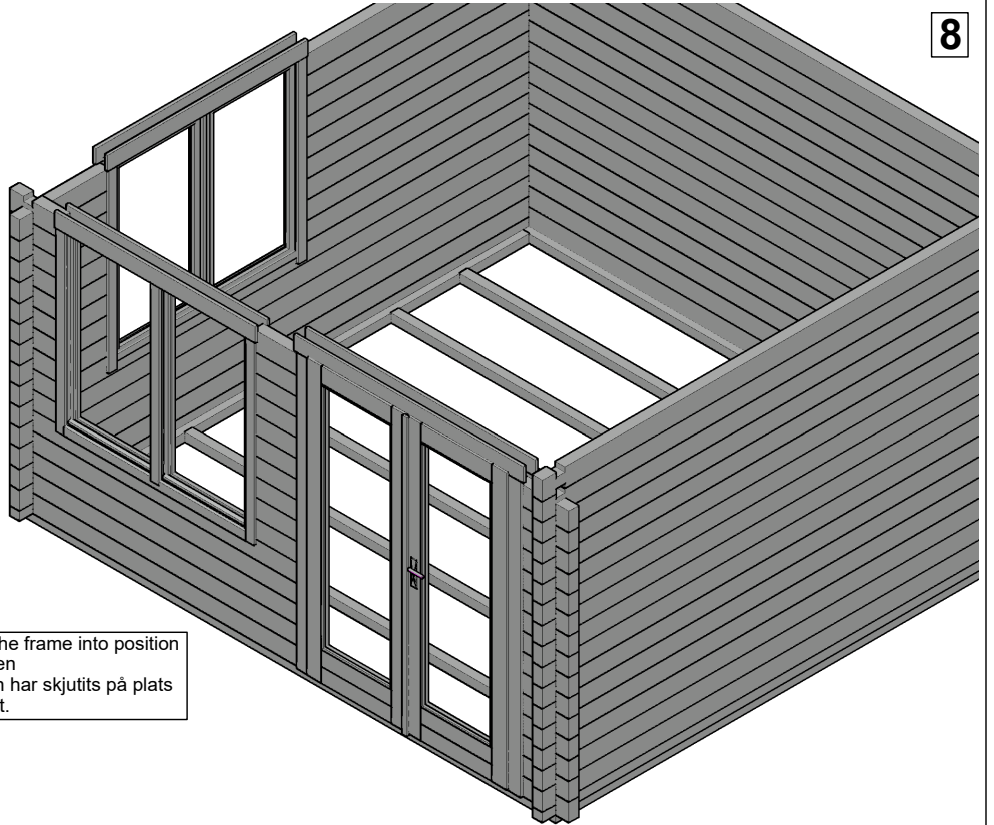


5

8



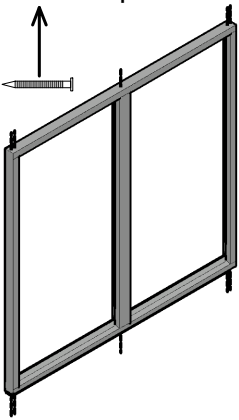
EN Pre drill screw holes!
 FI Pora ruuvien reiät etukäteen!
 SV Förborra skruvhål!
 ET Puurige kruvi augud ette!



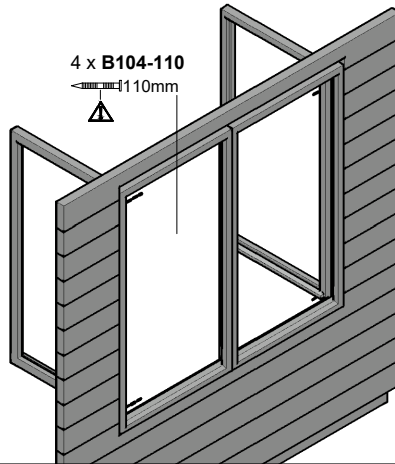
EN Hang the doorleaf on the hinges **after** pushing the frame into position
 FI Asenna ovenpuolisko karmen asennuksen jälkeen
 SV Häng dörrbladet på gångjärnen **efter** att karmen har skjutits på plats
 ET Paigalda ukseleht peale ukseraami paigaldamist.

EN Included in the window package!
 FI Sisältyy ikkunapakettiin!
 SV Ingår i fönsterpaketet!
 ET Sisaldub aknapaketis!

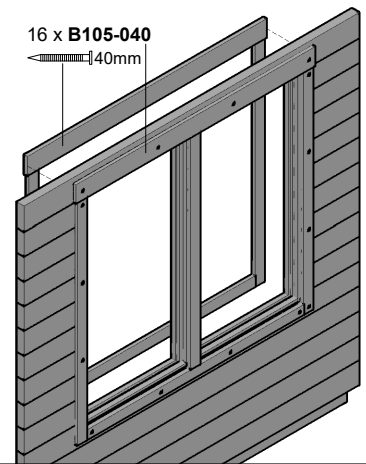
10 x
90mm



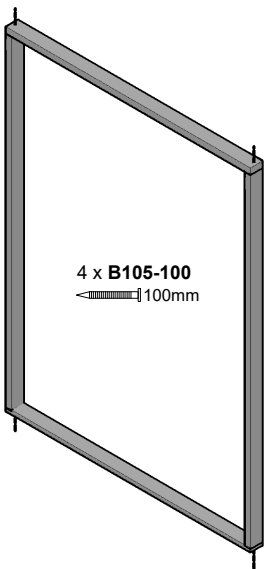
4 x B104-110
110mm



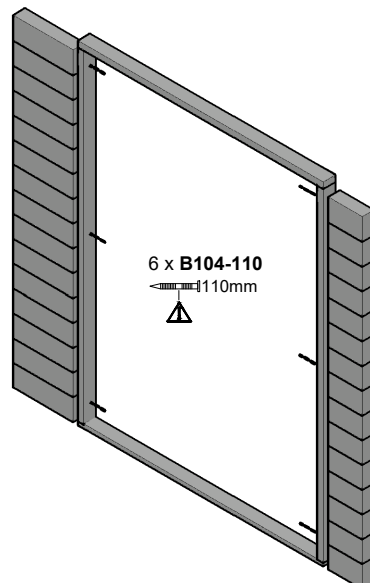
16 x B105-040
40mm



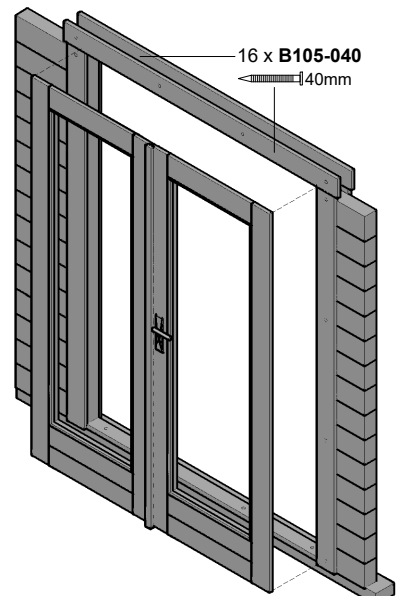
4 x B105-100
100mm

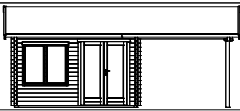


6 x B104-110
110mm



16 x B105-040
40mm





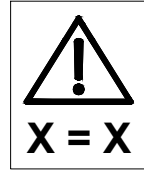
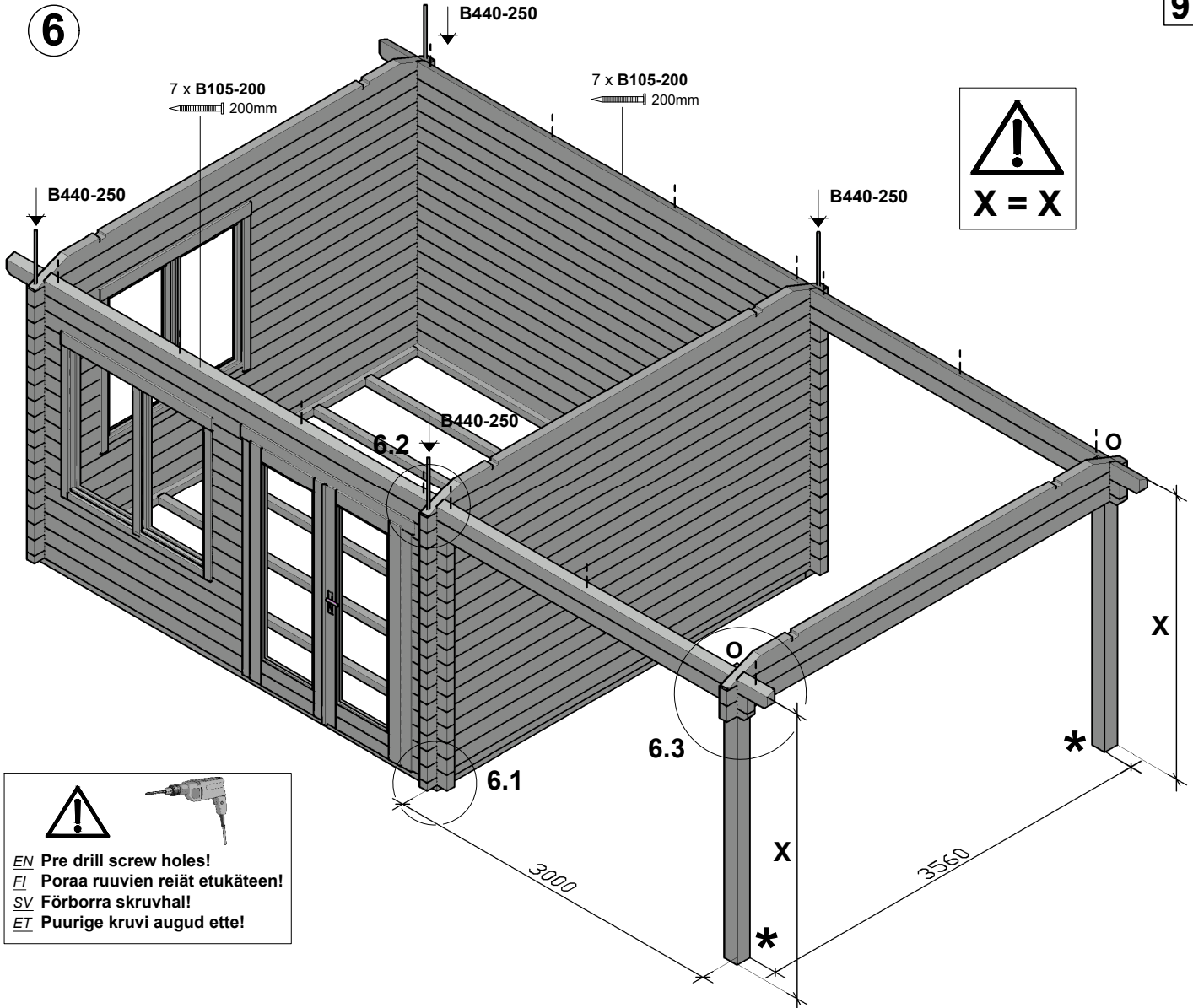
700 x 380cm

761883



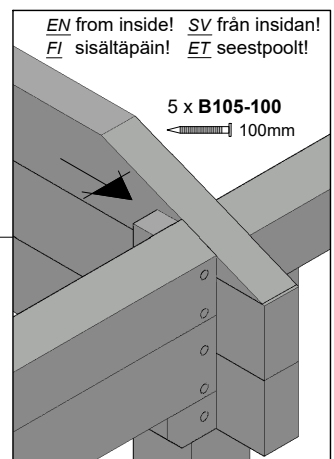
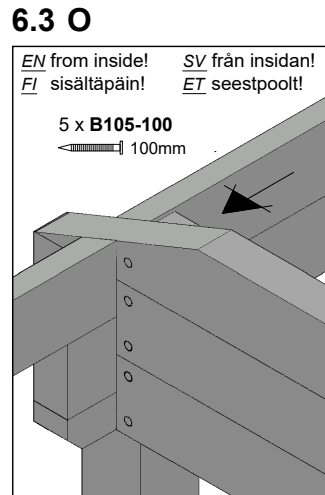
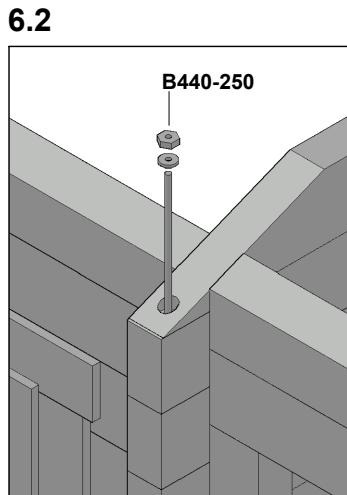
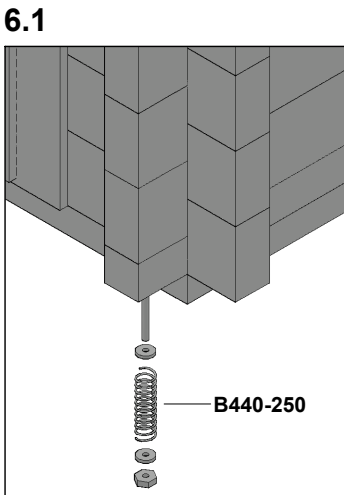
9

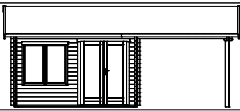
6



EN Pre drill screw holes!
FI Poraä ruuvien reiät etukäteen!
SV Förborra skruvhål!
ET Puurige kruvi augud ette!

EN Brackets for anchoring the canopy poles to the ground are not included. Adjust the length of the posts if necessary!
FI Kiinnikkeet katoksen pylväiden maahan ankkurointiin eivät sisälly toimitukseen. Säädä tarvittaessa pylväiden pituutta!
SV Fästen för att förankra takstolparna i marken ingår inte. Justera längden på stolparna vid behov!
ET Kinnitusvahendid ehitise postide kinnitamiseks pinnasesse ei kuulu komplekti. Vajaduse korral reguleerige postide pikkust!





700 x 380cm

761883



7

7.2

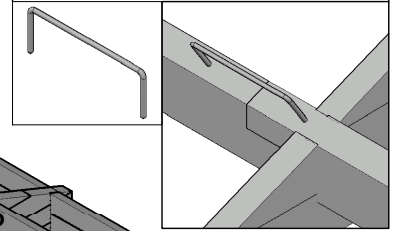
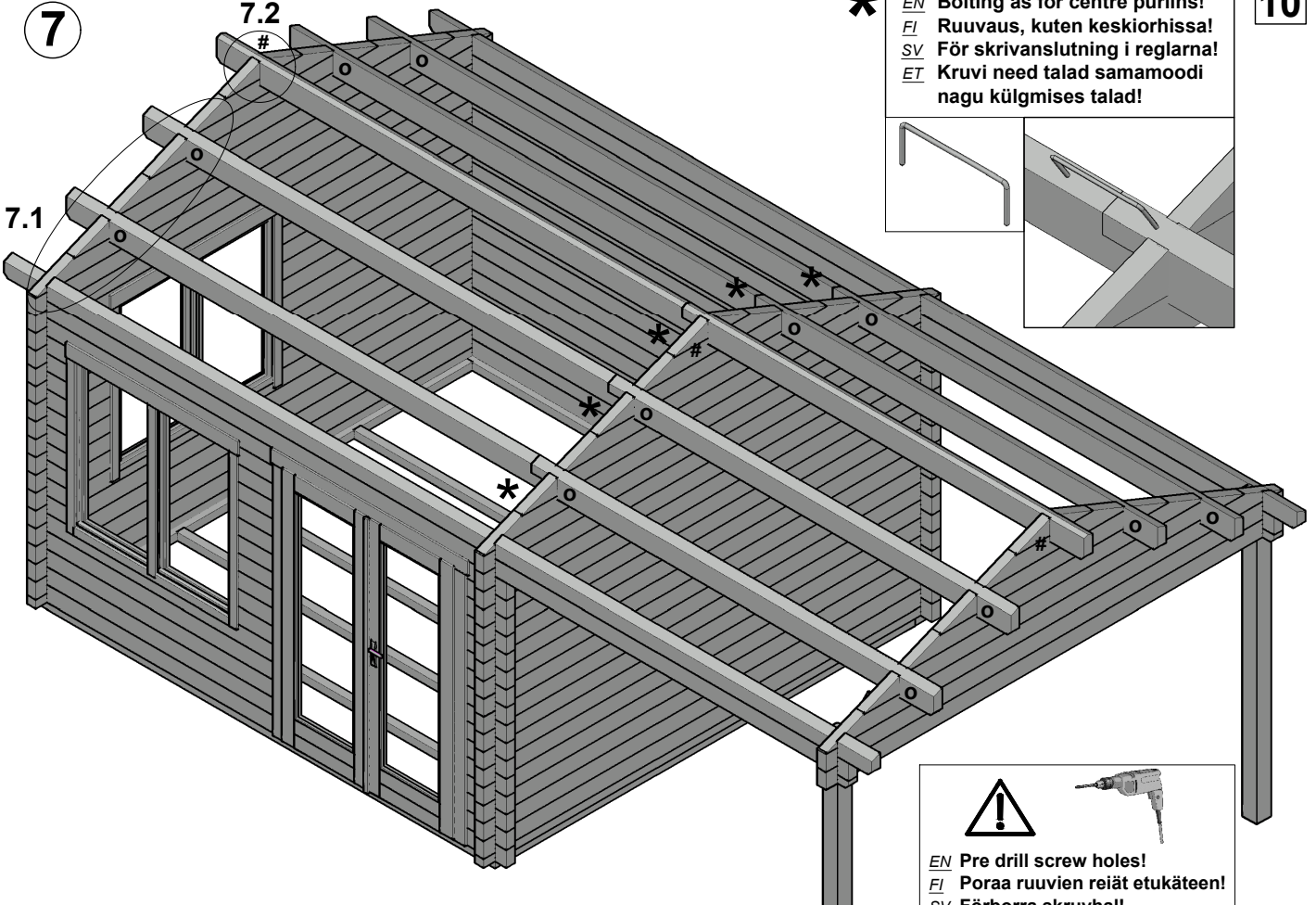
#

7.1



EN Bolting as for centre purlins!
FI Ruuvaus, kuten keskiorhissa!
SV För skrivanslutning i reglarna!
ET Kruvi need talad samamoodi nagu külgmises talad!

10



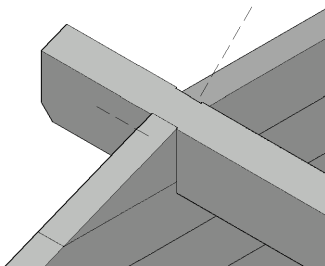


EN Pre drill screw holes!
FI Pora ruuvien reiät etukäteen!
SV Förborra skruvhål!
ET Puurige kruvi augud ette!

7.1 o

1.)

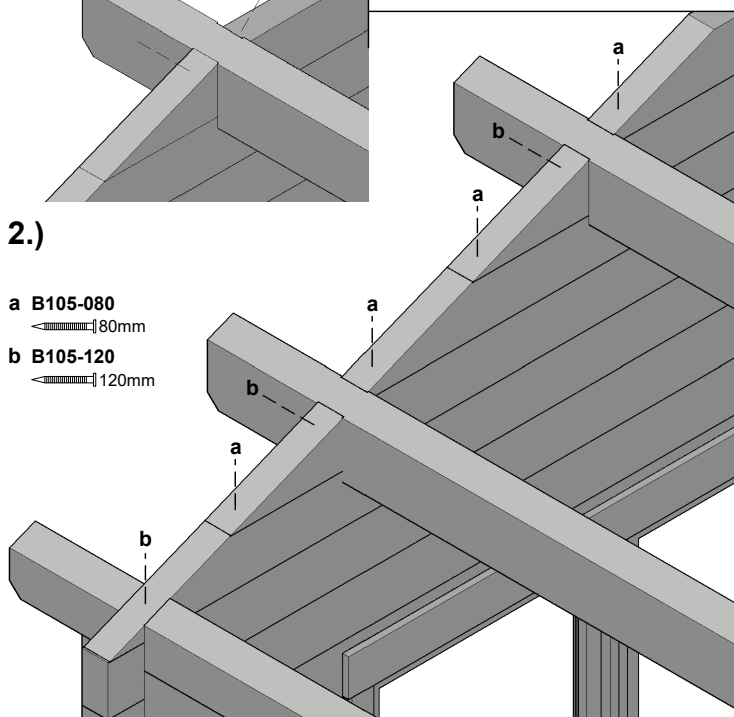
2 x B105-120
← 120mm



2.)

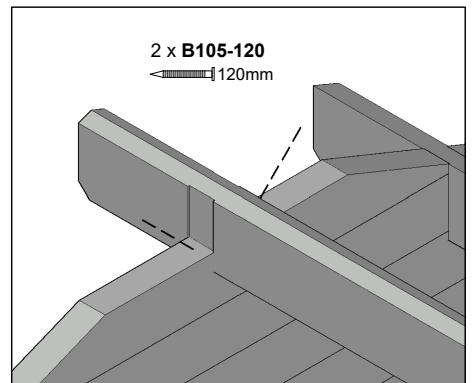
a B105-080
← 80mm

b B105-120
← 120mm



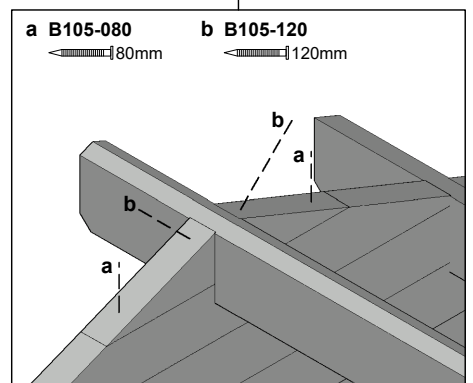
7.2 #

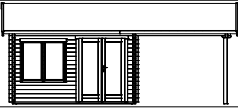
2 x B105-120
← 120mm



a B105-080
← 80mm

b B105-120
← 120mm





700 x 380cm

761883



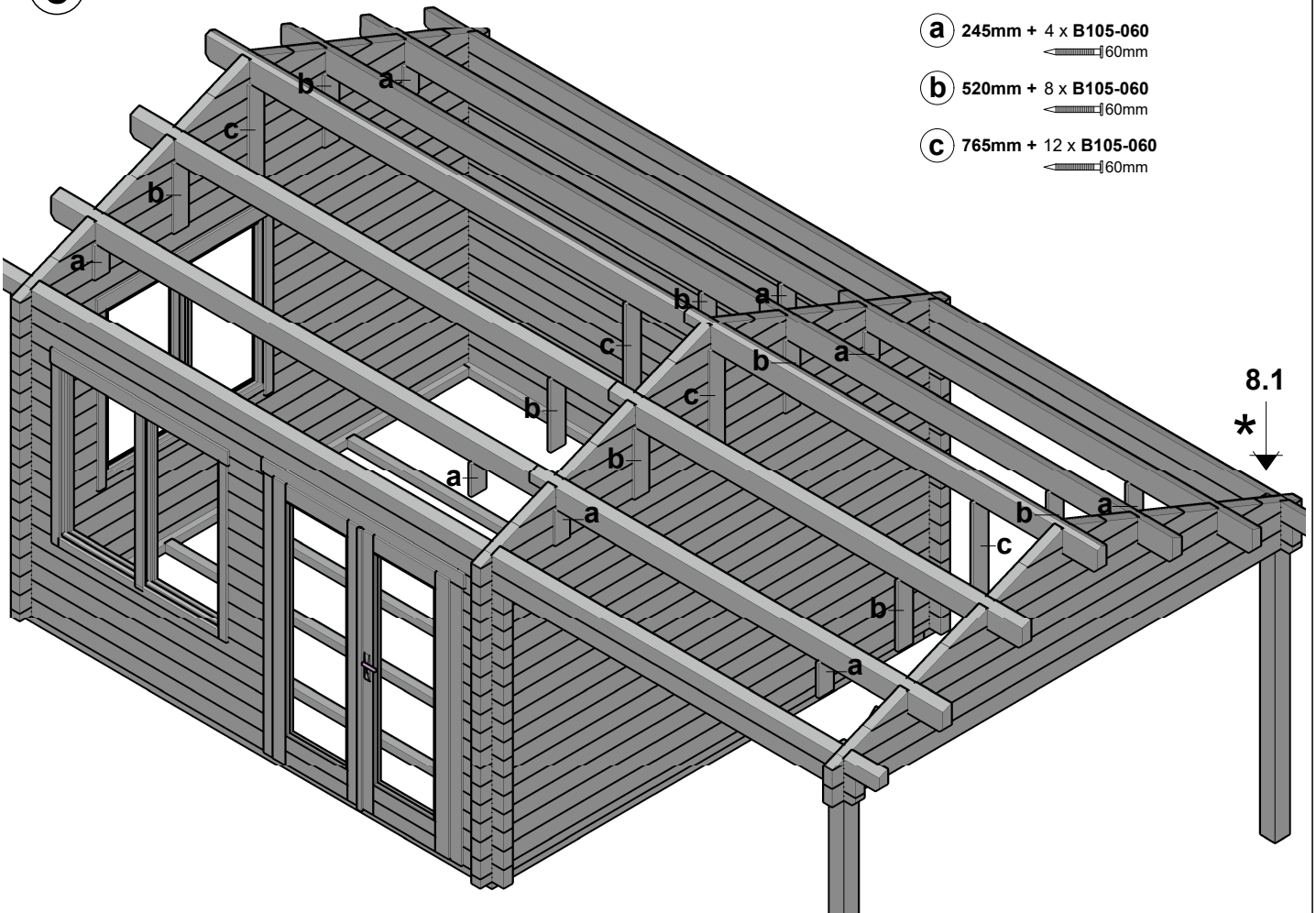
8

11

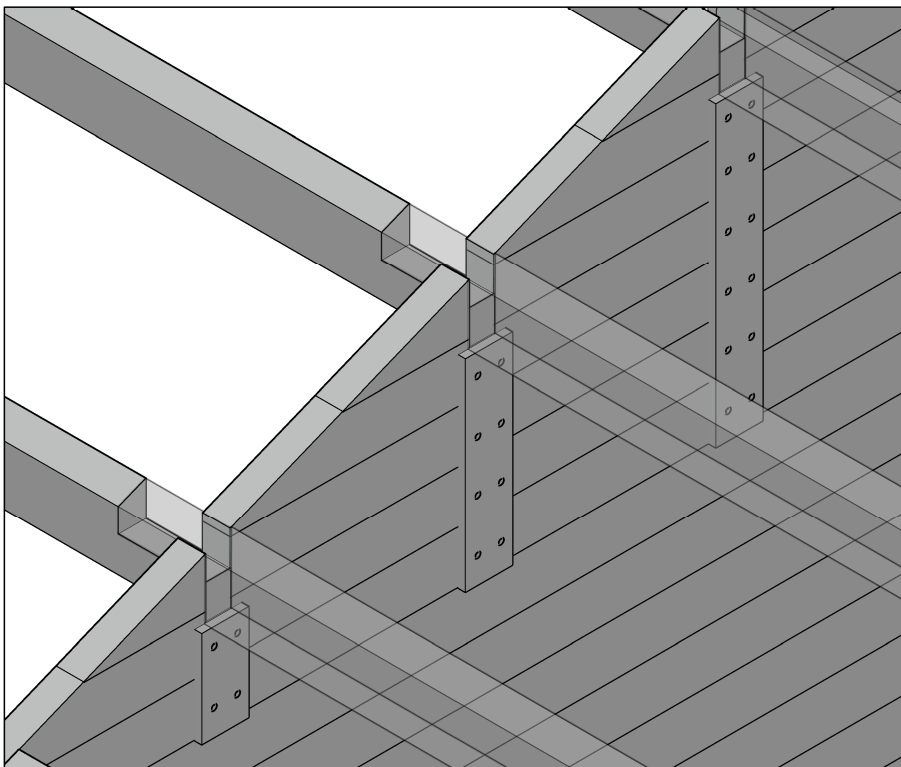
a 245mm + 4 x B105-060
← 60mm

b 520mm + 8 x B105-060
← 60mm

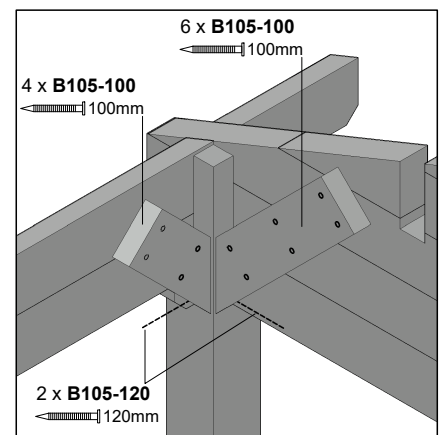
c 765mm + 12 x B105-060
← 60mm

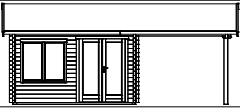


a + b + c



8.1 *





700 x 380cm

761883



12

9

28x121x2370mm+
4 / 9 x B105-060
← 60mm

#



#

25x55x2900mm+
68 x B105-040
← 40mm

28x121x2370mm+
4 / 9 x B105-060
← 60mm

25x55x2900mm+
68 x B105-040
← 40mm

9.2

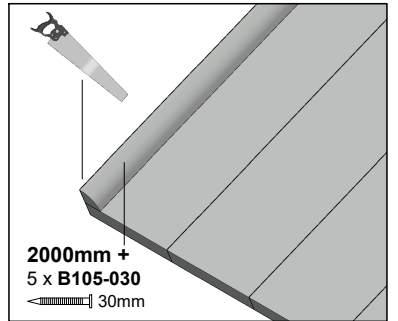
9.1

#

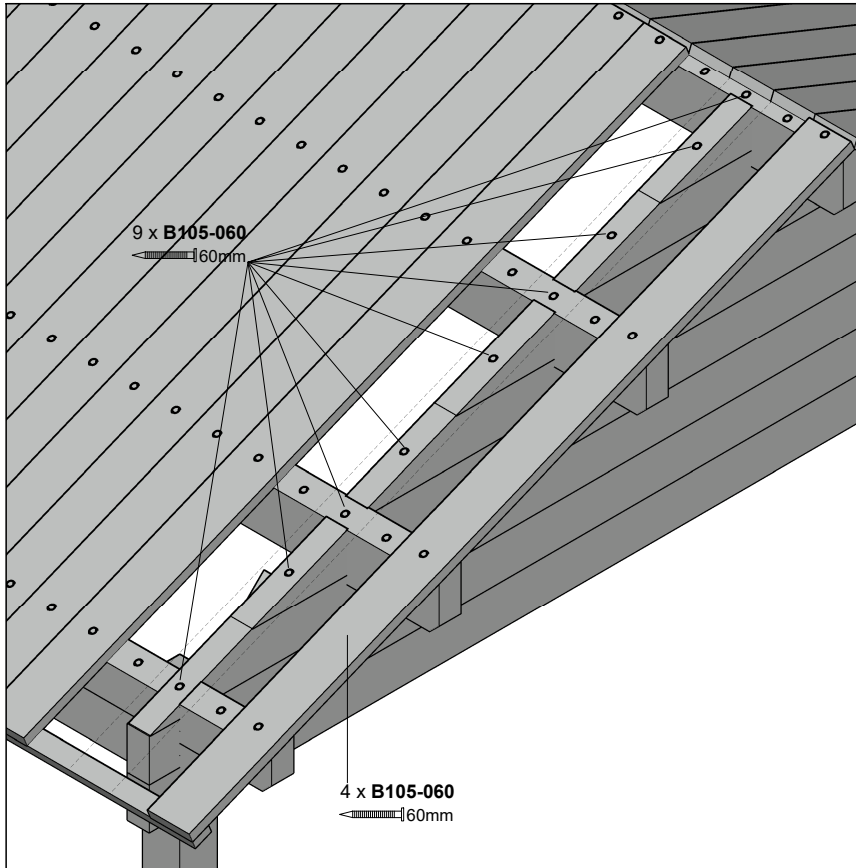


9.3

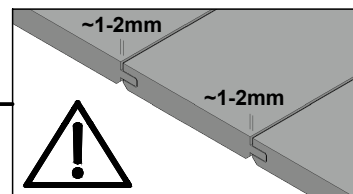
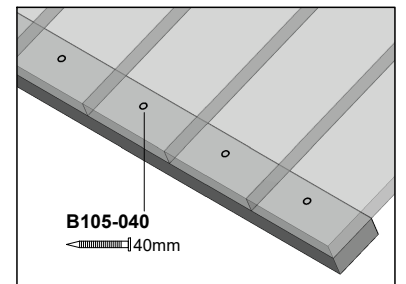
9.2 #

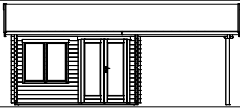


9.1



9.3





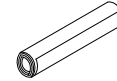
700 x 380cm

761883

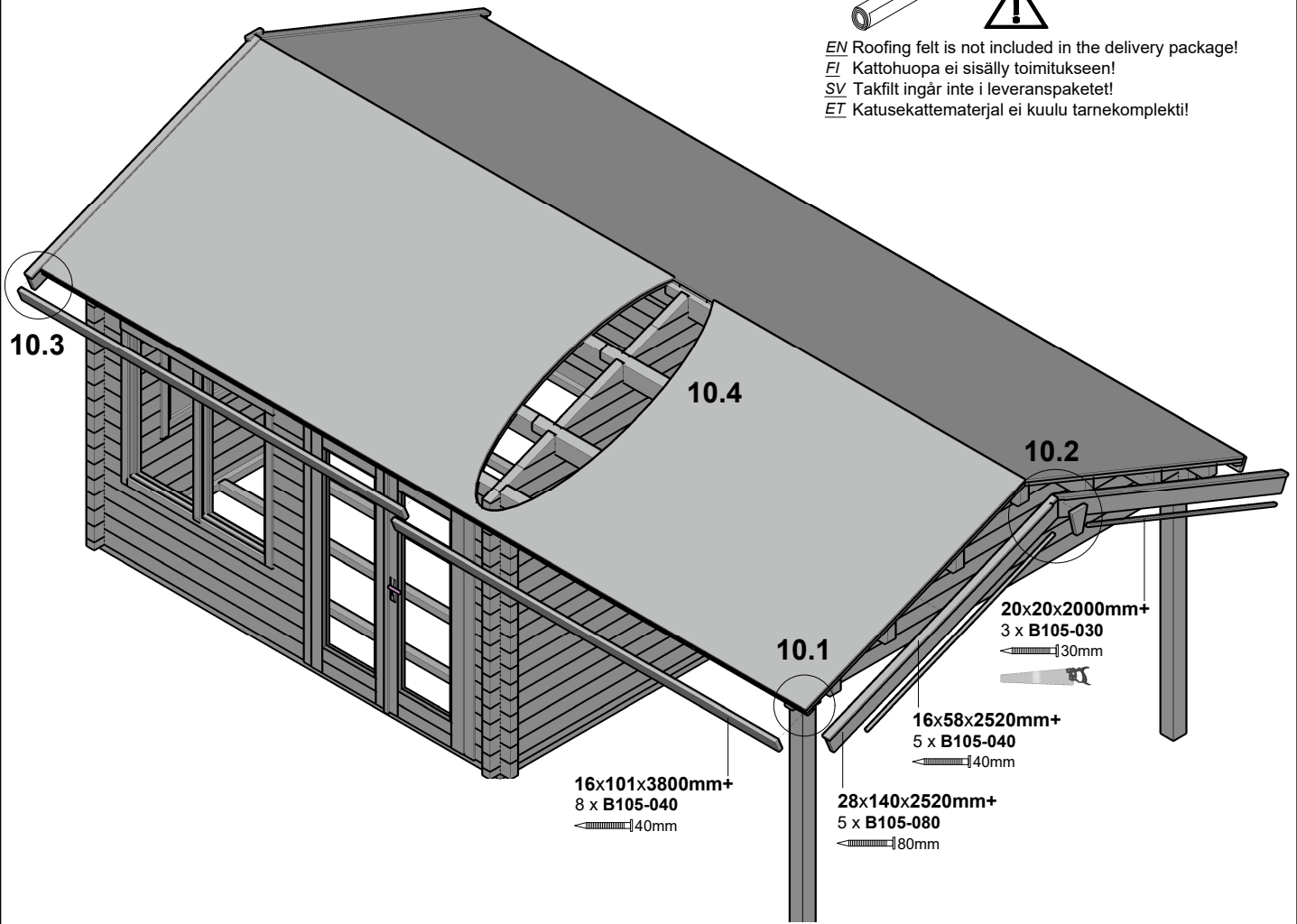


10

13



EN Roofing felt is not included in the delivery package!
 FI Kattohuopa ei sisälly toimitukseen!
 SV Takfilt ingår inte i leveranspaketet!
 ET Katusekattematerjal ei kuulu tarnekomplekti!



10.3

10.4

10.2

10.1

16x101x3800mm+
 8 x B105-040
 ← 40mm

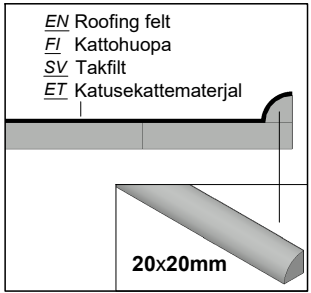
20x20x2000mm+
 3 x B105-030
 ← 30mm

16x58x2520mm+
 5 x B105-040
 ← 40mm

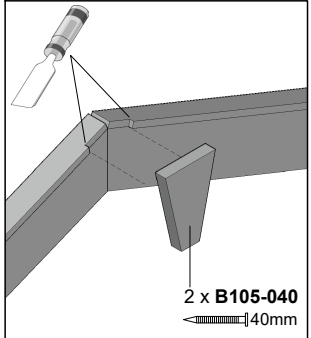
28x140x2520mm+
 5 x B105-080
 ← 80mm

10.1

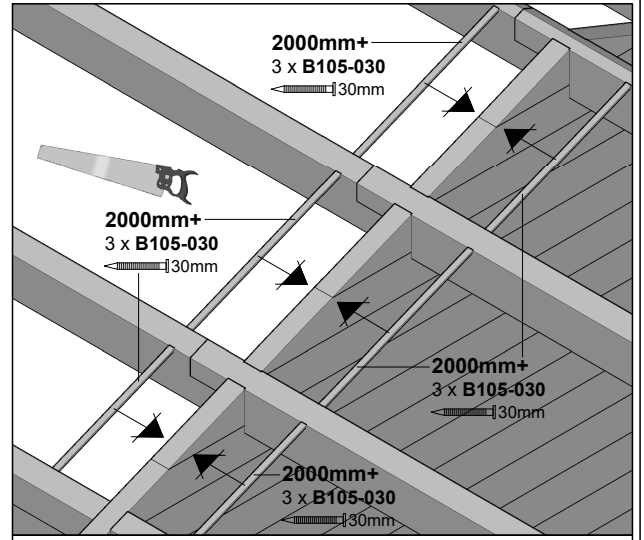
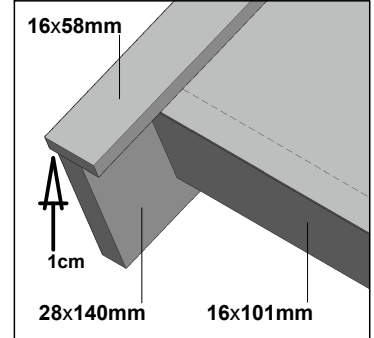
10.4



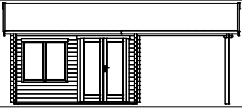
10.2



10.3



EN In all gables from inside and outside!
 FI Kaikissa päädyissä sisältä ja ulkoa!
 SV På alla gavlar inifrån och utifrån!
 ET Kõigil otsaseintel seest ja väljast!



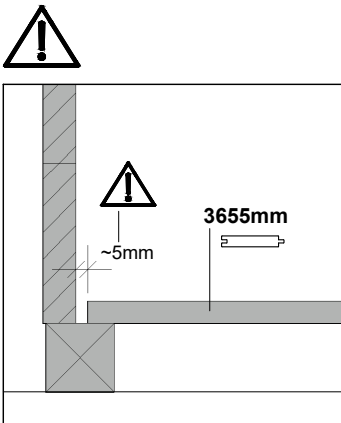
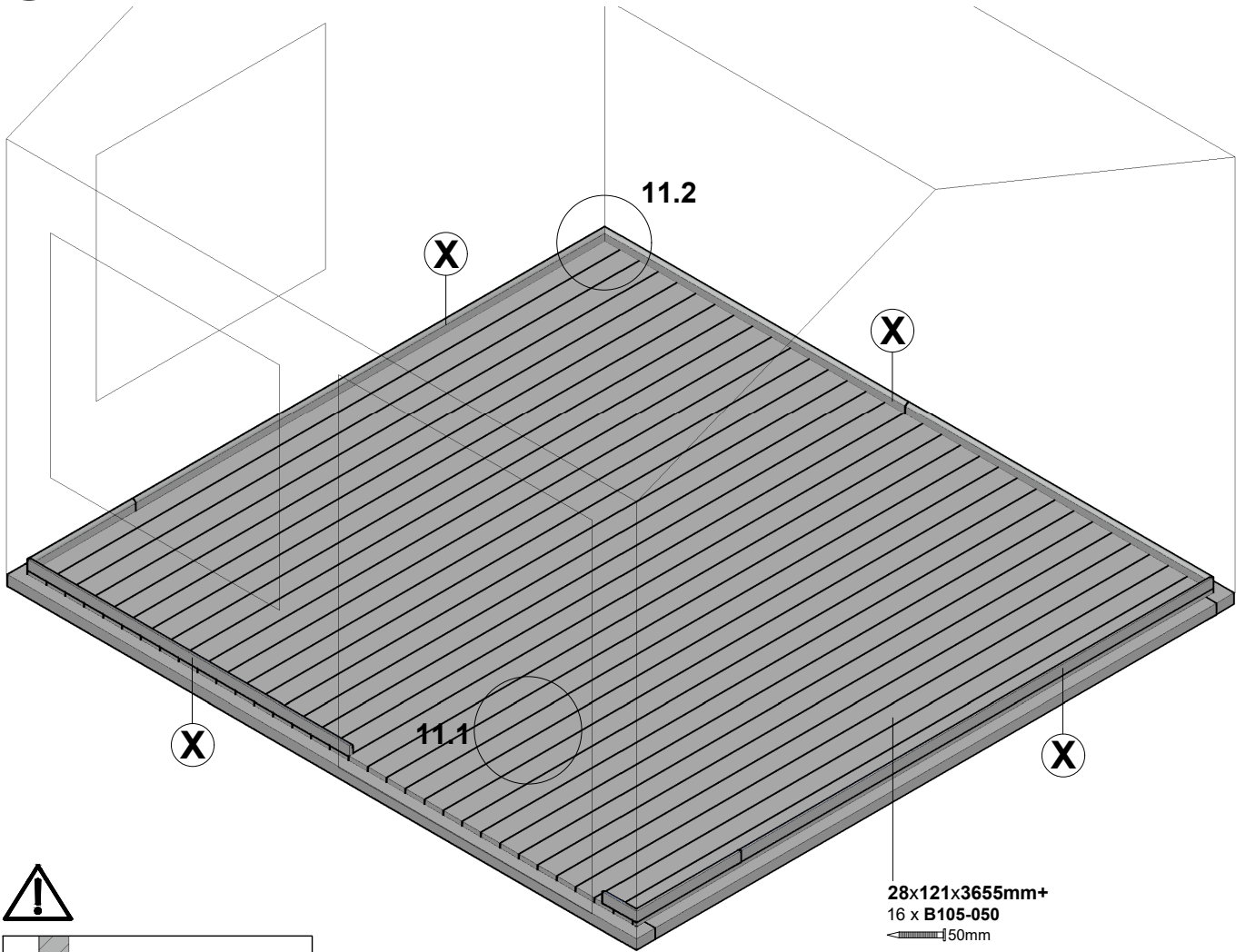
700 x 380cm

761883

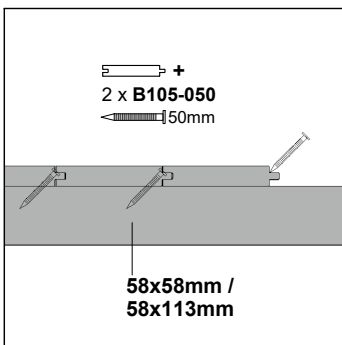


11

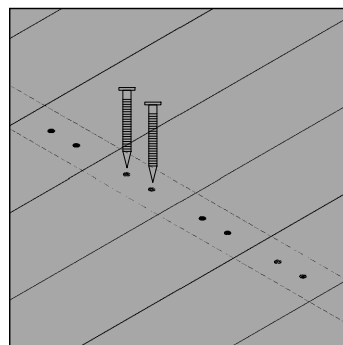
14



11.1



EN or
EI tai
SV eller
ET vöi



11.2

