

ECO320

LED



ECO320 is cost-effective IP44 luminaire range for general lighting for both public and residential premises. Two power options. Basic and PIR sensor motion models. Decorative rings as option from AVR320 range.

Move!

Ensto Luminaires and movement detection is a base for many Smart Solutions but operate perfectly as a standalone versions as well. Ensto Move! -luminaires use PIR or Radar technique, depending on your projects and demand.

DualWhite

Ensto luminaires with DualWhite -solution are equipped with integrated option for light colour temperature switching. You can easily switch between 3000K and 4000K which saves your SKUs and gives you possibility to change colour temperature according to project, with one luminaire.



Dual White

1 Luminaire,
2 Colour temperatures



"Affordable, easy and fast option when price is important."



ECO320 + AVL46



ECO320 + AVL58



Structure

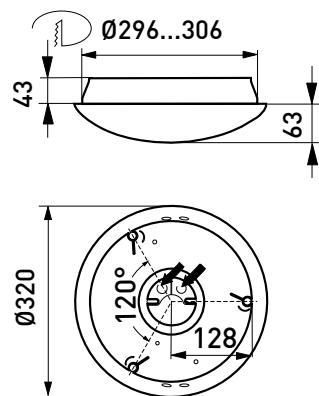
- Diffuser opal polycarbonate
- Body polycarbonate
- Models:
 - 10W, luminaire luminous flux 1047 lm (3000 K), 1082 lm (4000 K),
 - 14W, luminaire luminous flux 1466 lm (3000 K), 1514 lm (4000 K),
 - 3000 K or 4000 K selected from circuit board connector under diffuser,
 - Ra > 80, power factor 0,97,
 - Ambient temperature - 20 °C - + 25 °C
- LED module lifespan $T_a=25\text{ °C}$:
 - >100 000 h (L70)
 - 100 000 h (L80)
 - 50 000 h (L90)
- LED driver lifetime $T_a=25\text{ °C}$:
 - 100 000 h (max. 10 % failure rate)

Control

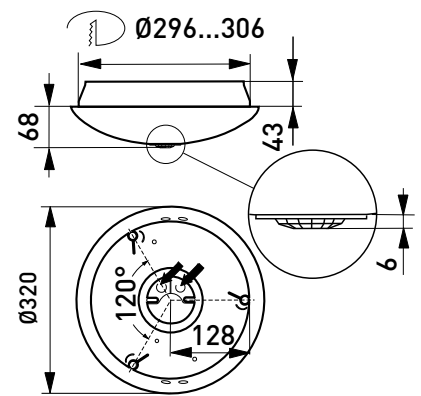
- ECO320 PIR-type of luminaires are sensor luminaires equipped with infra-red motion sensor (PIR) in which are settings for time (1-30 min.), sensitivity and twilight switch function.

Mounting

- To the ceiling and to the wall or partly recessed
 - Recess depth 43 mm, recess hole \varnothing 306 mm, diffuser diameter \varnothing 320 mm
 - Snap-in terminal block $3 \times 2,5\text{ mm}^2$ with through wiring, PIR-models -o- $4/5 \times 2,5\text{ mm}^2$
 - Sensor luminaire models see more accurate information at WEB-site
- PIR-models:
- To the ceiling max. 4 meters height
 - To the wall max. 2,7 meters height
- Suitable for stand-alone and master-slave installation
- Maximum load behind one master is 400VA, however max. 5 luminaires in the same control group
- Slave luminaires from the Ensto basic luminaire range.
- Special attention is paid to easy to install. Patented center plate with Bajonet fixing makes the installation work easy both in wall and ceiling installations.



ECO320



ECO320 PIR-sensor luminaire

E number	Type	Product name	Base	Kg	Luminous flux	Additional information
ECO320 LED luminaire with electronic control gear						
41 173 25	ECO320.110L/DW	ECO320 IP44 10W 830/840	LED	1,3	1082 lm	
41 173 28	ECO320.114L/DW	ECO320 IP44 14W 830/840	LED	1,2	1514 lm	
ECO320 LED PIR-sensor luminaire with electronic control gear						
41 173 23	ECO320.1104L/DW	ECO320 IP44 10W 830/840 PIR	LED	1,4	1082 lm	
41 173 26	ECO320.1144L/DW	ECO320 IP44 14W 830/840 PIR	LED	1,2	1514 lm	