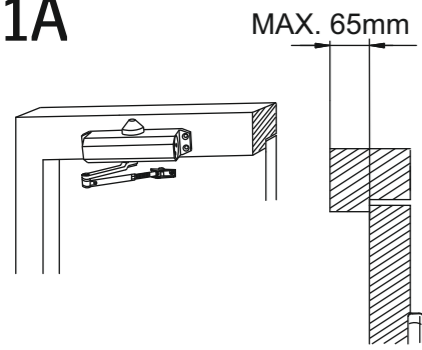
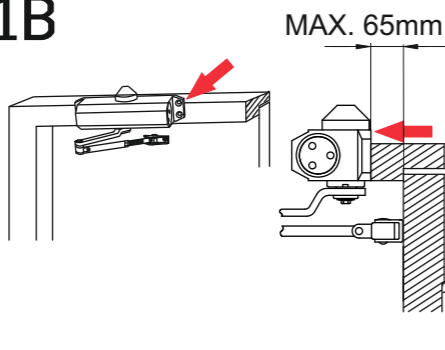
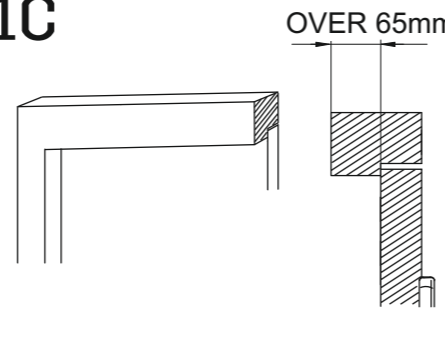


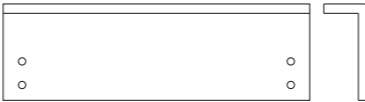
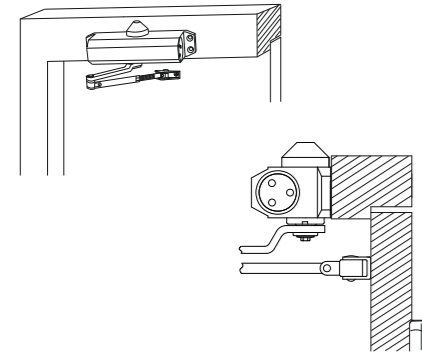
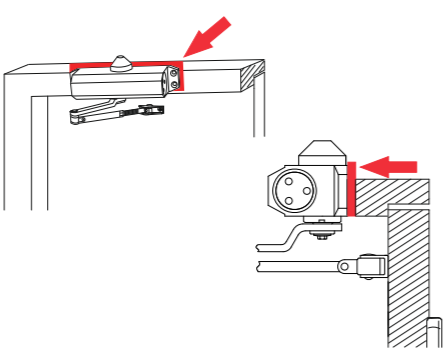
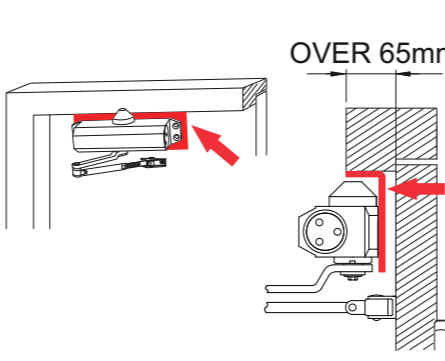
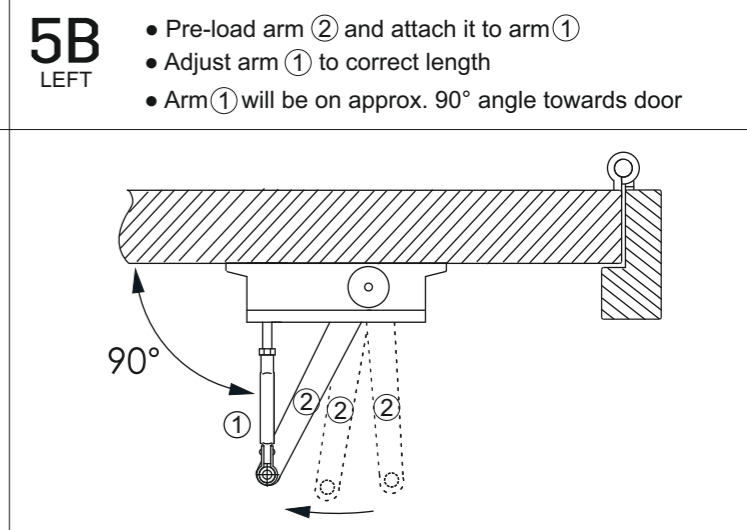
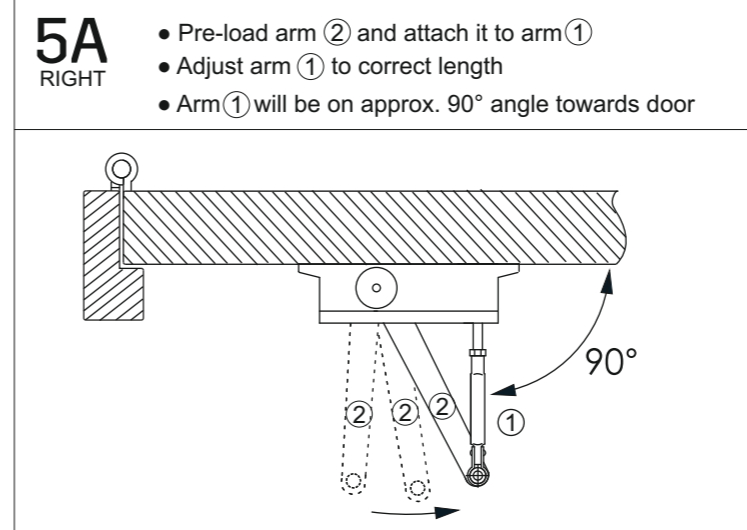
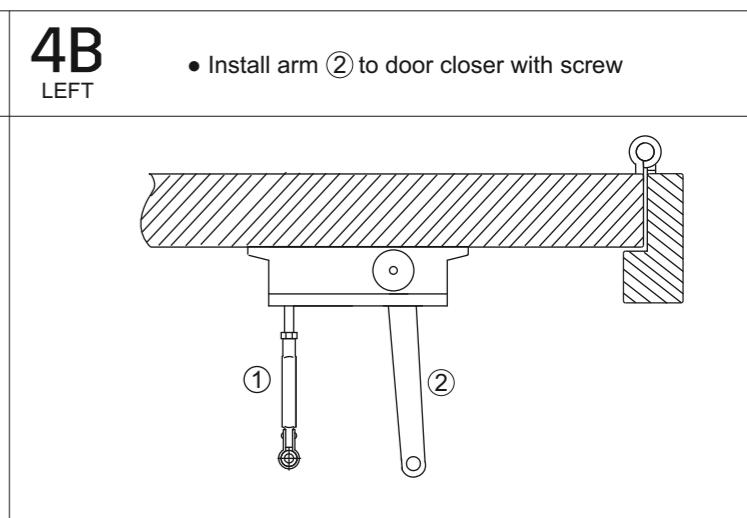
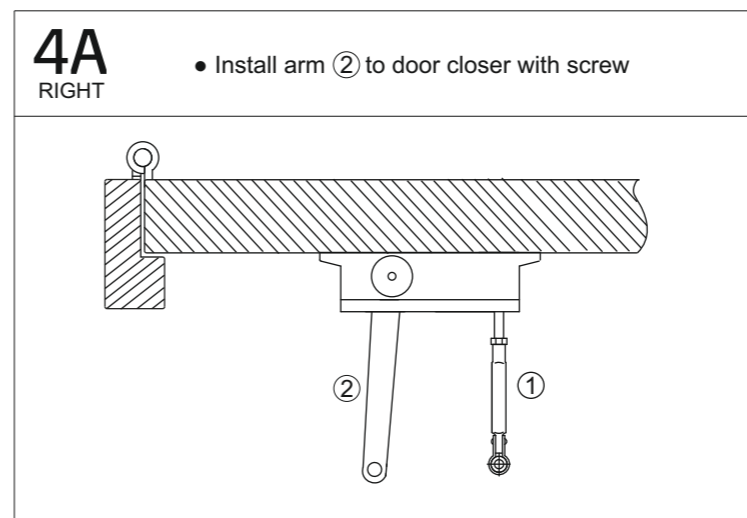
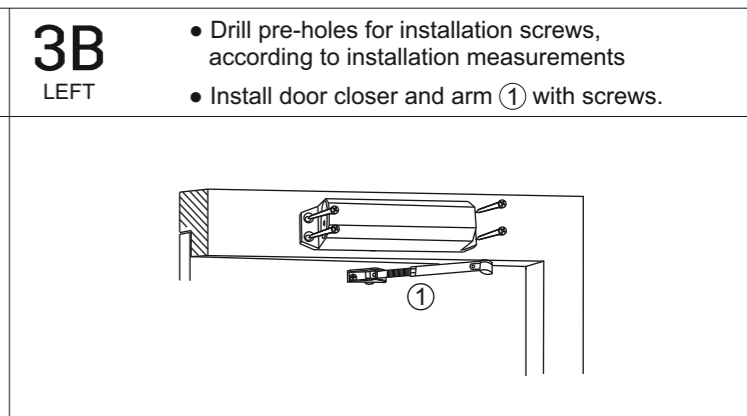
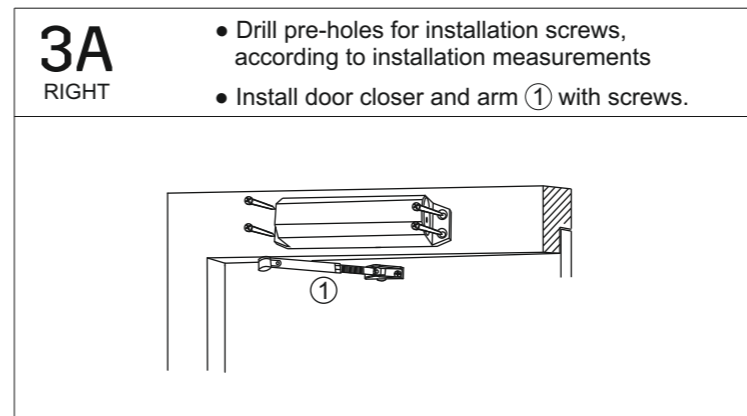
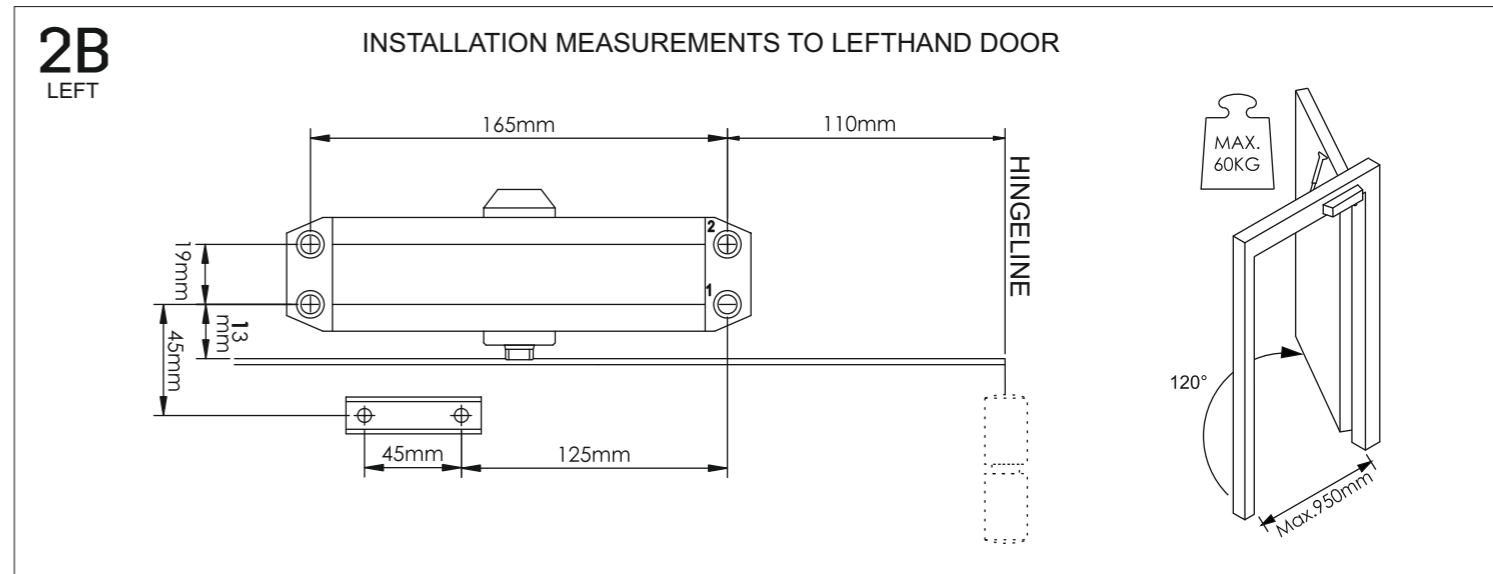
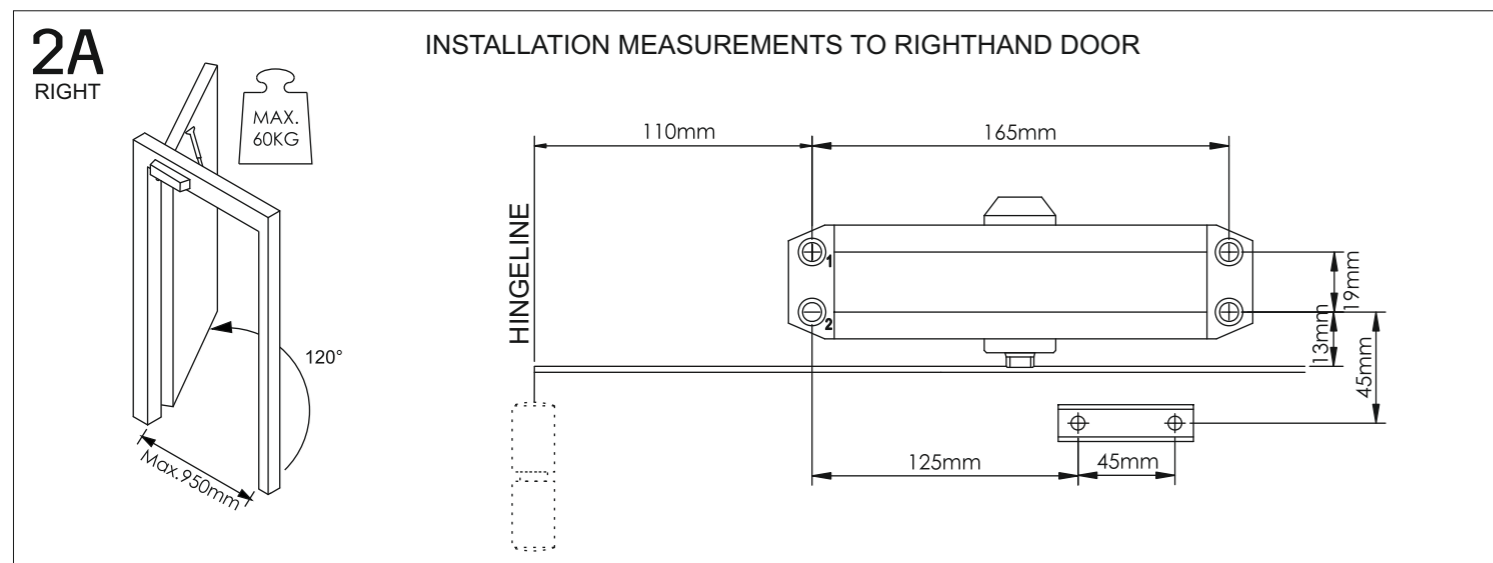


DC-0058 DOOR CLOSER INSTALLATION INSTRUCTION: DOOR INSTALLATION TO CLOSING SIDE OF THE DOOR (PUSH SIDE)

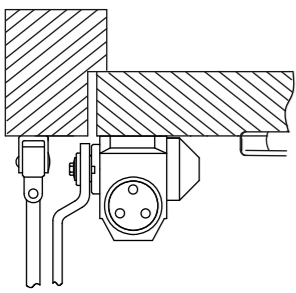
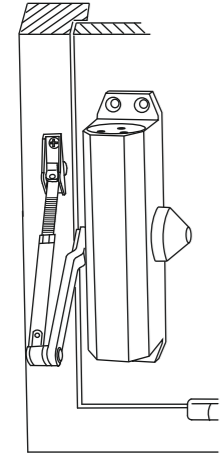
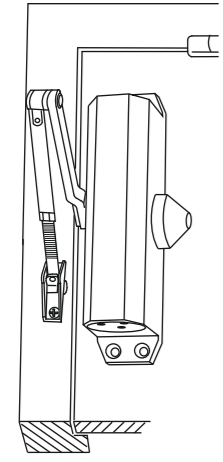
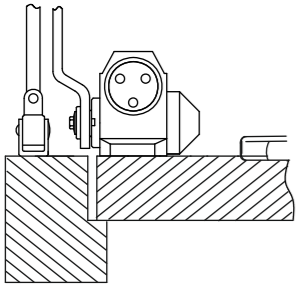
1. THREE METHODS FOR TOP JAMB INSTALLATION, DEPENDING ON DOOR AND FRAME/TOP JAMB.
CHOOSE SUITABLE METHOD FROM EXAMPLES ON BELOW.
MOUNTING PLATE (ART.501539671) OR ANGLED MOUNTING PLATE (ART.501539672) MIGHT BE NECESSARY.
MOUNTING PLATE AND ANGLED MOUNTING PLATE ARE SOLD SEPERATELY.

<ul style="list-style-type: none"> • Depth gap between door and top jamb is under 65mm • Top jamb has enough vertical space to install door closer 	<ul style="list-style-type: none"> • Depth gap between door and top jamb is under 65mm • Top jamb does not have enough vertical space 	<ul style="list-style-type: none"> • Depth gap between door and top jamb is over 65mm • Do not want to detach and/or cut cover strip on top jamb, like on example 1A and 1B
<p>1A</p> 	<p>1B</p> 	<p>1C</p> 
<p>No need for mounting plate</p> 	<p>DC 0058 mounting plate Article No: 501539671</p> 	<p>DC 6266 angled mounting plate Article No: 501539672</p> 
<ul style="list-style-type: none"> • Door closer installation to top jamb 	<ul style="list-style-type: none"> • Mounting plate installation to top jamb by wood screws. • Door closer installation to mounting plate by M5X15 screws. 	<ul style="list-style-type: none"> • Angled mounting plate installation to top jamb by wood screws. • Door closer installation to angled mounting plate by M5X15 screws. 



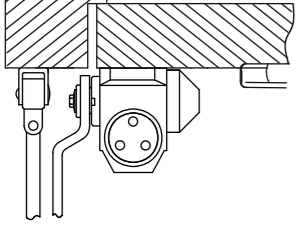
DC-0058 DOOR CLOSER INSTALLATION INSTRUCTION: DOOR INSTALLATION TO OPENING SIDE (PULL SIDE).

1A
RIGHT



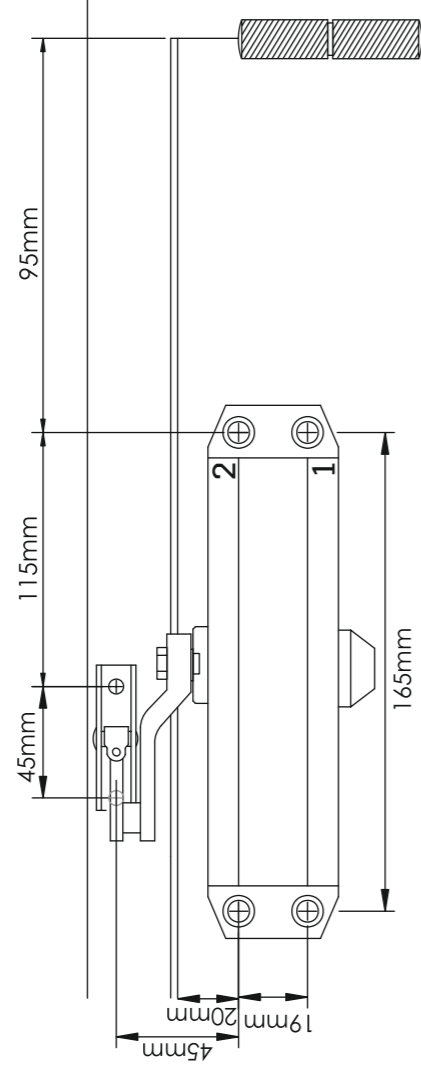
Installation to
righthand door

1B
LEFT

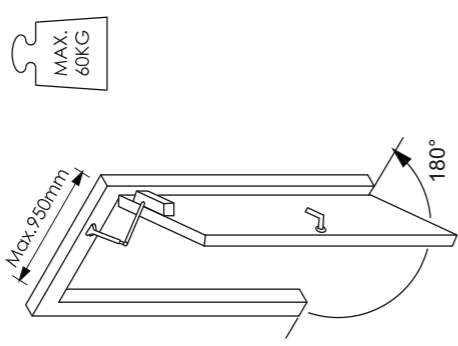


Installation to
lefthand door

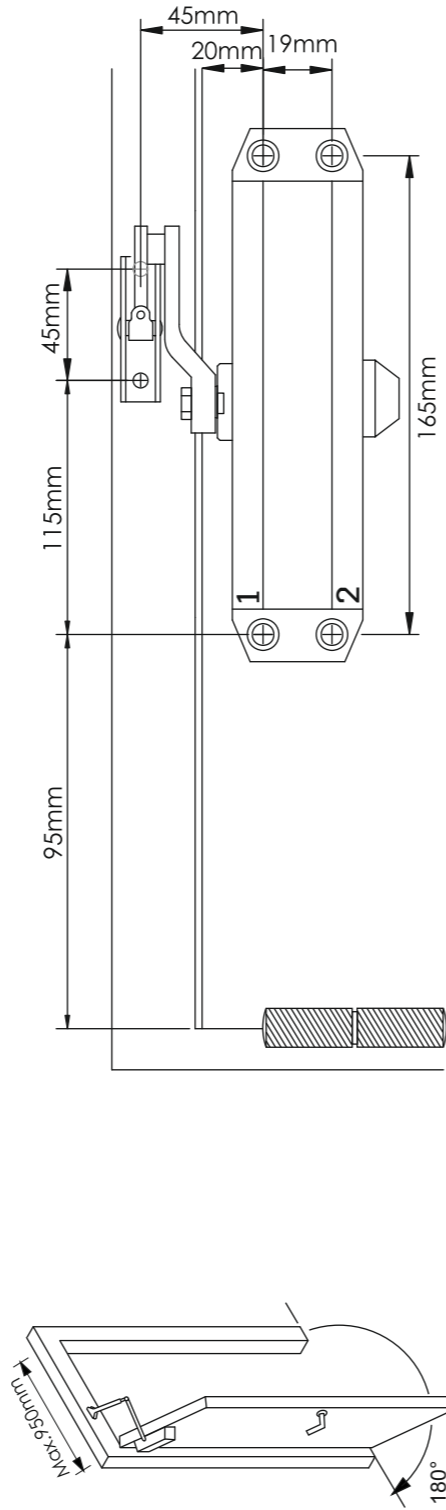
2A
RIGHT



Installation
measurements to
righthand door

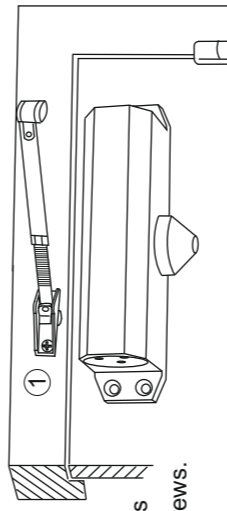


2B
LEFT



Installation
measurements to
lefthand door

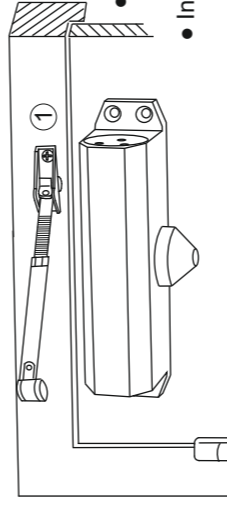
3A
RIGHT



- Drill pre-holes for installation screws according to installation measurements
- Install door closer and arm ① with screws.

Installation to
righthand door

3B
LEFT

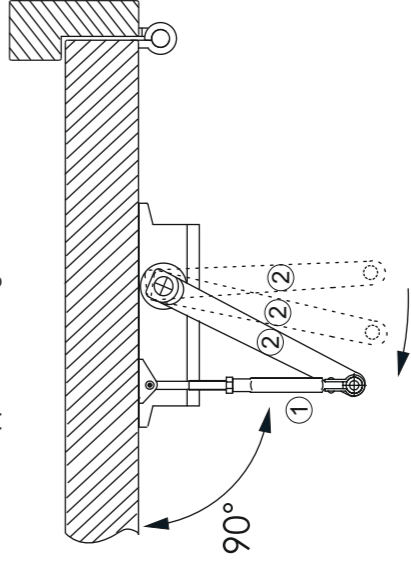


- Drill pre-holes for installation screws according to installation measurements
- Install door closer and arm ① with screws.

Installation to
lefthand door

4A
RIGHT

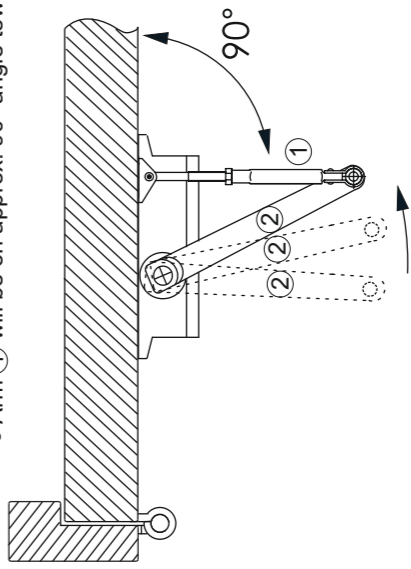
- Install arm ② to door closer with screw
- Pre-load arm ② and attach it to arm ①
- Adjust arm ① to correct length
- Arm ① will be on approx. 90° angle towards door



Installation to
righthand door

4B
LEFT

- Install arm ② to door closer with screw
- Pre-load arm ② and attach it to arm ①
- Adjust arm ① to correct length
- Arm ① will be on approx. 90° angle towards door



Installation to
lefthand door

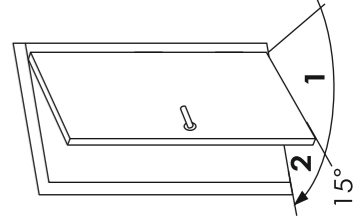
Adjusting door closer

DC-0058 door closer includes following adjustments:

- Closing speed (1)
- Latching (2)

Adjust closing speed (1) so that door closes on control, not too fast.

Adjust latching (2) so that door closes and latches properly.

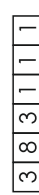


DOOR CLOSER DC-0058

EN 3
MAX. 60KG DOORS



EN 1154



+ Faster
- Slower
!! NOTICE that screws will not come out !!

Installation to door closing side (pull side). Next page ▶▶▶